



US00D615892S

(12) **United States Design Patent**
Valentine et al.

(10) **Patent No.:** **US D615,892 S**

(45) **Date of Patent:** **** May 18, 2010**

(54) **FLOW METER**

(75) Inventors: **Andrew Valentine**, Raleigh, NC (US);
Michael Page, Cary, NC (US)

(73) Assignee: **Sensus USA Inc.**, Raleigh, NC (US)

(**) Term: **14 Years**

(21) Appl. No.: **29/338,548**

(22) Filed: **Jun. 12, 2009**

(51) **LOC (9) Cl.** **10-04**

(52) **U.S. Cl.** **D10/96**

(58) **Field of Classification Search** D10/96;
73/201, 273, 204.21, 861.63, 861.64, 861.351-861.357
See application file for complete search history.

(56) **References Cited**

U.S. PATENT DOCUMENTS

D536,272 S * 2/2007 Colin D10/101

* cited by examiner

Primary Examiner—Antoine D Davis

(74) *Attorney, Agent, or Firm*—Oblon, Spivak, McClelland,
Maier & Neustadt, L.L.P.

(57) **CLAIM**

The ornamental design for a flow meter, as shown and described.

DESCRIPTION

FIG. 1 is a front, top, and left side perspective view of a flow meter;

FIG. 2 is a rear elevational view thereof;

FIG. 3 is a front elevational view thereof;

FIG. 4 is a left side elevational view thereof;

FIG. 5 is a top plan view thereof;

FIG. 6 is a right side elevational view thereof; and,

FIG. 7 is a bottom plan view thereof.

1 Claim, 7 Drawing Sheets

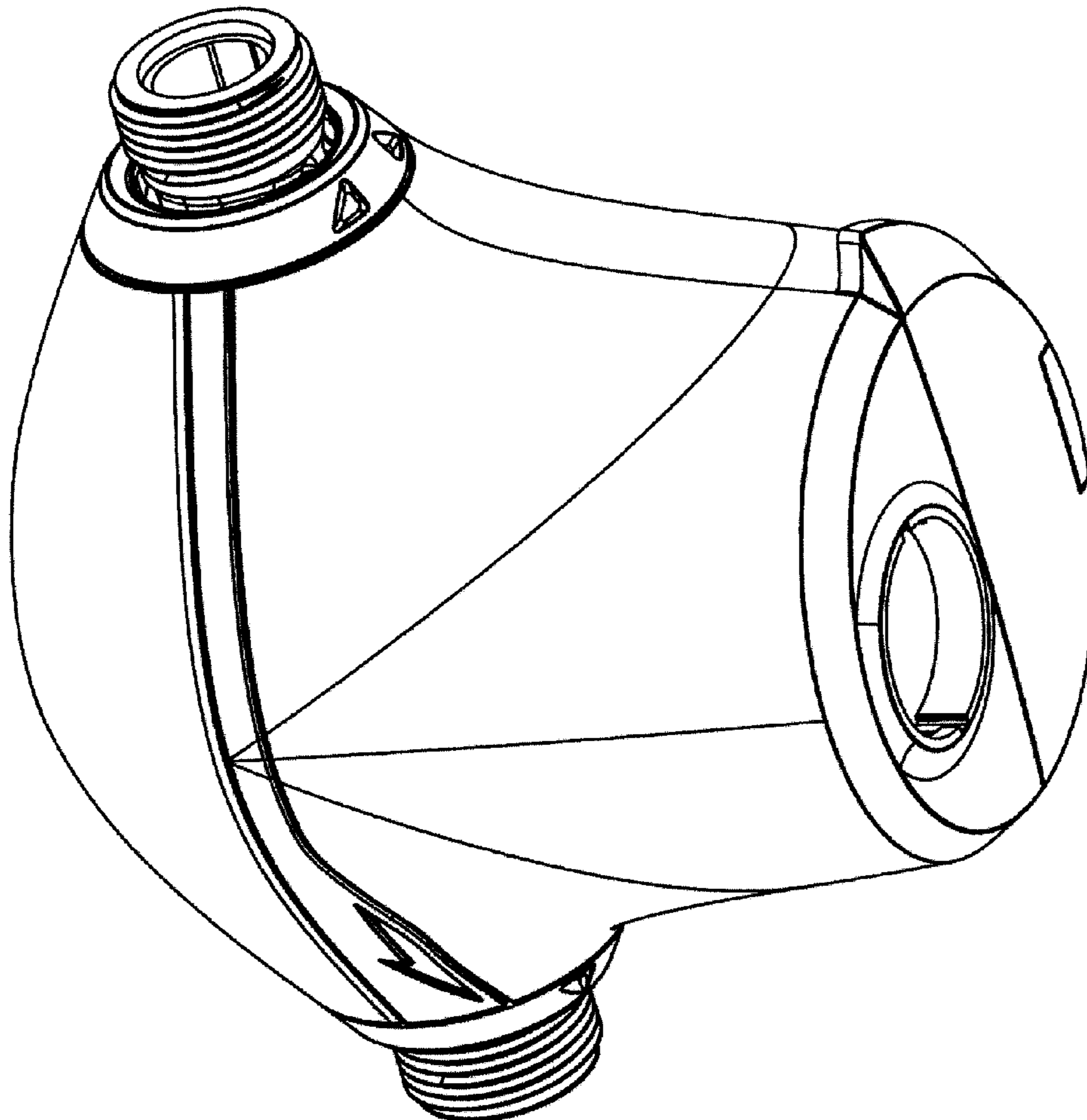


Fig. 1

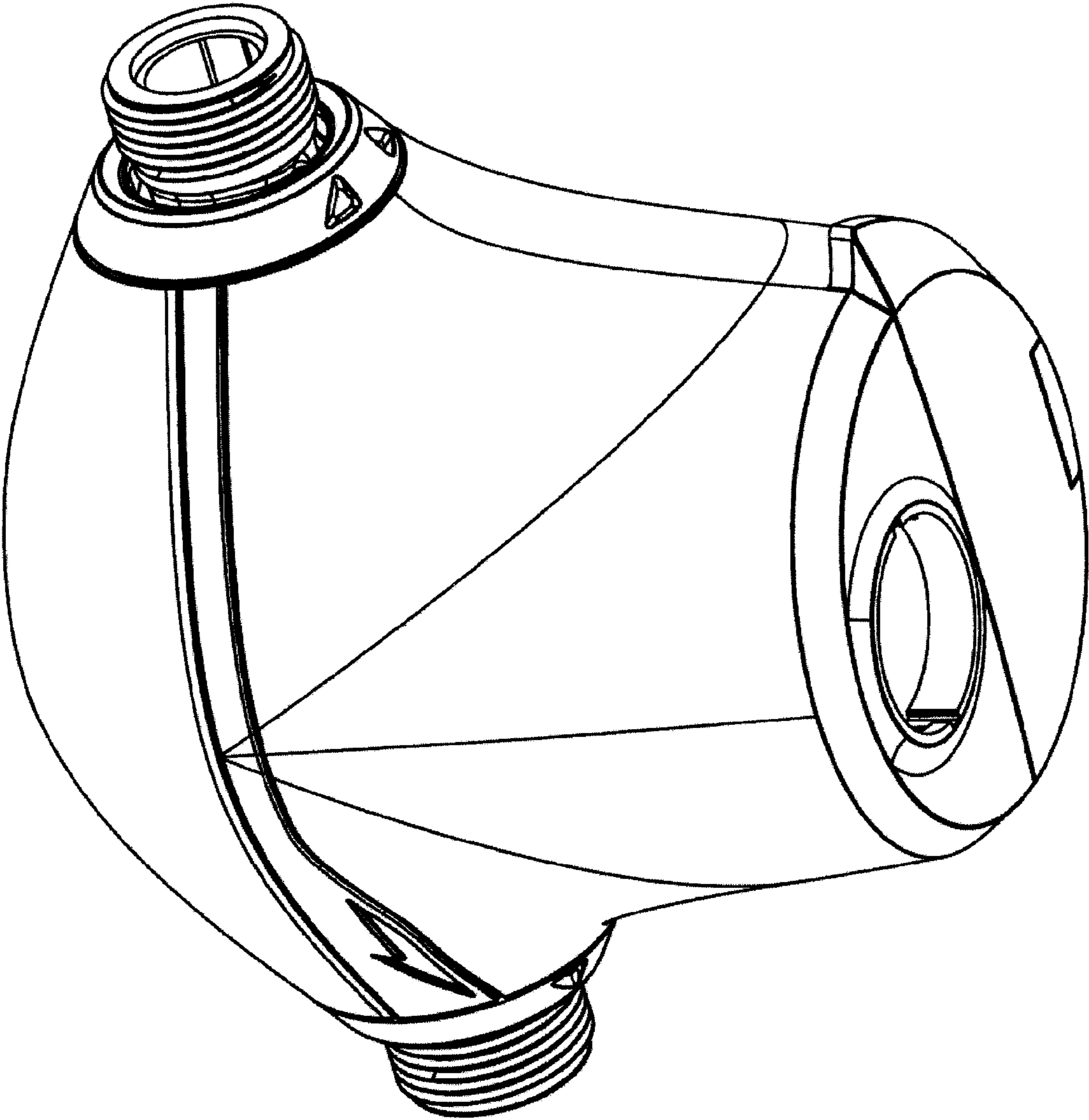


Fig. 2

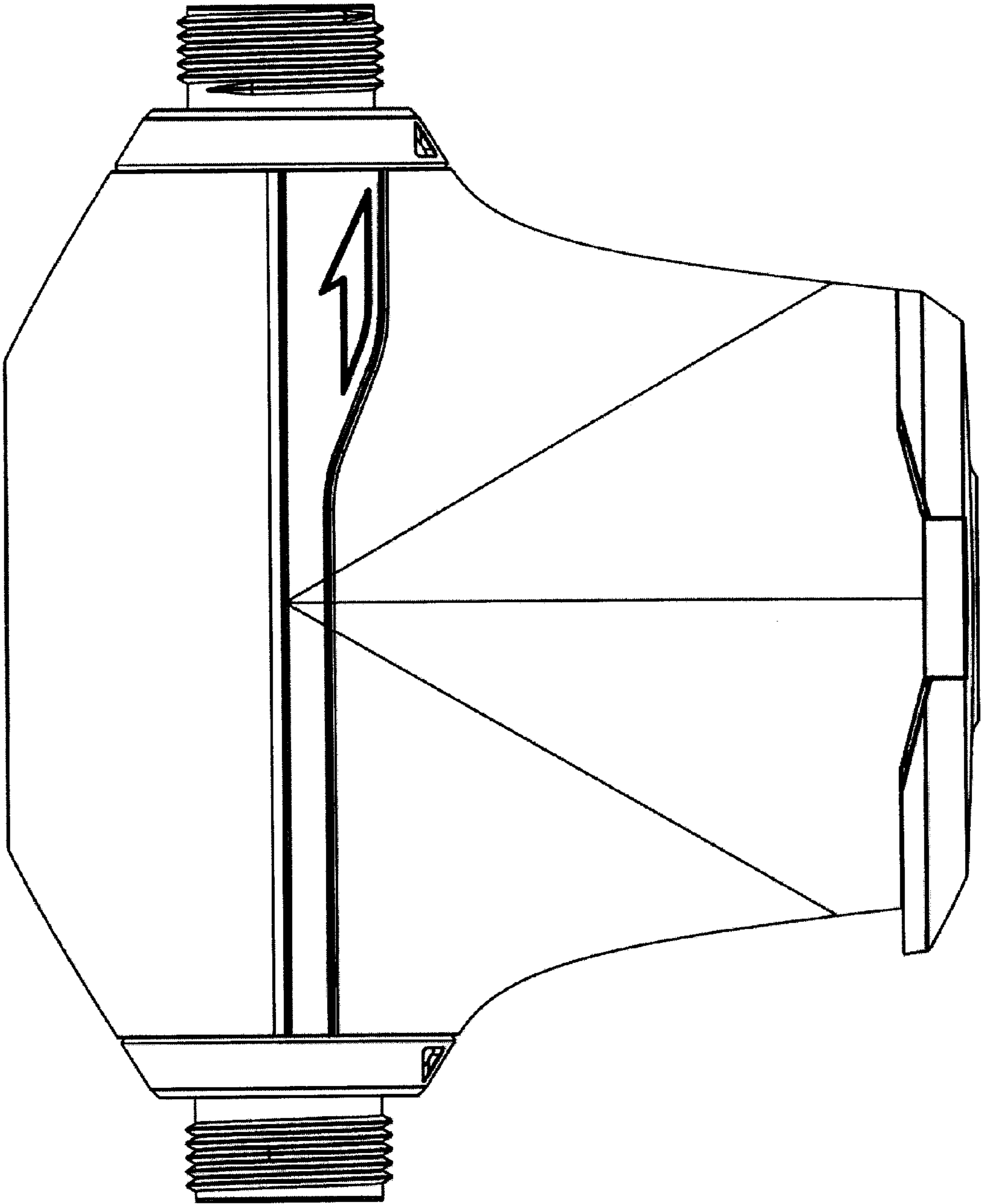


Fig. 3

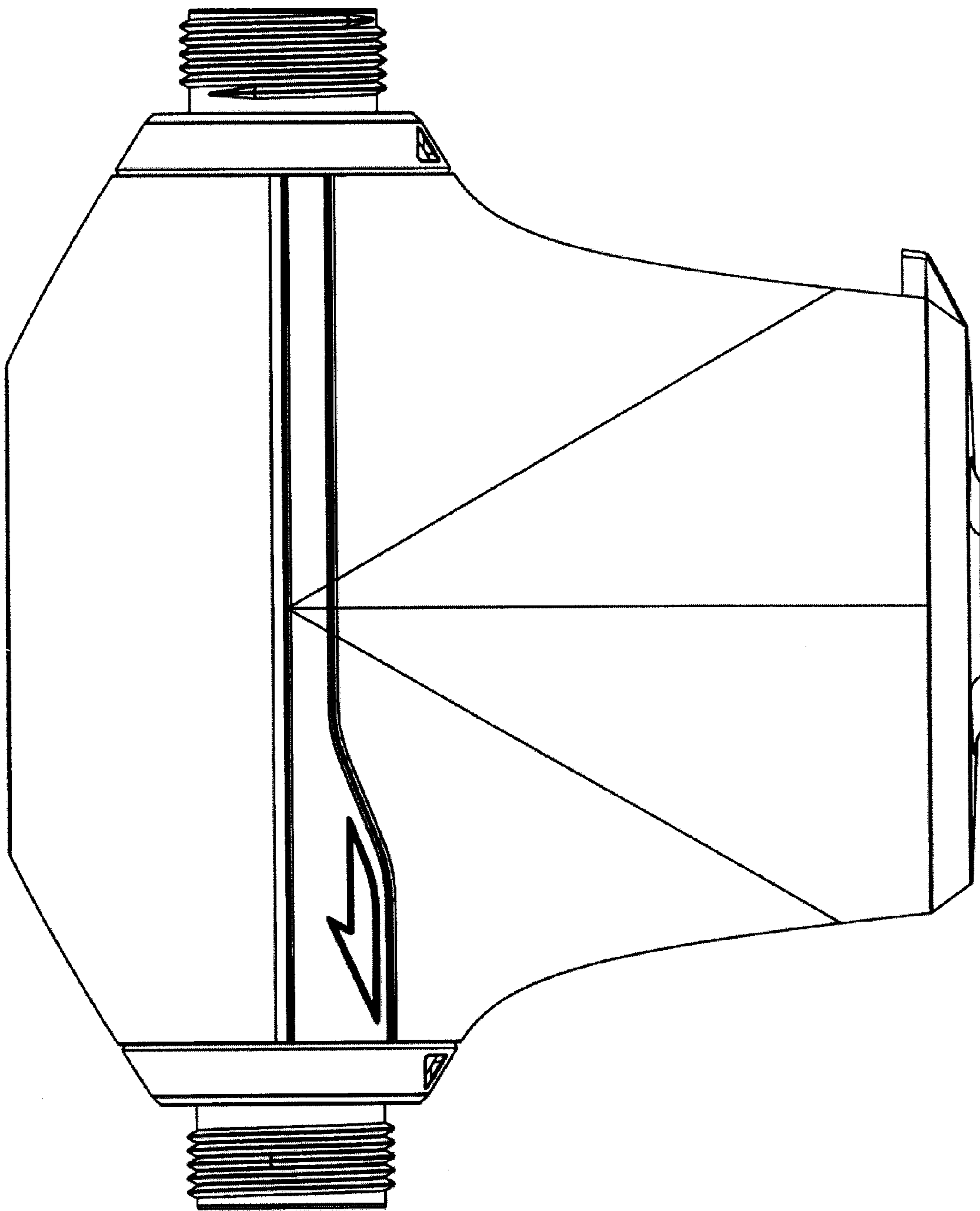


Fig. 4

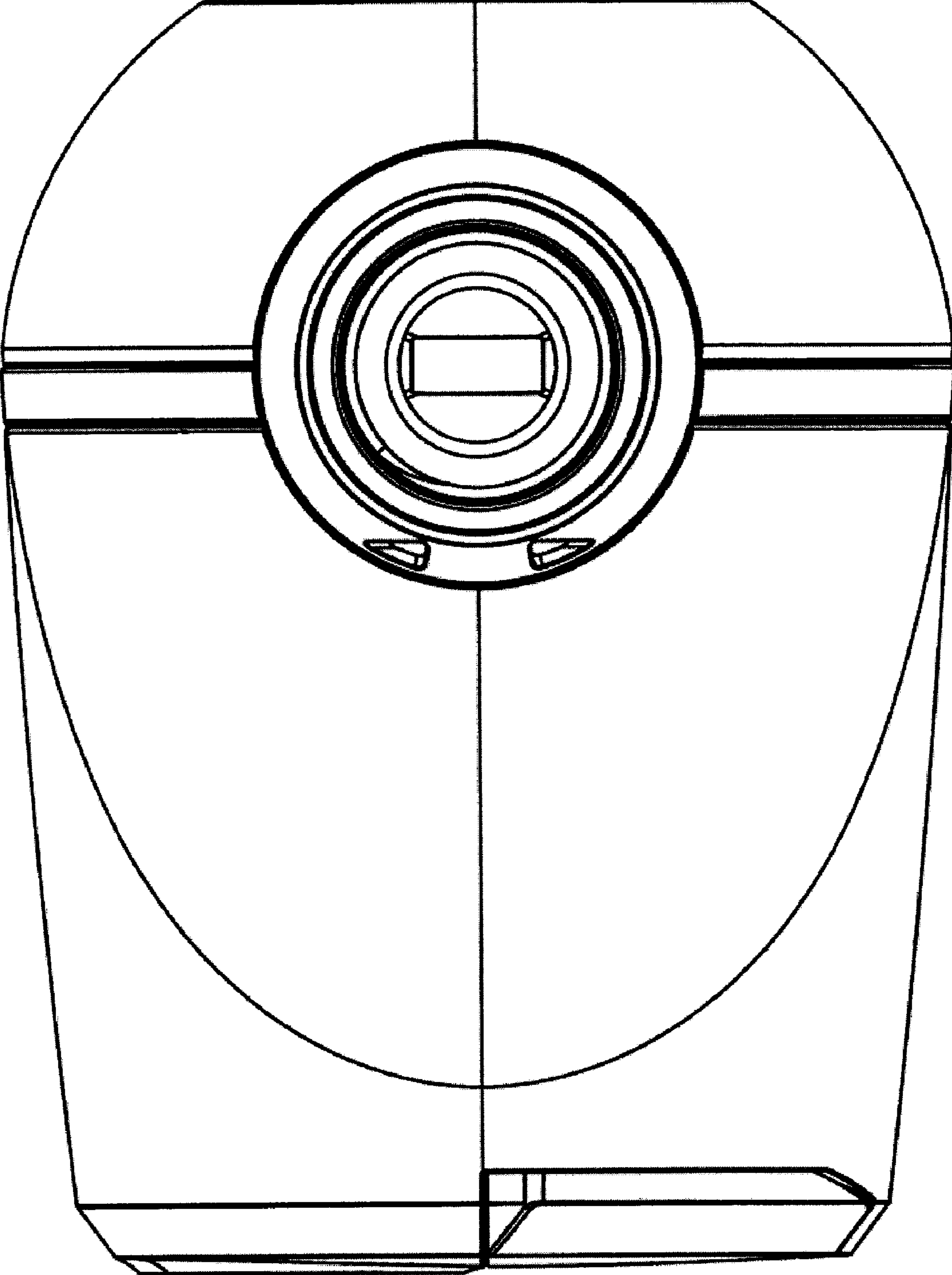


Fig. 5

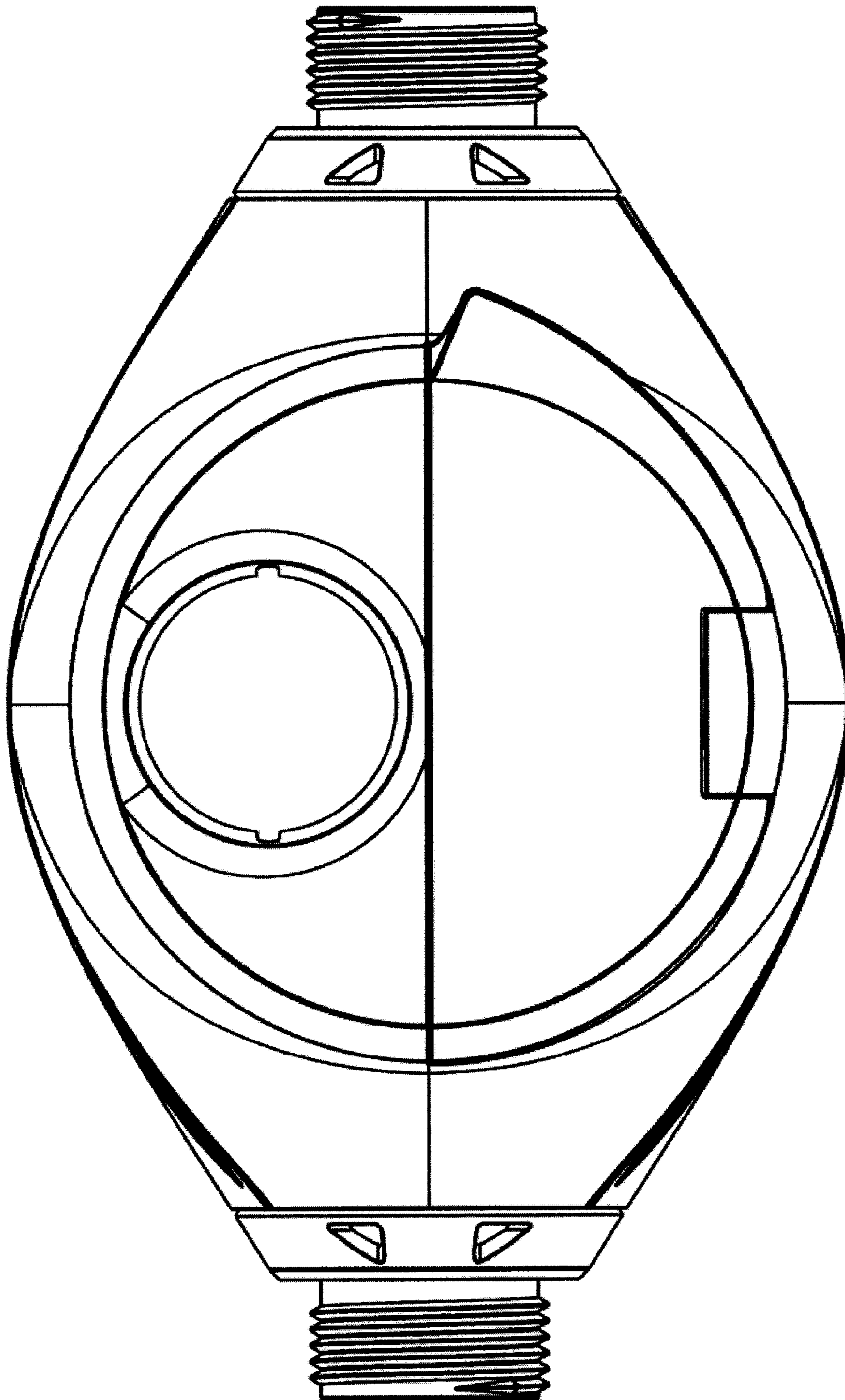


Fig. 6

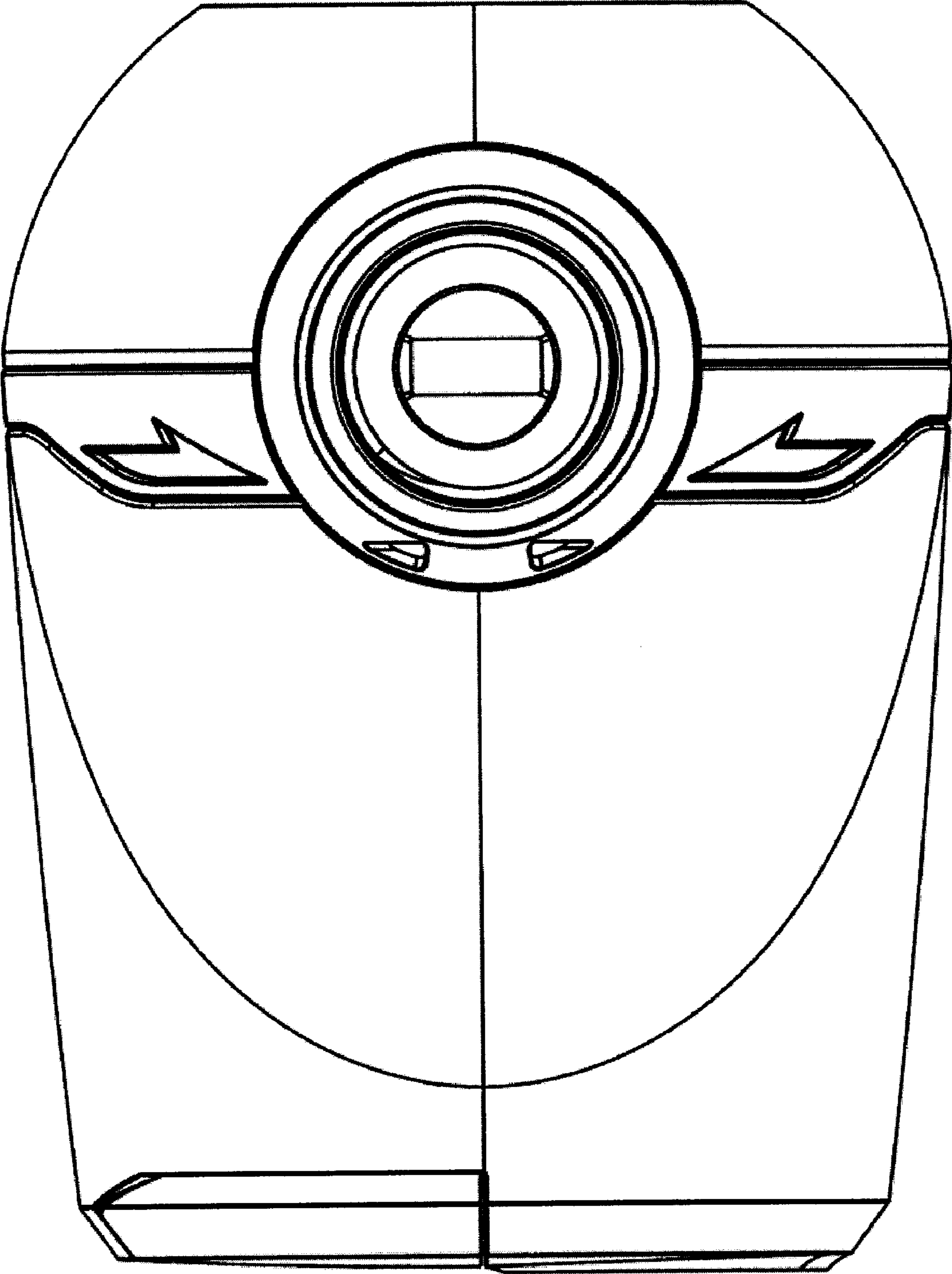


Fig. 7

