



US00D615890S

(12) **United States Design Patent**  
**Krebs et al.**

(10) **Patent No.:** **US D615,890 S**

(45) **Date of Patent:** **\*\* May 18, 2010**

(54) **TAPE MEASURE**

(75) Inventors: **Klaus Krebs**, Bad Soden (DE); **Carsten Ney**, Frankfurt am Main (DE)

(73) Assignee: **Hoechstmass Blazer GmbH**, Sulzbach/TS (DE)

(\*\*) Term: **14 Years**

(21) Appl. No.: **29/315,486**

(22) Filed: **Jun. 29, 2009**

(30) **Foreign Application Priority Data**

Jan. 6, 2009 (DE) ..... 40 2009 000 068

(51) **LOC (9) Cl.** ..... **10-04**

(52) **U.S. Cl.** ..... **D10/72**

(58) **Field of Classification Search** ..... D10/72;  
33/755-771; 242/292, 381.1-381.6

See application file for complete search history.

(56) **References Cited**

**U.S. PATENT DOCUMENTS**

7,086,174 B2 \* 8/2006 Scarborough ..... 33/761

D582,810 S \* 12/2008 Cook ..... D10/72

\* cited by examiner

*Primary Examiner*—Antoine D Davis

(74) *Attorney, Agent, or Firm*—Collard & Roe, P.C.

(57) **CLAIM**

The ornamental design for a tape measure, as shown and described.

**DESCRIPTION**

FIG. 1 is a top, and left side perspective view of a tape measure showing our new design;

FIG. 2 is a rear, right side and bottom perspective view thereof;

FIG. 3 is a front, left side and bottom perspective view thereof;

FIG. 4 is a right side view thereof;

FIG. 5 is a top view thereof;

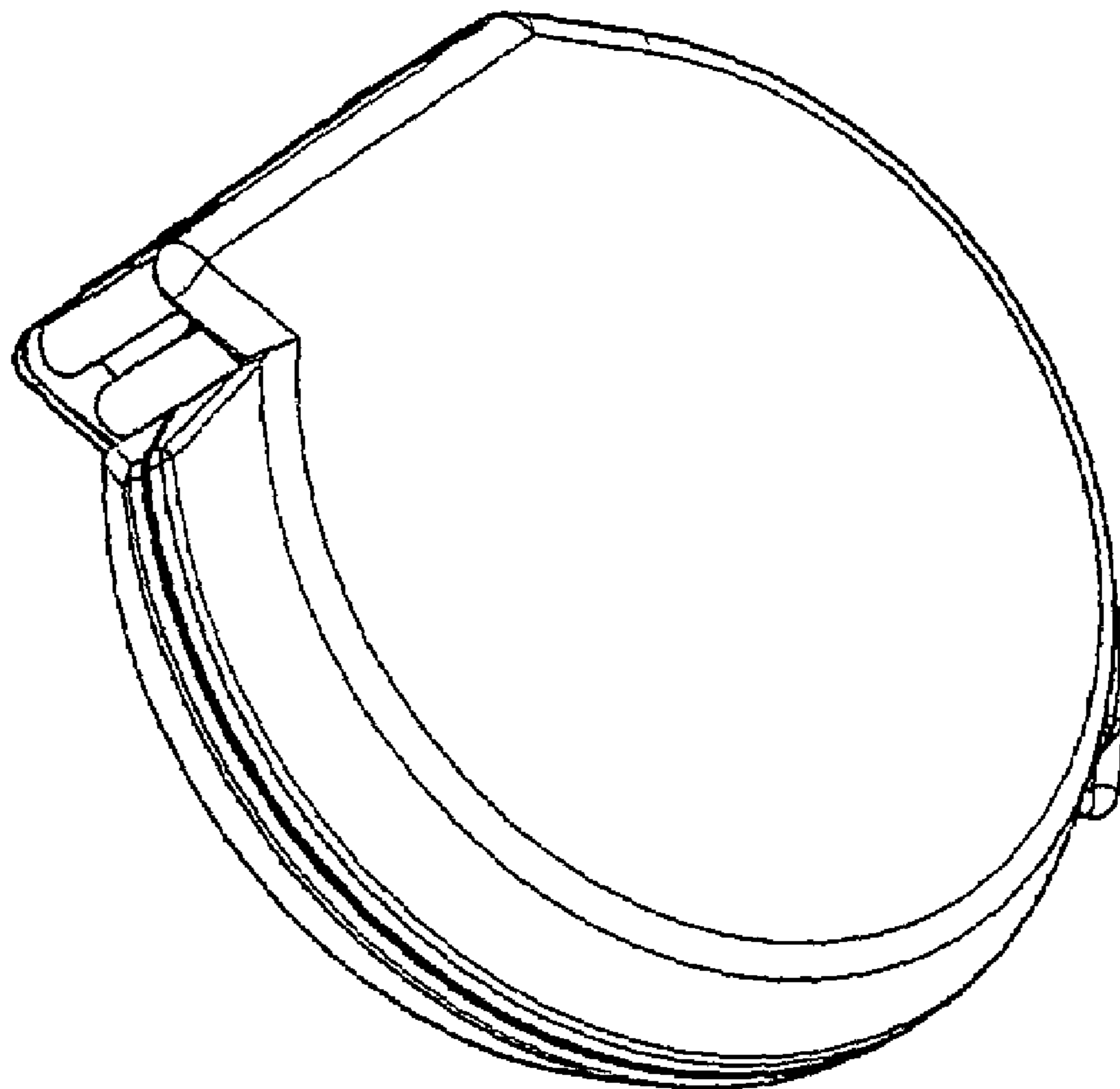
FIG. 6 is a left side view thereof;

FIG. 7 is a front view thereof;

FIG. 8 is a bottom view thereof; and,

FIG. 9 is a rear view thereof.

**1 Claim, 3 Drawing Sheets**



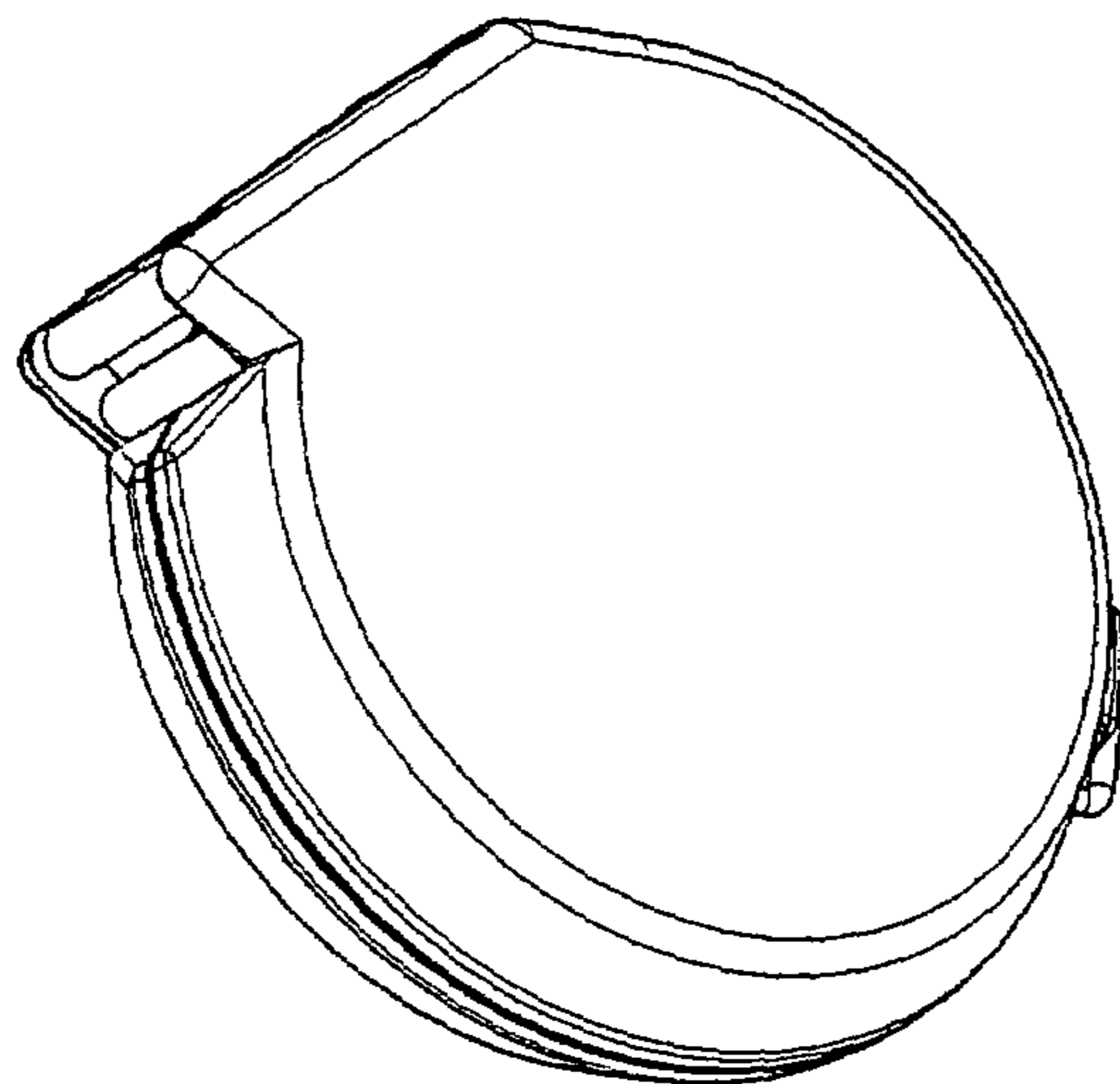


FIG. 1

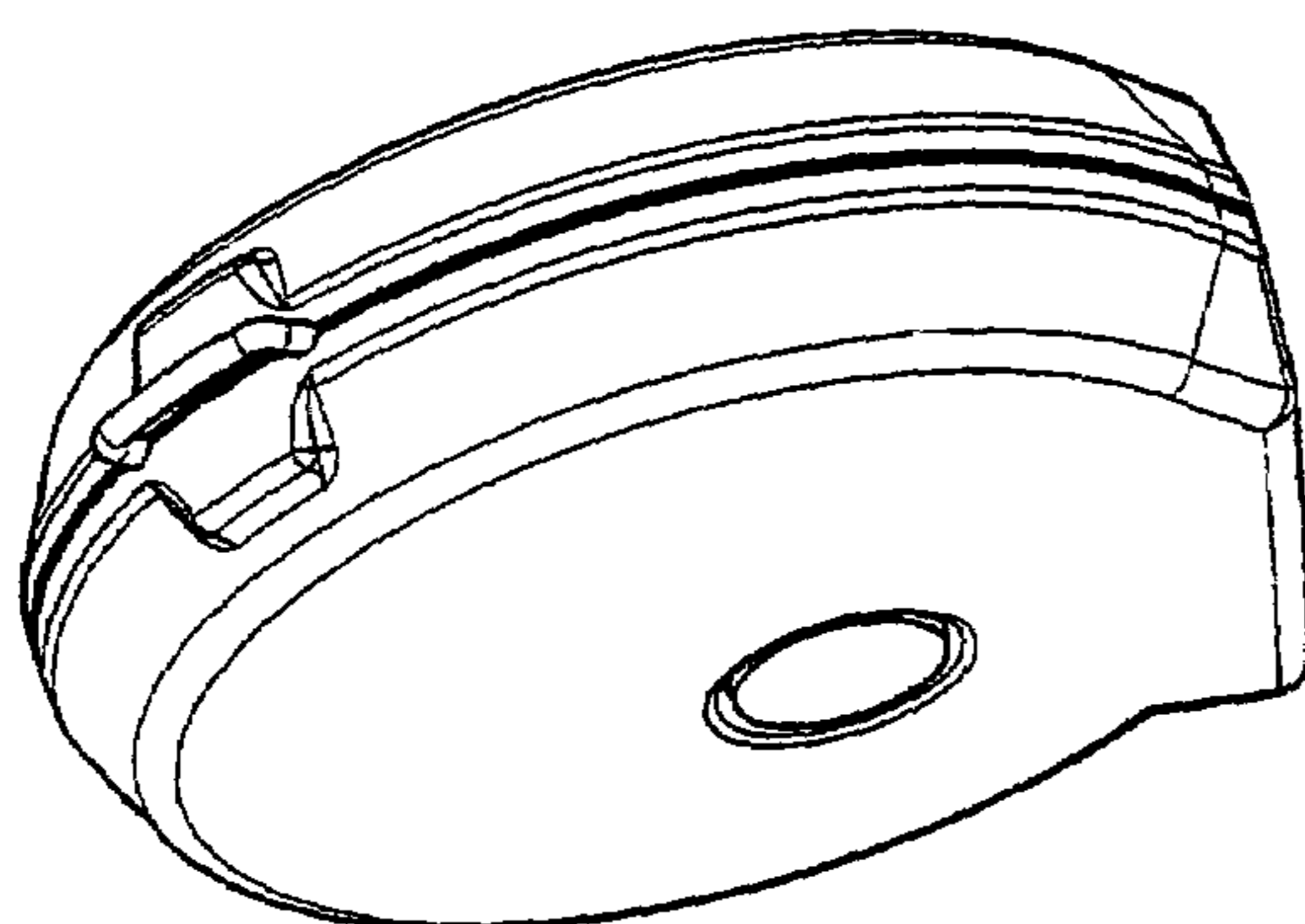


FIG. 2

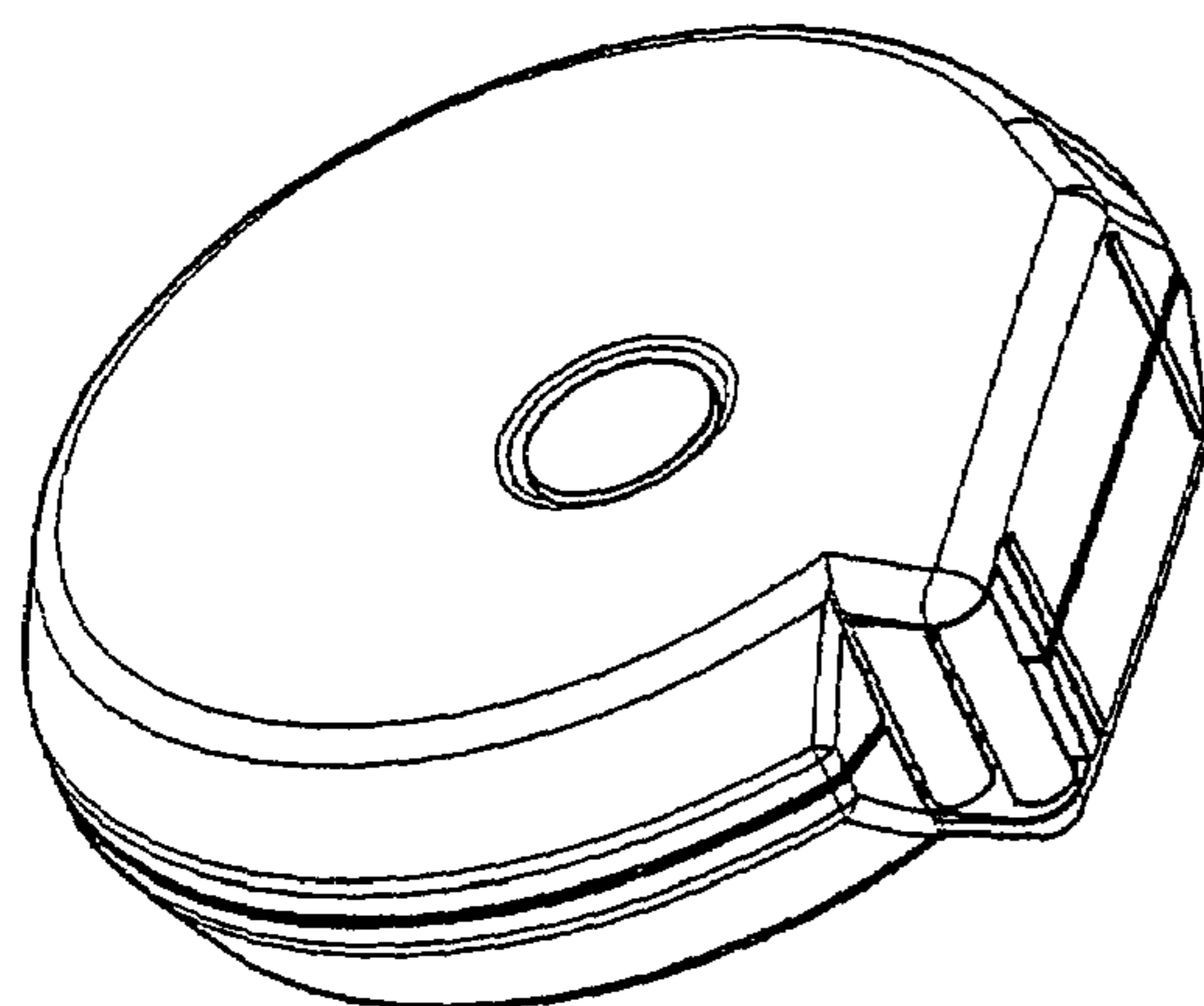


FIG. 3

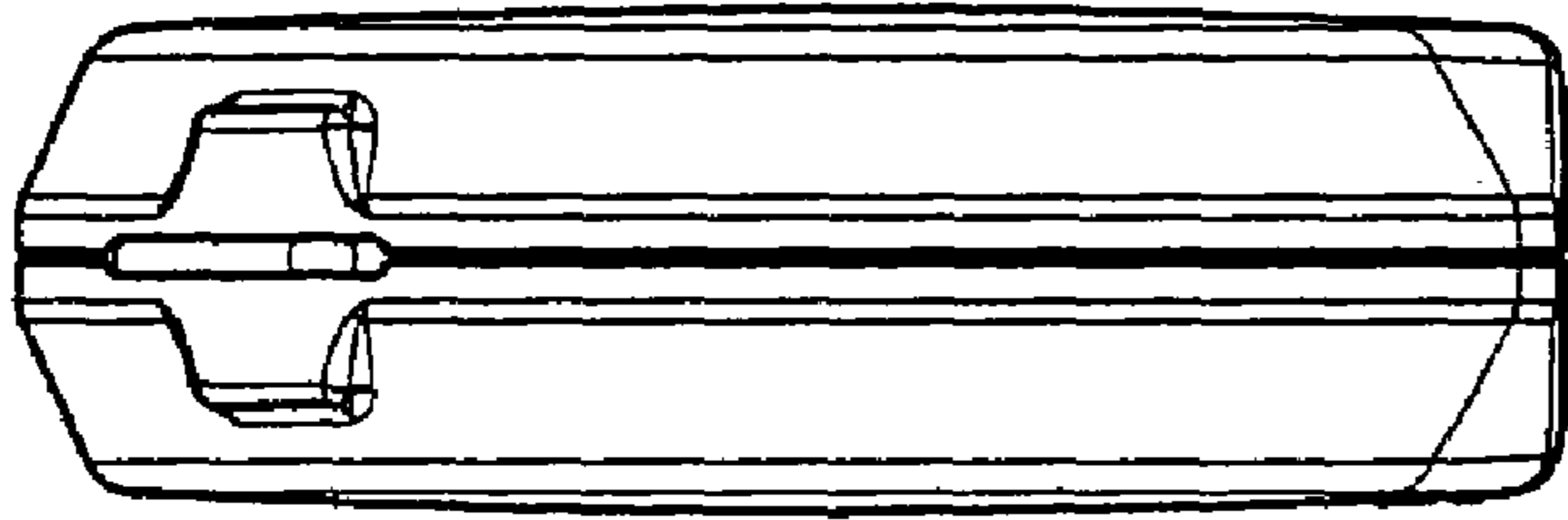


FIG. 4

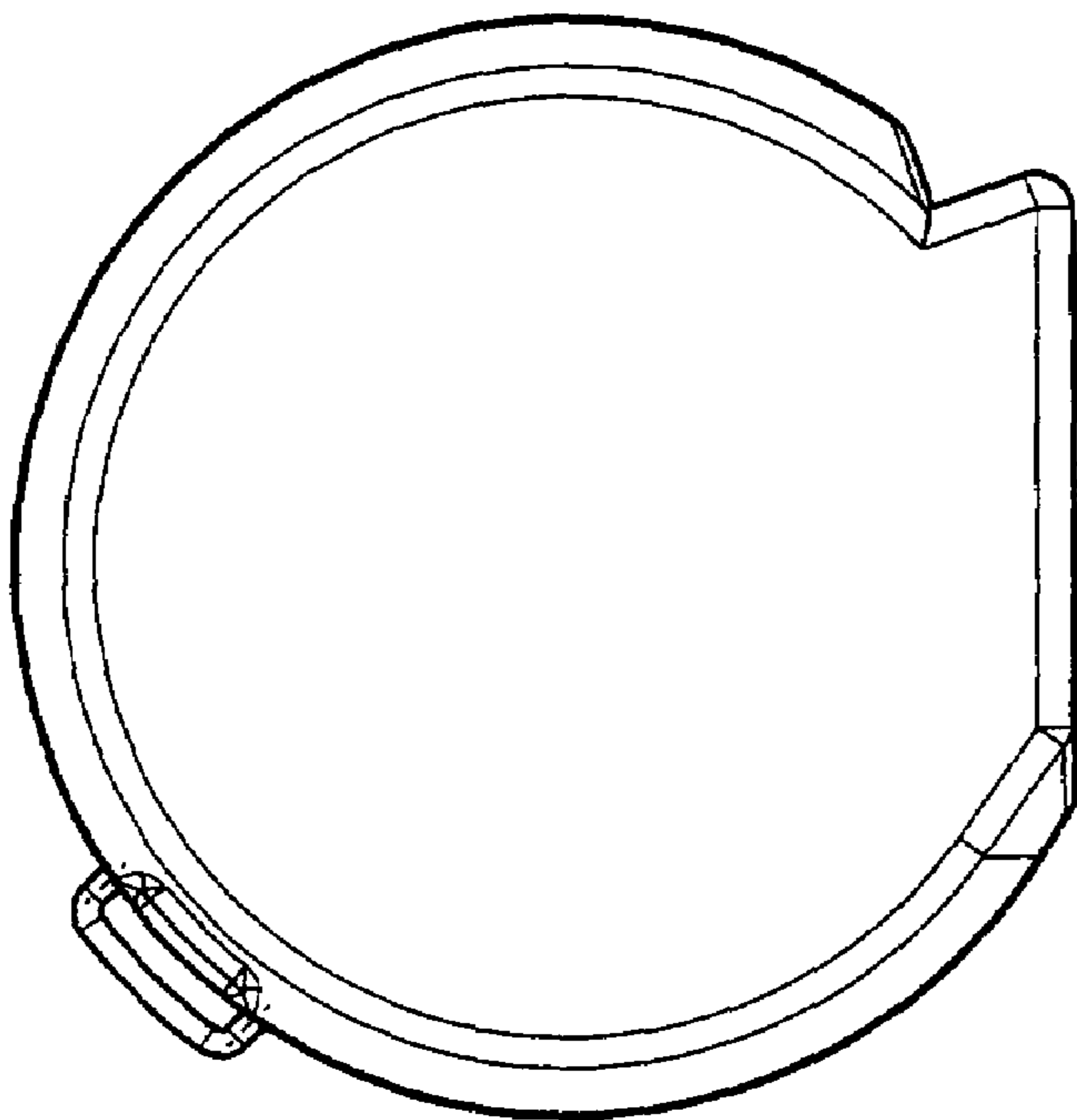


FIG. 5

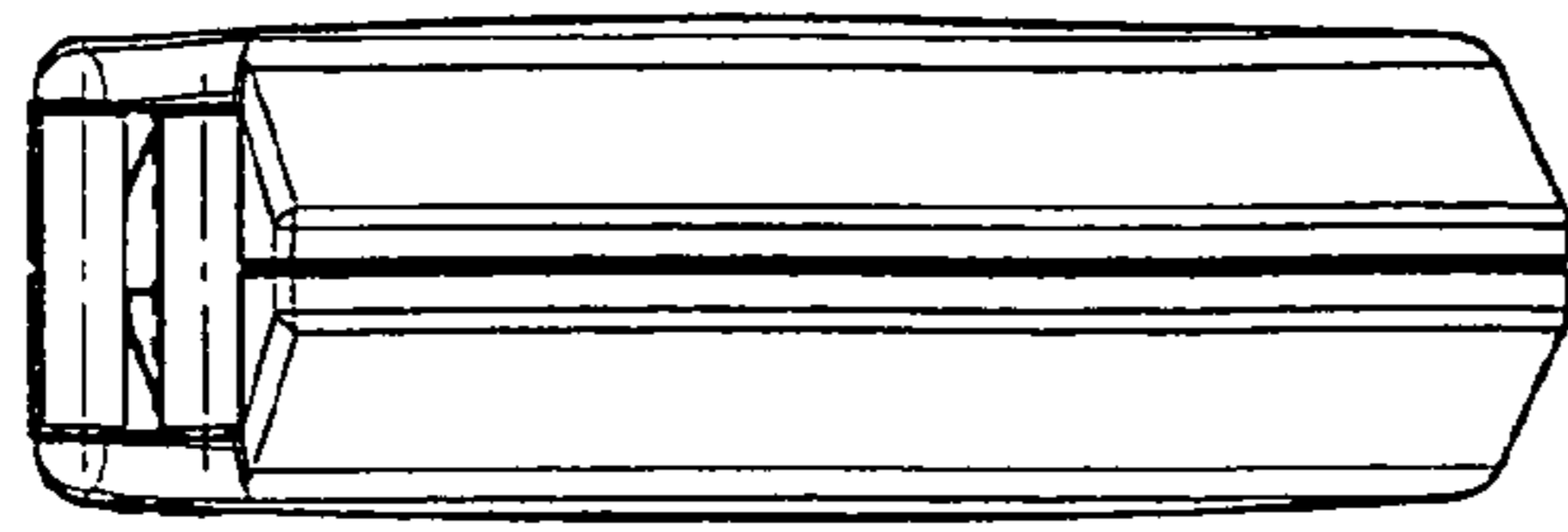


FIG. 6

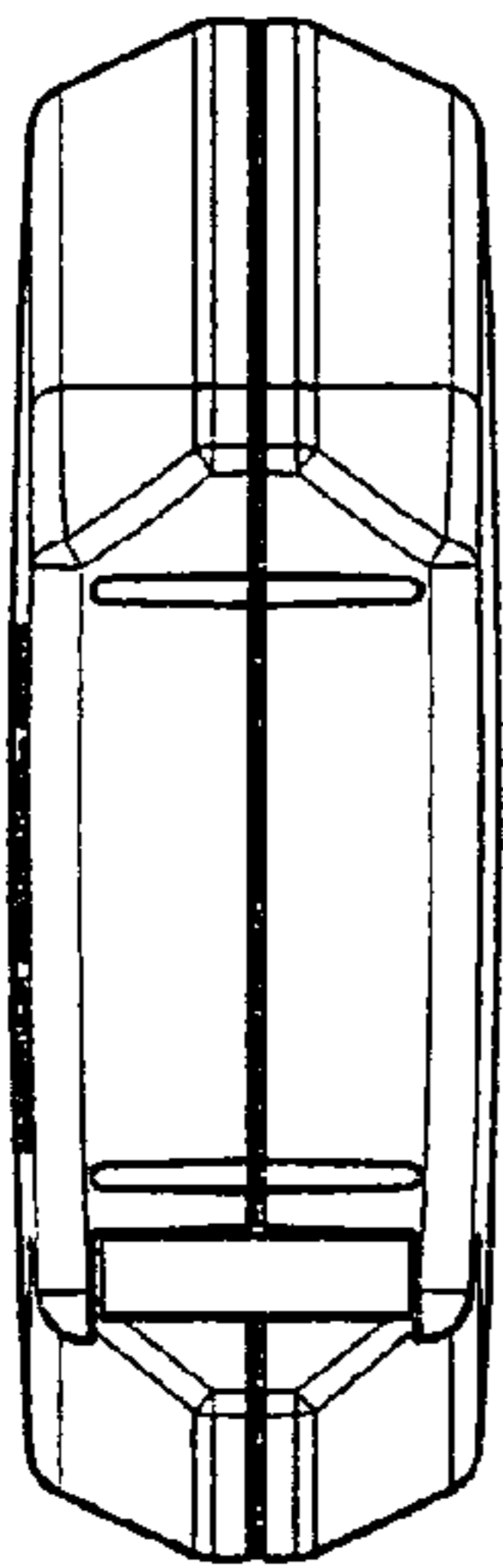


FIG. 7

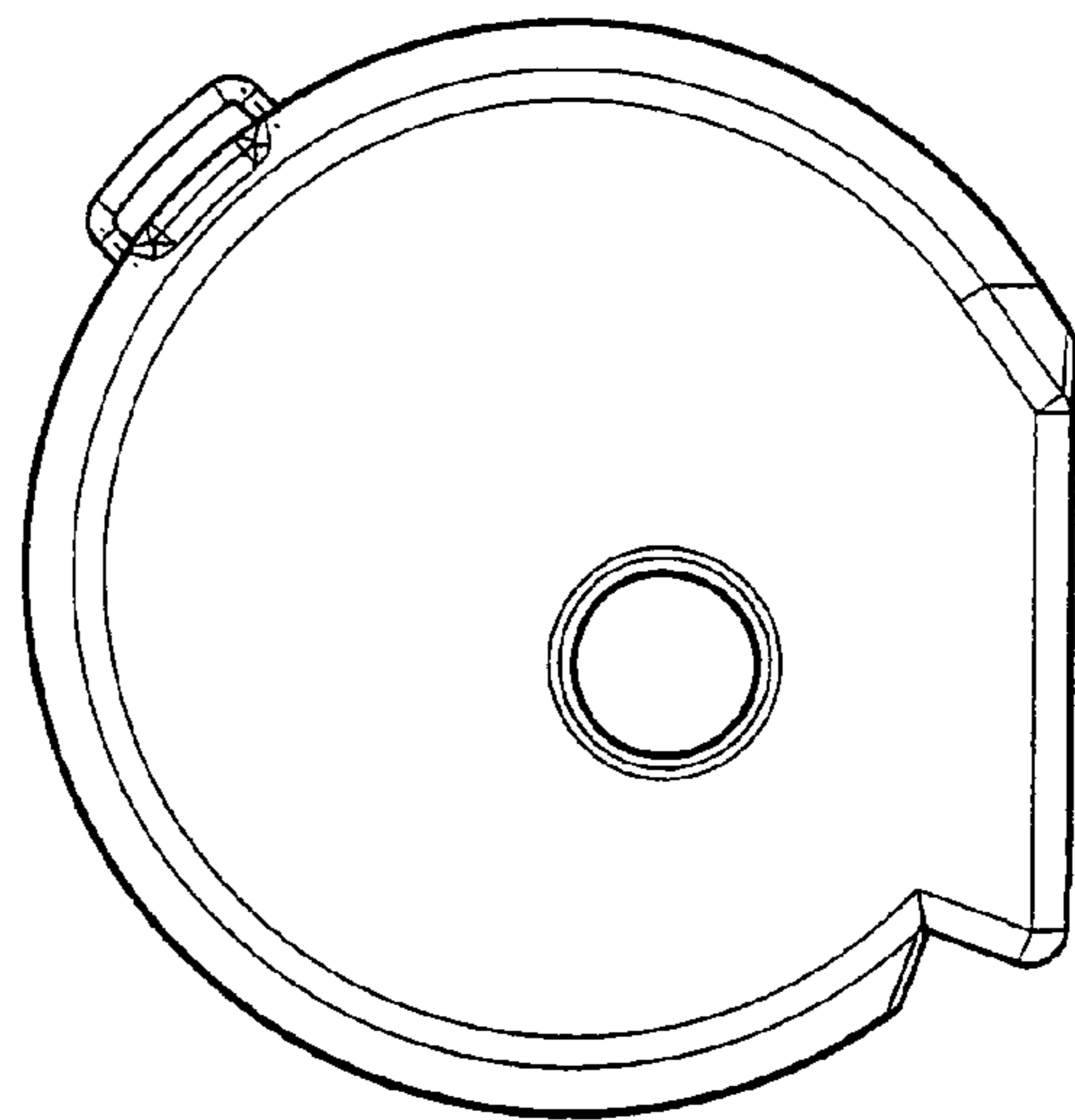


FIG. 8



FIG. 9

UNITED STATES PATENT AND TRADEMARK OFFICE  
**CERTIFICATE OF CORRECTION**

PATENT NO. : Des. 615,890 S  
APPLICATION NO. : 29/315486  
DATED : May 18, 2010  
INVENTOR(S) : Krebs et al.

Page 1 of 1

It is certified that error appears in the above-identified patent and that said Letters Patent is hereby corrected as shown below:

Title page, Item [73], Assignee, after "Hoechstmass", please correct  
"Blazer" to correctly read: --Balzer--.

Signed and Sealed this

Thirteenth Day of July, 2010

A handwritten signature in black ink that reads "David J. Kappos". The signature is written in a cursive style with a large initial 'D' and 'K'.

David J. Kappos  
*Director of the United States Patent and Trademark Office*