



US00D615888S

(12) **United States Design Patent**
Ikeda et al.

(10) **Patent No.:** **US D615,888 S**
(45) **Date of Patent:** **** May 18, 2010**

(54) **MOTION SENSOR**

(75) Inventors: **John Ikeda**, Seattle, WA (US); **Stephen Christopher**, Chicago, IL (US); **Scott Harold Wilson**, Chicago, IL (US)

(73) Assignee: **Microsoft Corporation**, Redmond, WA (US)

(**) Term: **14 Years**

(21) Appl. No.: **29/336,393**

(22) Filed: **May 1, 2009**

(51) **LOC (9) Cl.** **10-04**

(52) **U.S. Cl.** **D10/70**

(58) **Field of Classification Search** D10/70,
D10/98; 235/95 C, 105; 340/540; 377/5,
377/24.2, 26; 702/155, 160, 176; 705/1,
705/14; 713/300

See application file for complete search history.

(56) **References Cited**

U.S. PATENT DOCUMENTS

D535,899 S * 1/2007 Li D10/70
D537,001 S * 2/2007 Li D10/70
D537,003 S * 2/2007 Li D10/70
D543,877 S * 6/2007 Bhavnani D10/70

D545,700 S * 7/2007 Man D10/70
D569,745 S * 5/2008 Bhavnani D10/41
D579,804 S * 11/2008 Li D10/70
D582,304 S * 12/2008 Hashino et al. D10/70
D593,883 S * 6/2009 Hol et al. D10/70
2008/0077422 A1 * 3/2008 Dooley et al. 705/1
2008/0215443 A1 * 9/2008 Dooley et al. 705/14

* cited by examiner

Primary Examiner—Antoine D Davis

(74) *Attorney, Agent, or Firm*—Banner & Witcoff, Ltd.

(57) **CLAIM**

The ornamental design for a motion sensor, as shown and described.

DESCRIPTION

FIG. 1 is a front perspective view of a motion sensor showing our new design;

FIG. 2 is a front view thereof;

FIG. 3 is a rear view thereof;

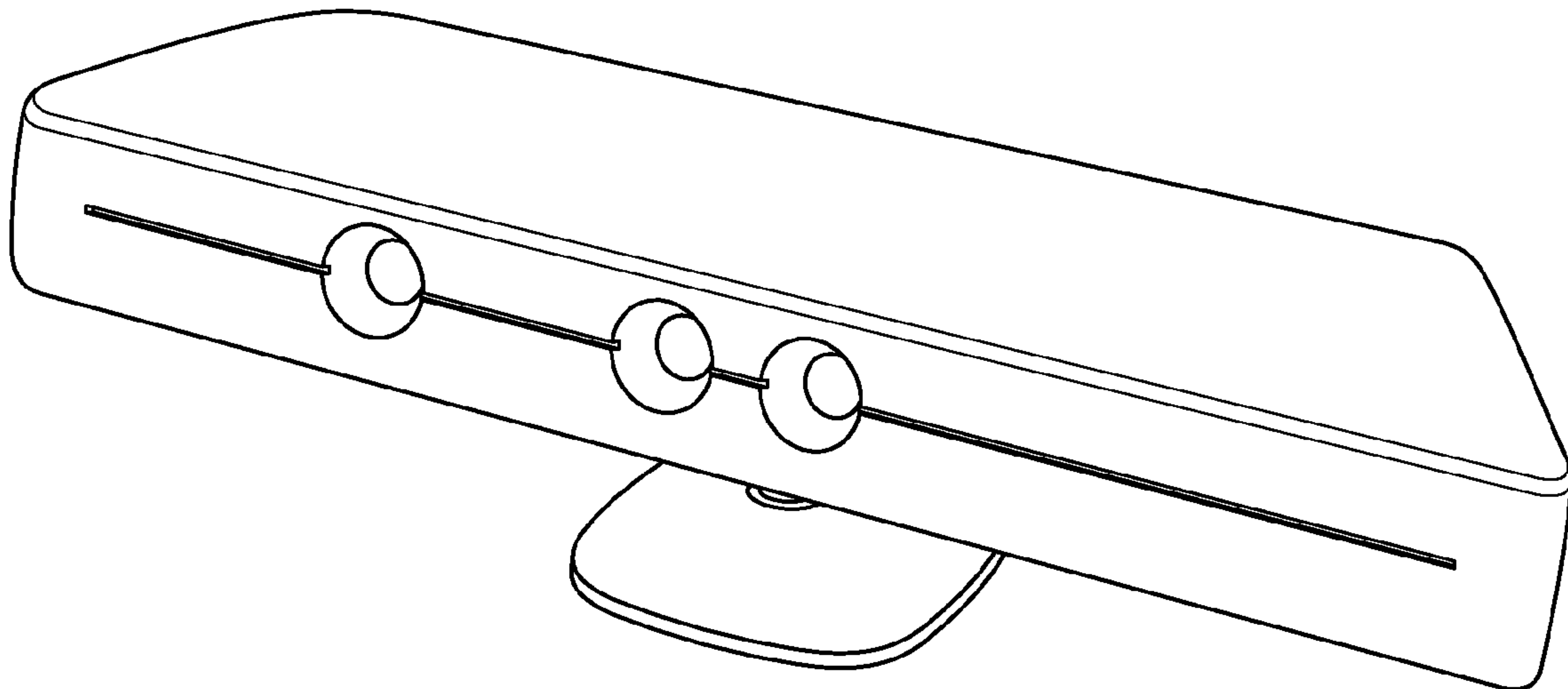
FIG. 4 is a right side view thereof;

FIG. 5 is a left side view thereof;

FIG. 6 is a top view thereof; and,

FIG. 7 is a bottom view thereof.

1 Claim, 7 Drawing Sheets



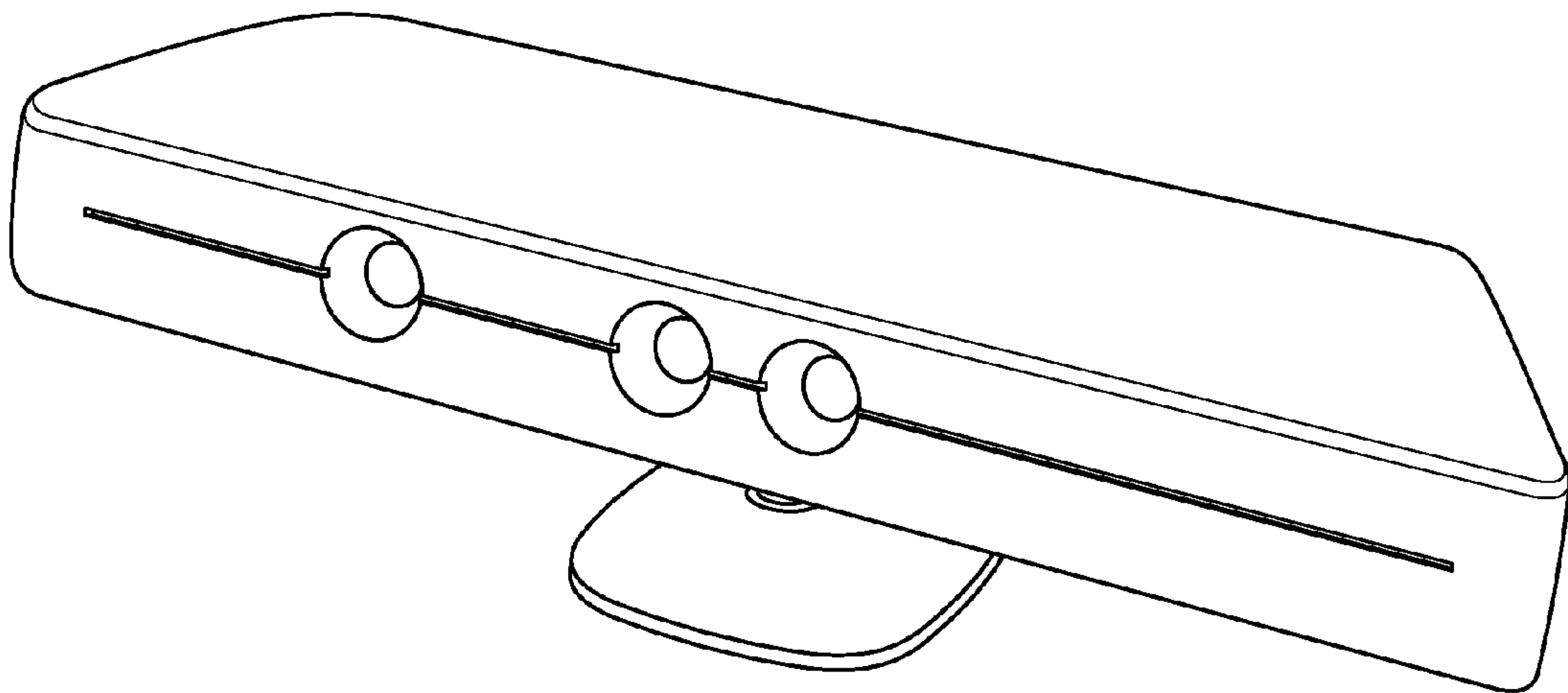


FIG. 1

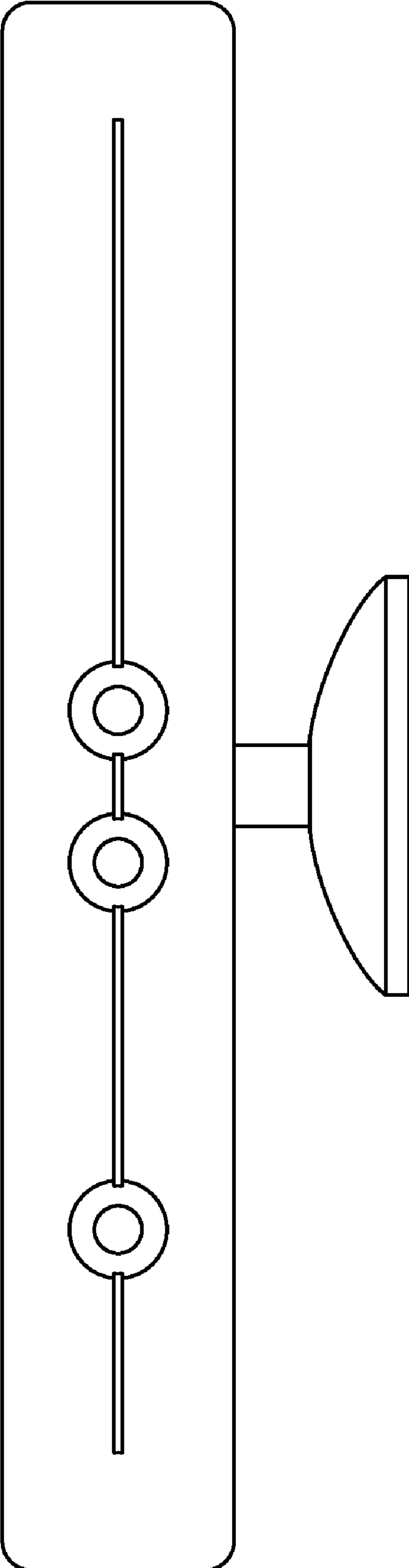


FIG. 2

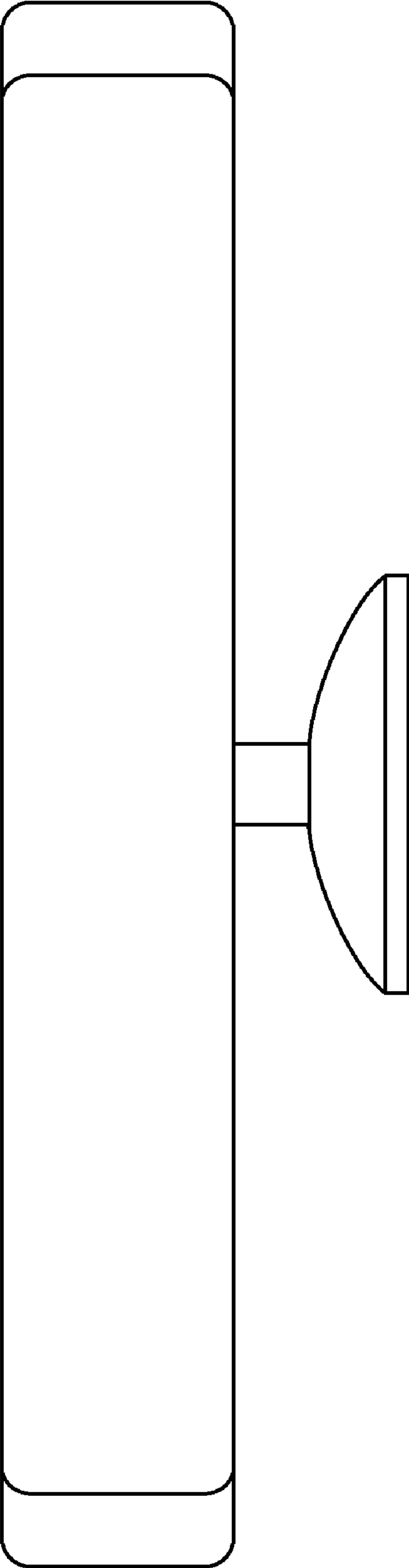


FIG. 3

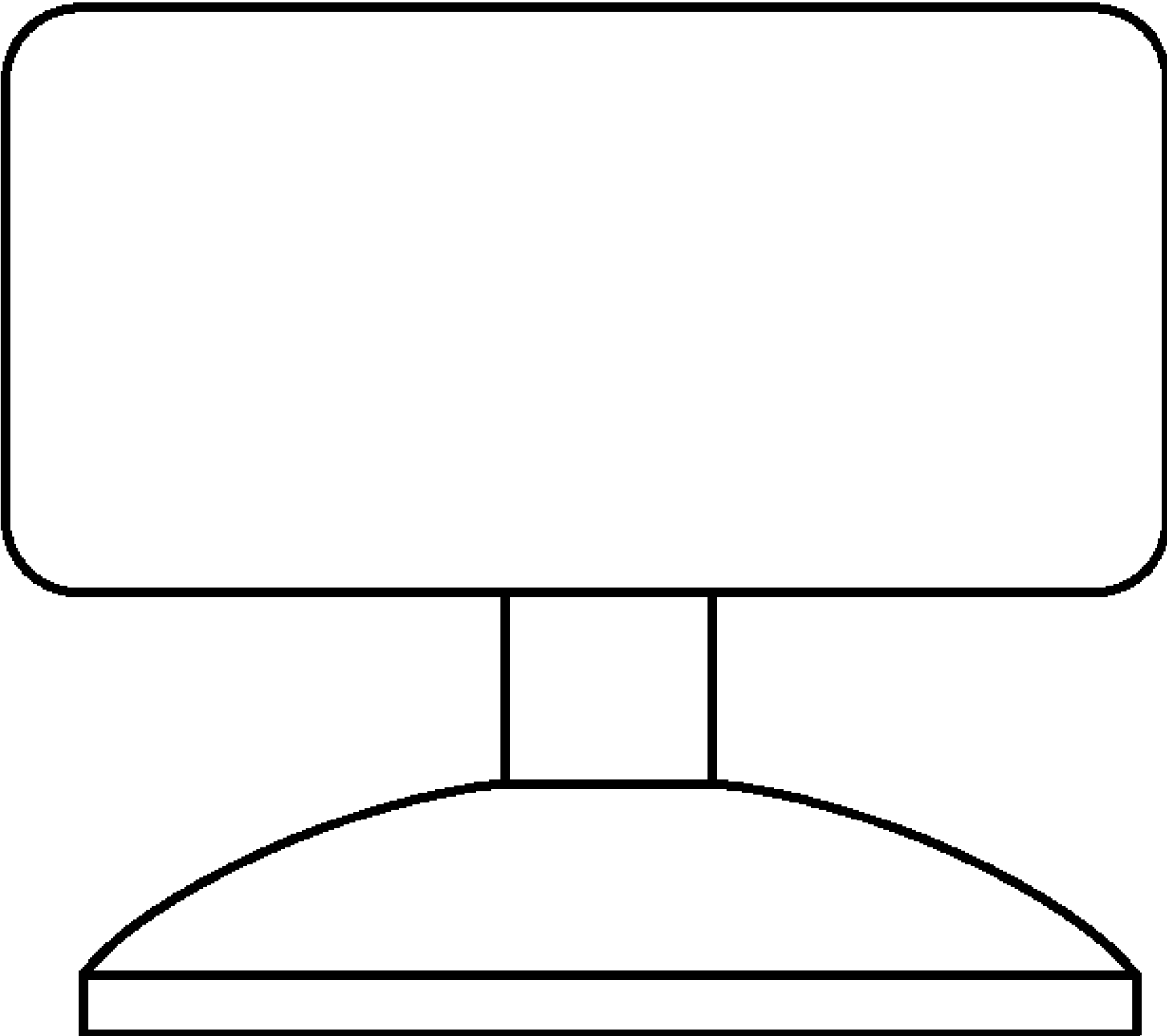


FIG. 4

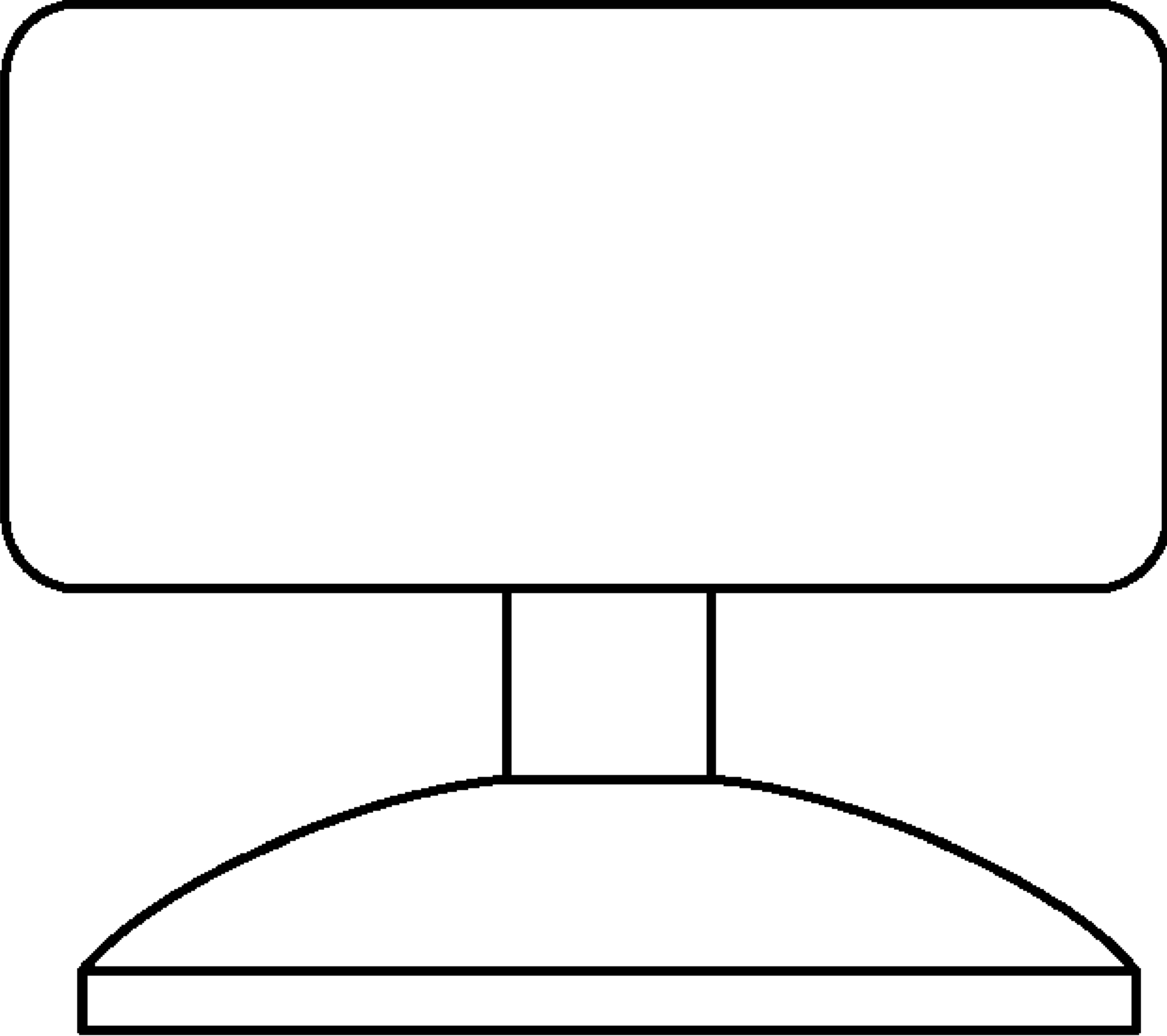


FIG. 5

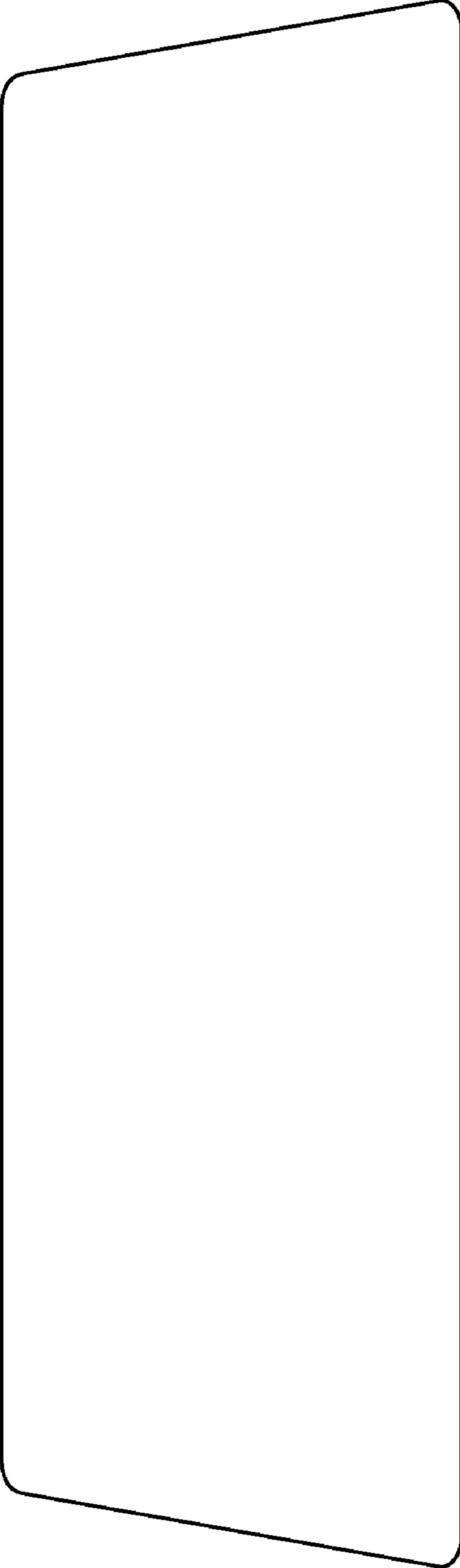


FIG. 6

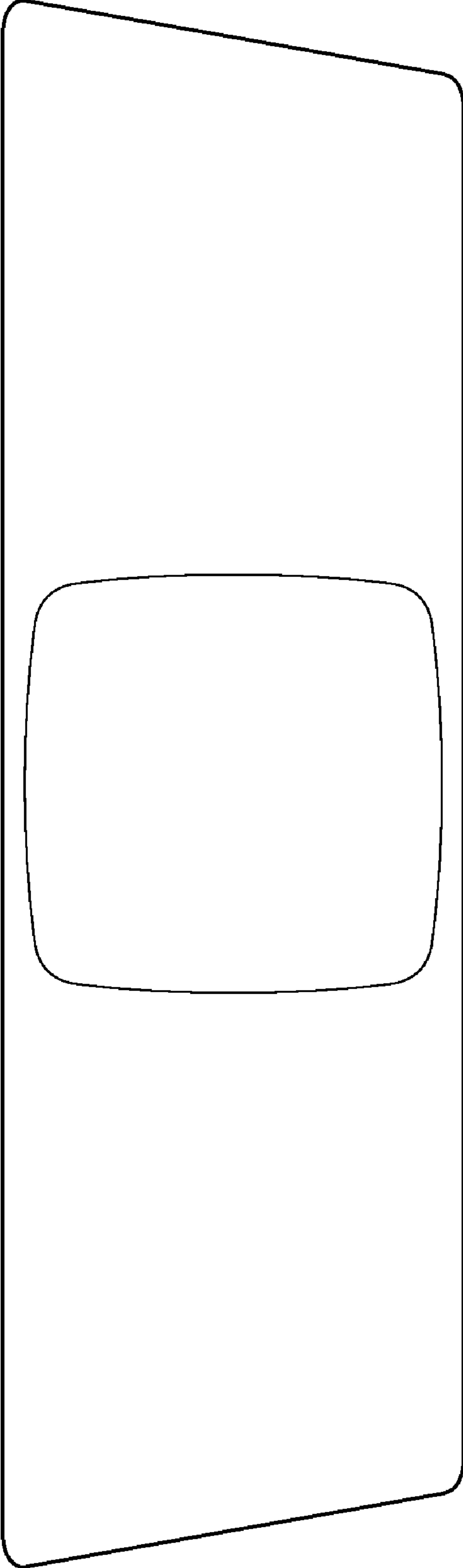


FIG. 7