



US00D615879S

(12) **United States Design Patent**
Monachon

(10) **Patent No.:** **US D615,879 S**

(45) **Date of Patent:** **** May 18, 2010**

(54) **WRISTWATCH**

(75) Inventor: **Jean-Claude Monachon, Les**
Vieux-Pres (CH)

(73) Assignee: **Omega SA (Omega AG) (Omega Ltd.),**
Biel/Bienne (CH)

(**) Term: **14 Years**

(21) Appl. No.: **29/342,791**

(22) Filed: **Sep. 1, 2009**

(30) **Foreign Application Priority Data**

Mar. 2, 2009 (WO) DM/071 418

(51) **LOC (9) Cl.** **10-02**

(52) **U.S. Cl.** **D10/32**

(58) **Field of Classification Search** D10/30-39,
D10/122-126; 368/276, 281, 282, 285, 80,
368/223, 228, 232, 28; D11/3

See application file for complete search history.

(56) **References Cited**

U.S. PATENT DOCUMENTS

2,361,563	A *	10/1944	Pellaton	368/80
3,427,800	A *	2/1969	Blum	368/223
4,019,037	A *	4/1977	Monna	708/111
5,282,179	A *	1/1994	Vuilleumier	368/28
5,339,293	A *	8/1994	Kamiyama et al.	368/21
D357,192	S *	4/1995	Schneider	D10/32
D362,633	S *	9/1995	Bertolucci	D10/32
D502,880	S *	3/2005	Bernheim	D10/32
D524,171	S *	7/2006	Monachon	D10/32
D539,175	S *	3/2007	Bolt et al.	D10/39

D549,113	S *	8/2007	Duong	D10/32
D570,230	S *	6/2008	Monachon	D10/32
D574,733	S *	8/2008	Blair	D10/32
D579,351	S *	10/2008	Monachon	D10/39
D590,274	S *	4/2009	Monachon	D10/31
D592,975	S *	5/2009	Markl	D10/32

* cited by examiner

Primary Examiner—Lucy Lieberman

(74) *Attorney, Agent, or Firm*—Collen IP; Donald J. Ranft

(57) **CLAIM**

The ornamental design for a wristwatch, as shown and described.

DESCRIPTION

FIG. 1 is a front view of my new, original and ornamental design for a wristwatch;

FIG. 2 is a rear view with strap closed thereof;

FIG. 3 is a fragmentary rear elevation of the wristwatch with portions of the watch strap shown broken away for clarity of illustration;

FIG. 4 is a right side view thereof;

FIG. 5 is a left side view thereof;

FIG. 6 is a bottom view thereof;

FIG. 7 is a top view thereof;

FIG. 8 is a front perspective view thereof; and,

FIG. 9 is a rear perspective view thereof.

The broken lines in FIGS. 1 through 3 and FIGS. 6 through 9 are used to show the claimed stitching on the watch strap.

1 Claim, 5 Drawing Sheets

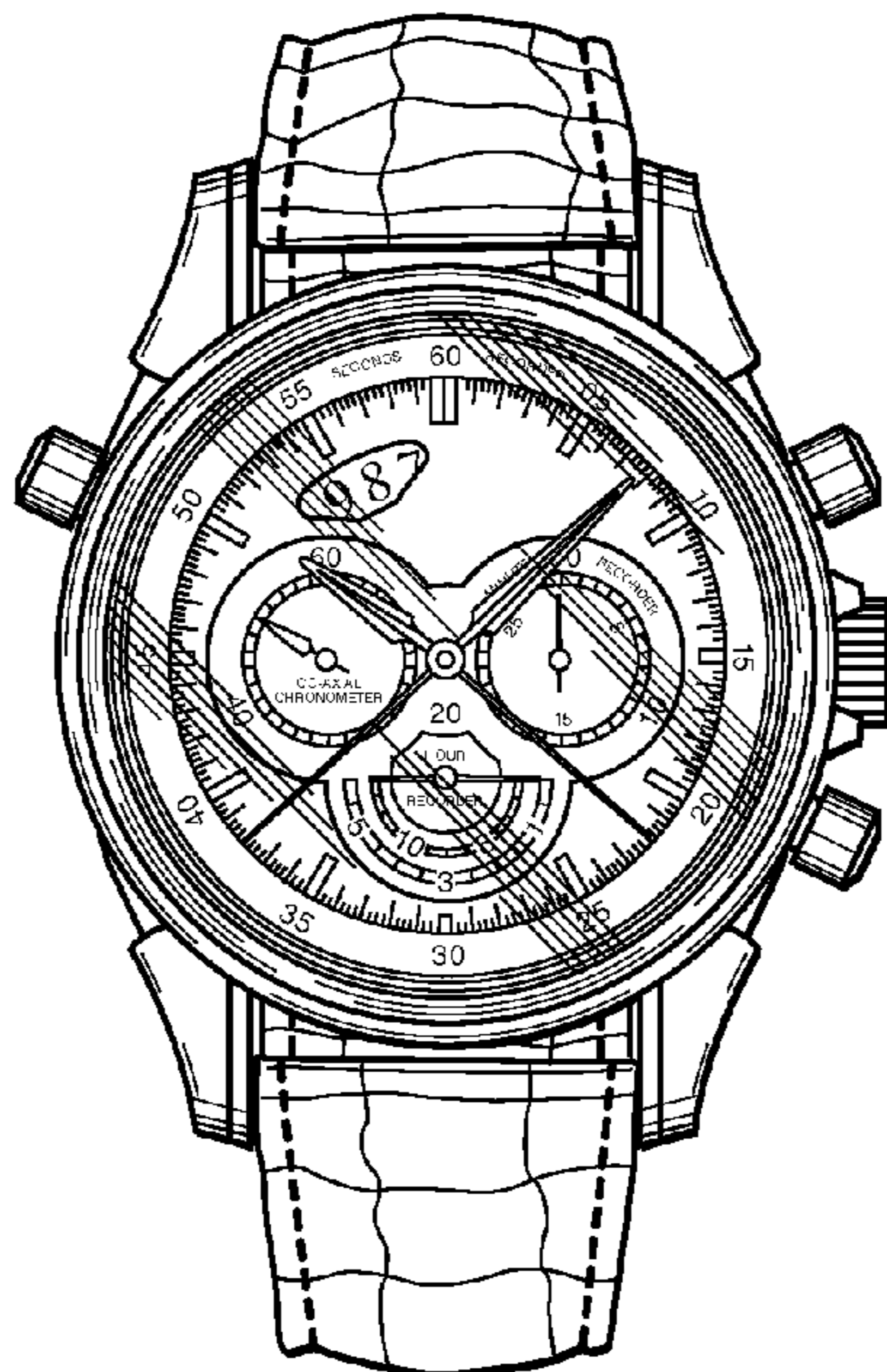


Fig. 1



Fig. 2

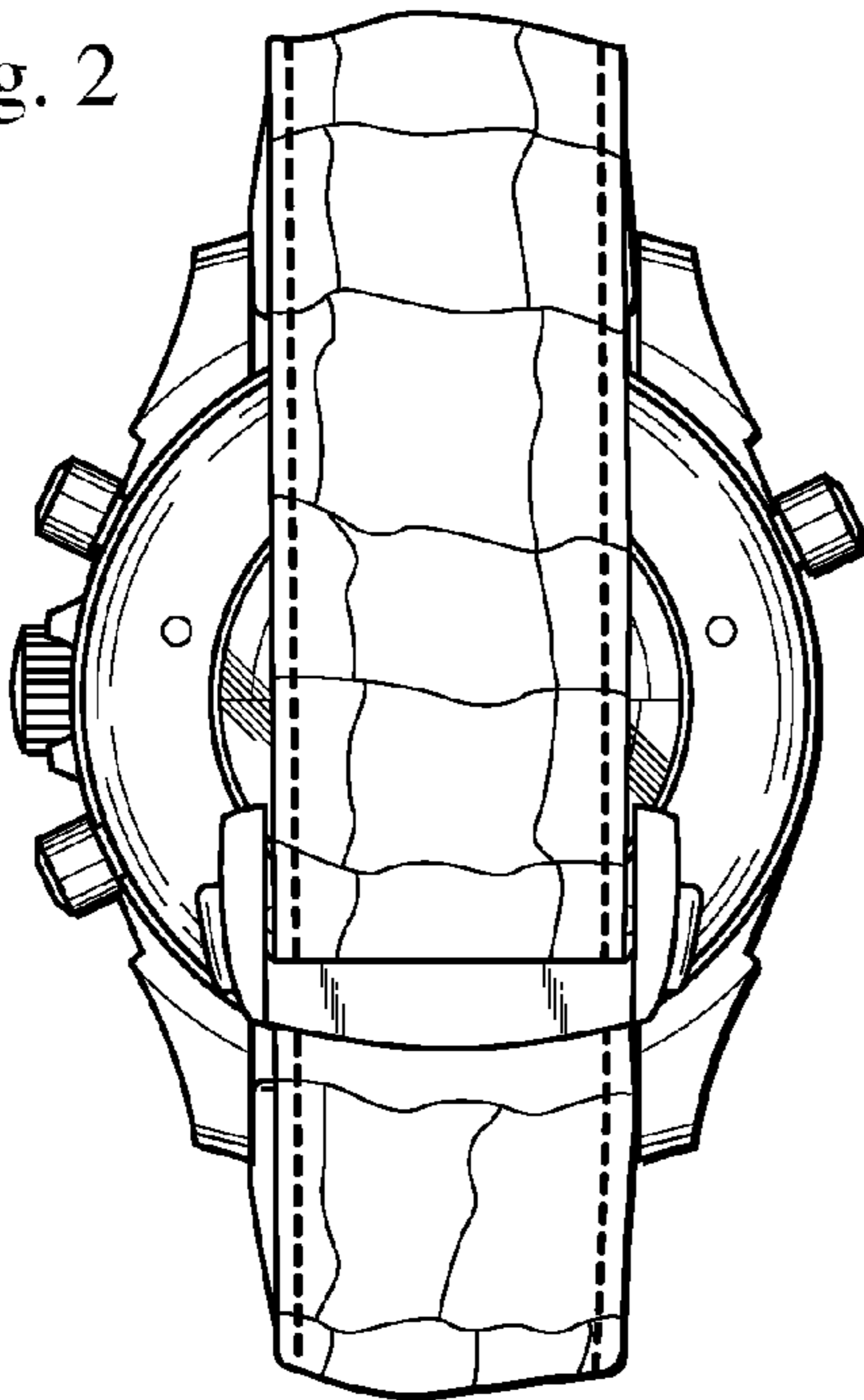


Fig. 3

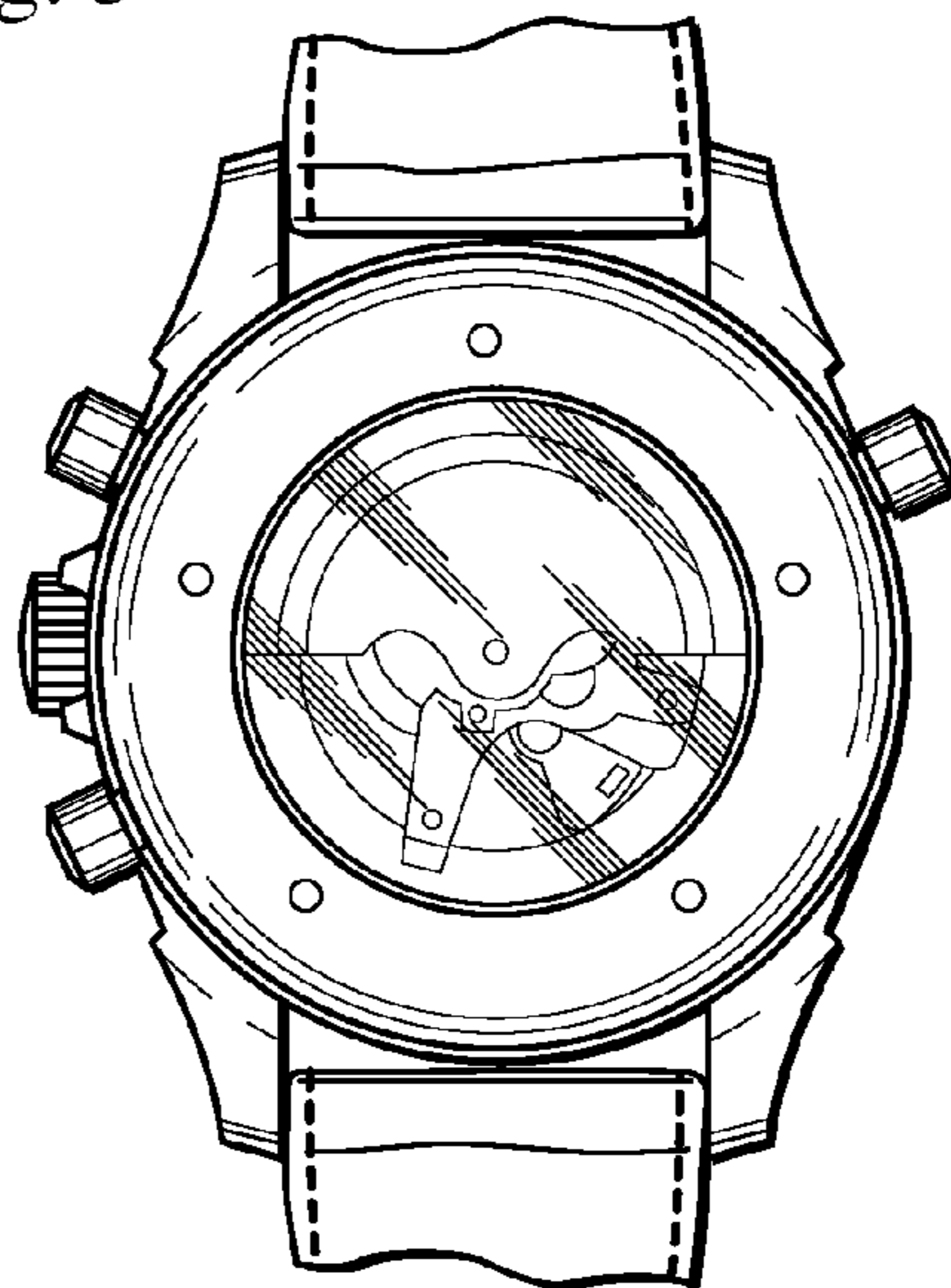


Fig. 4

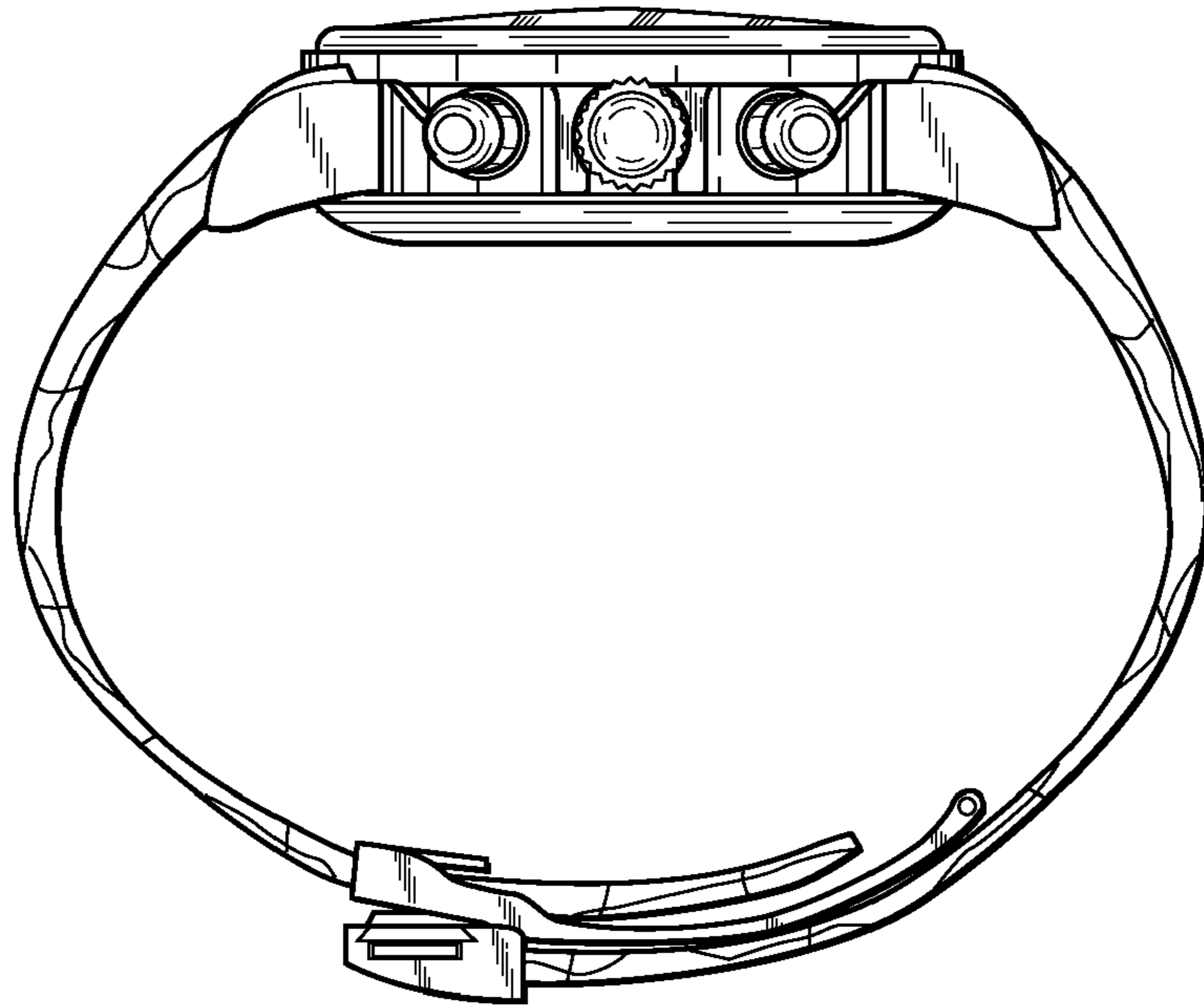


Fig. 5

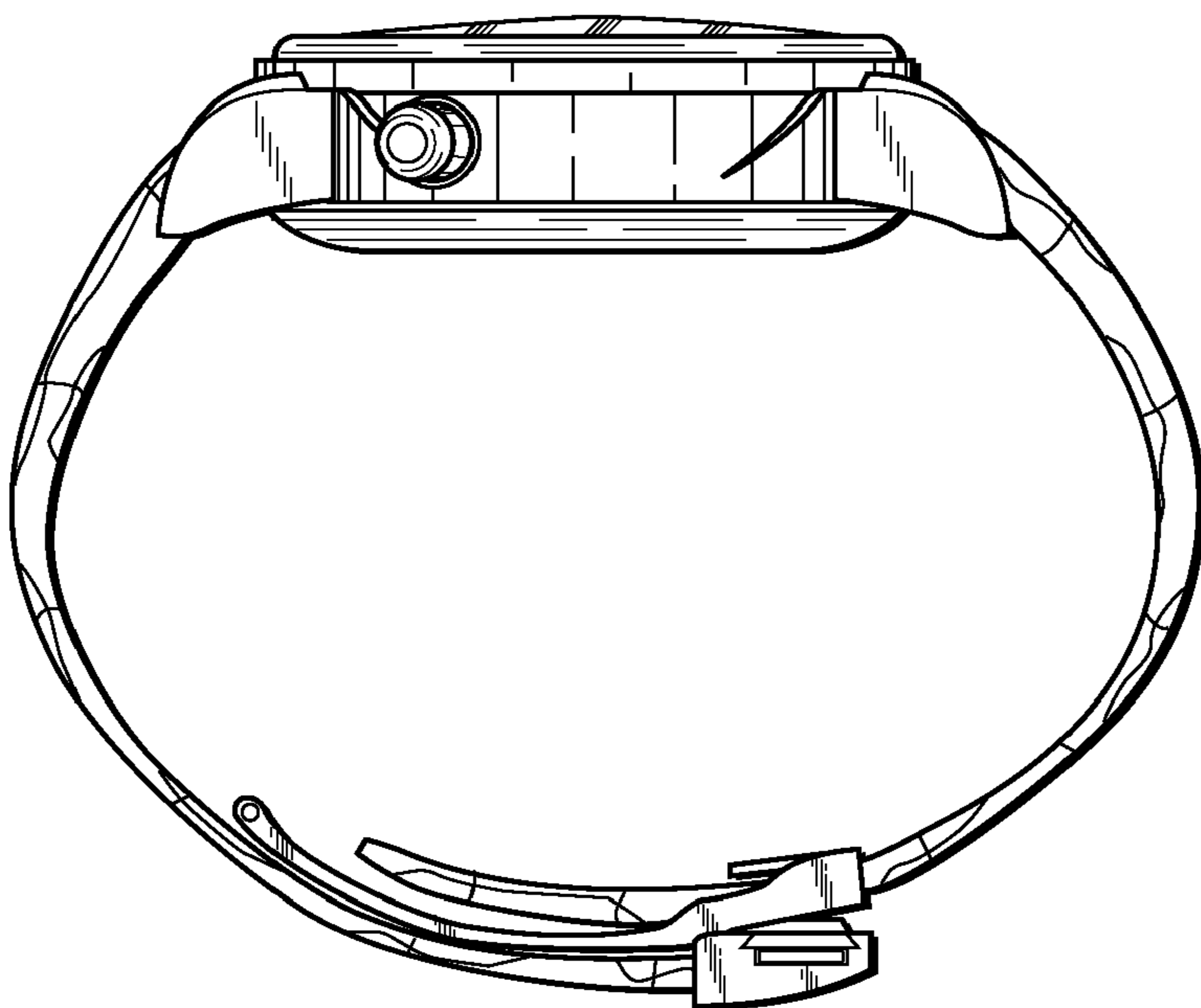


Fig. 6

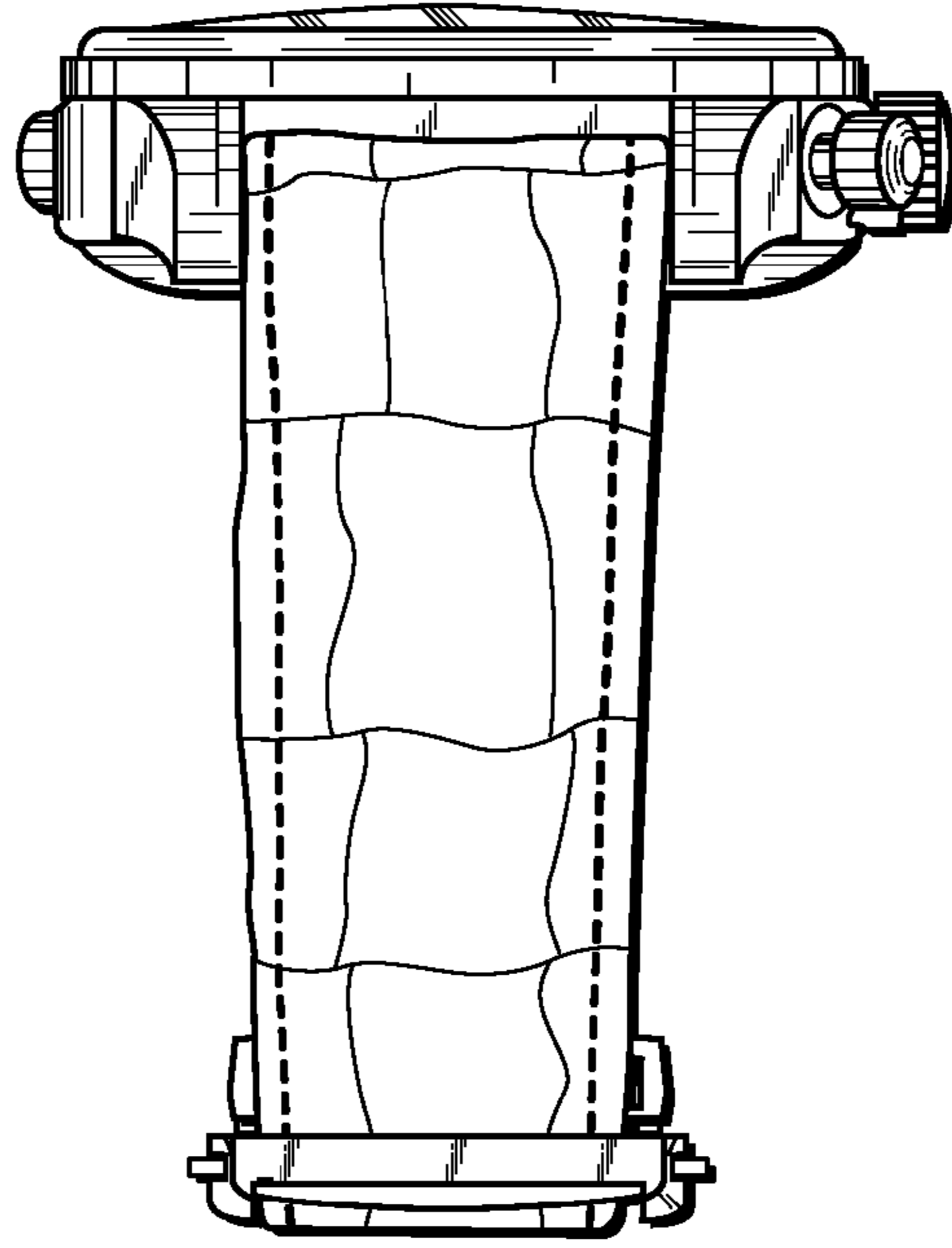


Fig. 7

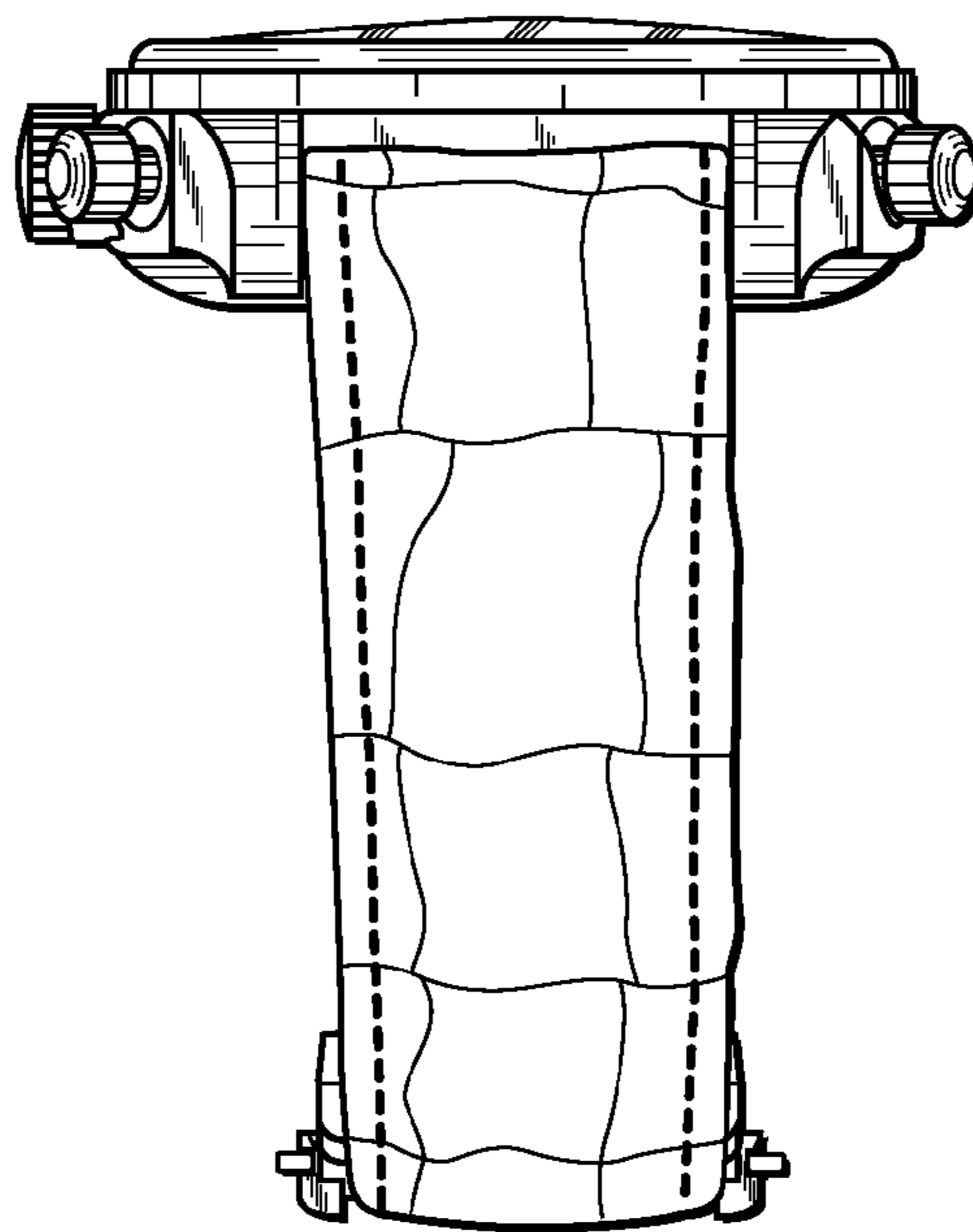


Fig. 8



Fig. 9

