



US00D615876S

(12) **United States Design Patent**
Oster

(10) **Patent No.:** **US D615,876 S**
(45) **Date of Patent:** **** May 18, 2010**

(54) **BOTTLE HOLDER**

(75) Inventor: **Heinz Oster**, Starnburg (DE)

(73) Assignee: **Schoeller-Plast-Enterprise A/S** (DK)

(**) Term: **14 Years**

(21) Appl. No.: **29/343,954**

(22) Filed: **Sep. 22, 2009**

Related U.S. Application Data

(63) Continuation-in-part of application No. 29/247,519, filed on Jun. 23, 2006, now abandoned.

(51) **LOC (9) Cl.** **09-03**

(52) **U.S. Cl.** **D9/752; D9/753**

(58) **Field of Classification Search** D9/751-753,
D9/434, 455, 456; D7/620, 622; D3/313,
D3/315, 316; 206/150, 151, 158, 159, 147,
206/199, 145, 141-143, 160-165, 427; 294/87.2,
294/87.28, 159

See application file for complete search history.

(56) **References Cited**

U.S. PATENT DOCUMENTS

3,203,582	A *	8/1965	Wagner, III	206/159
3,268,070	A *	8/1966	Cunningham	206/150
3,404,773	A *	10/1968	Kirby, Jr.	206/158
D237,465	S *	11/1975	Calvert	D9/752
D237,466	S *	11/1975	Calvert	D9/752
D237,589	S *	11/1975	Calvert	D9/752
D238,146	S *	12/1975	Calvert	D9/752
D238,249	S *	12/1975	Erickson	D9/752
D238,657	S *	2/1976	Erickson	D9/752
D280,773	S	9/1985	Addy et al.	
D329,380	S	9/1992	Hazlett et al.	
D331,698	S	12/1992	Pezzoli et al.	
D331,699	S	12/1992	Araujo et al.	
D332,401	S	1/1993	Araujo et al.	
D350,695	S *	9/1994	Adami et al.	D3/316
D361,513	S	8/1995	Adami et al.	
D386,408	S	11/1997	Wasielewski et al.	
5,707,096	A	1/1998	Gregory	

D395,825	S	7/1998	Freitas	
D396,133	S	7/1998	Stein	
D405,006	S *	2/1999	Spencer	D9/753
D408,277	S *	4/1999	Erickson	D9/752
D412,663	S *	8/1999	Erickson	D9/752
D444,706	S	7/2001	Giancaspro	
D447,952	S	9/2001	Valkovich	
D491,465	S	6/2004	Kelleghan	
D491,802	S *	6/2004	Griffith et al.	D9/759
D492,161	S	6/2004	Kaller et al.	
D494,471	S	8/2004	Chou	
D494,799	S	8/2004	Coe et al.	
D495,875	S	9/2004	Spence, Jr.	
D496,588	S	9/2004	Matsus	

(Continued)

Primary Examiner—Mark A Goodwin
(74) *Attorney, Agent, or Firm*—Sheridan Ross P.C.

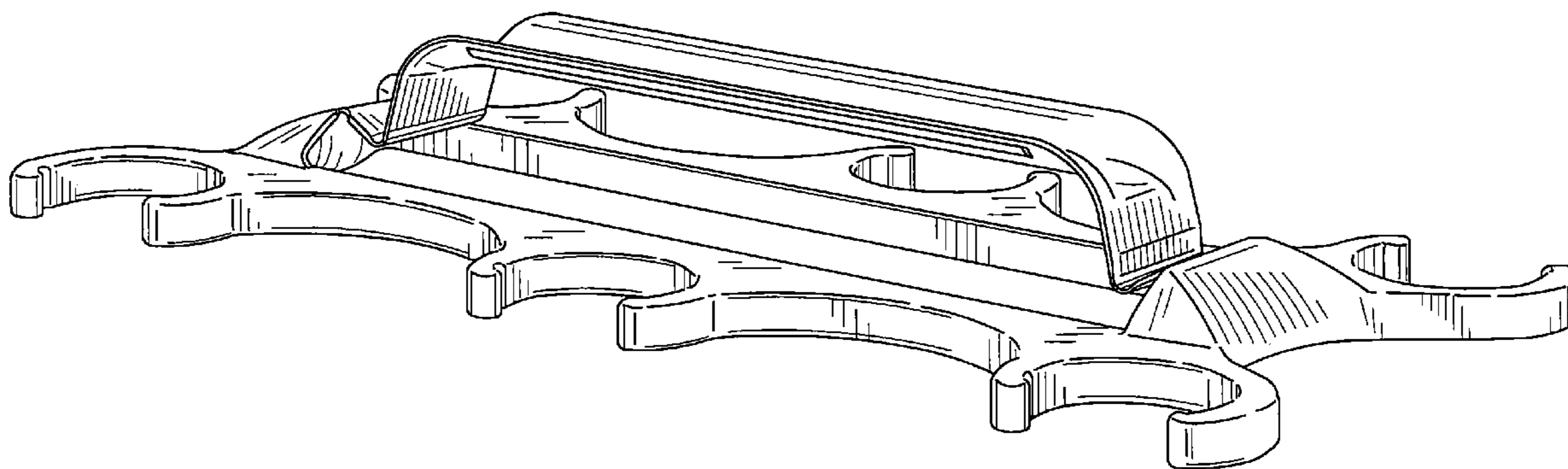
(57) **CLAIM**

The ornamental design for a bottle holder, as shown and described.

DESCRIPTION

FIG. 1 is a perspective view of a bottle holder showing the new design;
FIG. 2 is a perspective view thereof shown in a second position of use;
FIG. 3 is a top plan view of thereof;
FIG. 4 is a front elevation view thereof, the rear elevation view being identical thereto;
FIG. 5 is a right elevation view thereof, the left elevation view being identical thereto; and,
FIG. 6 is a bottom plan view thereof.

1 Claim, 5 Drawing Sheets



US D615,876 S

Page 2

U.S. PATENT DOCUMENTS

6,799,693	B2	10/2004	Meza	D509,354	S	9/2005	Tannenhauser
6,808,149	B1	10/2004	Sendowski et al.	D509,695	S	9/2005	Cuttino
D498,357	S	11/2004	Smith	6,938,861	B1	9/2005	Ballard
6,824,112	B2	11/2004	Lange	6,954,942	B2	10/2005	Austin
6,837,472	B1	1/2005	Beutz	6,961,961	B1	11/2005	Ezra
D502,406	S *	3/2005	Eddings D9/752	6,971,612	B1	12/2005	Wilson-Lowery
D503,870	S	4/2005	Marks et al.	6,986,487	B2	1/2006	Rich
D505,328	S	5/2005	Chan	D517,314	S	3/2006	Moyer
D507,868	S	8/2005	Ready	D528,436	S *	9/2006	Strepkoff D9/753
D507,870	S	8/2005	Anderton	D538,179	S *	3/2007	Horton et al. D9/752
D508,742	S	8/2005	Van Bekhoven	D538,180	S *	3/2007	Horton et al. D9/752
				2009/0308763	A1 *	12/2009	Oster 206/145

* cited by examiner

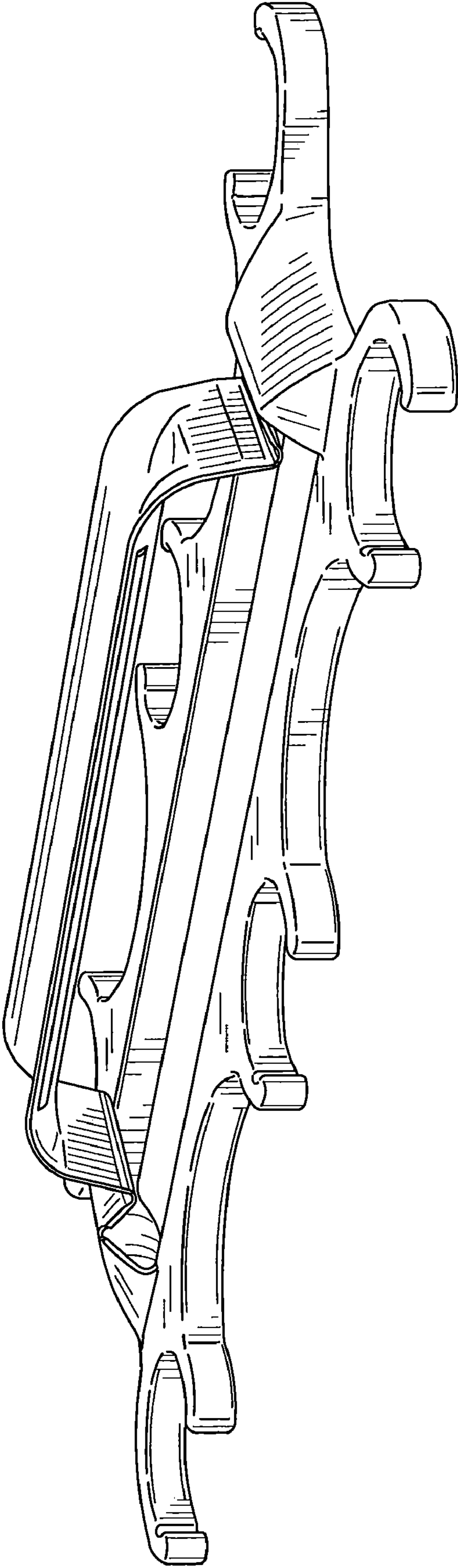


Fig. 1

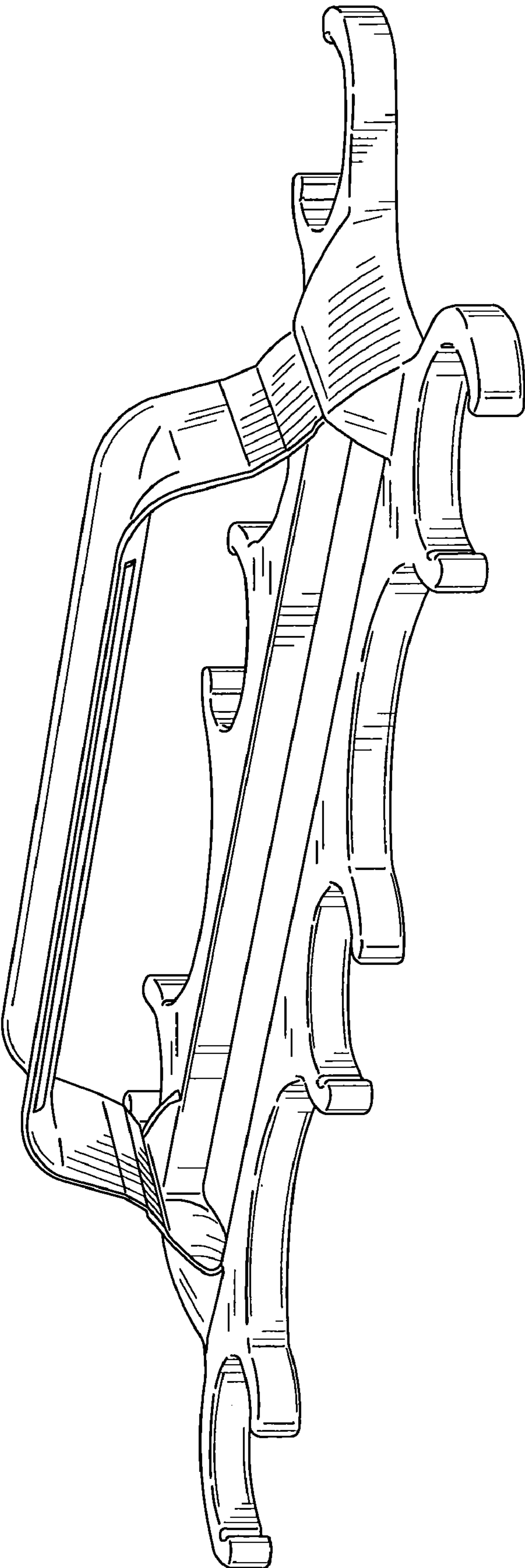


Fig. 2

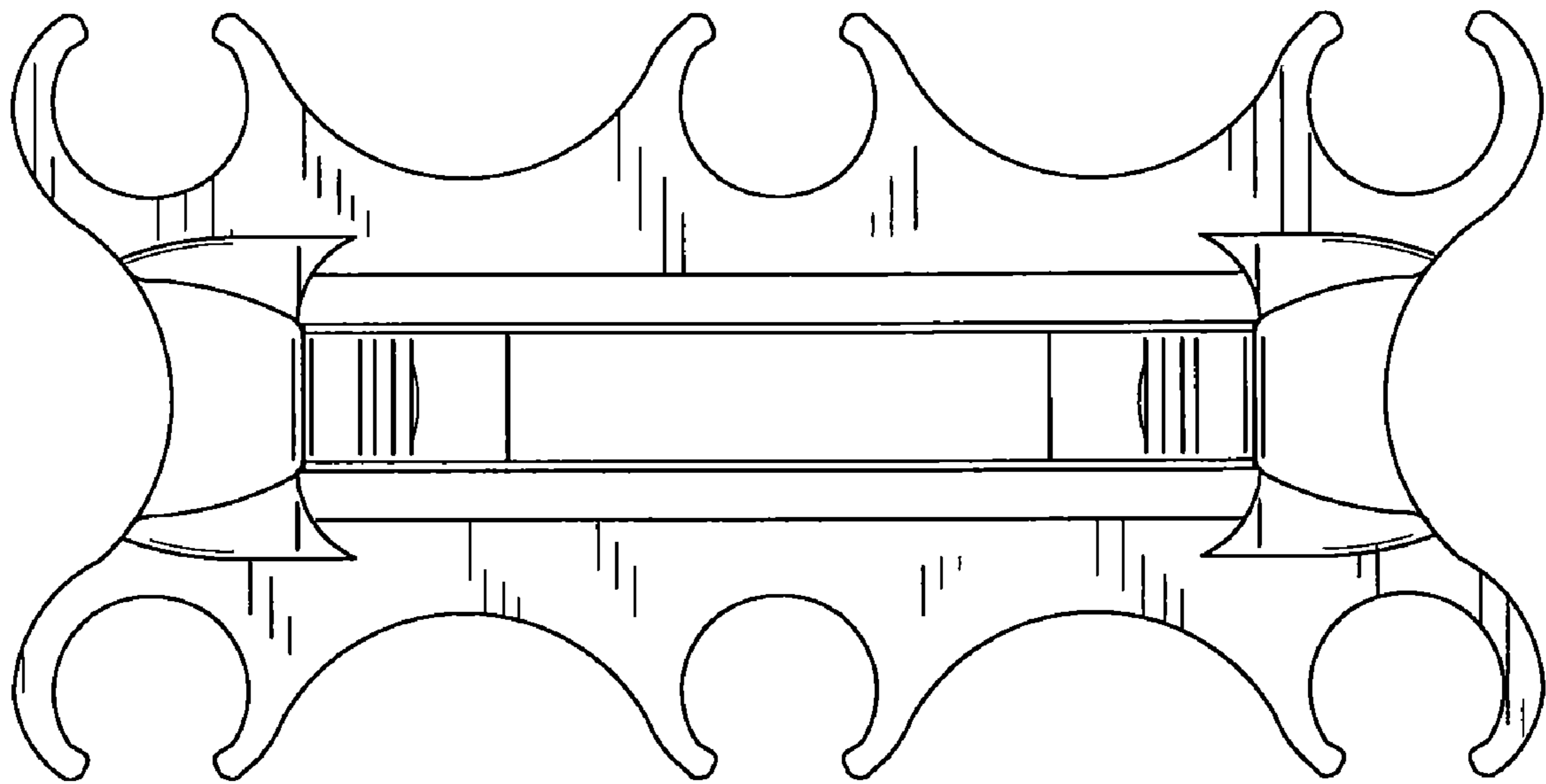


Fig. 3

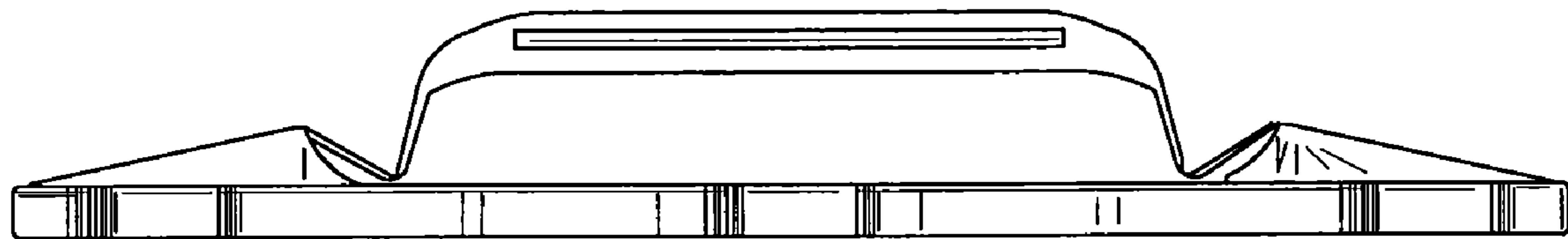


Fig. 4

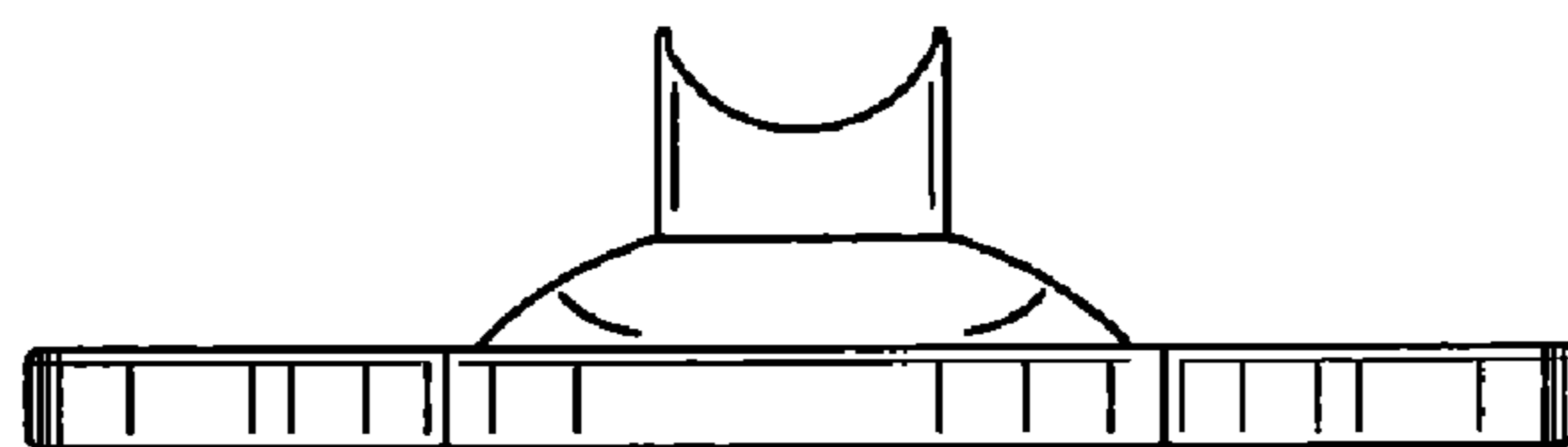


Fig. 5

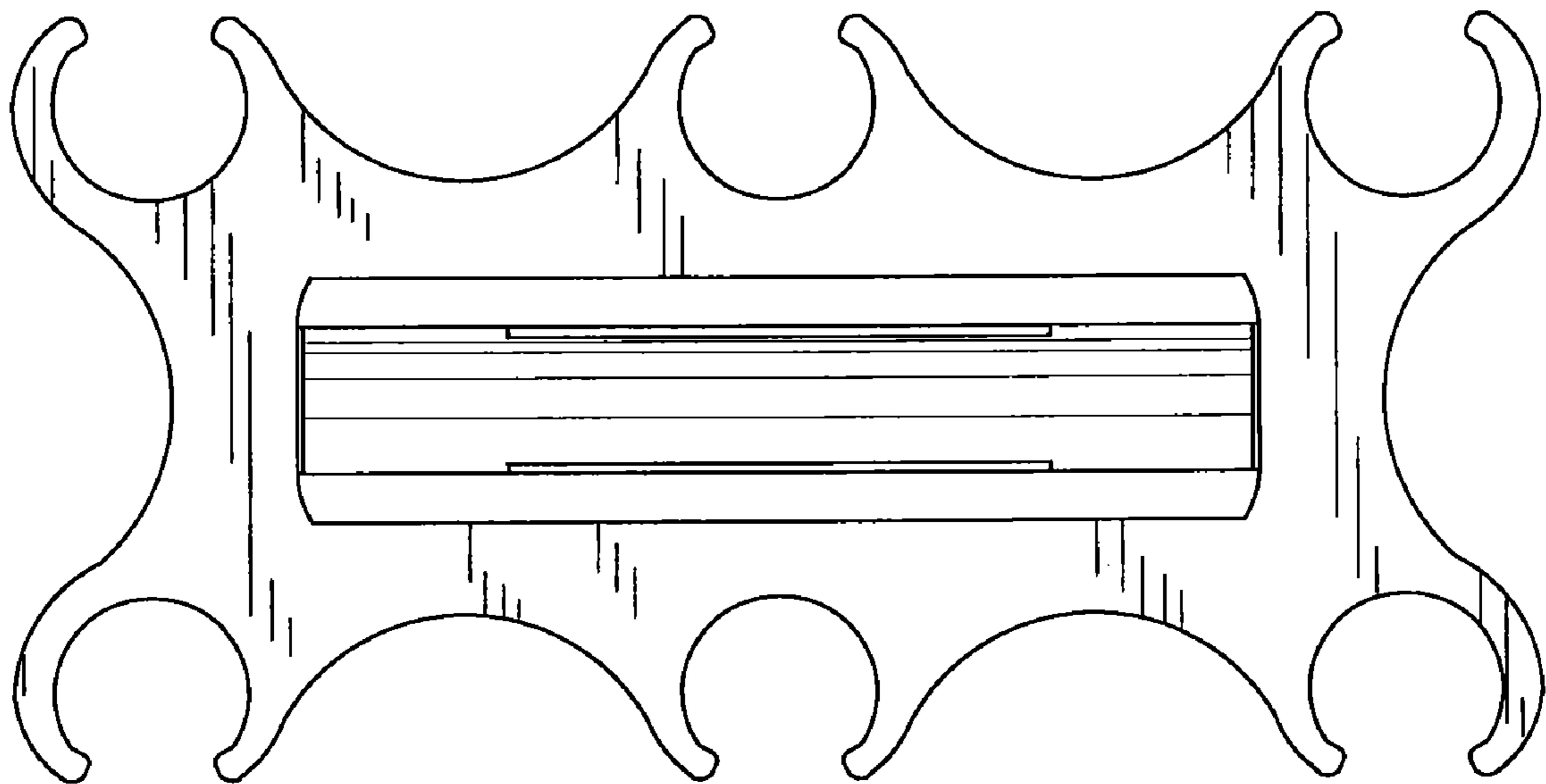


Fig. 6