

US00D615872S

(12) **United States Design Patent**
Regas

(10) **Patent No.:** **US D615,872 S**

(45) **Date of Patent:** **** May 18, 2010**

(54) **BEVERAGE CONTAINER**

(76) Inventor: **John P Regas**, 28681 Via Pasatiempo,
Laguna Niguel, CA (US) 92677

(**) Term: **14 Years**

(21) Appl. No.: **29/341,313**

(22) Filed: **Aug. 3, 2009**

Related U.S. Application Data

(62) Division of application No. 29/303,768, filed on Feb.
15, 2008, now Pat. No. Des. 597,414.

(51) **LOC (9) Cl.** **09-01**

(52) **U.S. Cl.** **D9/675**

(58) **Field of Classification Search** D3/270-271.1,
D3/271.11-271.12; D7/514-517, 519-520;
D9/600, 672-677, 516, 522-523, 530, 537-543,
D9/572-575; D21/548-551, 563; 206/457,
206/822; 220/890; 229/116.1-116.3

See application file for complete search history.

(56) **References Cited**

U.S. PATENT DOCUMENTS

1,553,793 A	9/1925	Rozowsky	
4,646,959 A	3/1987	Sheffer	
D378,227 S *	2/1997	Barzani D21/563
D416,478 S	11/1999	Craven et al.	
D423,886 S	5/2000	Lieblein	
D458,140 S	6/2002	Hutchins	
D517,729 S	3/2006	Angeletta	

D559,108 S	1/2008	Regas
D597,415 S	8/2009	Regas
D598,298 S	8/2009	Regas

OTHER PUBLICATIONS

Related not yet published U.S. Appl. No. 29/341,310 to John P. Regas.

Related not yet published U.S. Appl. No. 29/342,032 to John P. Regas.

* cited by examiner

Primary Examiner—Sandra Morris

(74) *Attorney, Agent, or Firm*—Knobbe Martens Olson & Bear, LLP

(57) **CLAIM**

The ornamental design for a beverage container, as shown and described.

DESCRIPTION

FIG. 1 is a perspective view of a beverage container showing my new design in accordance with the invention;

FIG. 2 is a front elevational view of the design of FIG. 1;

FIG. 3 is a rear elevational view of the design of FIG. 1;

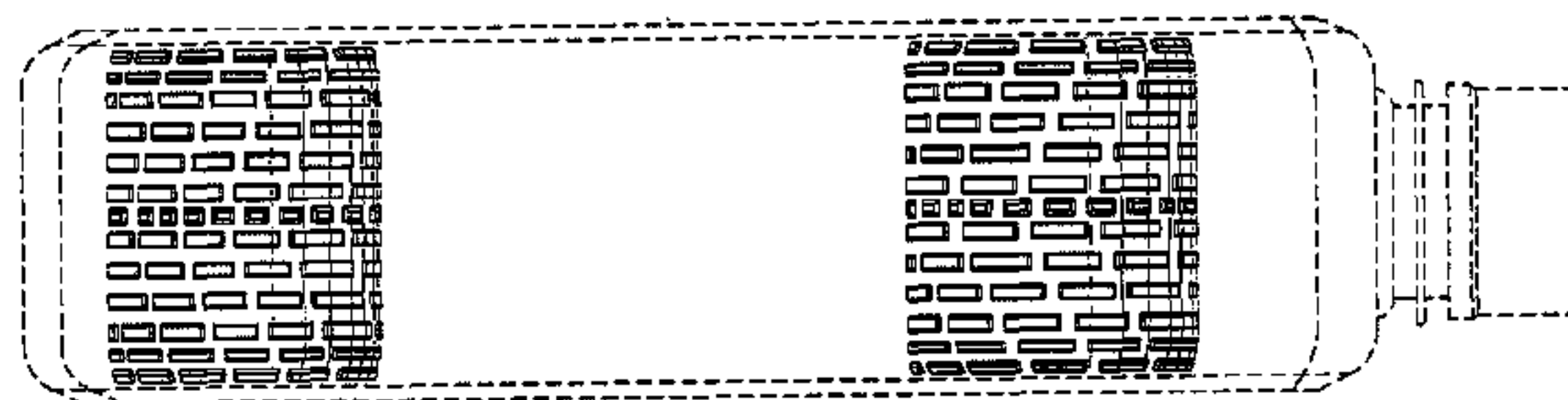
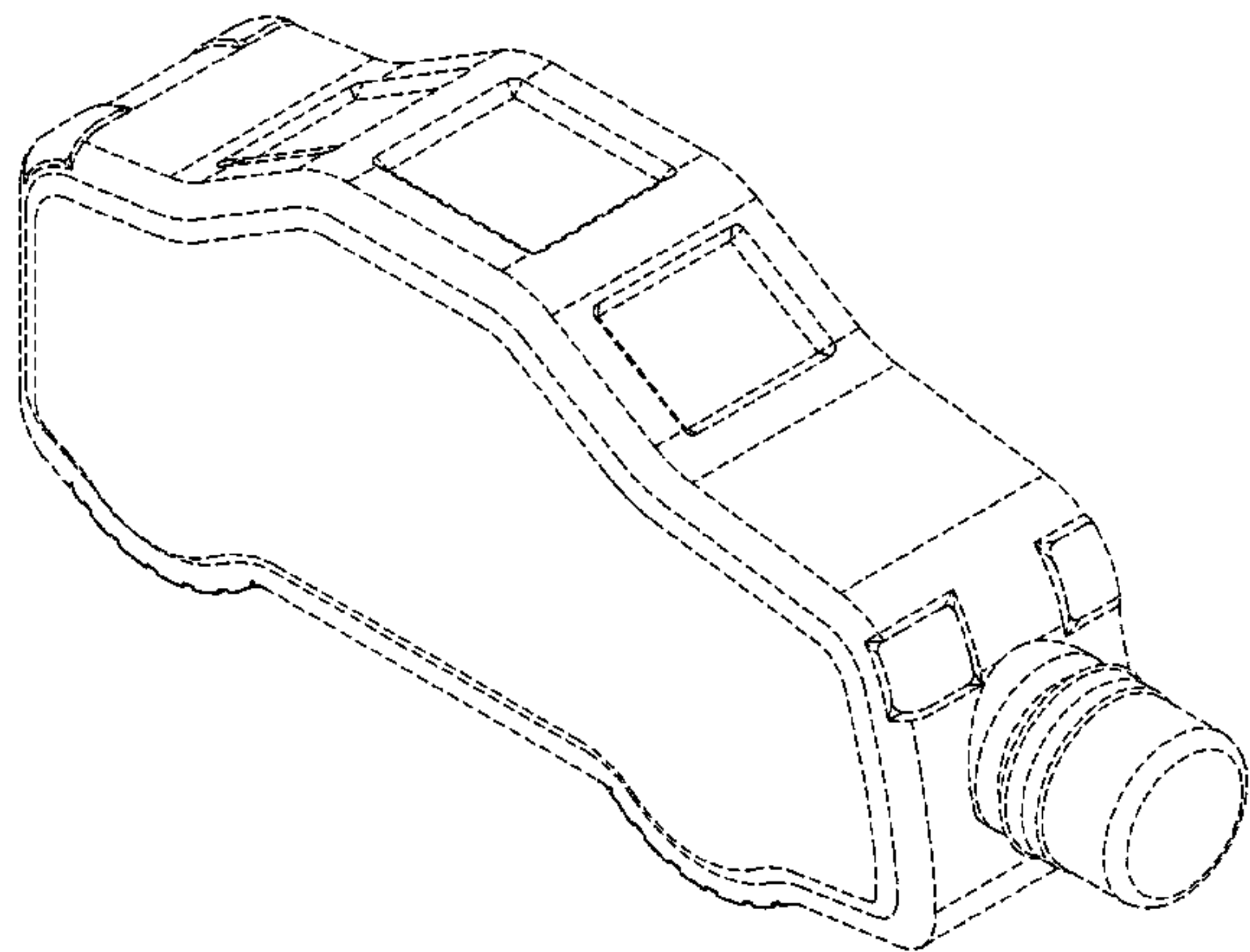
FIG. 4 is a right side elevational view of the design of FIG. 1, the left side being a mirror image thereof;

FIG. 5 is a top elevational view of the design of FIG. 1; and,

FIG. 6 is a bottom elevational view of the design of FIG. 1.

The broken lines shown in the drawings form no part of the claimed design.

1 Claim, 4 Drawing Sheets



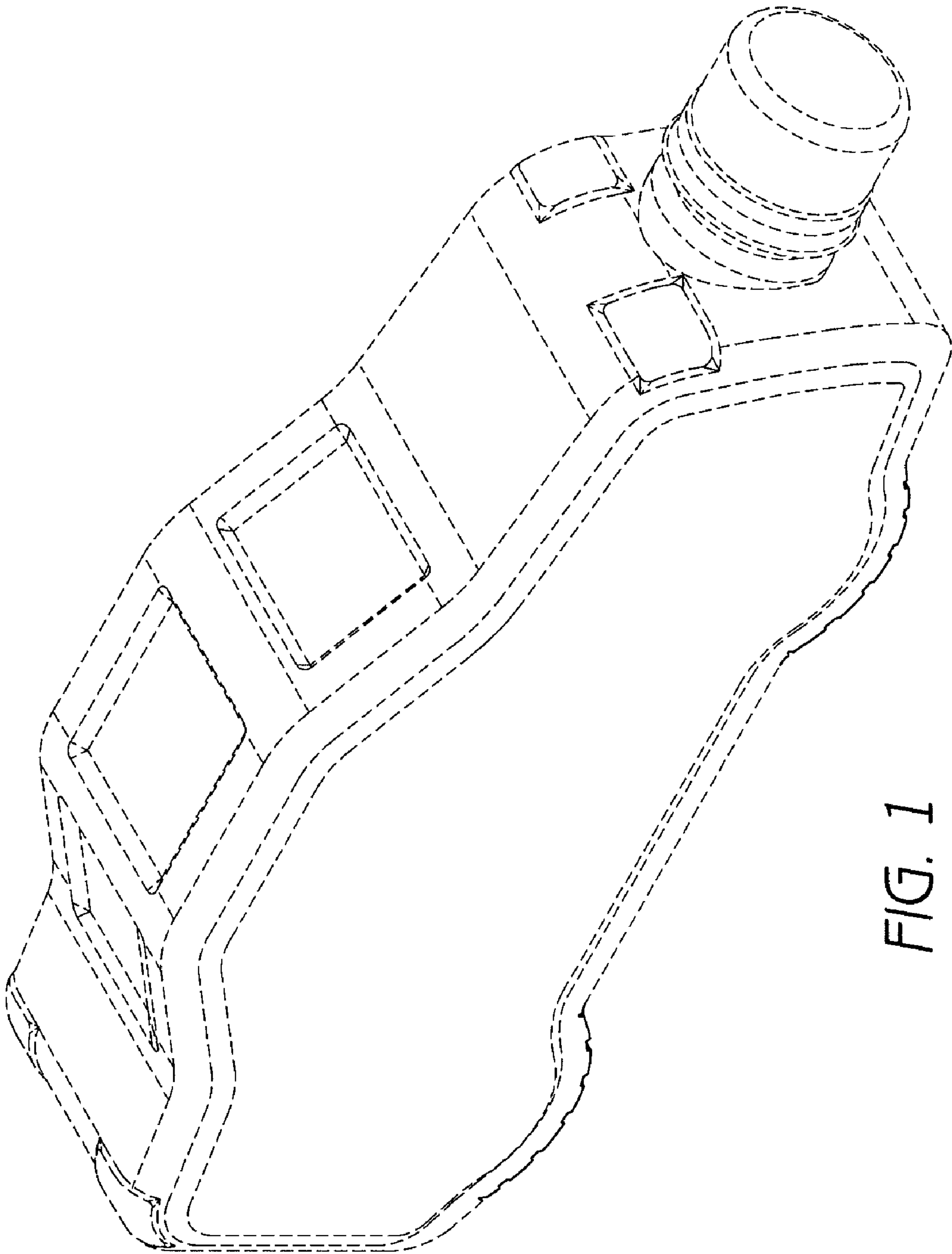


FIG. 1

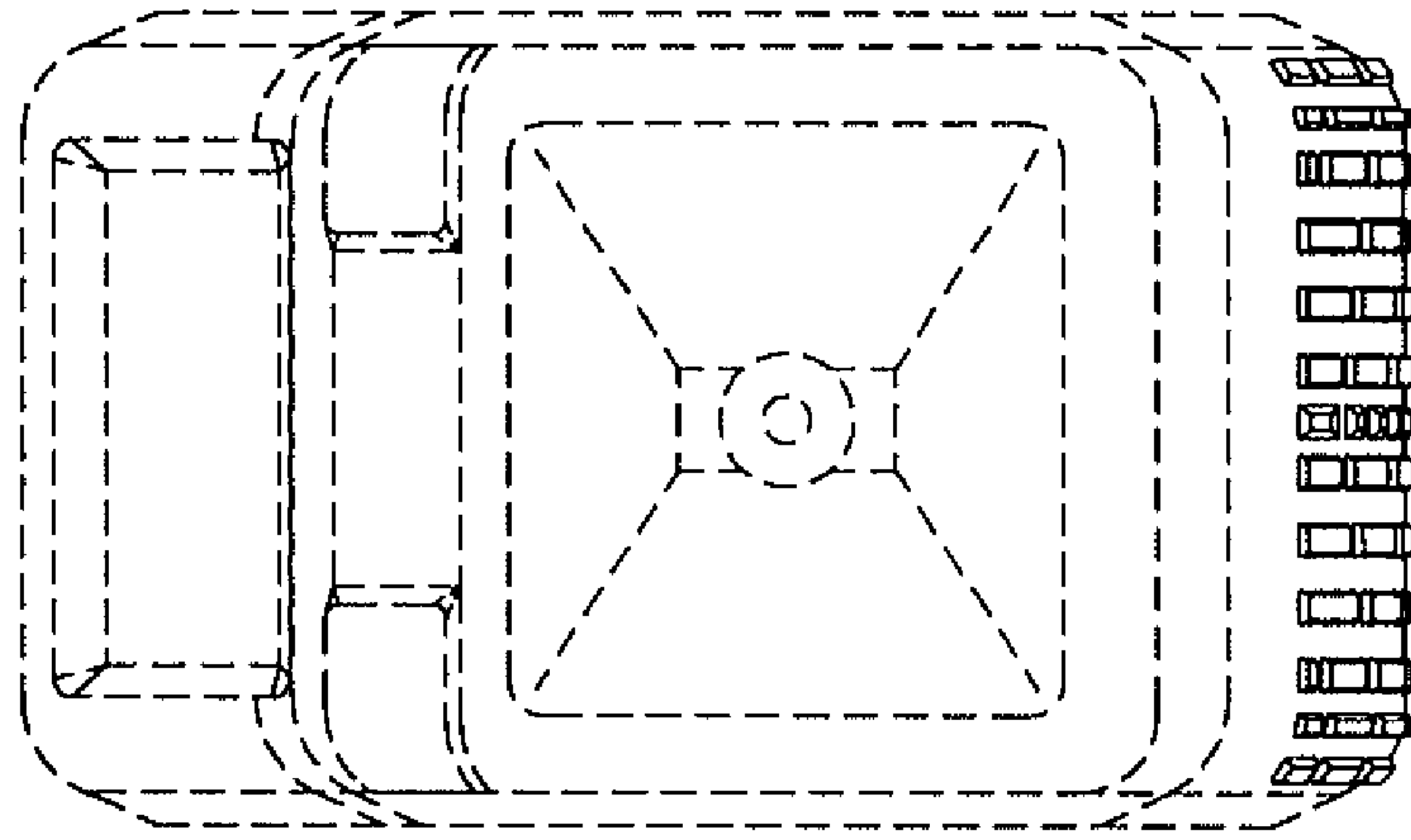


FIG. 2

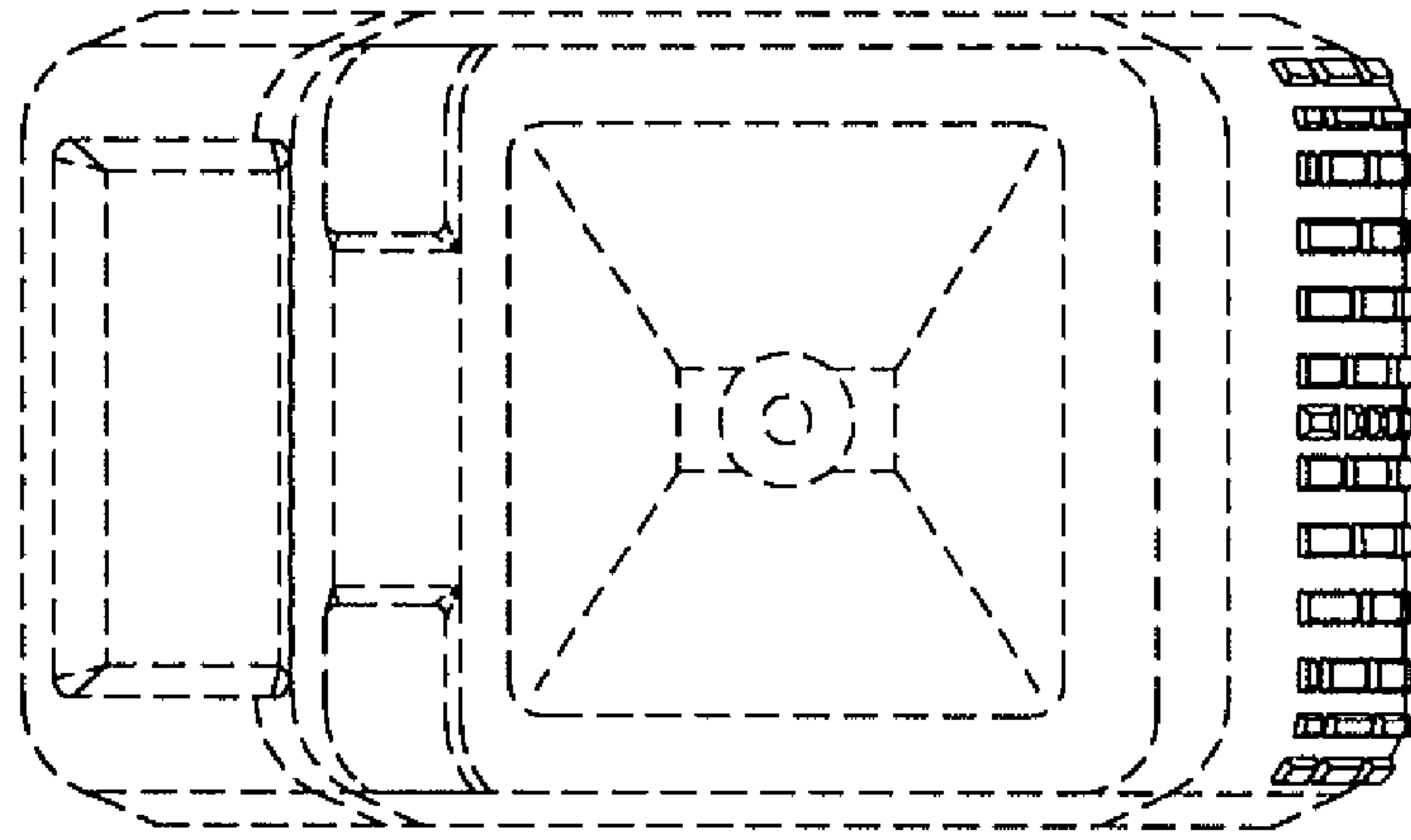


FIG. 3

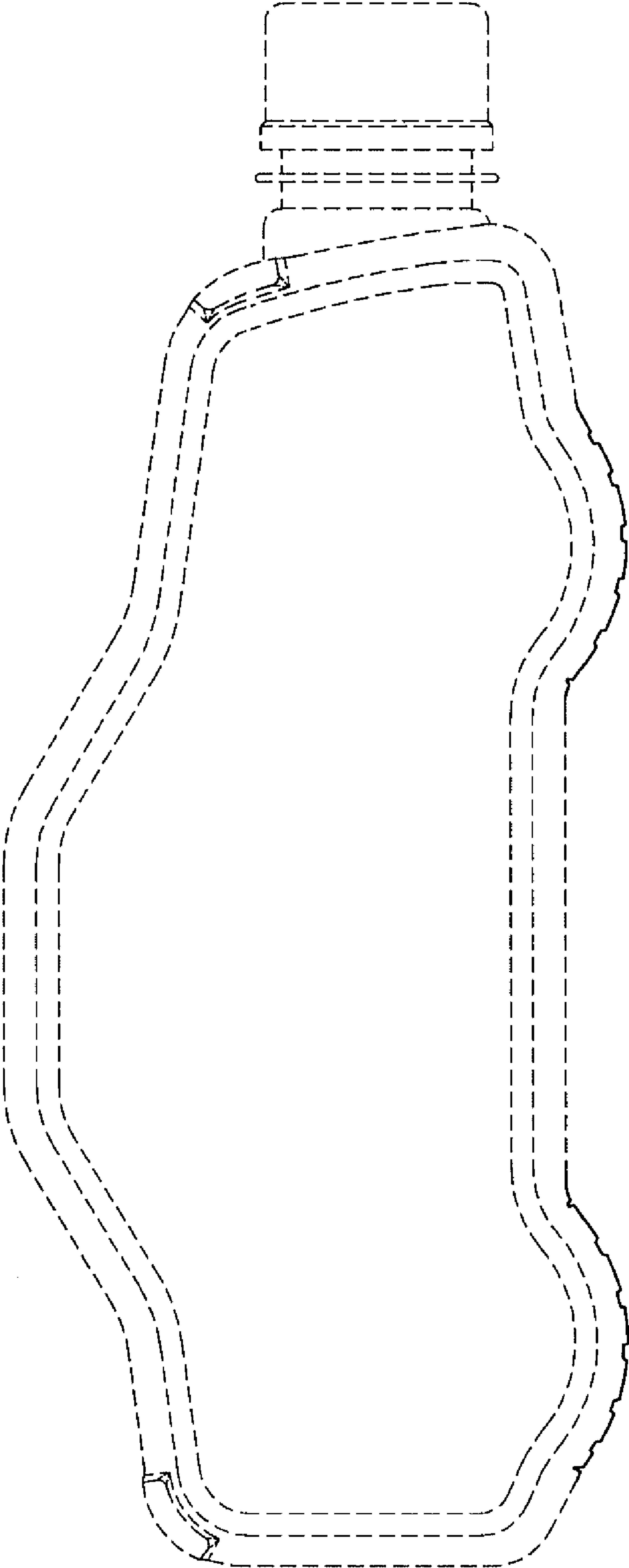


FIG. 4

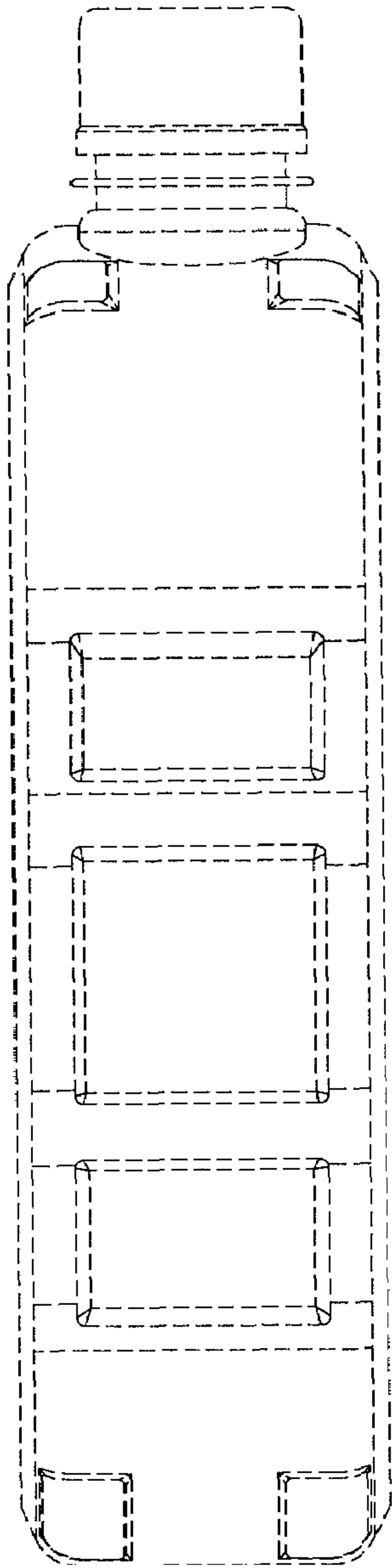


FIG. 5

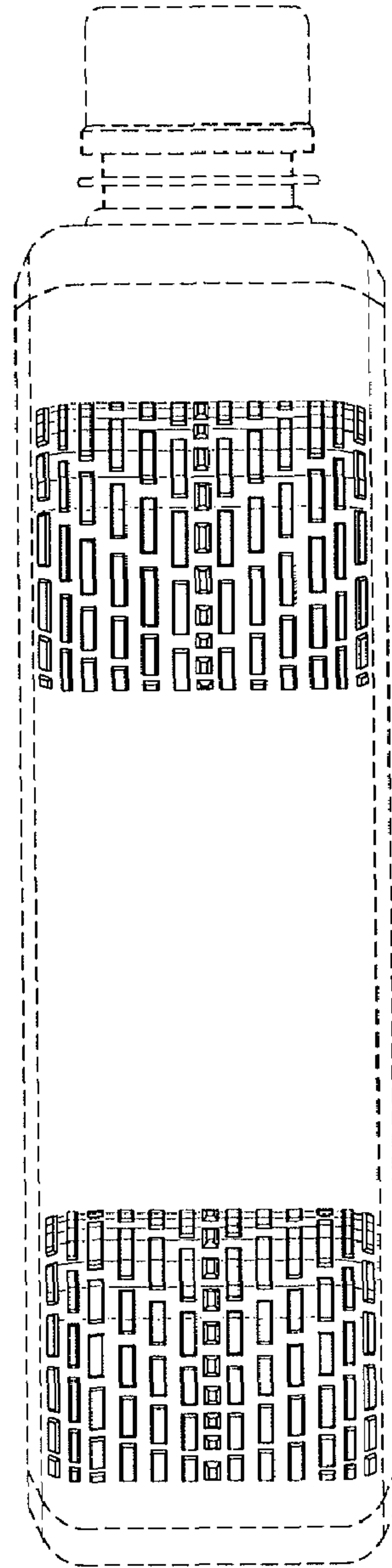


FIG. 6