



US00D615868S

(12) **United States Design Patent**
Rodriguez et al.

(10) **Patent No.:** **US D615,868 S**

(45) **Date of Patent:** **** May 18, 2010**

(54) **CREAM JAR**

(75) Inventors: **Yamilca Del Carmen Rodriguez**, Cincinnati, OH (US); **Stacy Alycia Thomas Castro**, Chicago, IL (US)

(73) Assignee: **The Procter & Gamble Company**, Cincinnati, OH (US)

(**) Term: **14 Years**

(21) Appl. No.: **29/318,086**

(22) Filed: **May 13, 2008**

(51) **LOC (9) Cl.** **09-01**

(52) **U.S. Cl.** **D9/529; D9/435; D28/76**

(58) **Field of Classification Search** D9/434, D9/435, 445, 454, 516, 519, 529, 530, 537-539, D9/542, 549, 551-555, 558; 215/381-385; D28/76-78, 82; 220/662, 669, 675
See application file for complete search history.

(56) **References Cited**

U.S. PATENT DOCUMENTS

D231,968 S *	7/1974	Juhlin	D7/538
D371,970 S *	7/1996	Desgrippes	D9/573
D392,889 S *	3/1998	Liu	D9/504
D446,456 S *	8/2001	Adachi et al.	D9/529
D504,615 S *	5/2005	Papiernik	D9/519
D540,689 S *	4/2007	Dorfmueller	D9/560

(Continued)

Primary Examiner—Stella M Reid

Assistant Examiner—Keli L Hill

(74) *Attorney, Agent, or Firm*—Eric T. Addington; John M. Howell; S. Robert Chuey

(57) **CLAIM**

The ornamental design for a cream jar, as shown and described.

DESCRIPTION

FIG. 1 is a perspective view showing our new design for a cream jar, wherein the inner cream containment portion is visible through the outer body portion;

FIG. 2 is a front elevational view of FIG. 1;

FIG. 3 is a right side elevational view of FIG. 1;

FIG. 4 is a top plan view of FIG. 1; and

FIG. 5 is a bottom plan view of FIG. 1.

FIG. 6 is a perspective view showing a second embodiment of our new design for a cream jar, differentiated from the preceding embodiment by the orange color indicated by the cross-hatching thereon;

FIG. 7 is a front elevational view of FIG. 6

FIG. 8 is a right side elevational view of FIG. 6;

FIG. 9 is a top plan view of FIG. 6; and,

FIG. 10 is a bottom plan view of FIG. 6.

FIG. 11 is a perspective view showing a third embodiment of our new design for a cream jar, differentiated from the preceding embodiments by the color contrast indicated by the stippling thereon;

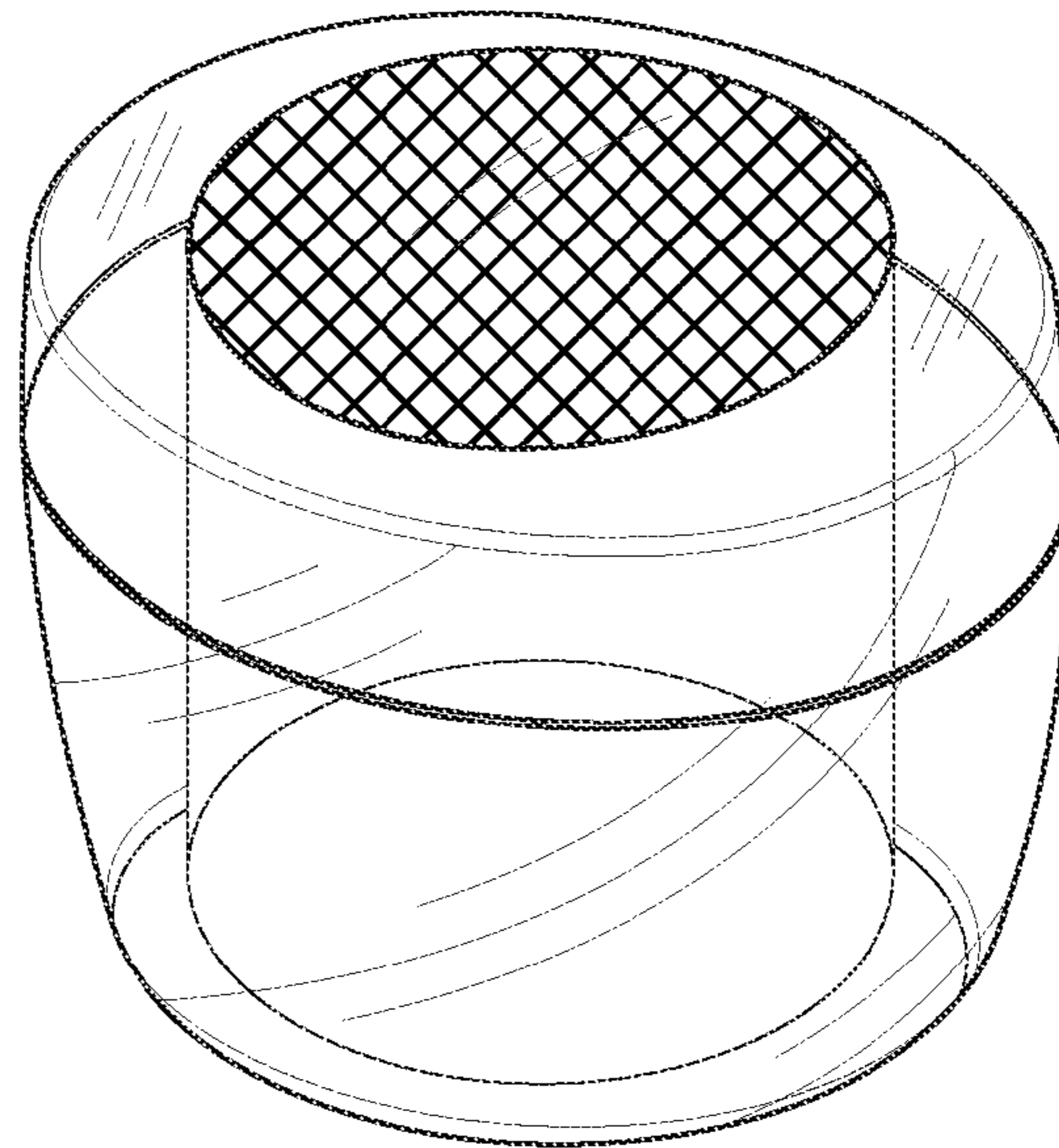
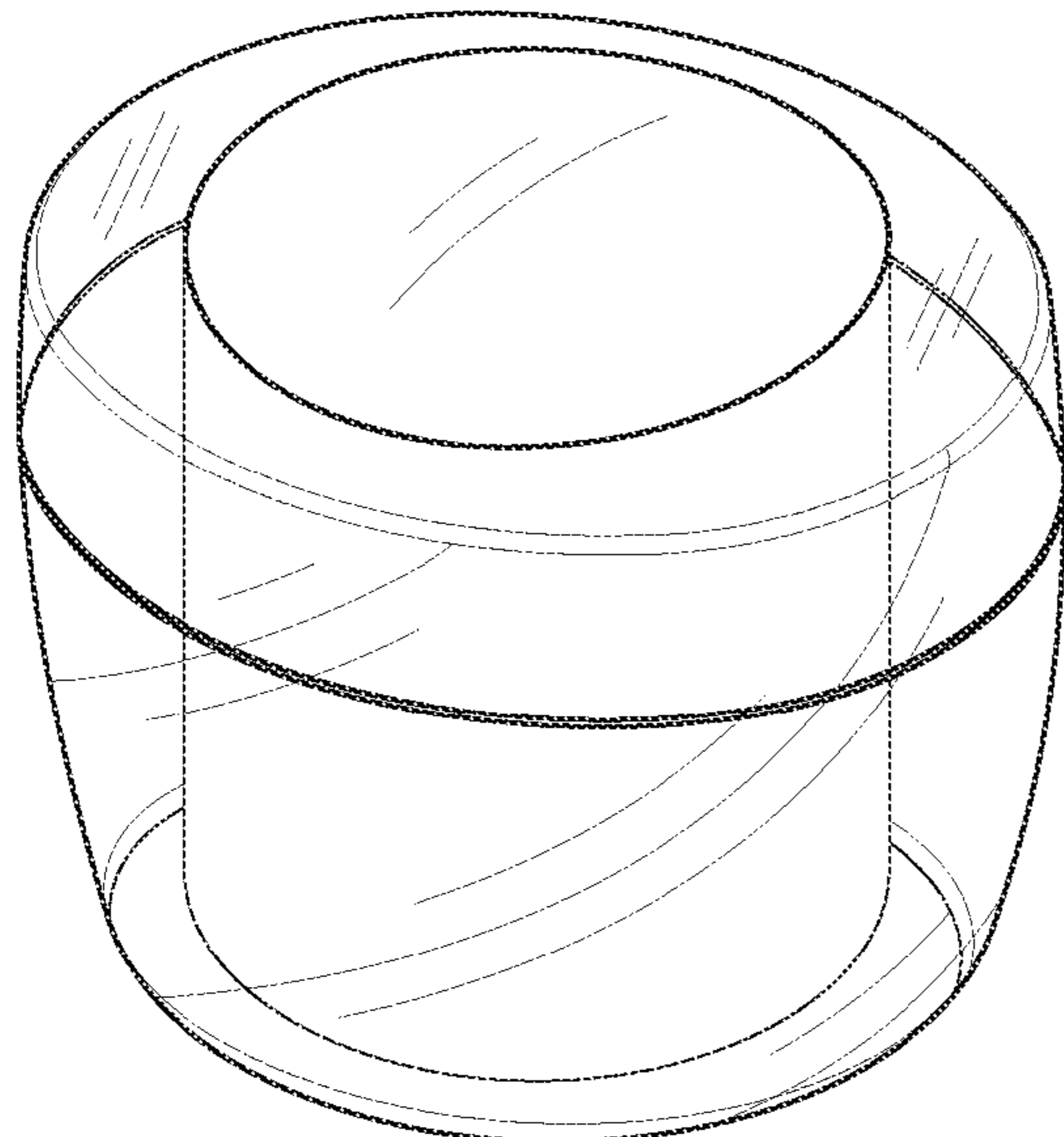
FIG. 12 is a front elevational view of FIG. 11;

FIG. 13 a right side elevational view of FIG. 11;

FIG. 14 is a top plan view of FIG. 11; and,

FIG. 15 is a bottom plan view of FIG. 11.

1 Claim, 9 Drawing Sheets



US D615,868 S

Page 2

U.S. PATENT DOCUMENTS

D547,661 S *	7/2007	Blasko et al.	D9/529	D595,578 S *	7/2009	Del Tedesco Zamberlan et al.	D9/504
D561,943 S *	2/2008	Desdoigts	D28/82	D597,409 S *	8/2009	Ruybal	D9/529
D588,011 S *	3/2009	Shimizu	D9/552	D603,266 S *	11/2009	Dibnah et al.	D9/529
D595,577 S *	7/2009	Uneno	D9/504	* cited by examiner			

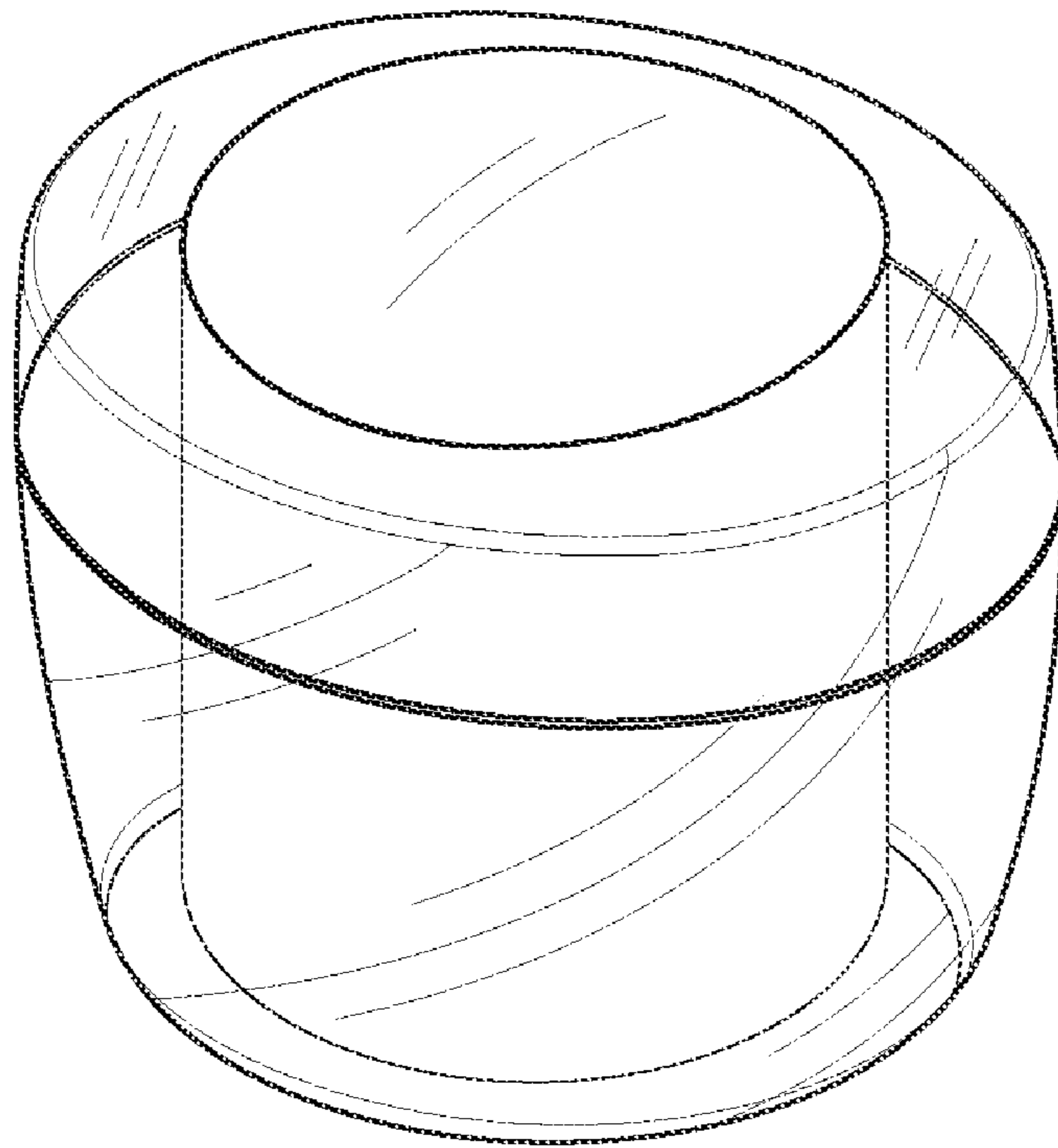


Fig. 1

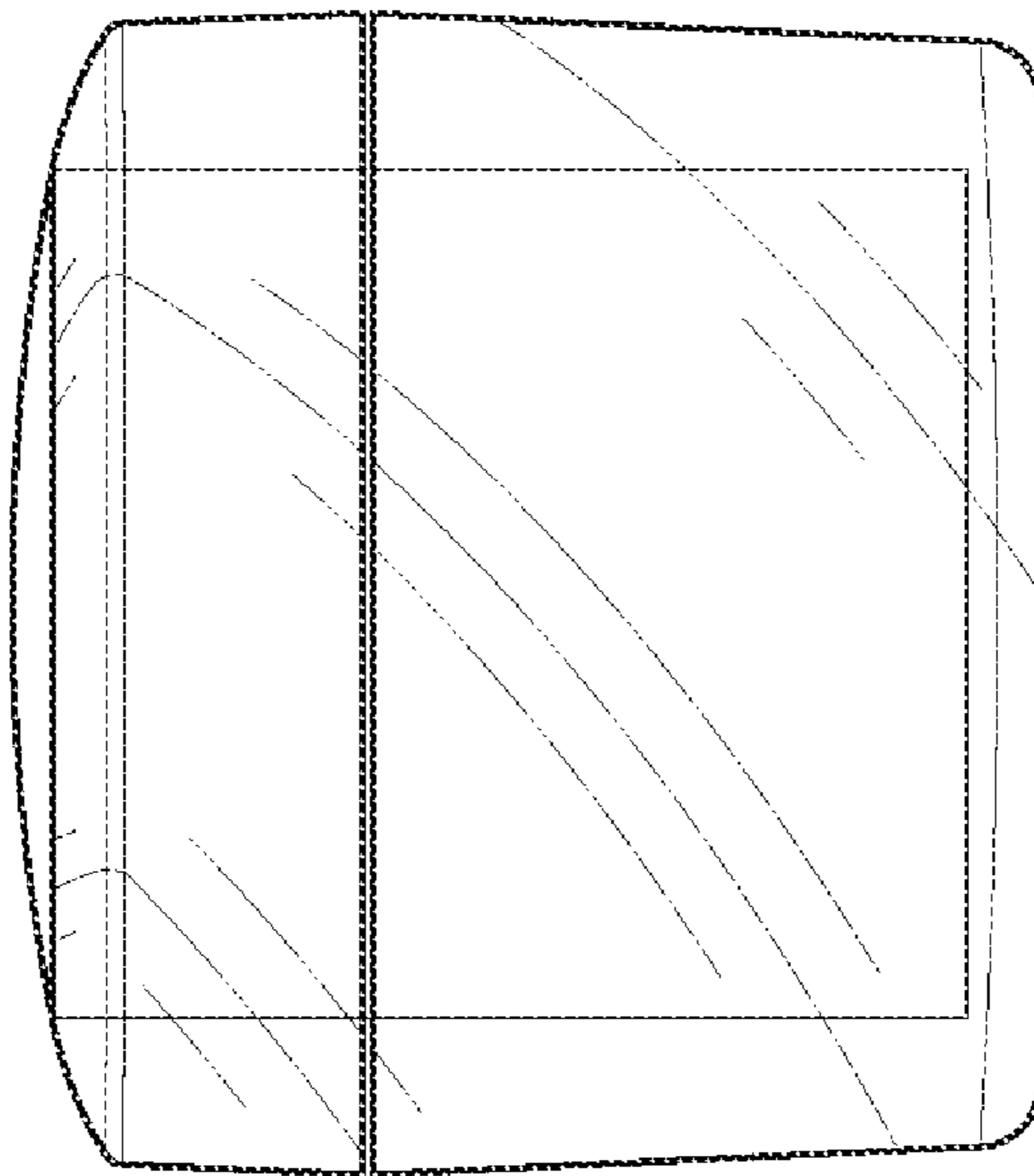


Fig. 3

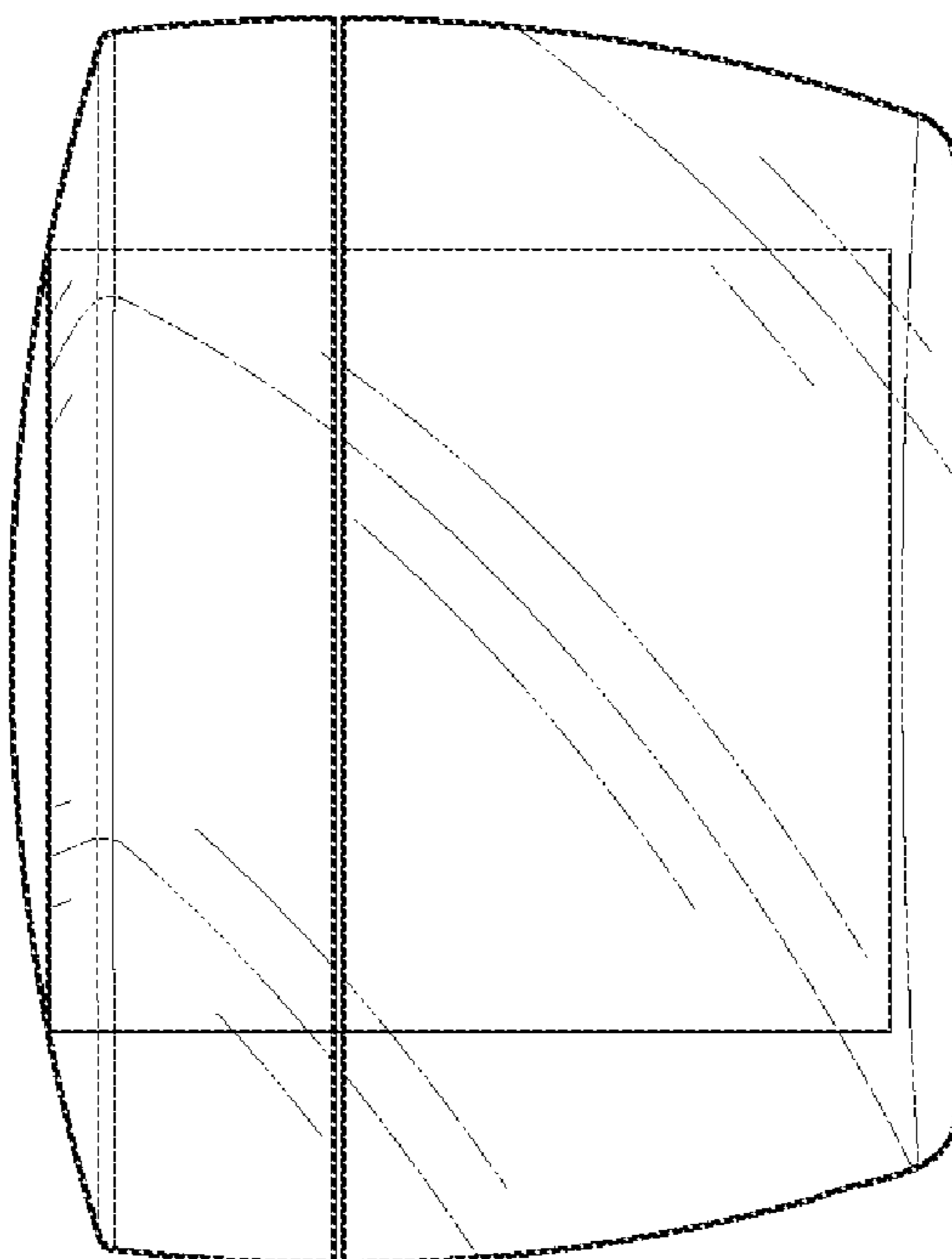


Fig. 2

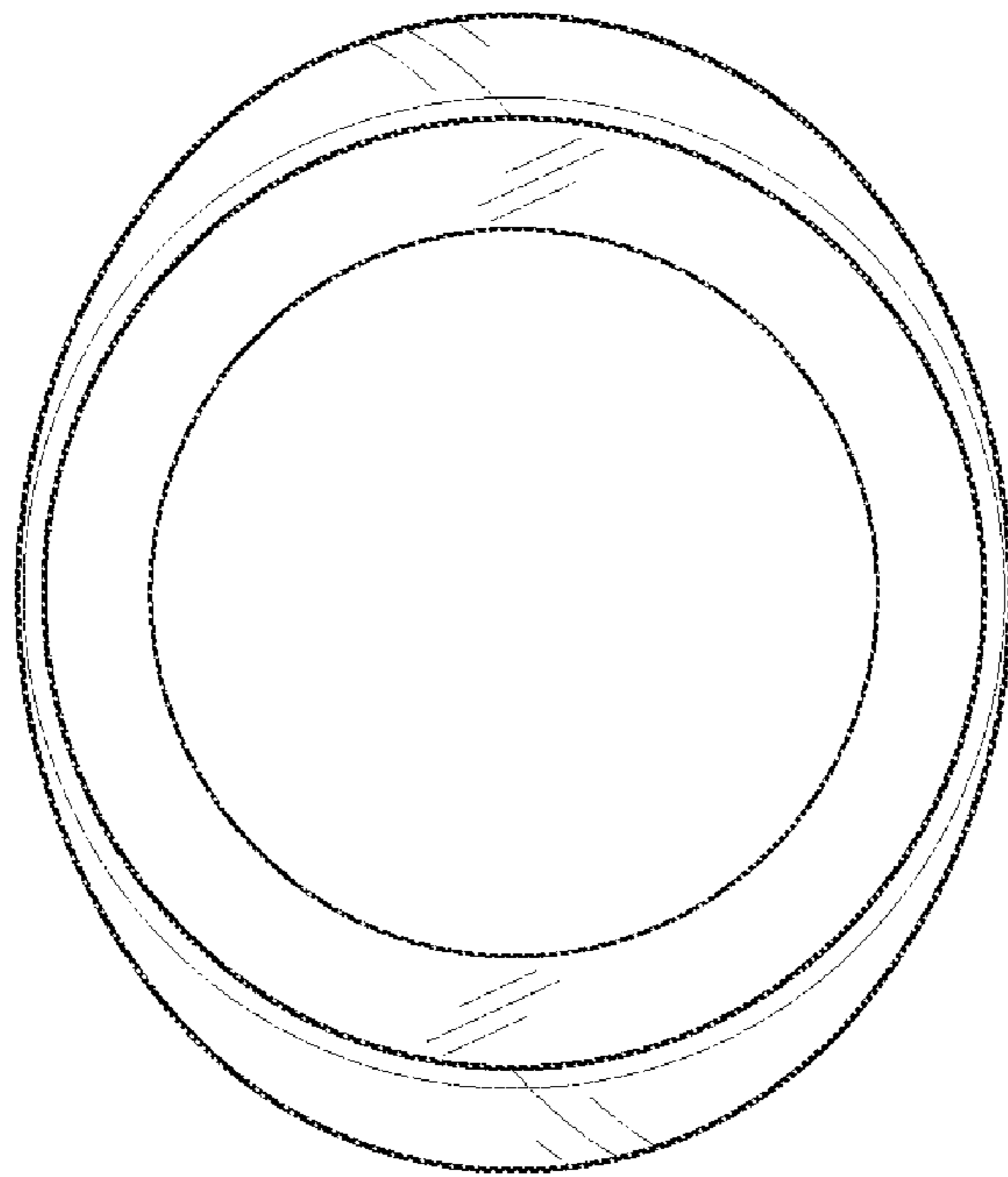


Fig. 5

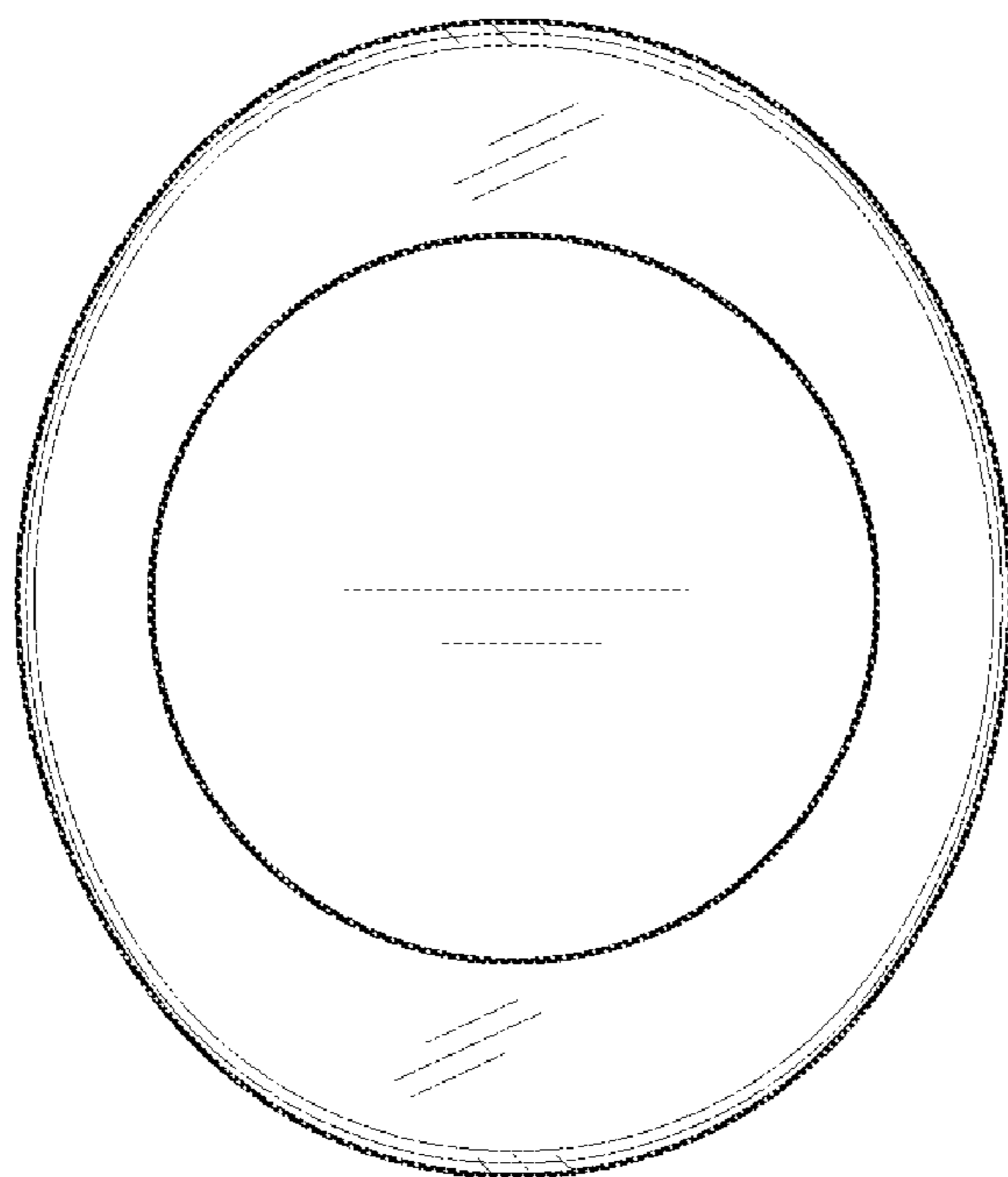


Fig. 4

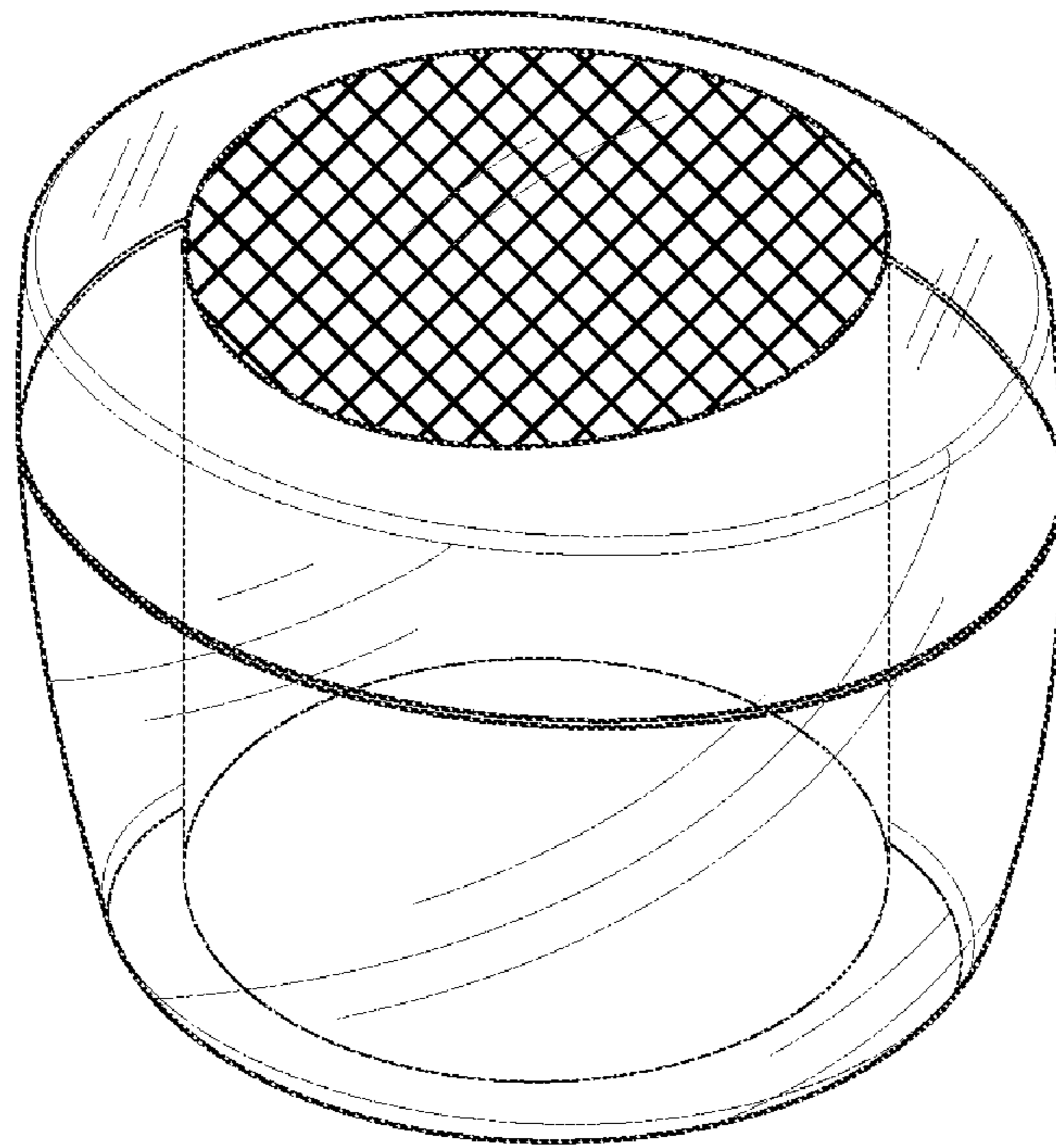


Fig. 6

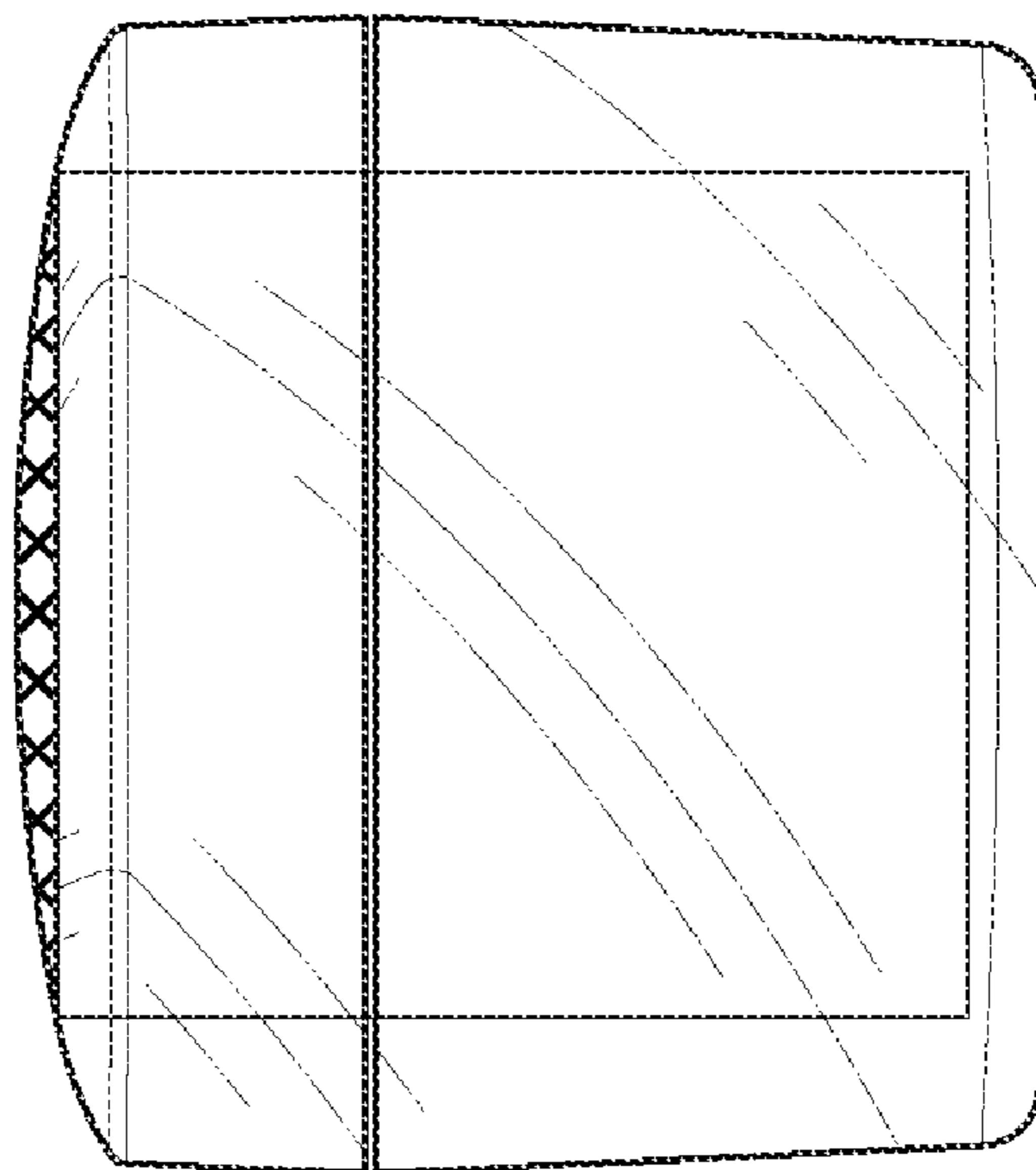


Fig. 7

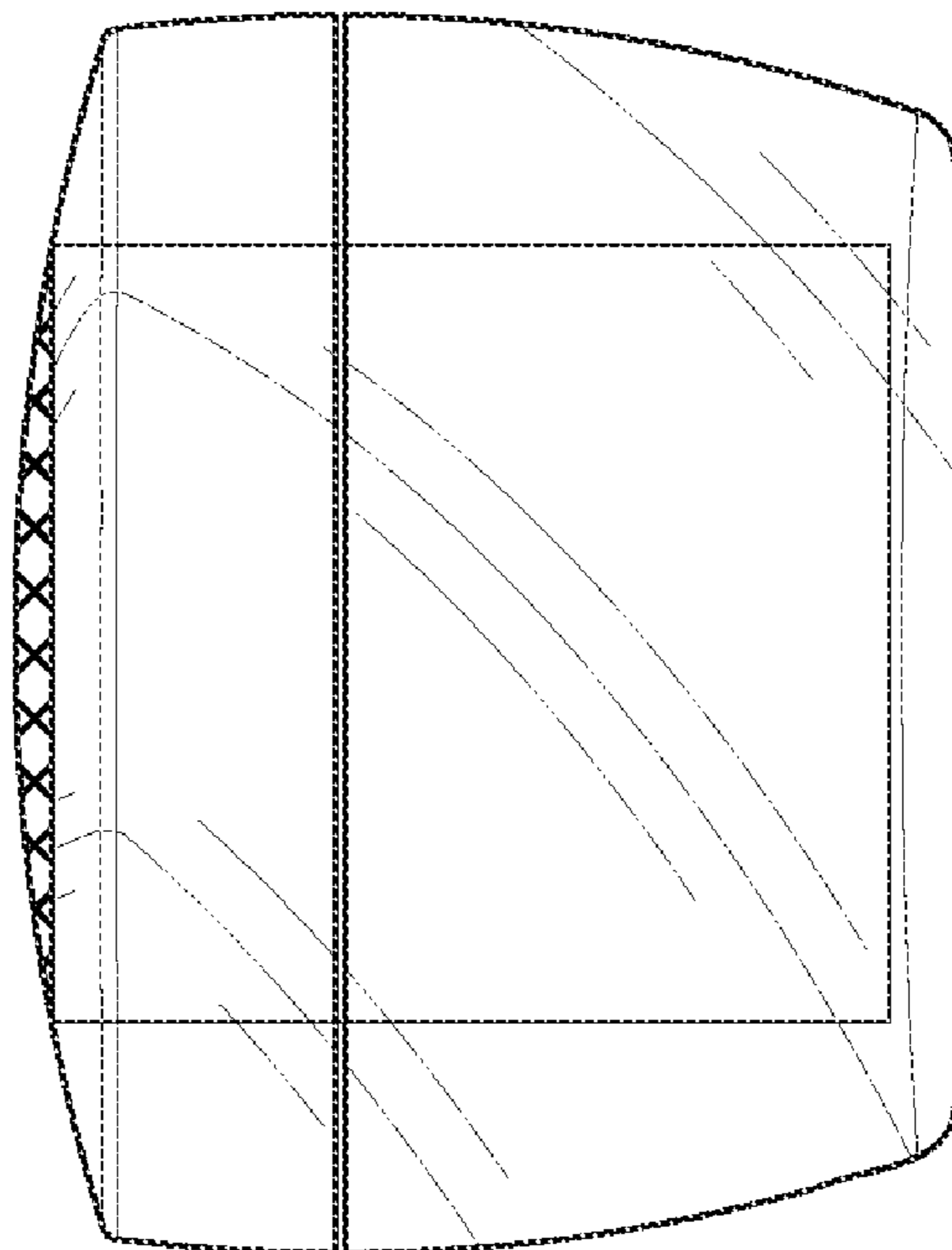


Fig. 8

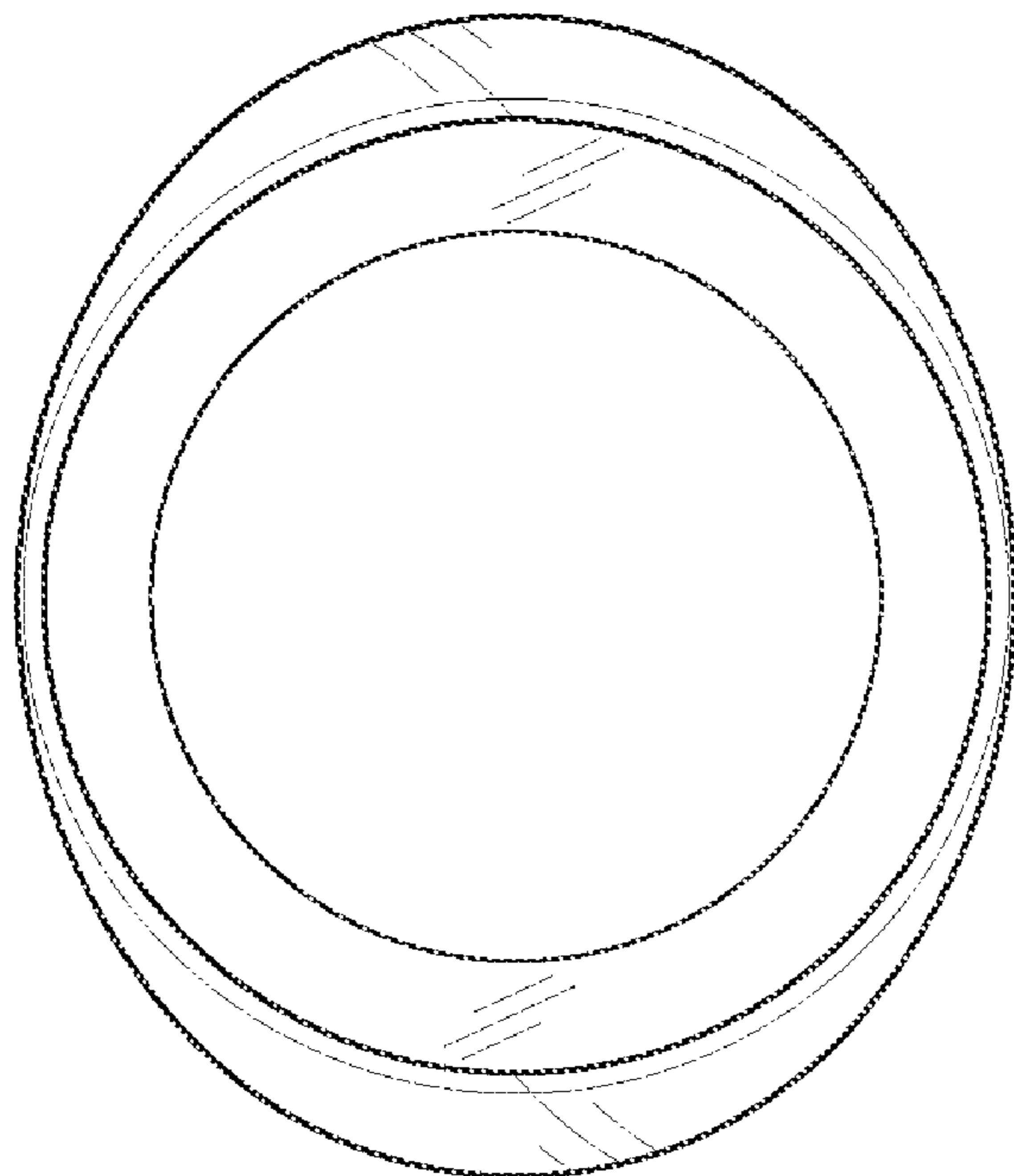


Fig. 9

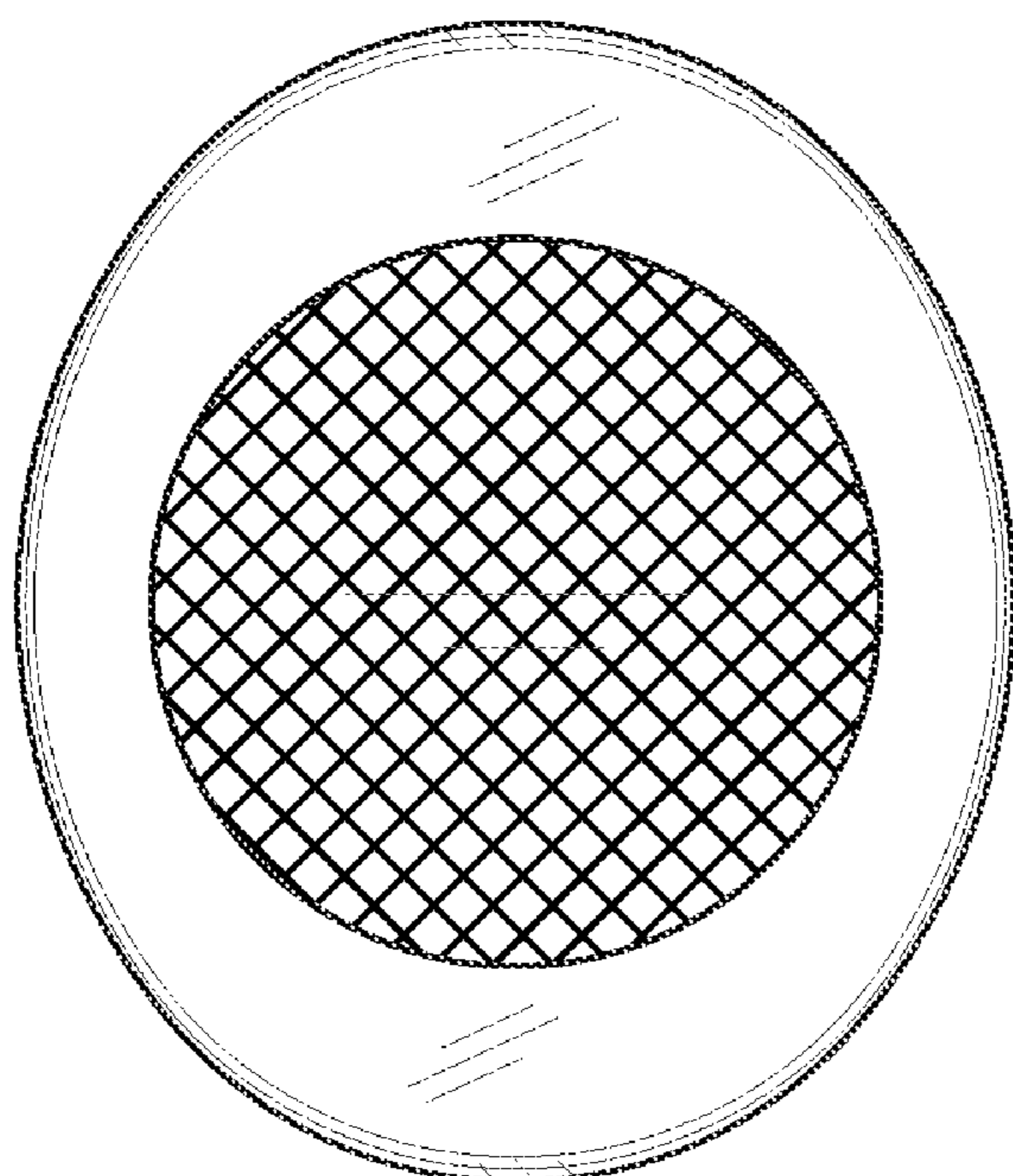


Fig. 10

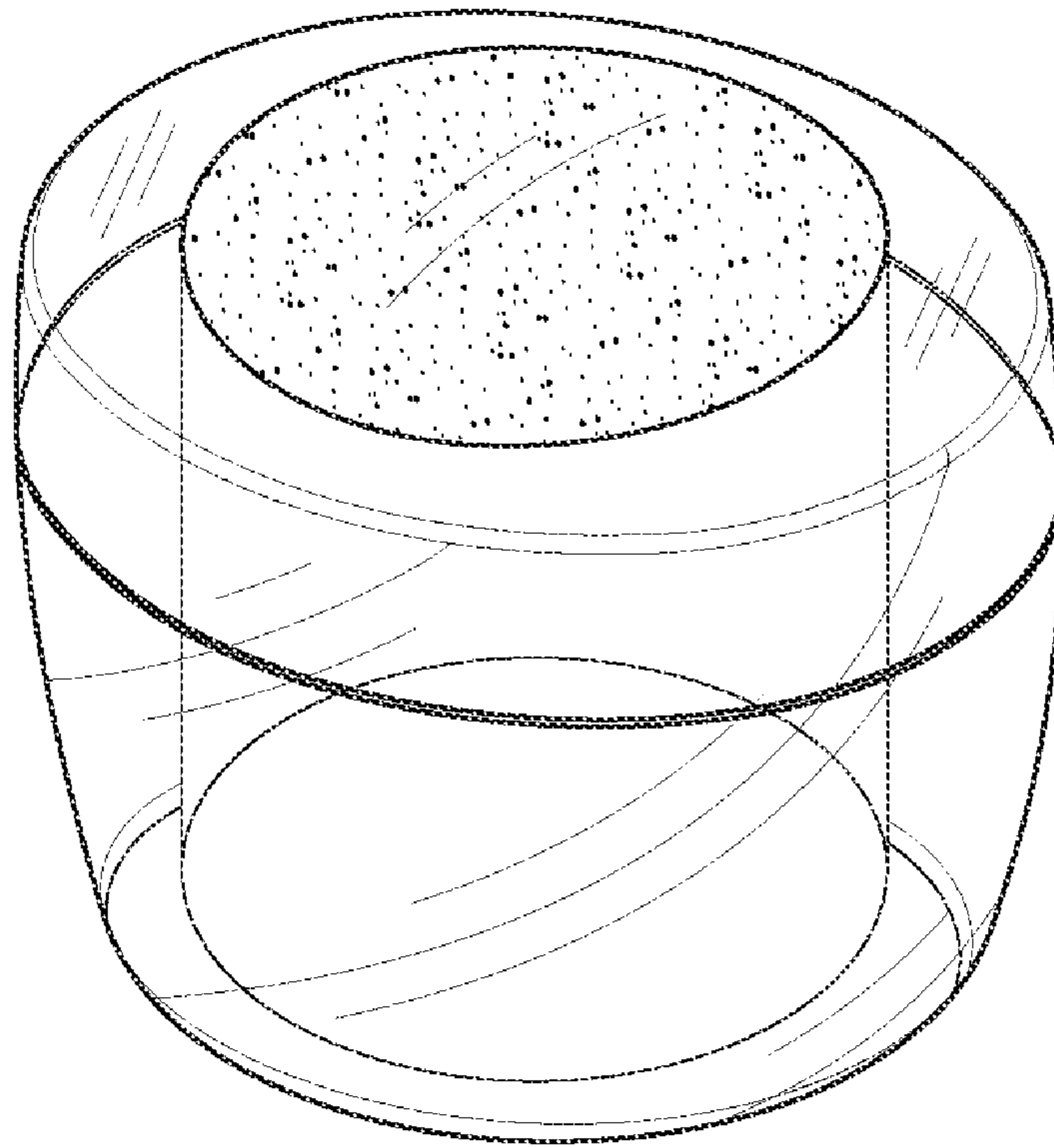


Fig. 11

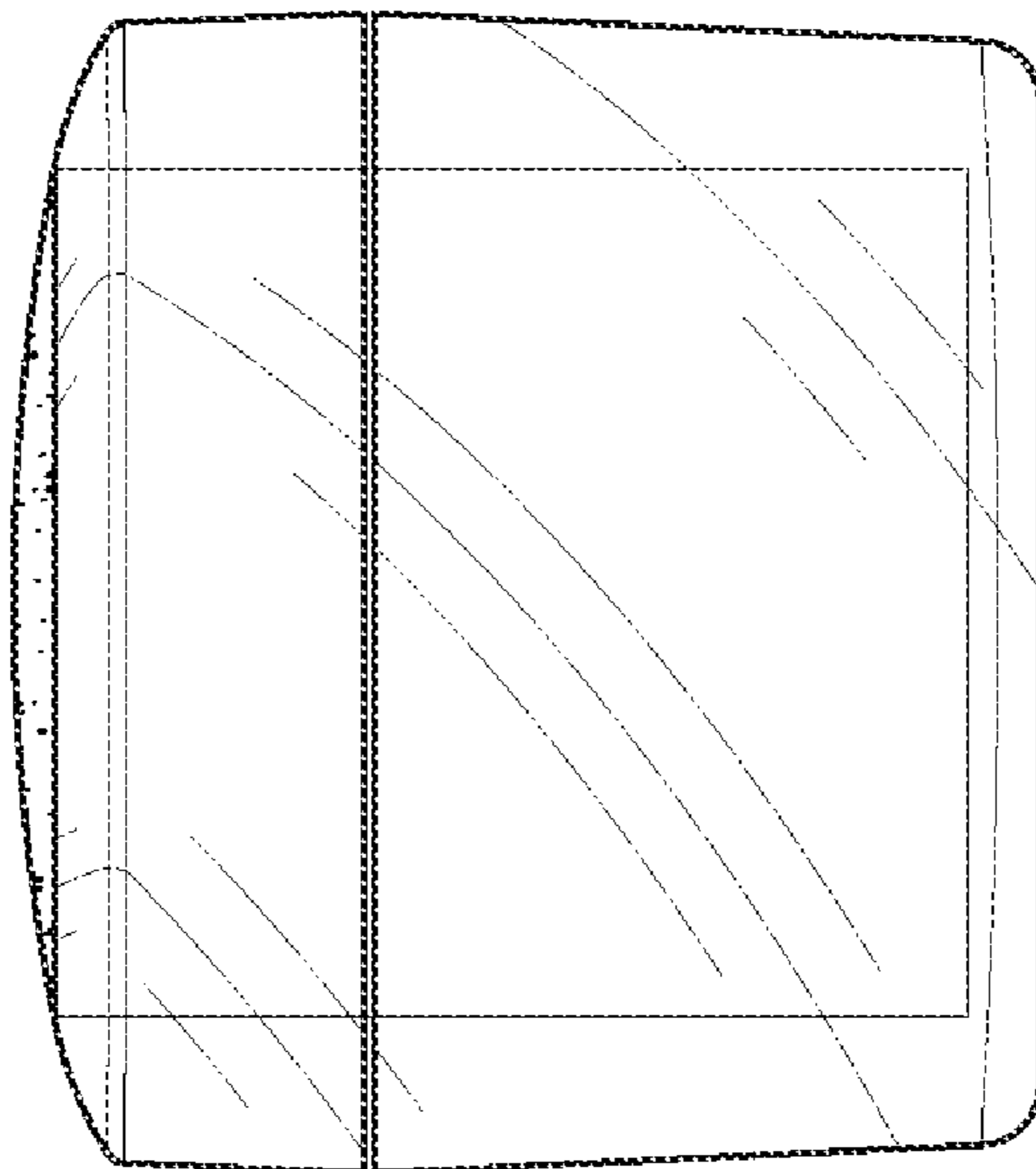


Fig. 12

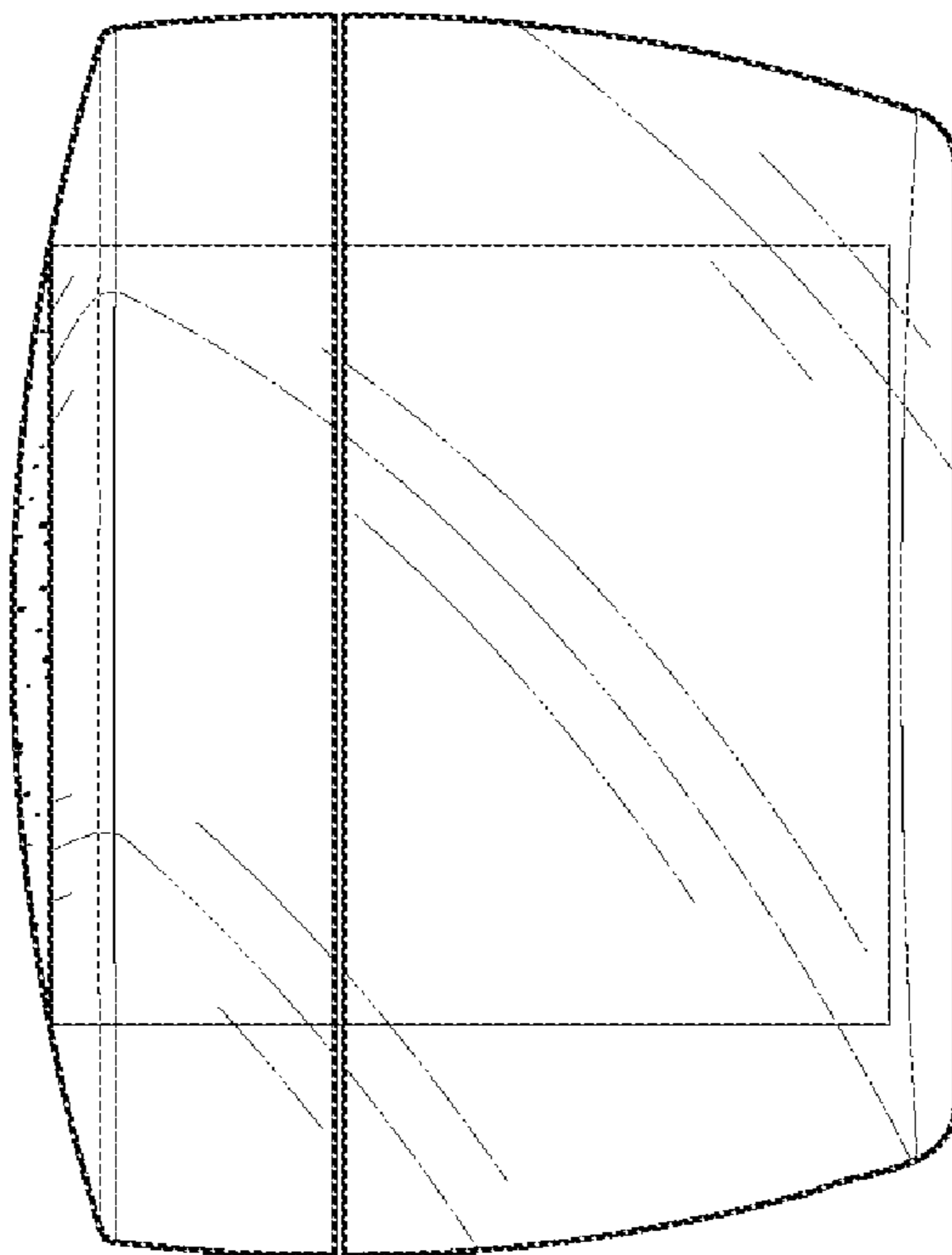


Fig. 13

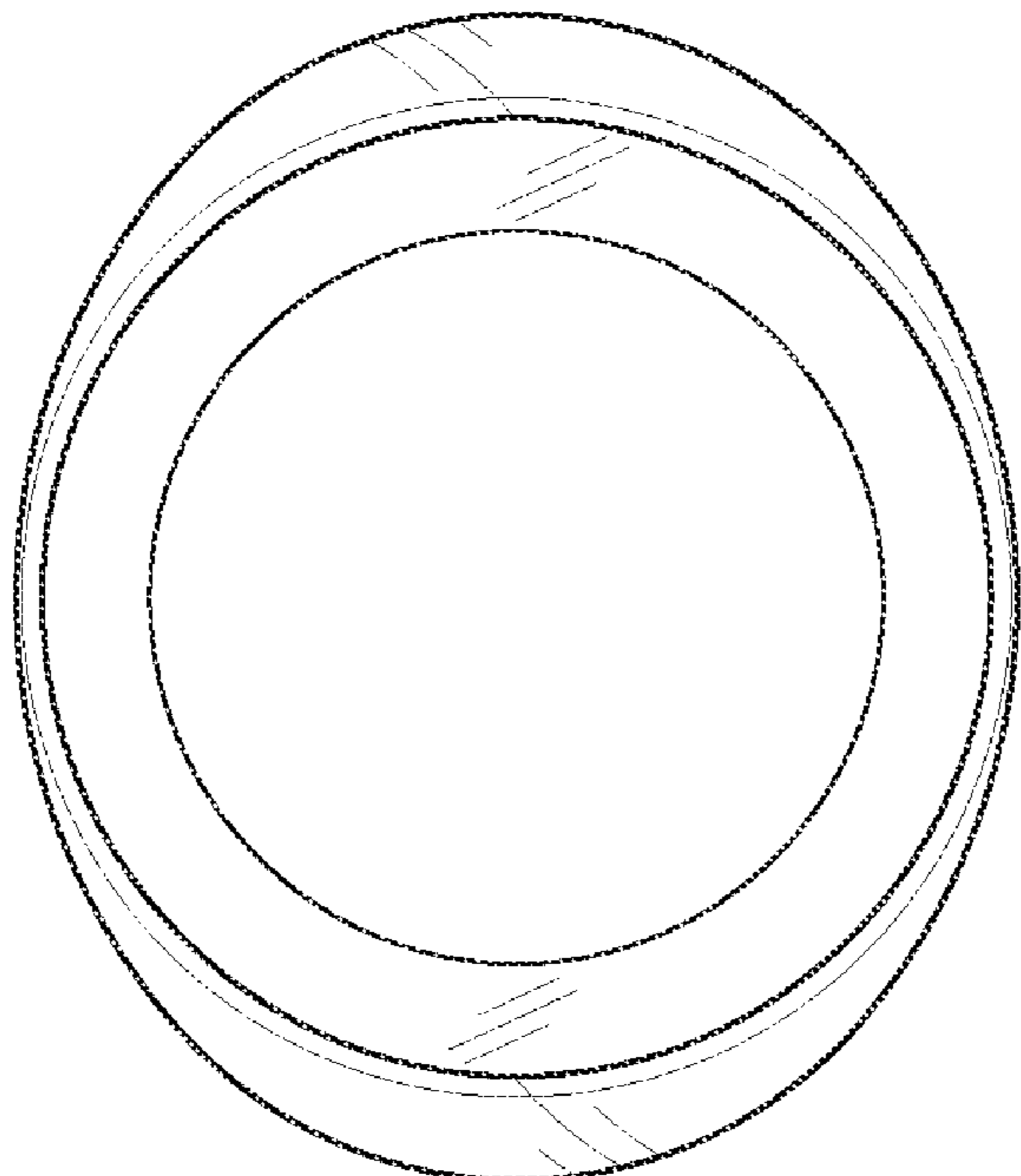


Fig. 15

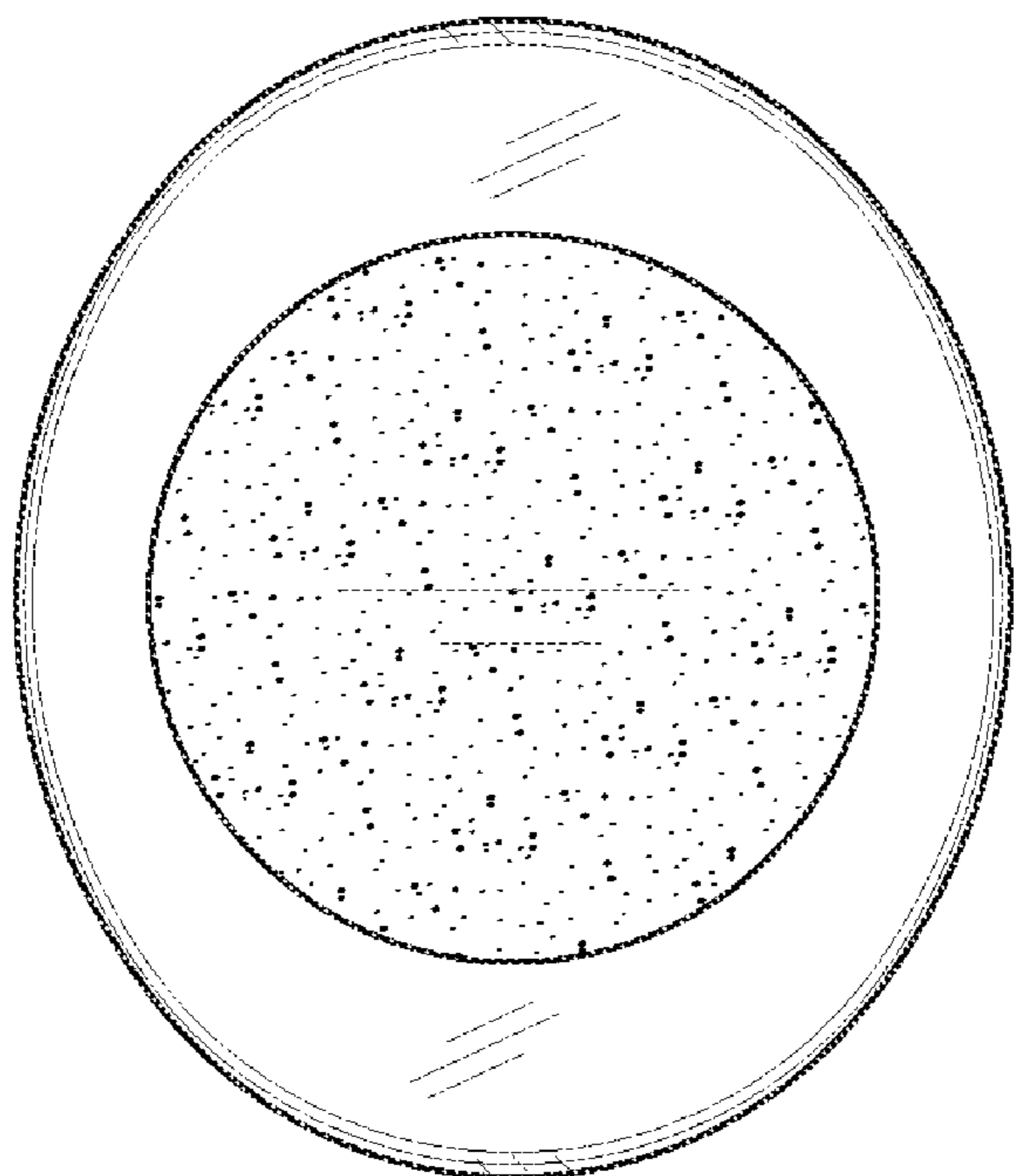


Fig. 14