



US00D615864S

(12) **United States Design Patent**  
**Fuchs**

(10) **Patent No.:** **US D615,864 S**  
(45) **Date of Patent:** **\*\* May 18, 2010**

- (54) **CLOSURE**
- (75) Inventor: **Timothy J. Fuchs**, Perrysburg, OH (US)
- (73) Assignee: **Rexam Closure Systems Inc.**,  
Perrysburg, OH (US)
- (\*\*) Term: **14 Years**
- (21) Appl. No.: **29/351,731**
- (22) Filed: **Dec. 10, 2009**

- D470,413 S 2/2003 Seidita
- D507,745 S 7/2005 Pitman et al.
- D508,650 S 8/2005 Pitman et al.
- D510,269 S 10/2005 Pitman et al.
- D510,523 S 10/2005 Pitman et al.
- D513,586 S 1/2006 Pitman et al.
- D515,922 S 2/2006 Pitman et al.
- D515,923 S 2/2006 Pitman et al.
- D519,373 S 4/2006 Pitman et al.
- D535,189 S 1/2007 Pitman et al.
- D583,237 S 12/2008 Fuchs
- D584,619 S \* 1/2009 Lohrman et al. .... D9/453
- D606,401 S \* 12/2009 Kamath et al. .... D9/453

**Related U.S. Application Data**

- (60) Division of application No. 29/328,232, filed on Nov. 20, 2008, now Pat. No. Des. 608,201, which is a continuation-in-part of application No. 29/307,450, filed on Apr. 21, 2008, now Pat. No. Des. 583,237.

\* cited by examiner

*Primary Examiner*—Susan Bennett Hattan  
(74) *Attorney, Agent, or Firm*—Reising Ethington PC

- (51) **LOC (9) Cl.** ..... **09-07**
- (52) **U.S. Cl.** ..... **D9/453**
- (58) **Field of Classification Search** ..... D9/772,  
D9/724, 556, 529, 454, 453, 452, 449, 443,  
D9/439; D8/312; D7/392.1; D23/261; D14/217;  
D12/197; 229/123.1; 222/541.2; 220/288;  
215/350, 344, 295, 270, 256, 252, 218, 216,  
215/209, 206

(57) **CLAIM**

I claim an ornamental design for a closure, as shown and described.

See application file for complete search history.

**DESCRIPTION**

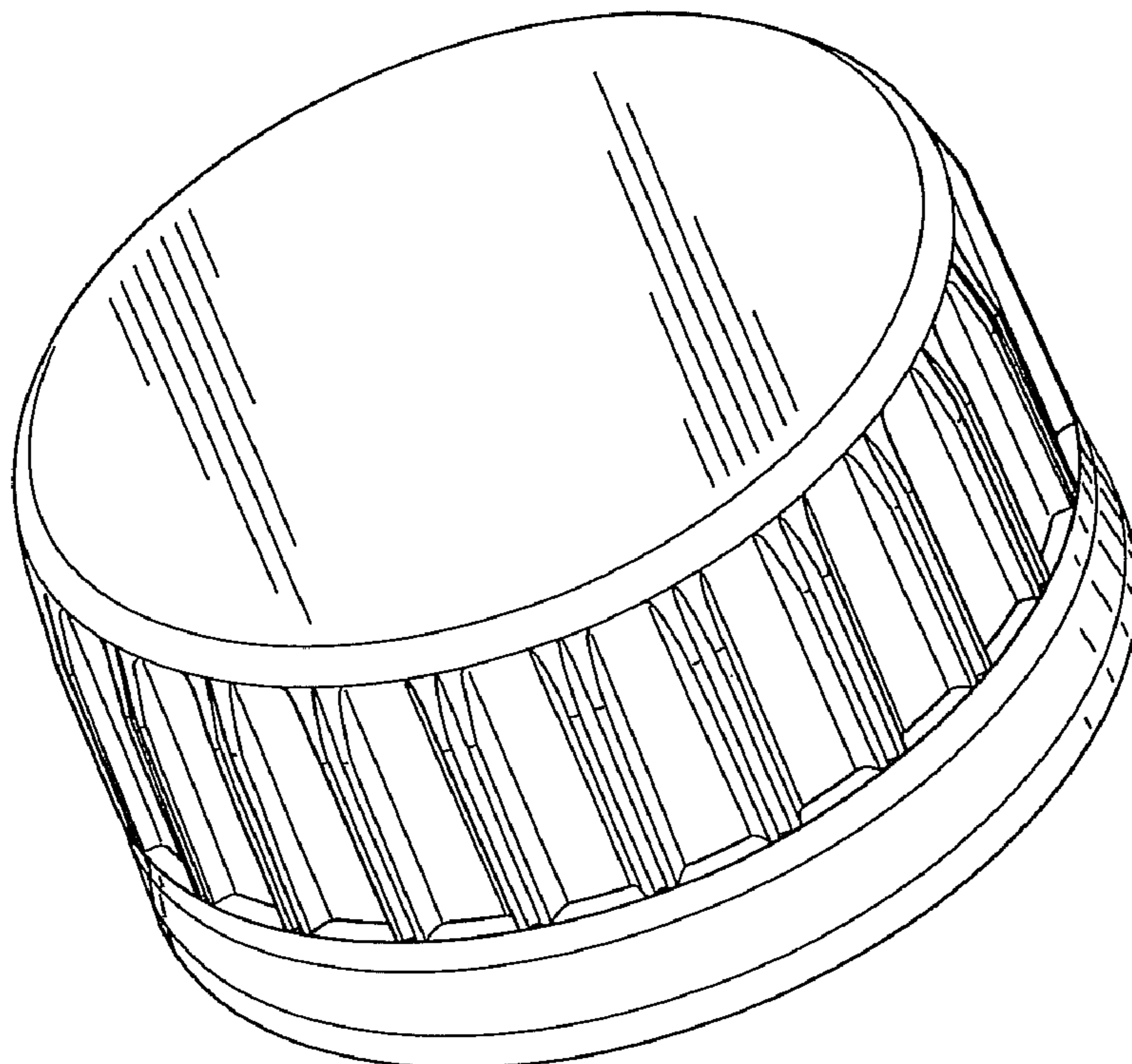
FIG. 1 is a perspective view of a closure in accordance with the present invention.  
FIG. 2 is a top plan view of the closure in FIG. 1, the bottom of the closure forming no part of the claimed design; and,  
FIG. 3 is a side elevational view of the closure taken from the right in FIG. 2, the side elevational views from the top, left and bottom of FIG. 2 being identical to FIG. 3.

(56) **References Cited**

**U.S. PATENT DOCUMENTS**

- D458,138 S \* 6/2002 Fuchs ..... D9/453

**1 Claim, 1 Drawing Sheet**



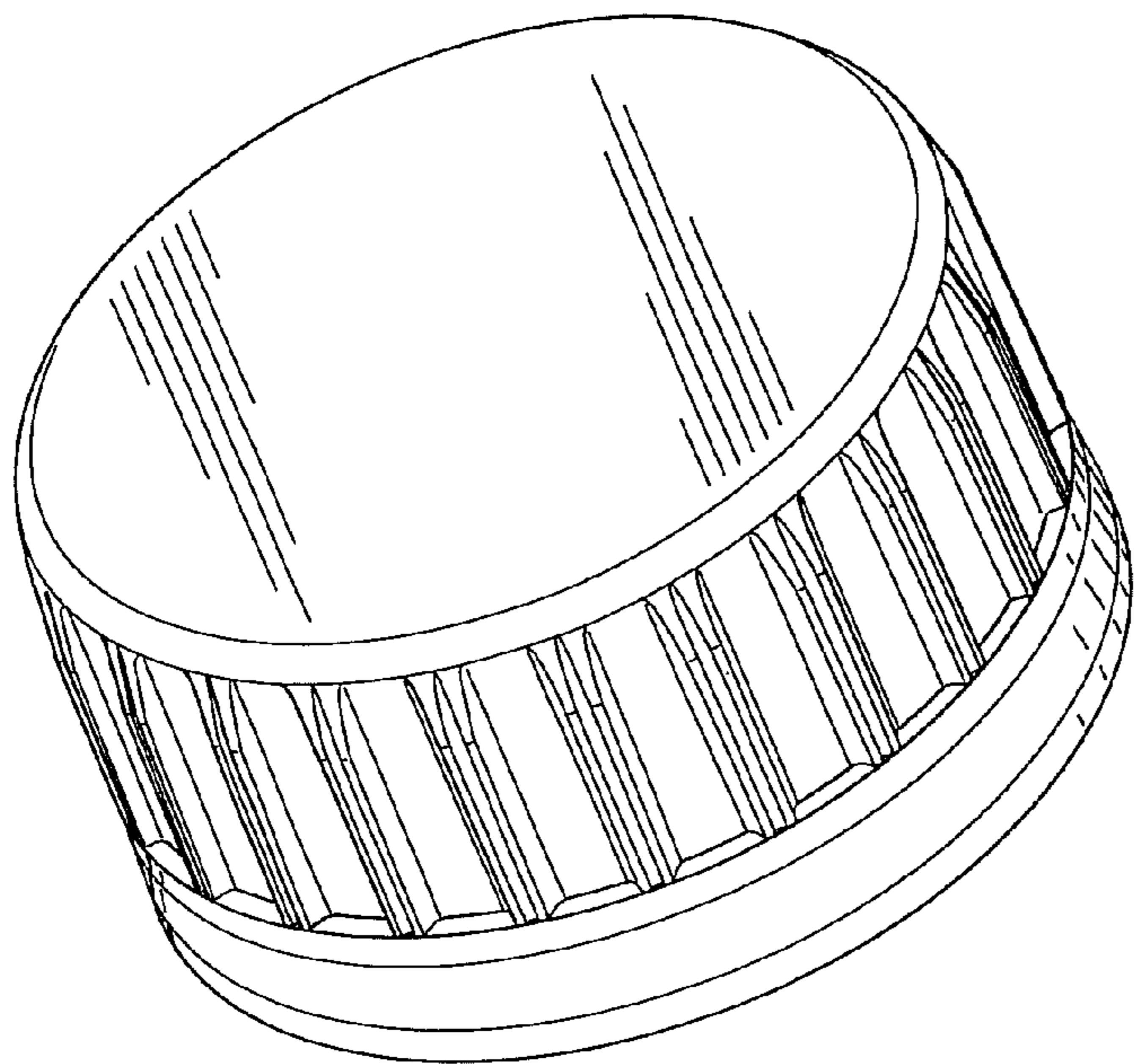


FIG. 1

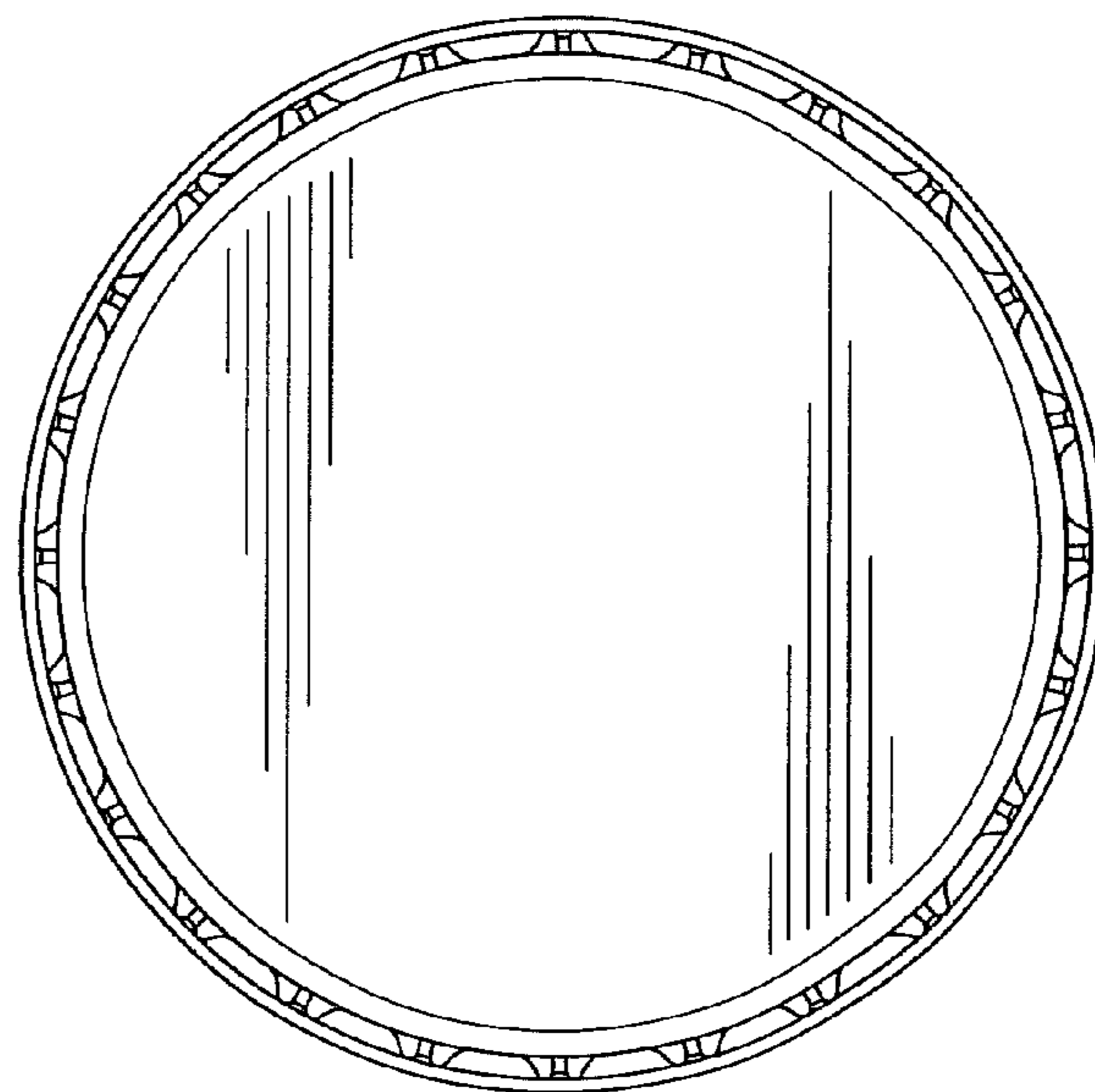


FIG. 2

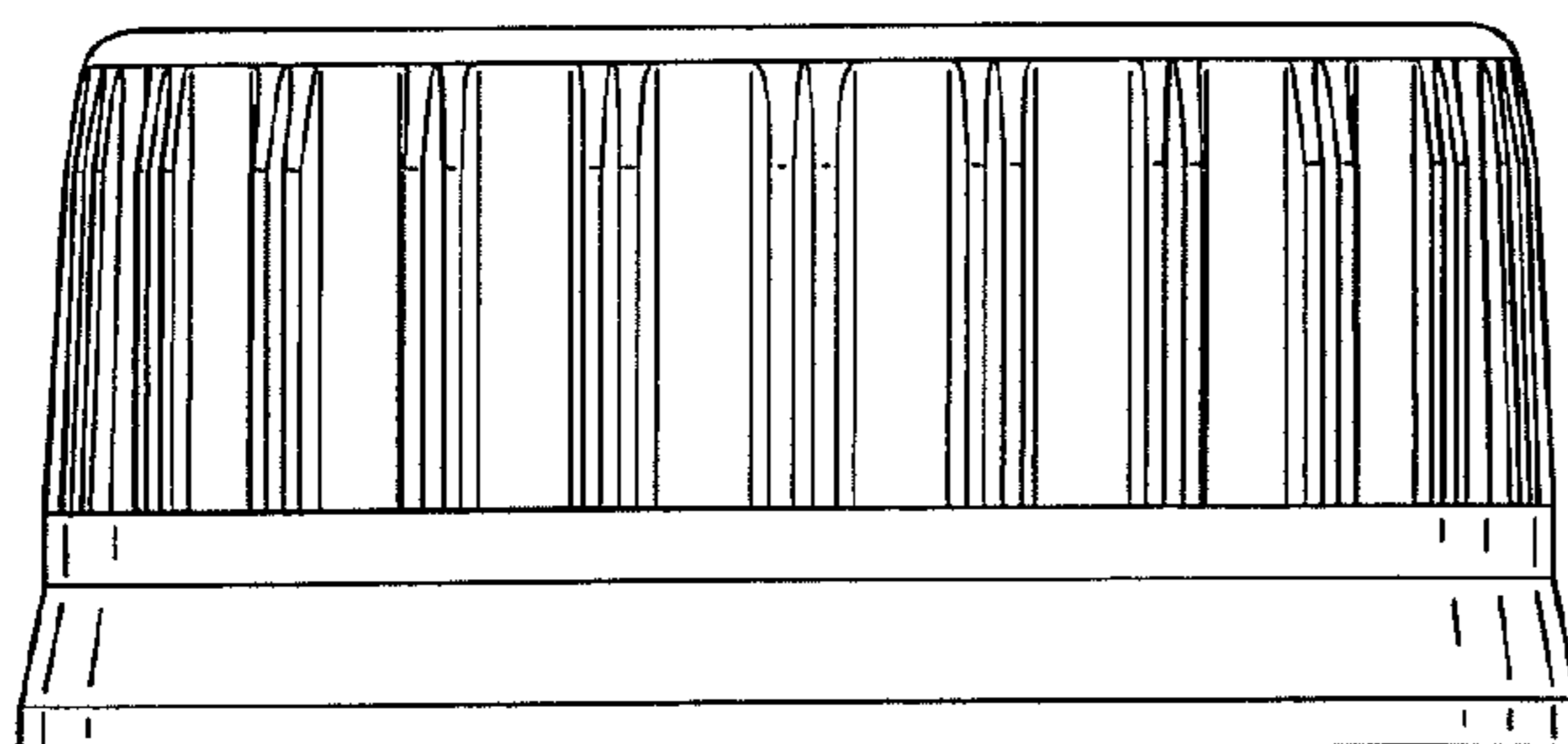


FIG. 3