



US00D615860S

(12) **United States Design Patent**
Cero, Jr.

(10) **Patent No.:** **US D615,860 S**

(45) **Date of Patent:** **** May 18, 2010**

(54) **BOTTLE LID**

(75) Inventor: **Joseph T Cero, Jr.**, Telford, PA (US)

(73) Assignee: **CMW**, Telford, PA (US)

(**) Term: **14 Years**

(21) Appl. No.: **29/336,538**

(22) Filed: **May 5, 2009**

(51) **LOC (9) Cl.** **09-07**

(52) **U.S. Cl.** **D9/443; D9/454**

(58) **Field of Classification Search** D9/907,
D9/697, 696, 695, 530, 454, 453, 445, 444,
D9/443, 442, 439, 438, 436, 435, 434, 415;
D7/536, 535, 533, 511, 396.2, 391; D3/326,
D3/318, 302, 294; 222/568, 567, 566, 376,
222/288, 214, 212.5; 215/356, 329, 305,
215/228, 11.1

See application file for complete search history.

(56) **References Cited**

U.S. PATENT DOCUMENTS

- D141,518 S * 6/1945 Porthouse D9/439
- D163,976 S * 7/1951 Stevens D3/302
- D220,032 S * 3/1971 Dee D9/436
- D228,345 S * 9/1973 Kleinman D9/439
- D281,307 S 11/1985 Cassai et al.
- D294,467 S * 3/1988 Wirkus et al. D9/436

- D351,793 S 10/1994 Stoller
- D374,623 S * 10/1996 Rafferty D9/443
- D389,740 S 1/1998 Toleman
- D454,066 S 3/2002 Trabal
- D458,134 S 6/2002 Berish et al.
- D505,071 S 5/2005 Mansau
- D533,396 S * 12/2006 Lipson D7/392.1
- D562,132 S * 2/2008 LaMasney D9/443
- D578,391 S * 10/2008 Larkin et al. D9/447

* cited by examiner

Primary Examiner—Susan Bennett Hattan

(74) *Attorney, Agent, or Firm*—Gregory J. Gore & Associates

(57) **CLAIM**

The ornamental design for a bottle lid, as shown and described.

DESCRIPTION

FIG. 1 is a top right front perspective view of the bottle lid of my invention.

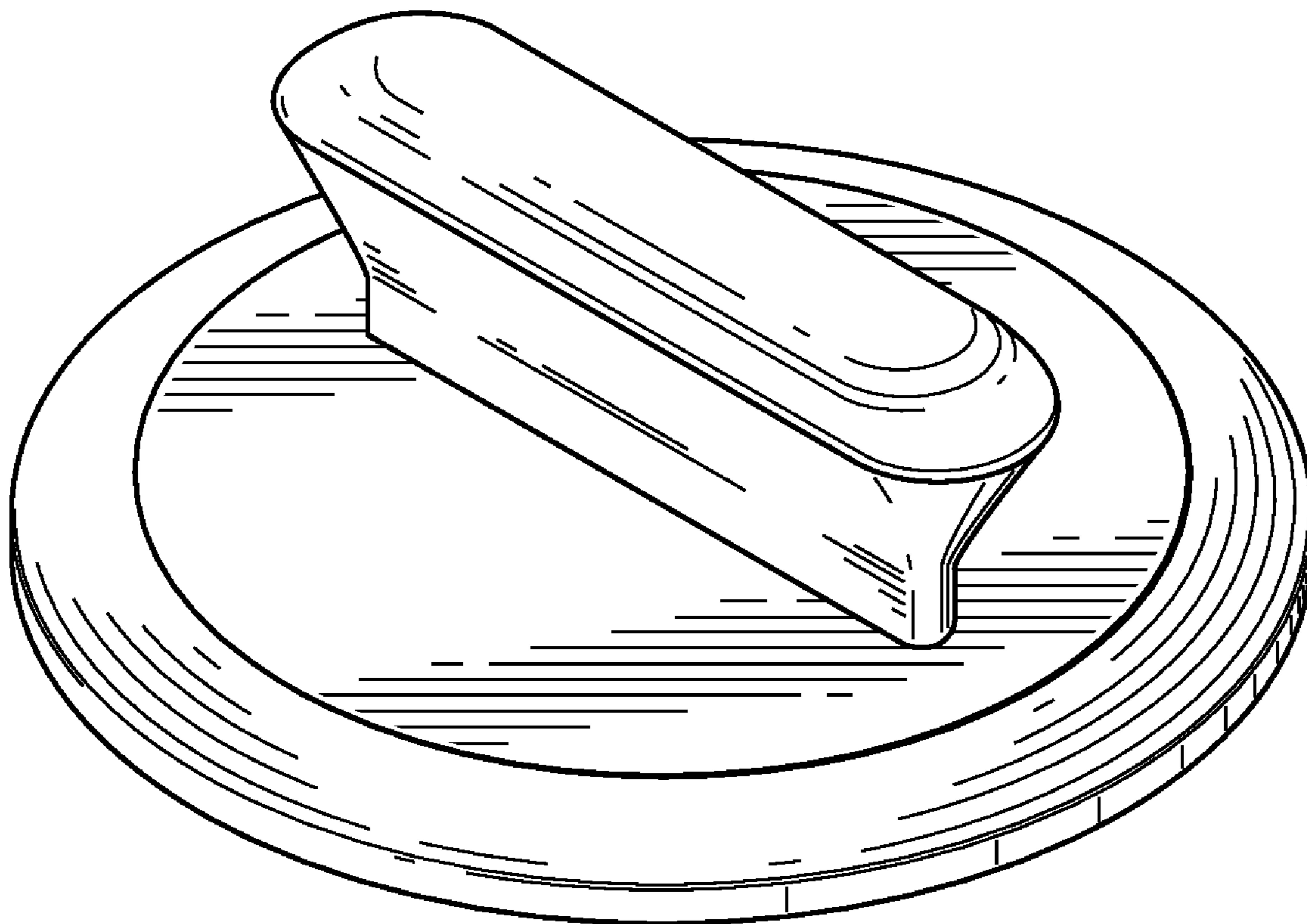
FIG. 2 is a front elevational view thereof being a mirror image of the rear elevational view.

FIG. 3 is a right side elevational view thereof being a mirror image of the left side elevational view thereof.

FIG. 4 is a top plan view thereof; and,

FIG. 5 is a bottom plan view thereof.

1 Claim, 2 Drawing Sheets



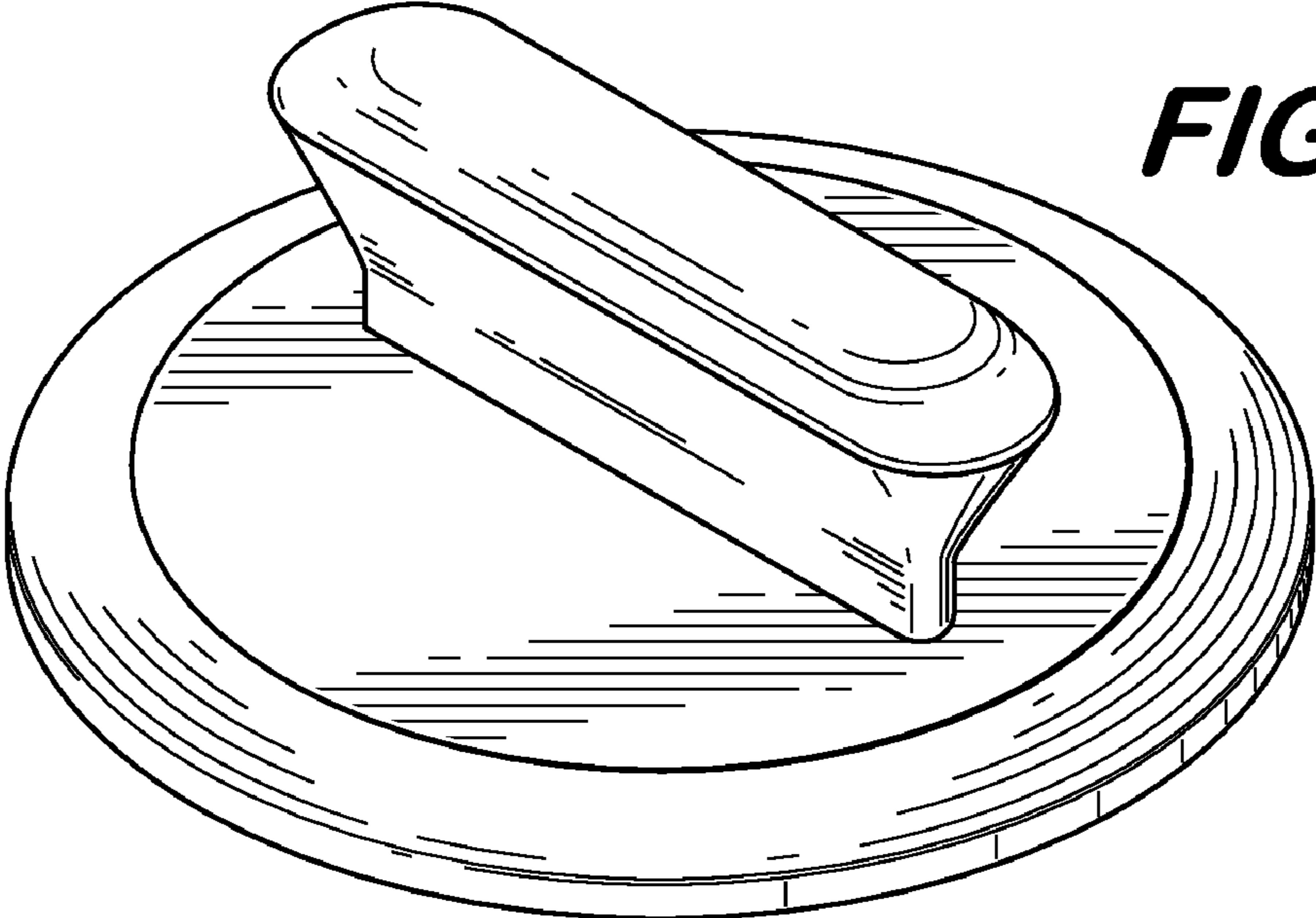


FIG. 1

FIG. 2

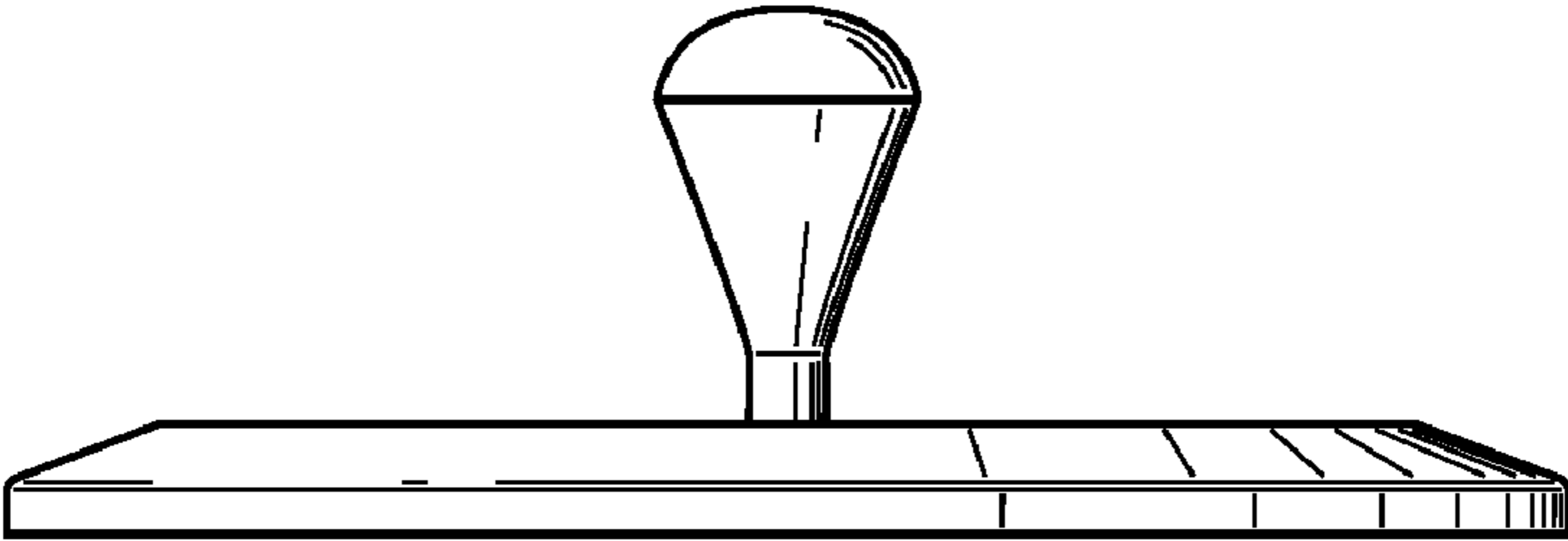
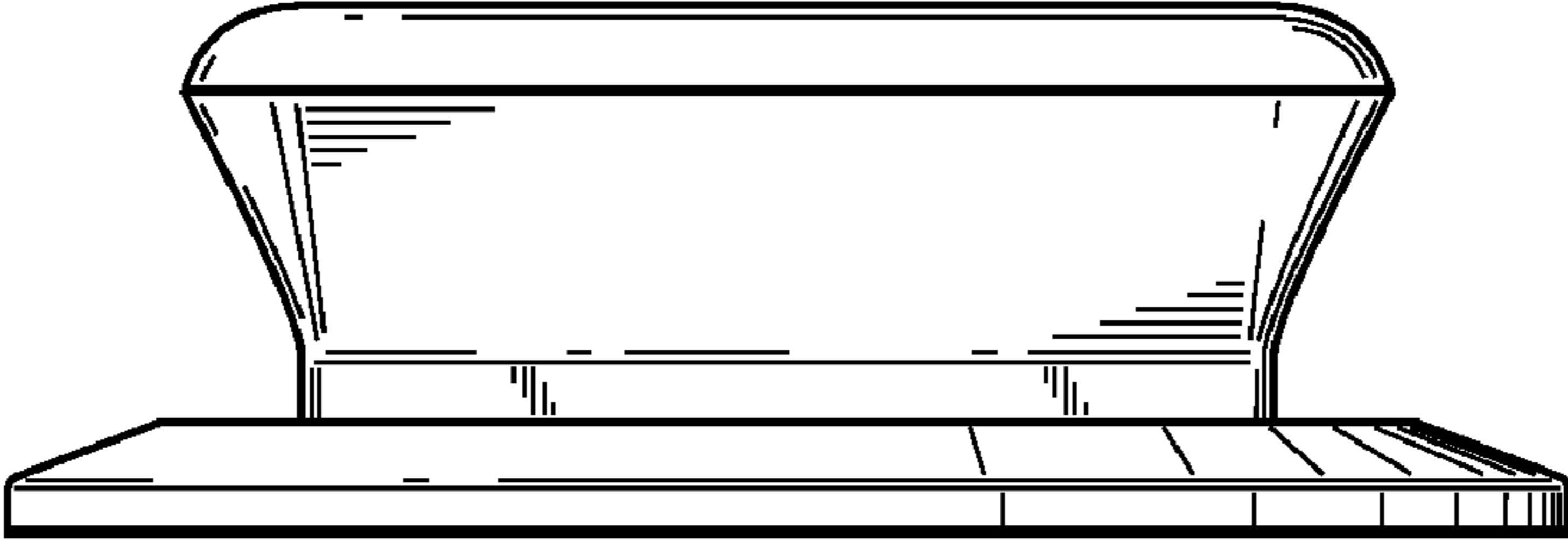


FIG. 3

FIG. 4

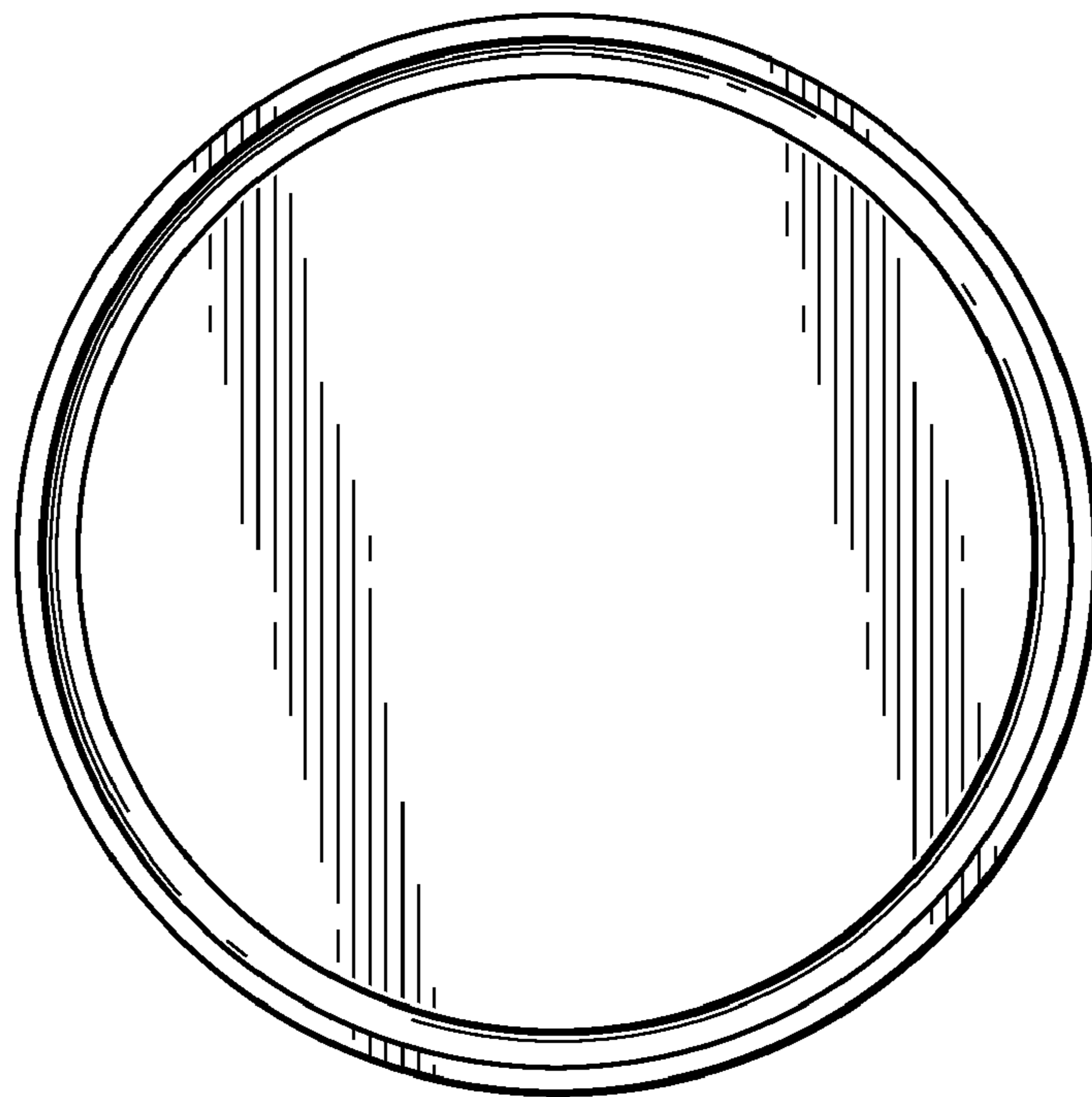
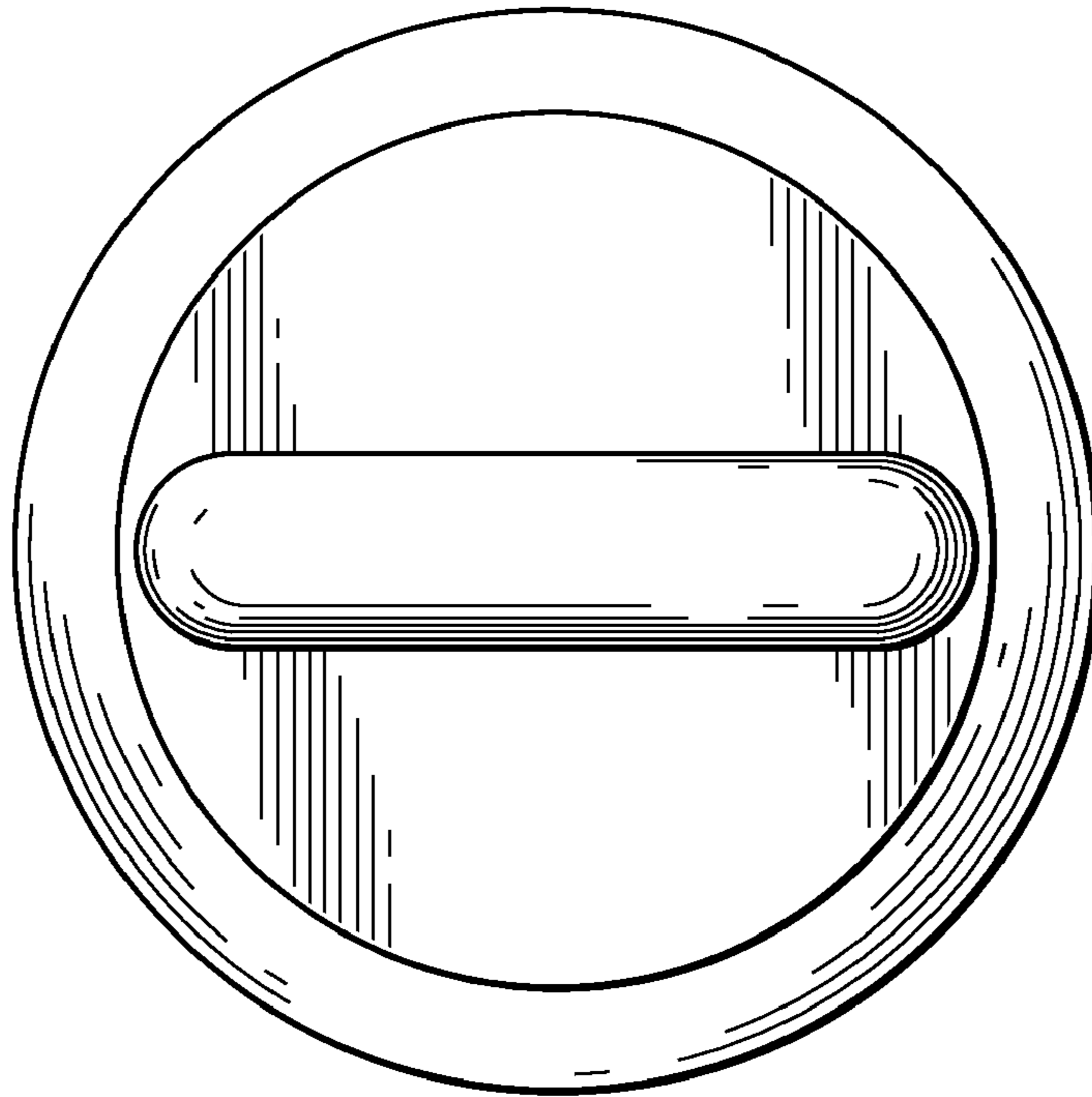


FIG. 5