



US00D615859S

(12) **United States Design Patent**  
**Barbier**

(10) **Patent No.:** **US D615,859 S**  
(45) **Date of Patent:** **\*\* May 18, 2010**

(54) **COMBINED CONTAINER AND LID**

(75) Inventor: **Marco Barbier**, Dover, MA (US)

(73) Assignee: **Easypak LLC**, Leominster, MA (US)

(\*\*) Term: **14 Years**

(21) Appl. No.: **29/338,462**

(22) Filed: **Jun. 11, 2009**

(51) **LOC (9) Cl.** ..... **09-03**

(52) **U.S. Cl.** ..... **D9/425**

(58) **Field of Classification Search** ..... D9/423-429;  
D7/538, 540, 542, 550.1, 565, 584, 602, 629;  
220/4.23-4.24, 23.86, 315, 367.1, 571, 600,  
220/608, 752, 780-781, 788, 791-793, 835,  
220/839; 206/501-509, 512; 426/106

See application file for complete search history.

(56) **References Cited**

**U.S. PATENT DOCUMENTS**

D208,830	S *	10/1967	Stockdale	.....	D9/425
4,576,330	A *	3/1986	Schepp	.....	220/315
D332,917	S *	2/1993	McDevitt et al.	.....	D9/423
D339,744	S *	9/1993	Seppala	.....	D9/425
D378,192	S *	2/1997	Krupa et al.	.....	D9/425
D439,159	S *	3/2001	Chen	.....	D9/425
D490,309	S *	5/2004	Hayes et al.	.....	D9/425
D536,992	S *	2/2007	Garg et al.	.....	D9/737
D592,018	S *	5/2009	Back	.....	D7/629
2006/0016822	A1 *	1/2006	Chen	.....	220/788

\* cited by examiner

*Primary Examiner*—Philip S Hyder  
*Assistant Examiner*—Susan E Krakower

(74) *Attorney, Agent, or Firm*—Barlow, Josephs & Holmes, Ltd.

(57) **CLAIM**

The ornamental design for a combined container and lid, as shown and described.

**DESCRIPTION**

FIG. 1 is a top perspective view of the combined container and lid showing my new design;

FIG. 2 is a bottom perspective view of the combined container and lid;

FIG. 3 is a front view of the combined container and lid; the rear view being a mirror image thereof;

FIG. 4 is a left side view of the combined container and lid; the right side view being a mirror image thereof;

FIG. 5 is a top view of the combined container and lid;

FIG. 6 is a bottom view of the combined container and lid;

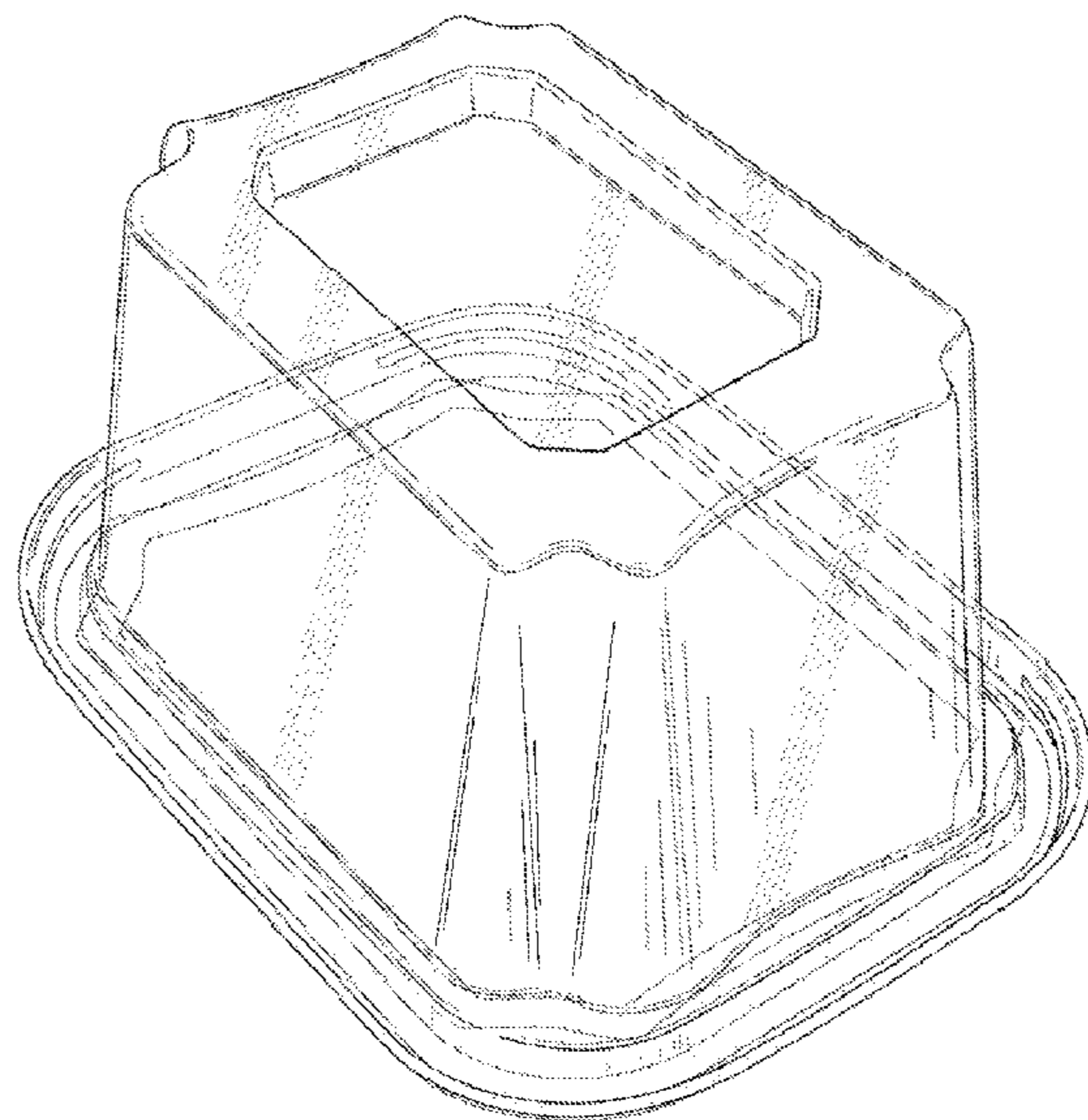
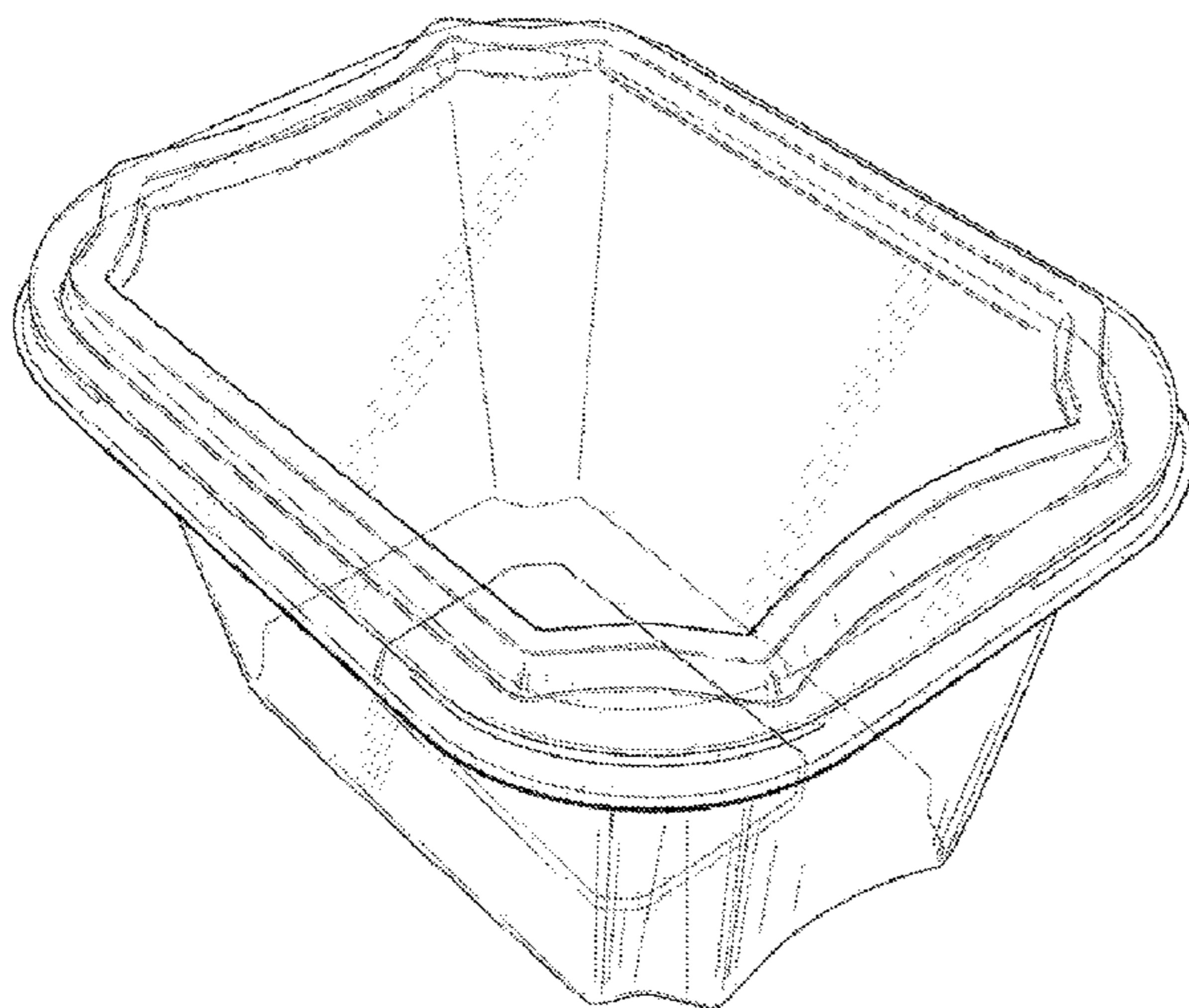
FIG. 7 is a bottom perspective view the lid of the combined container and lid shown separated from the base for clarity of disclosure;

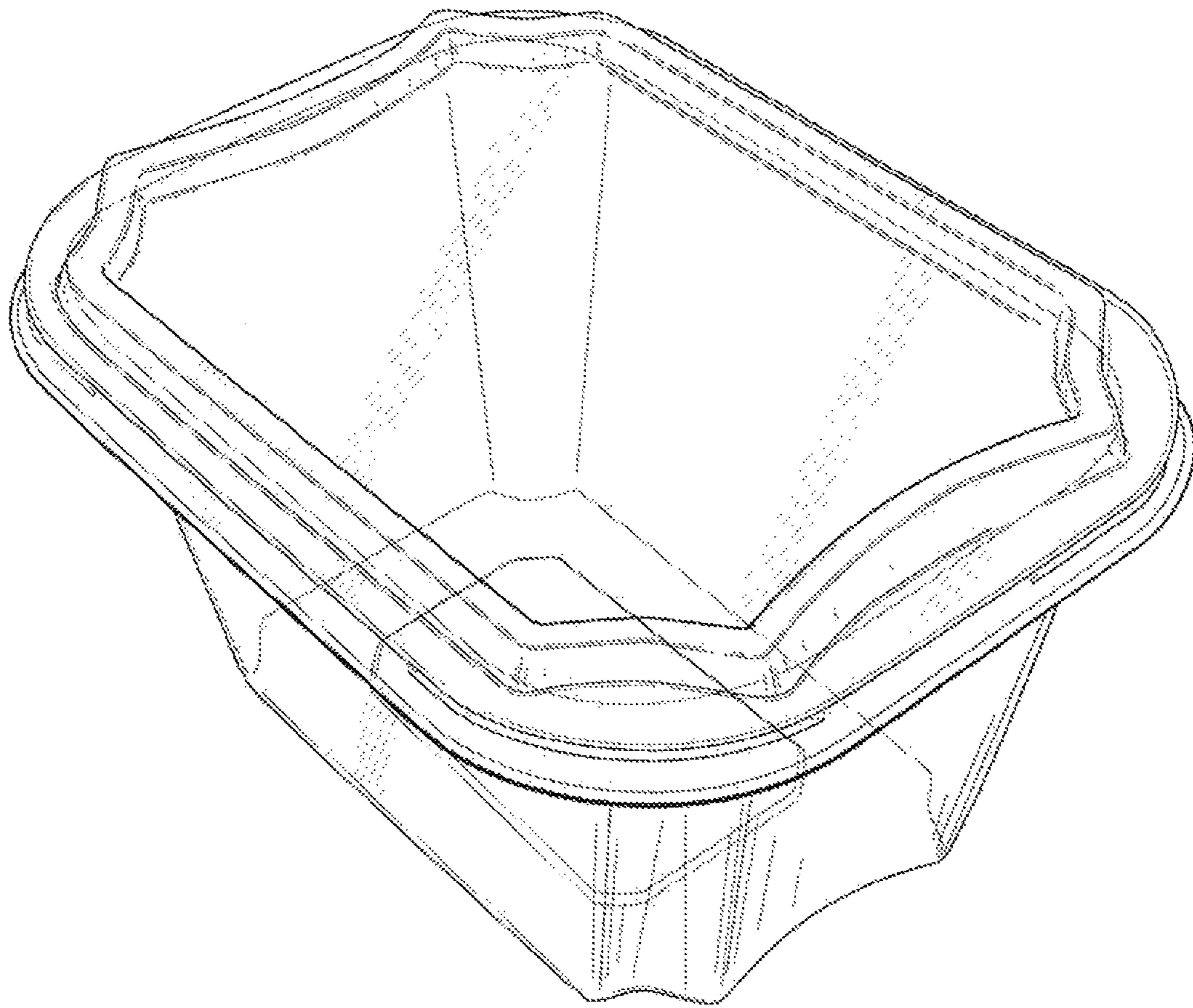
FIG. 8 is a front view of the lid of the combined container and lid shown separated from the base for clarity of disclosure, the rear view being a mirror image thereof;

FIG. 9 is a left side view of the lid of the combined container and lid shown separated from the base for clarity of disclosure, the right side view being a mirror image thereof; and,

FIG. 10 is a top perspective view of the base of the combined container and lid shown separated from the lid for clarity of disclosure of the interior portion.

**1 Claim, 9 Drawing Sheets**





**FIG. 1**

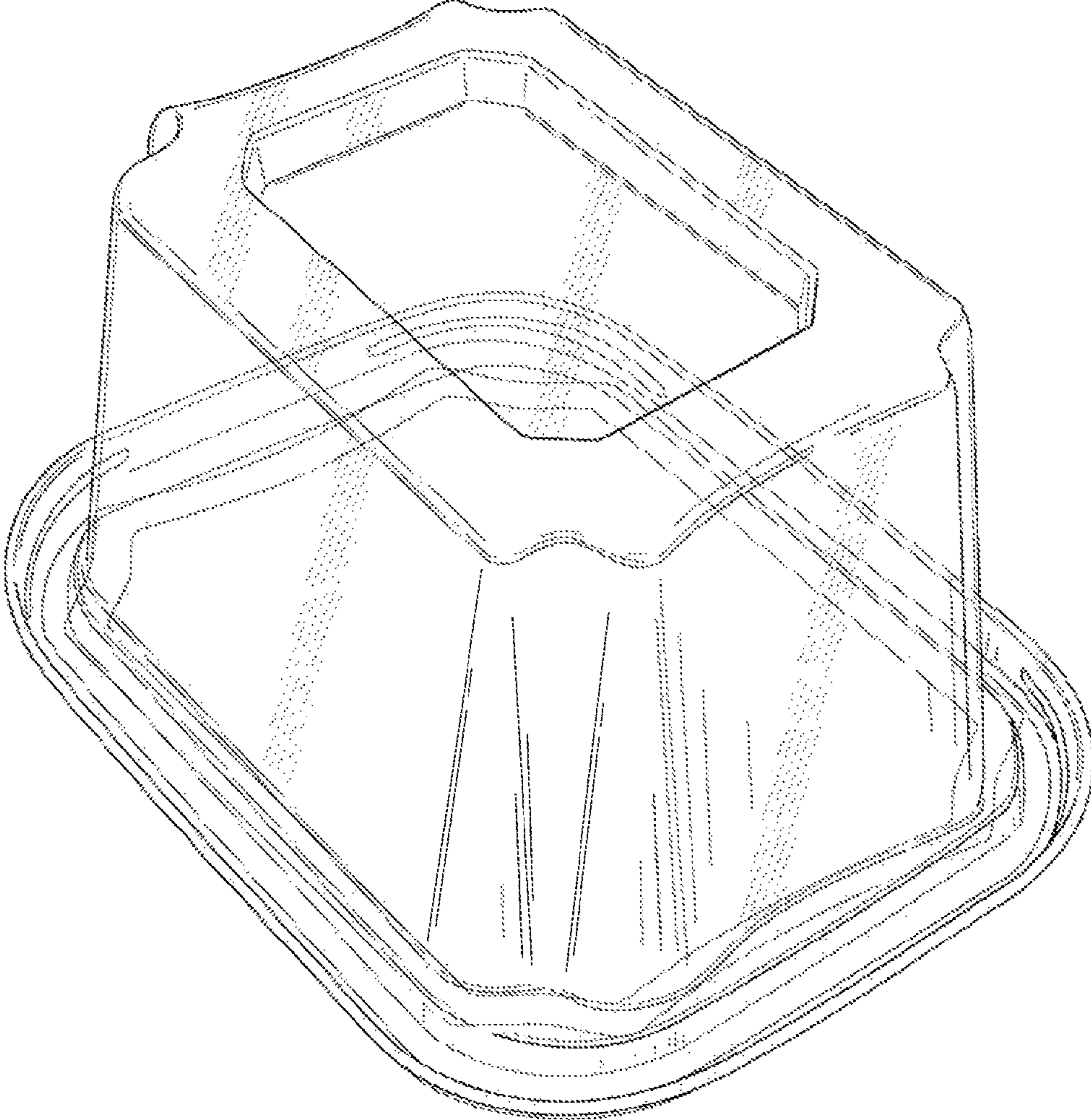


FIG. 2

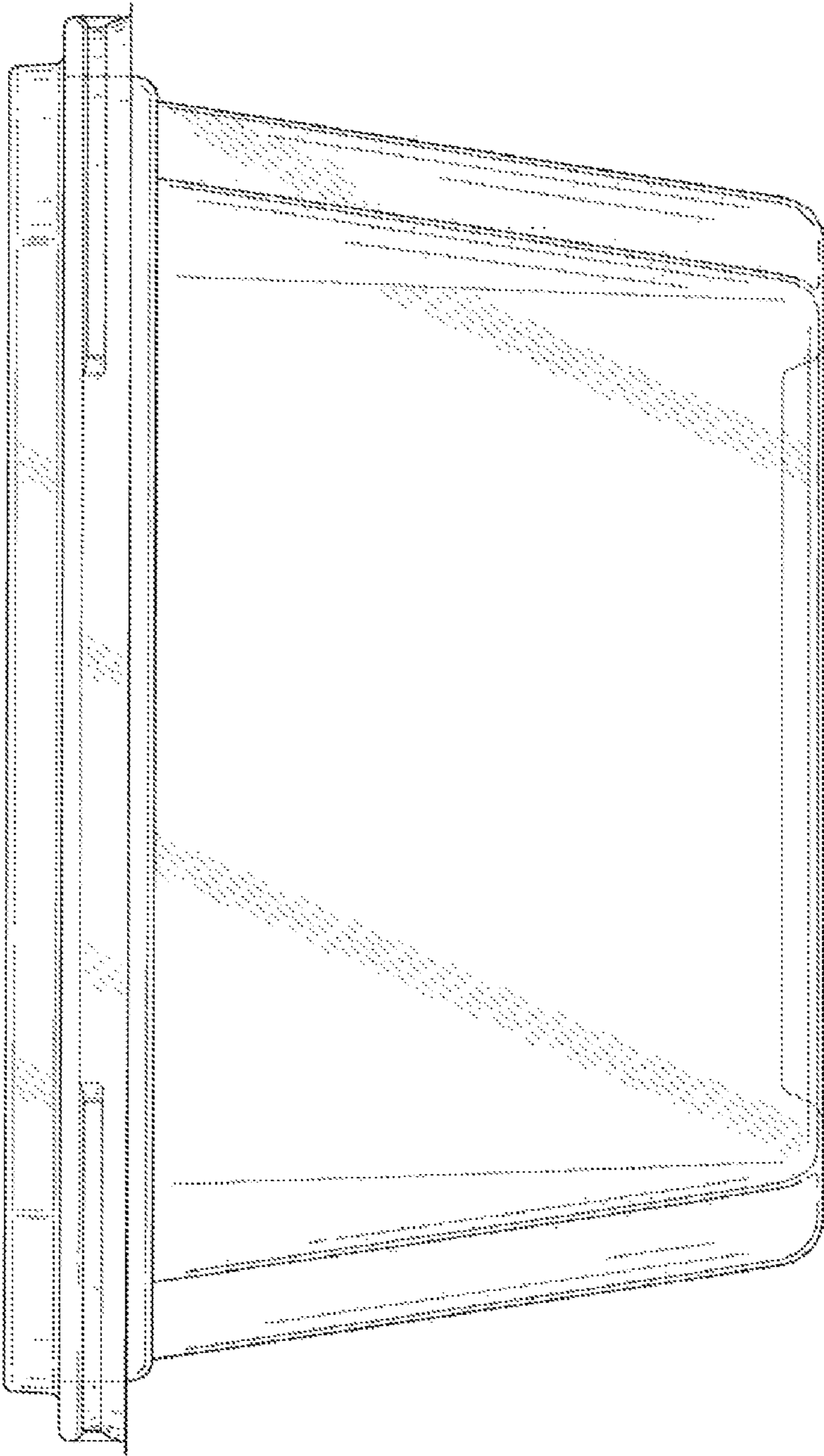
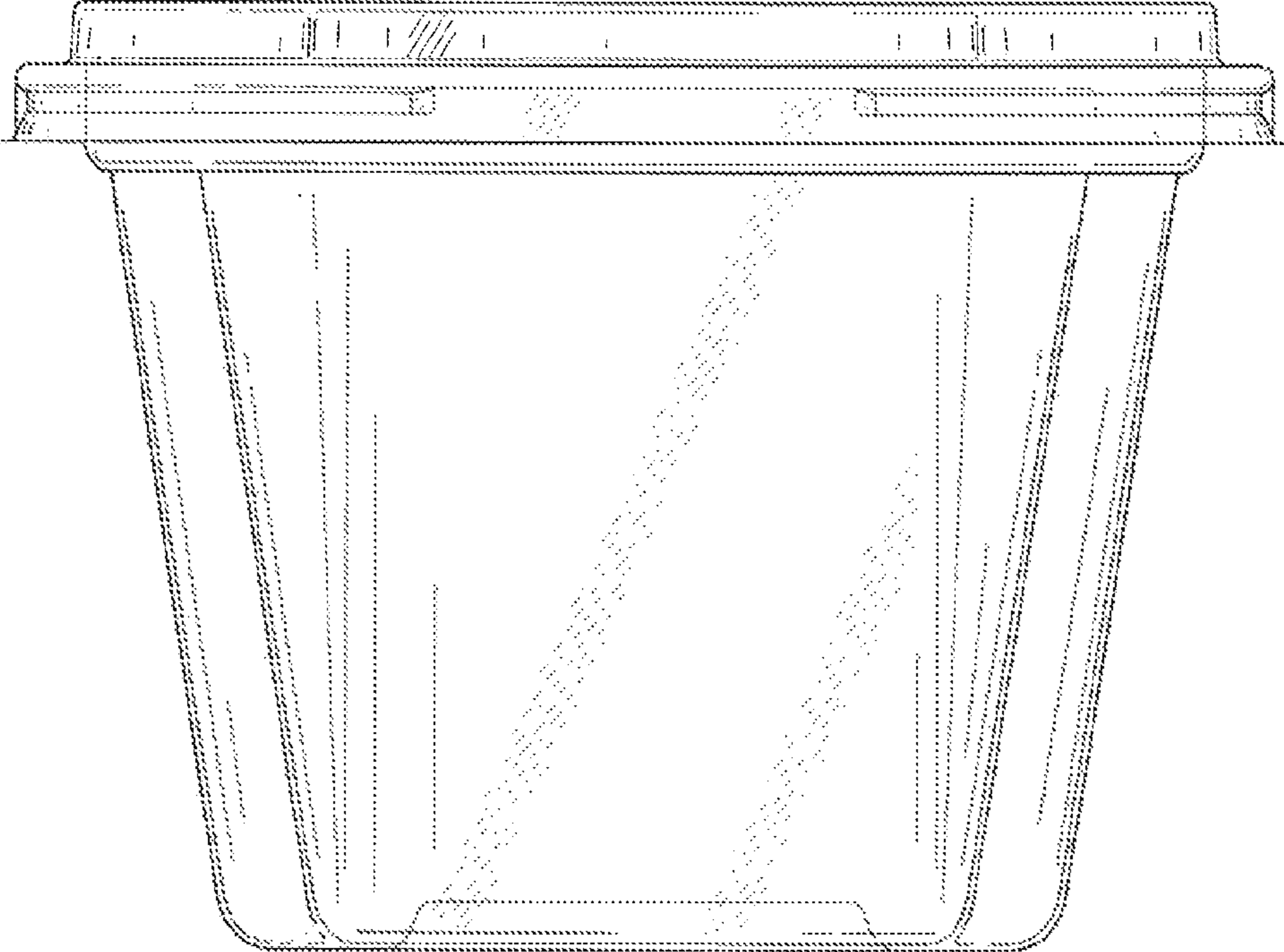


FIG. 3



**FIG. 4**

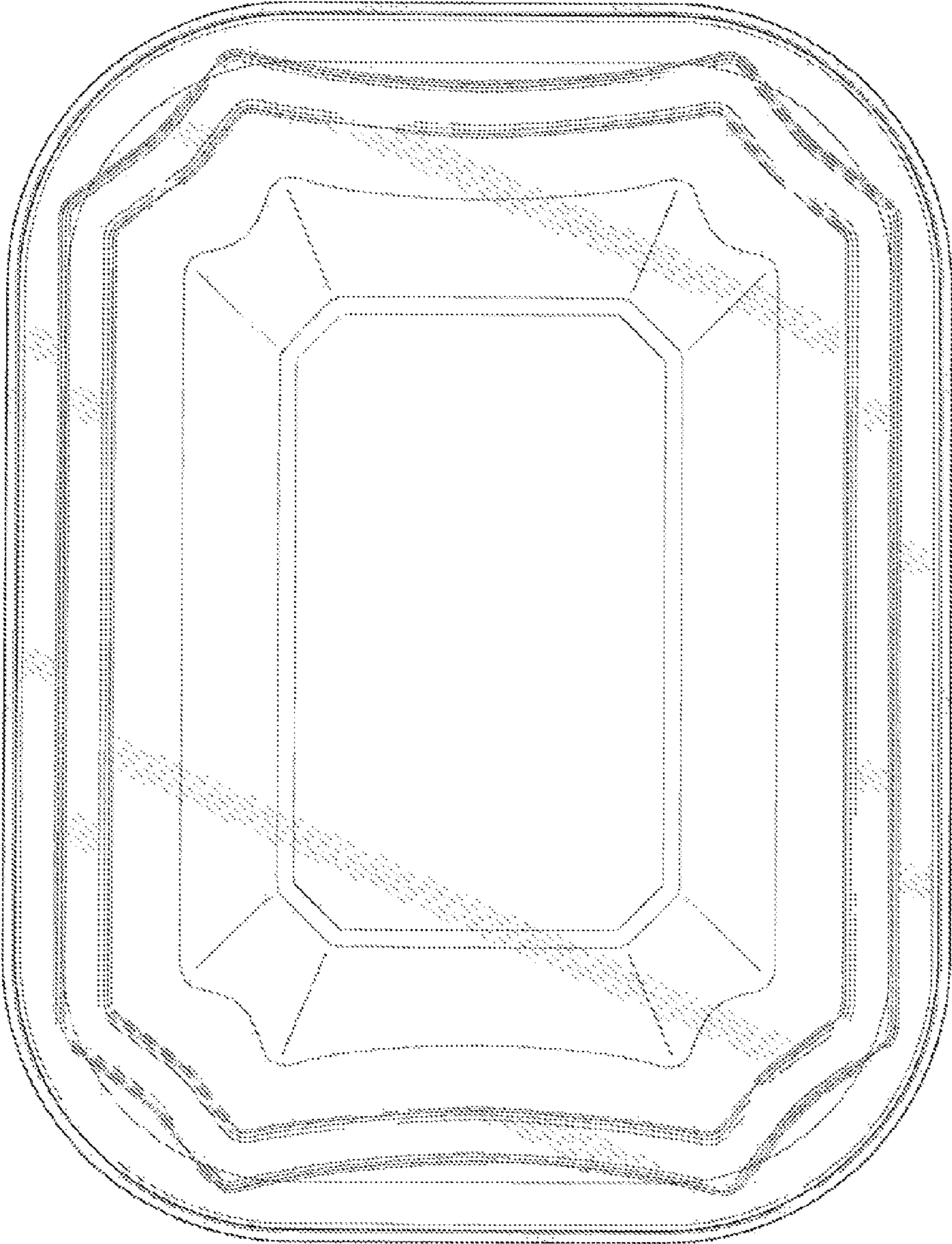


FIG. 5

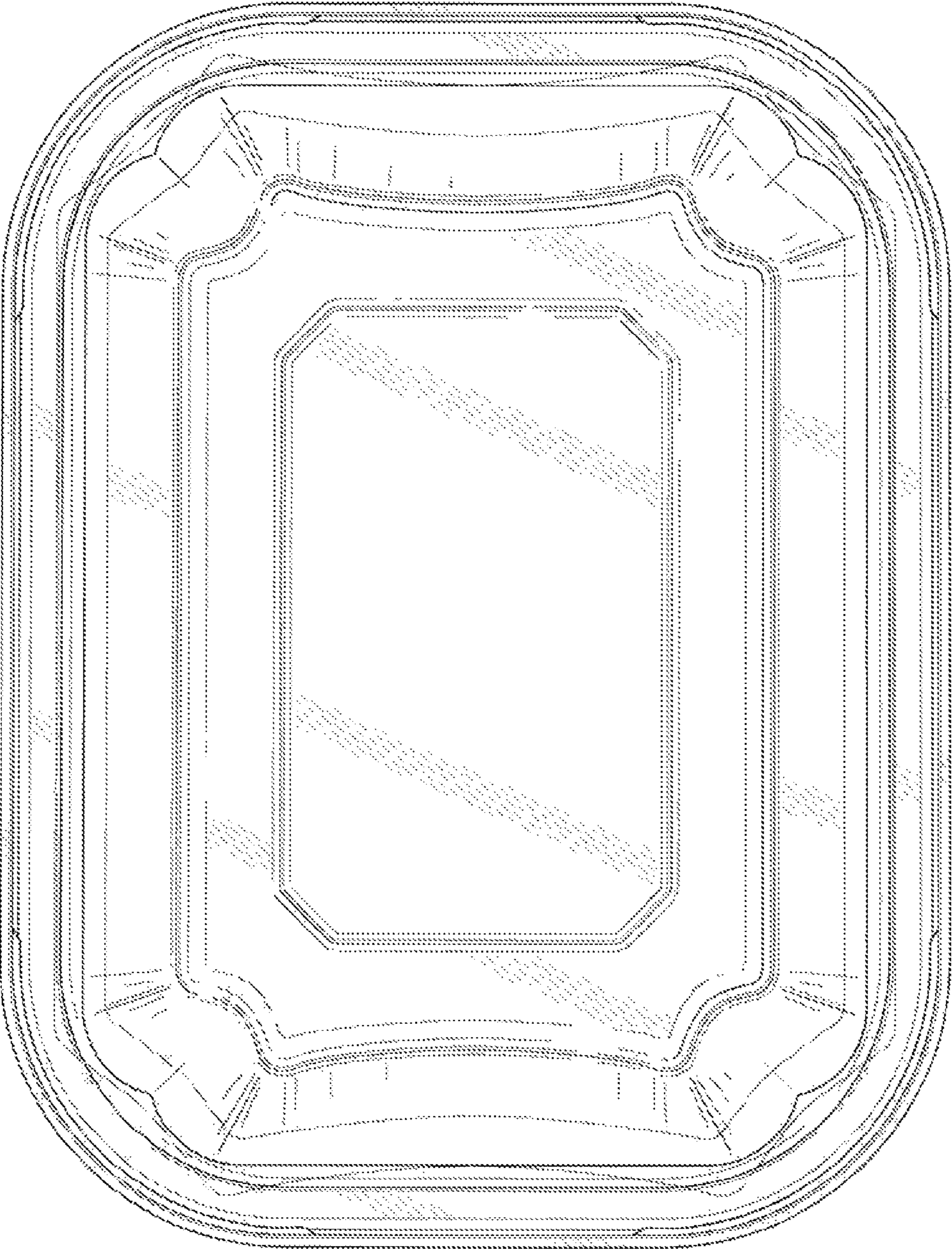


FIG. 6

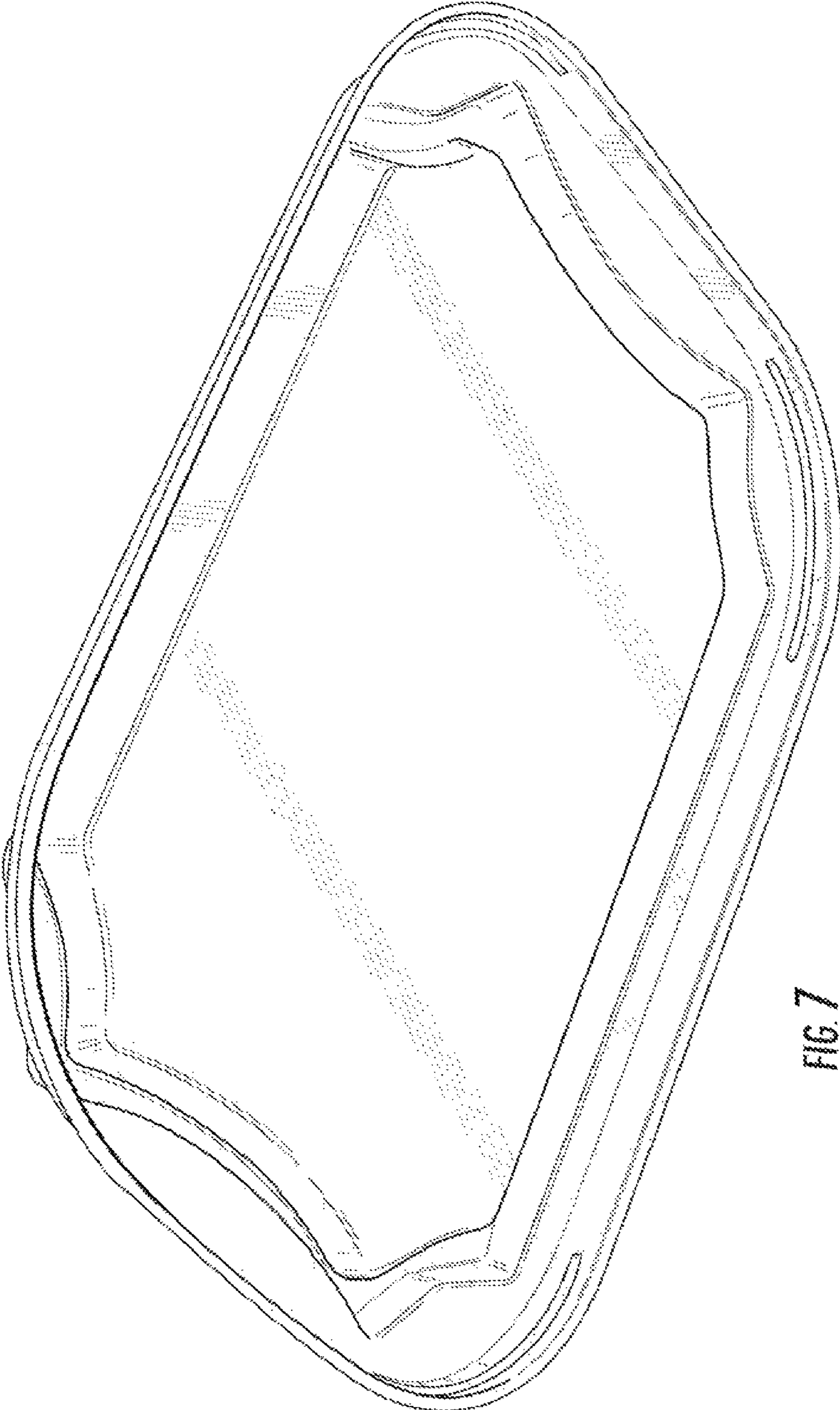


FIG. 7



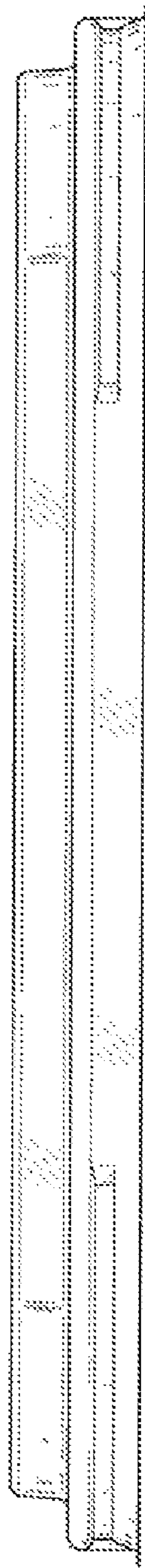


FIG. 8

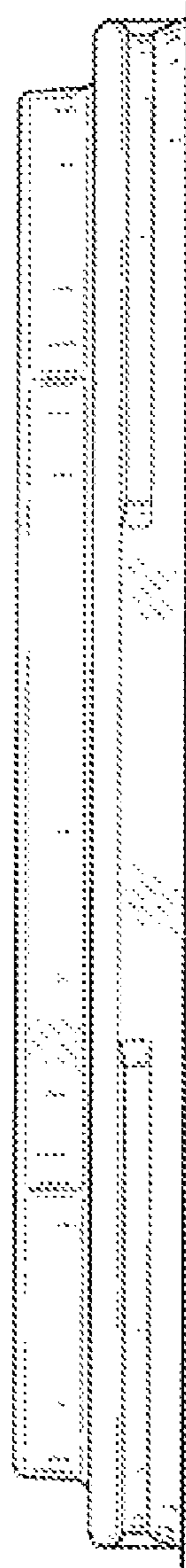


FIG. 9

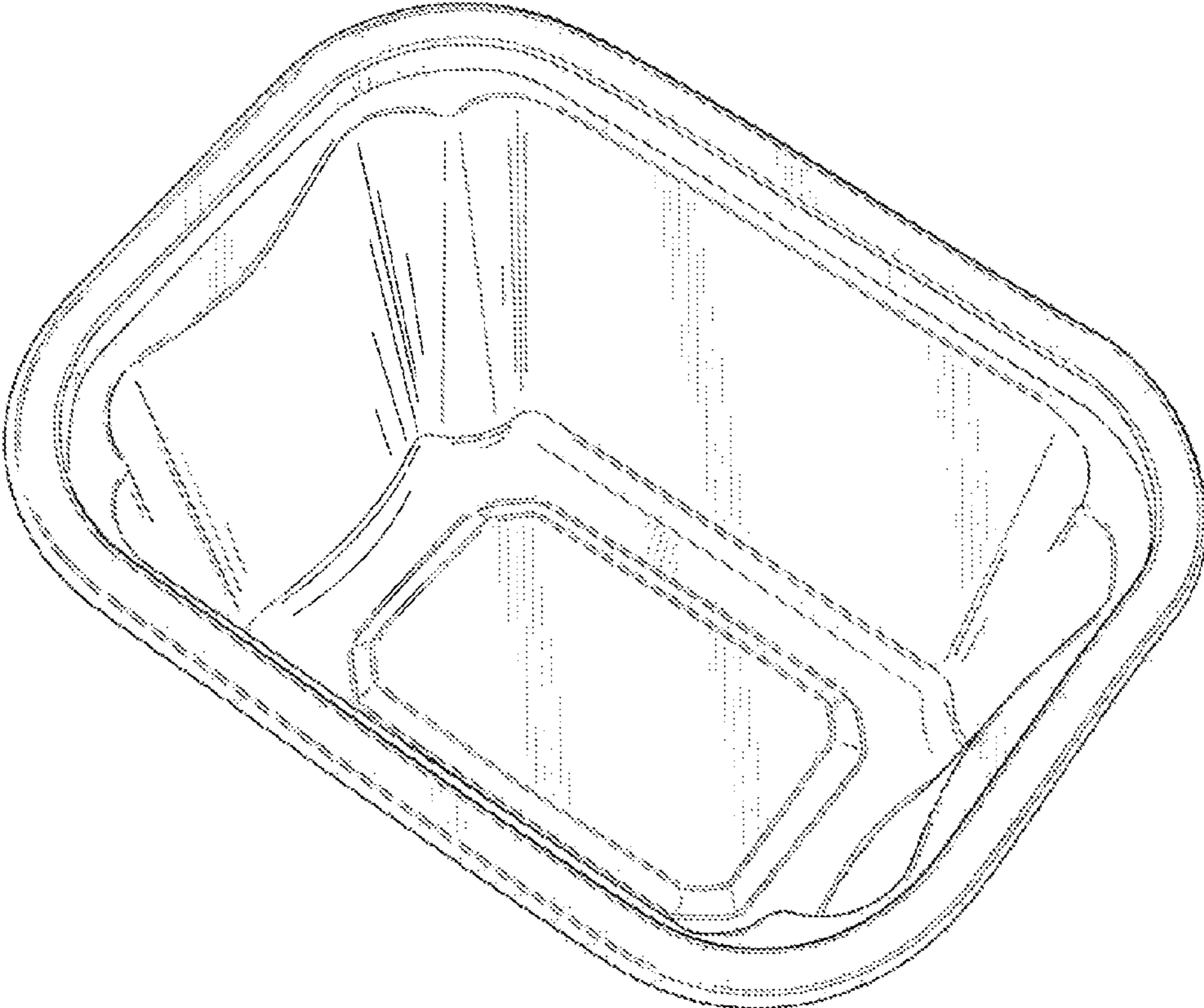


FIG. 10