



US00D615858S

(12) **United States Design Patent**  
**Prevost**

(10) **Patent No.:** **US D615,858 S**

(45) **Date of Patent:** **\*\* May 18, 2010**

(54) **CLAMSHELL PACKAGE**

(76) Inventor: **Pierre Marcel Prevost**, 2104-6659  
Southoaks Cr., Burnaby, BC (CA) V5E  
4M9

(\*\*) Term: **14 Years**

(21) Appl. No.: **29/341,874**

(22) Filed: **Aug. 13, 2009**

(51) **LOC (9) Cl.** ..... **09-03**

(52) **U.S. Cl.** ..... **D9/415**

(58) **Field of Classification Search** ..... D9/414-436;  
206/461-471, 806; 229/406

See application file for complete search history.

(56) **References Cited**

U.S. PATENT DOCUMENTS

2,780,385	A *	2/1957	Tupper	.....	220/797
4,193,496	A *	3/1980	Barratt	.....	206/380
4,202,464	A *	5/1980	Mohs et al.	.....	220/833
4,724,964	A *	2/1988	Hernandez	.....	206/461
D305,000	S *	12/1989	Hernandez	.....	D9/415
4,986,438	A *	1/1991	Borst	.....	220/315
5,699,913	A *	12/1997	Richardson	.....	206/470
D411,448	S *	6/1999	Baker	.....	D9/415
5,964,350	A *	10/1999	LaMarche et al.	.....	206/470
6,007,854	A *	12/1999	Cadiente et al.	.....	426/106
6,053,321	A *	4/2000	Kayser	.....	206/470
D473,137	S *	4/2003	Cadiente et al.	.....	D9/423
D531,798	S *	11/2006	Ringo	.....	D3/273
D598,740	S *	8/2009	Auer et al.	.....	D9/424

\* cited by examiner

*Primary Examiner*—Catherine Tuttle

(74) *Attorney, Agent, or Firm*—C. Larry Kyle; Nexus Law Group LLP

(57) **CLAIM**

The ornamental design for a clamshell package, as shown and described.

**DESCRIPTION**

FIG. 1 is a front perspective view of my clamshell package in an open position taken from the top left;

FIG. 2 is a front perspective view thereof in a half open position taken from the top right;

FIG. 3 is a front perspective view thereof in a closed position taken from the top right;

FIG. 4 is a front perspective view thereof in a partially open position taken from the top right;

FIG. 5 is a front perspective view thereof in the open position shown in FIG. 1 taken from the bottom right;

FIG. 6 is a left side view thereof in the open position shown in FIG. 1;

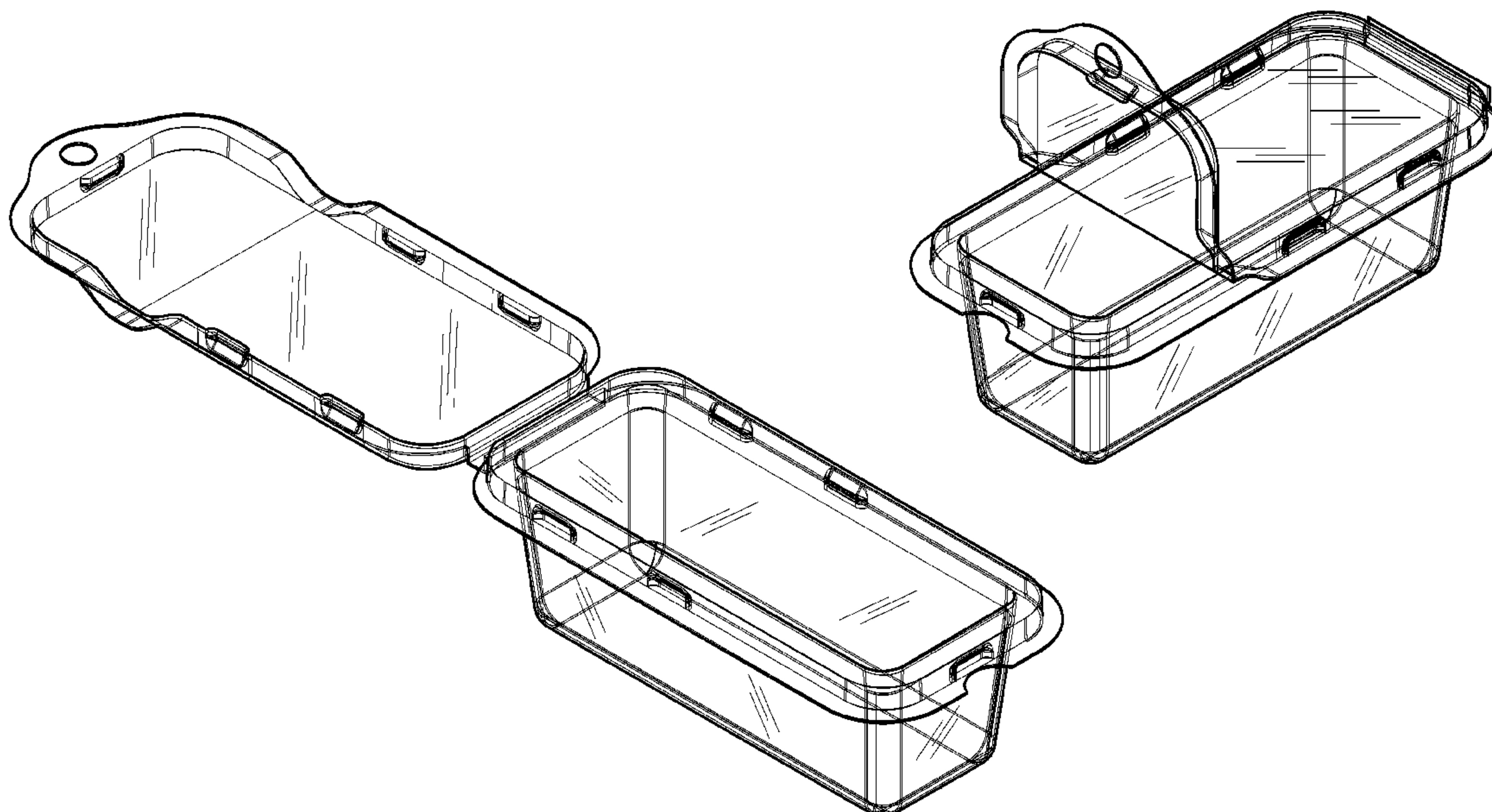
FIG. 7 is a bottom view thereof in the open position shown in FIG. 1;

FIG. 8 is a top view thereof in the open position shown in FIG. 1;

FIG. 9 is a rear view thereof in the open position shown in FIG. 1; and,

FIG. 10 is a front view thereof in the open position shown in FIG. 1.

**1 Claim, 6 Drawing Sheets**



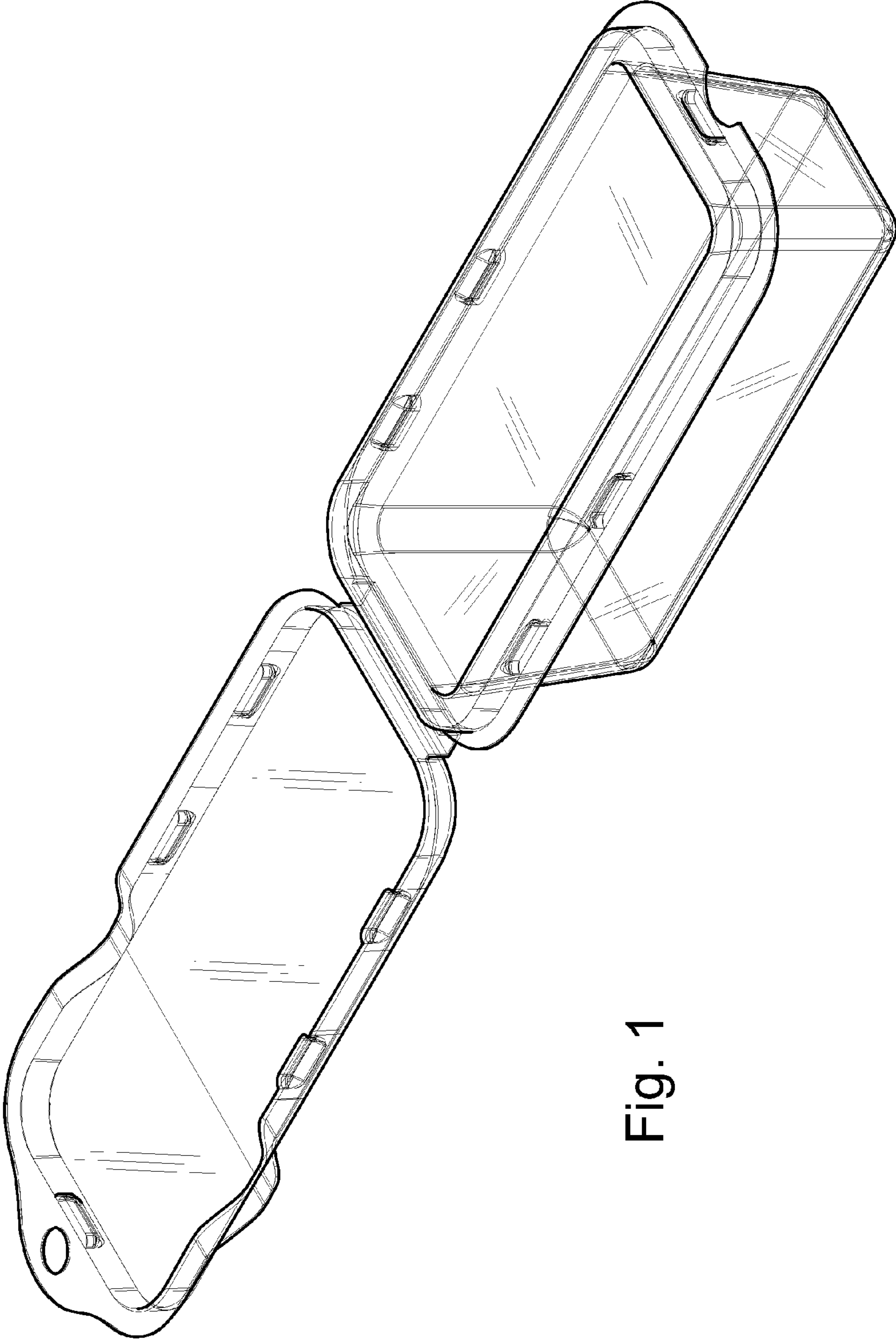


Fig. 1

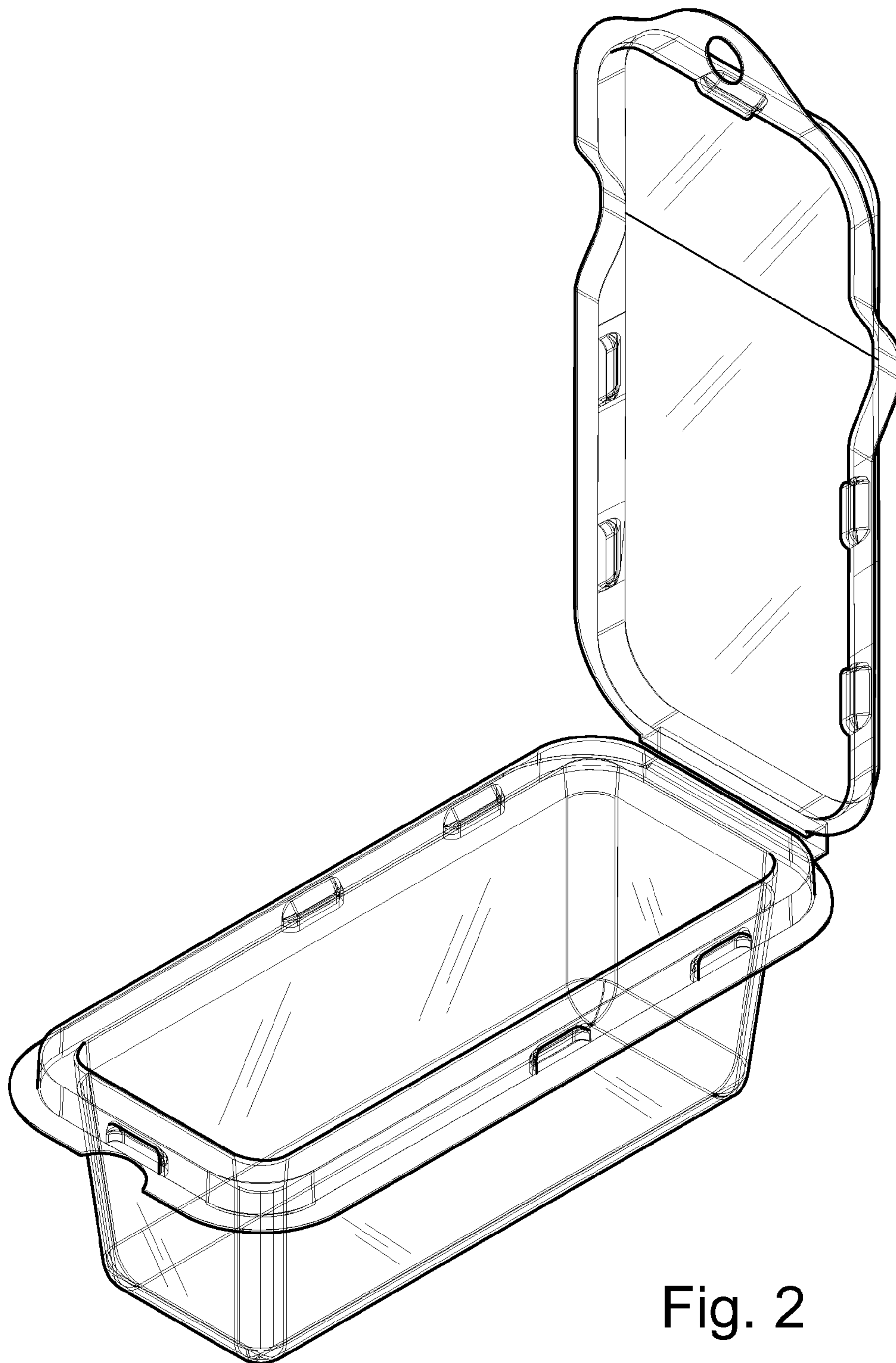


Fig. 2



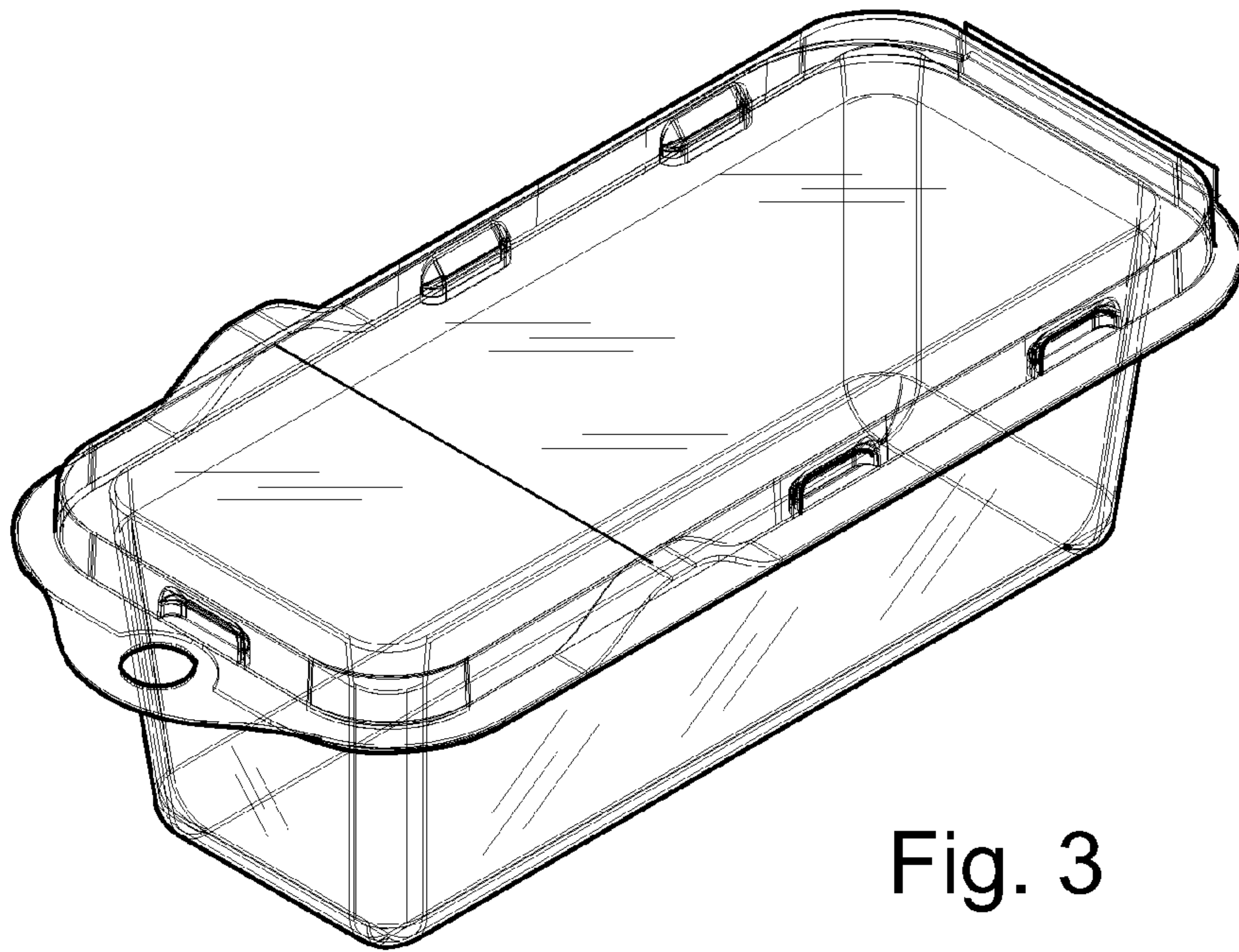


Fig. 3

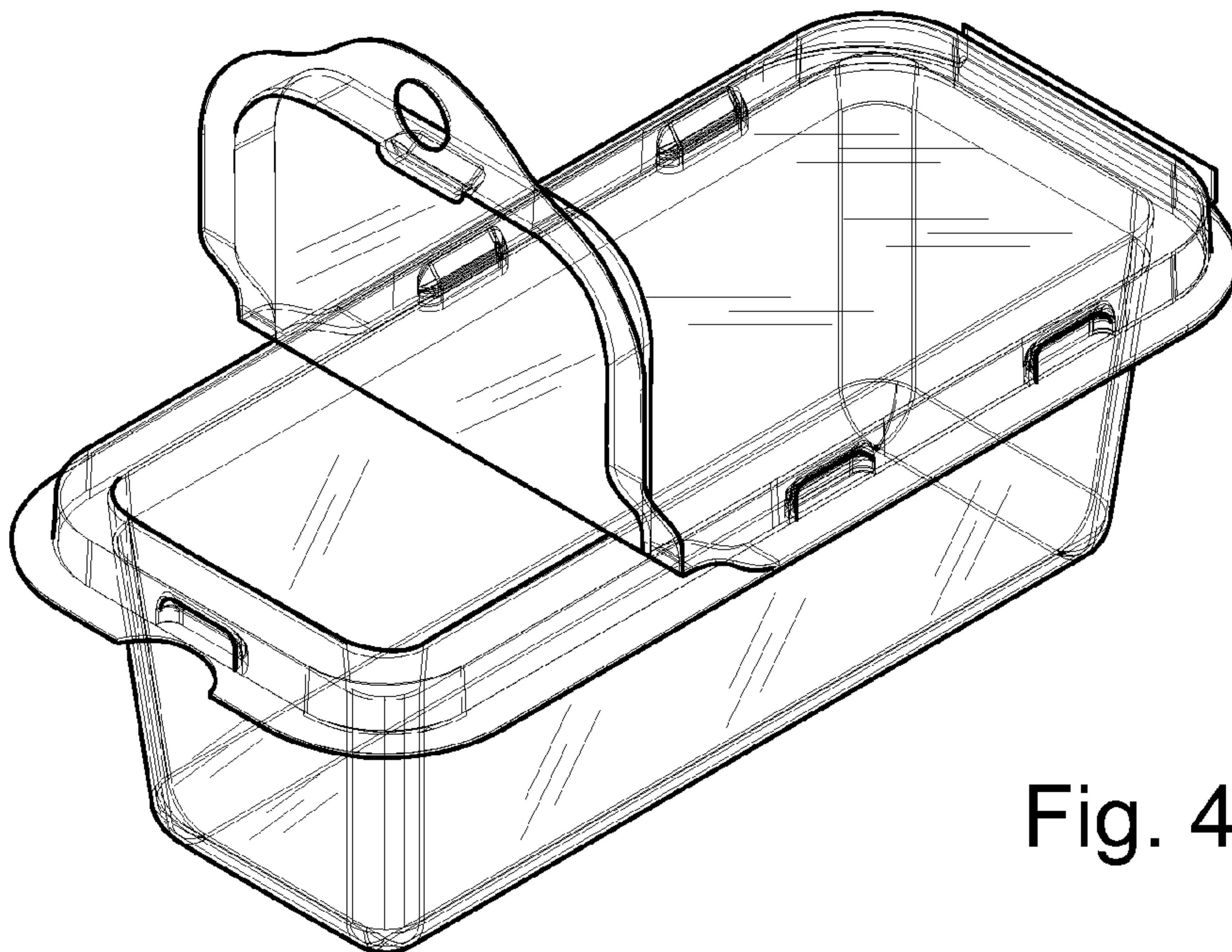


Fig. 4

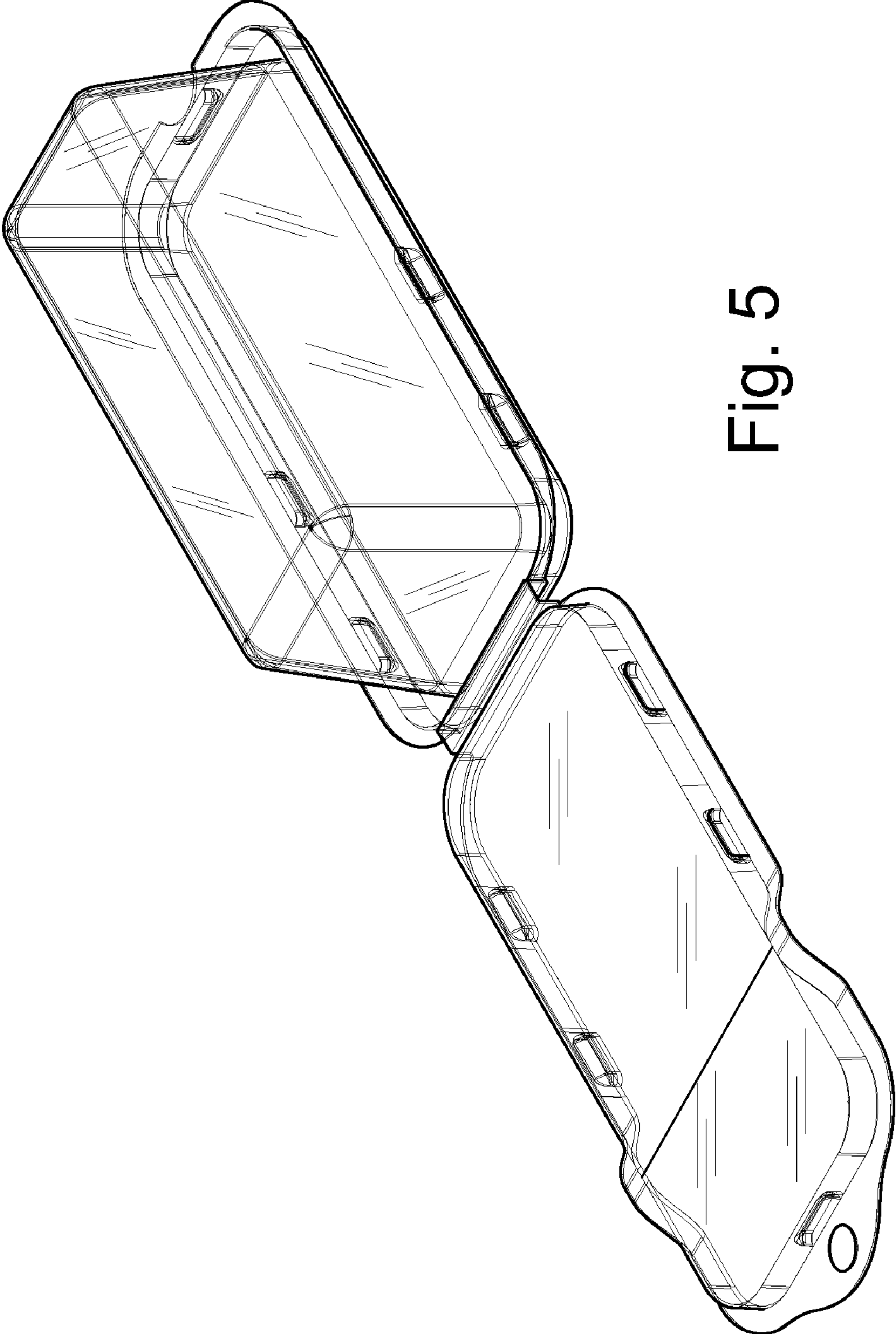


Fig. 5

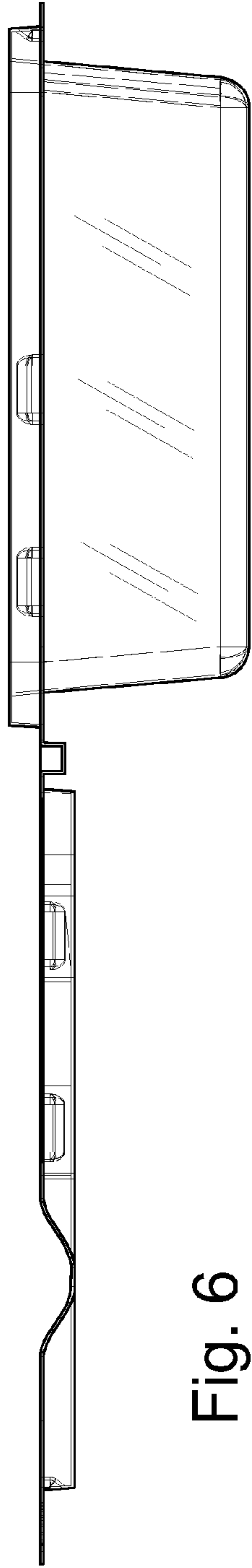


Fig. 6

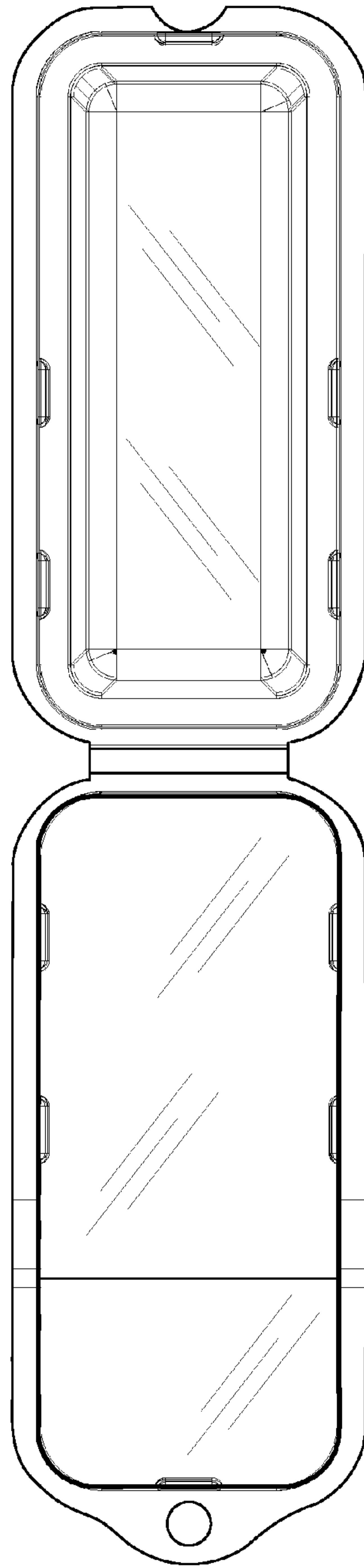


Fig. 7

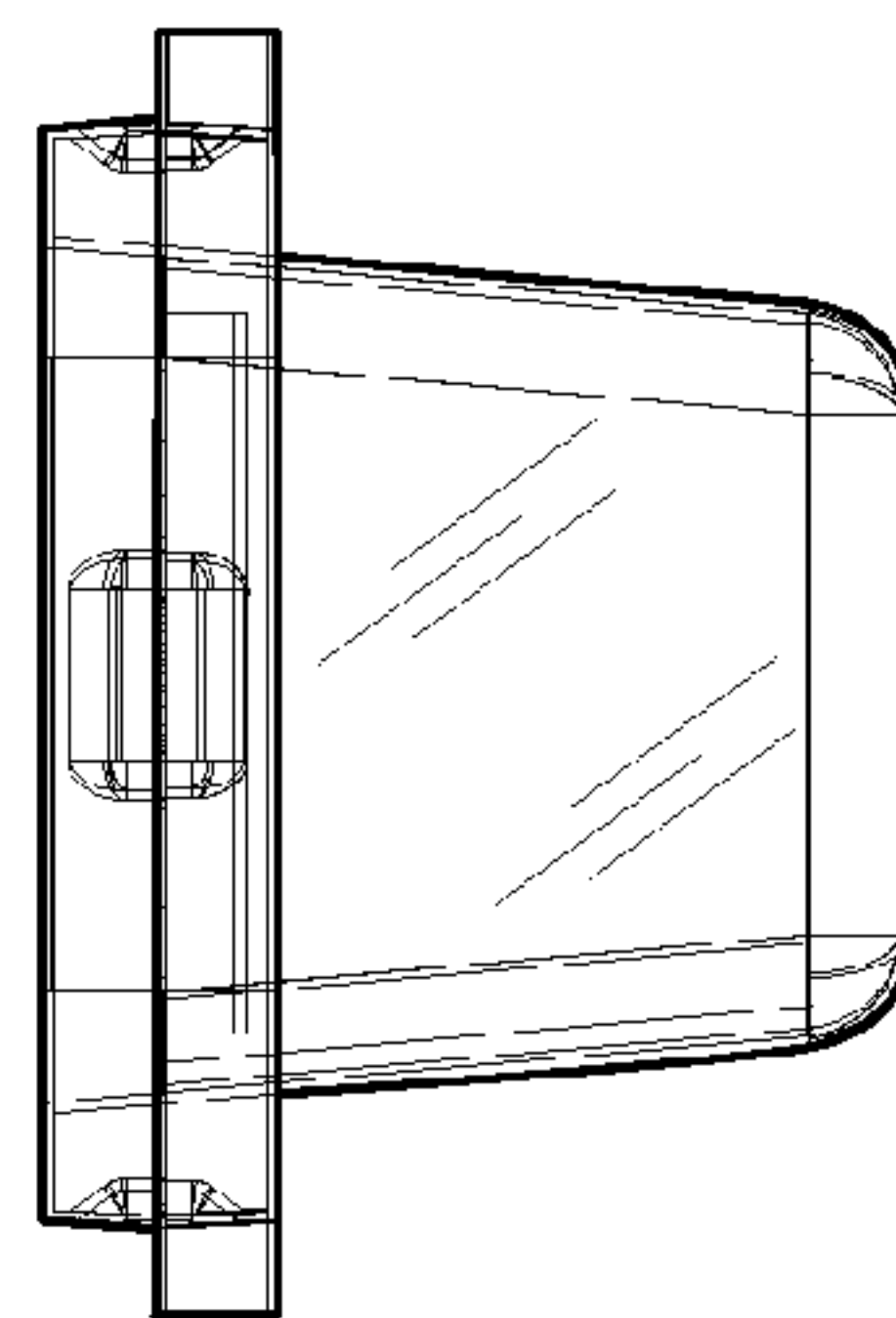
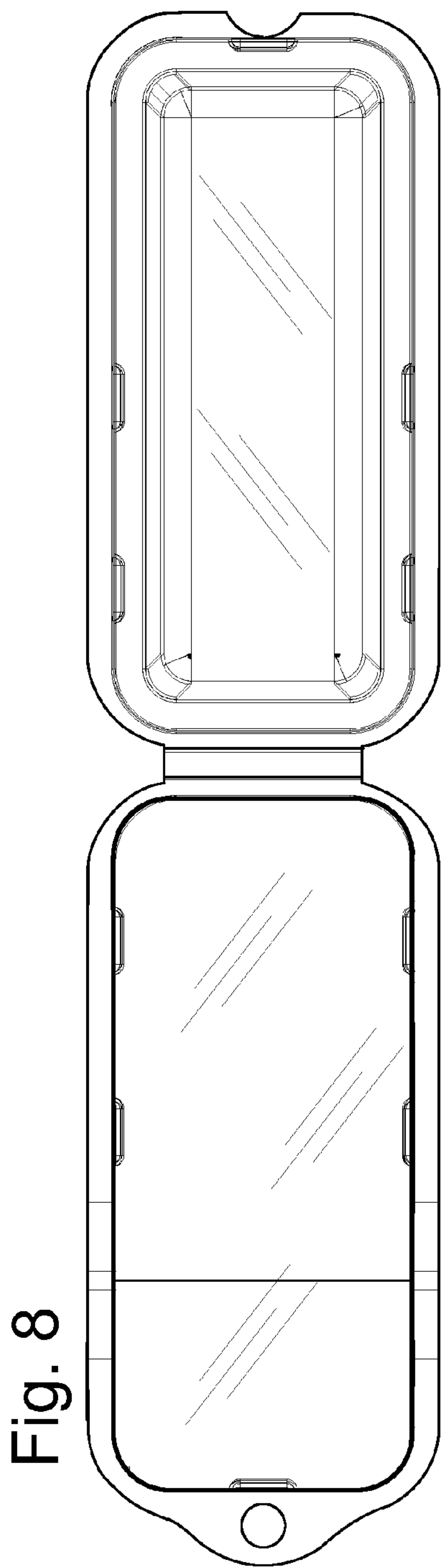


Fig. 10

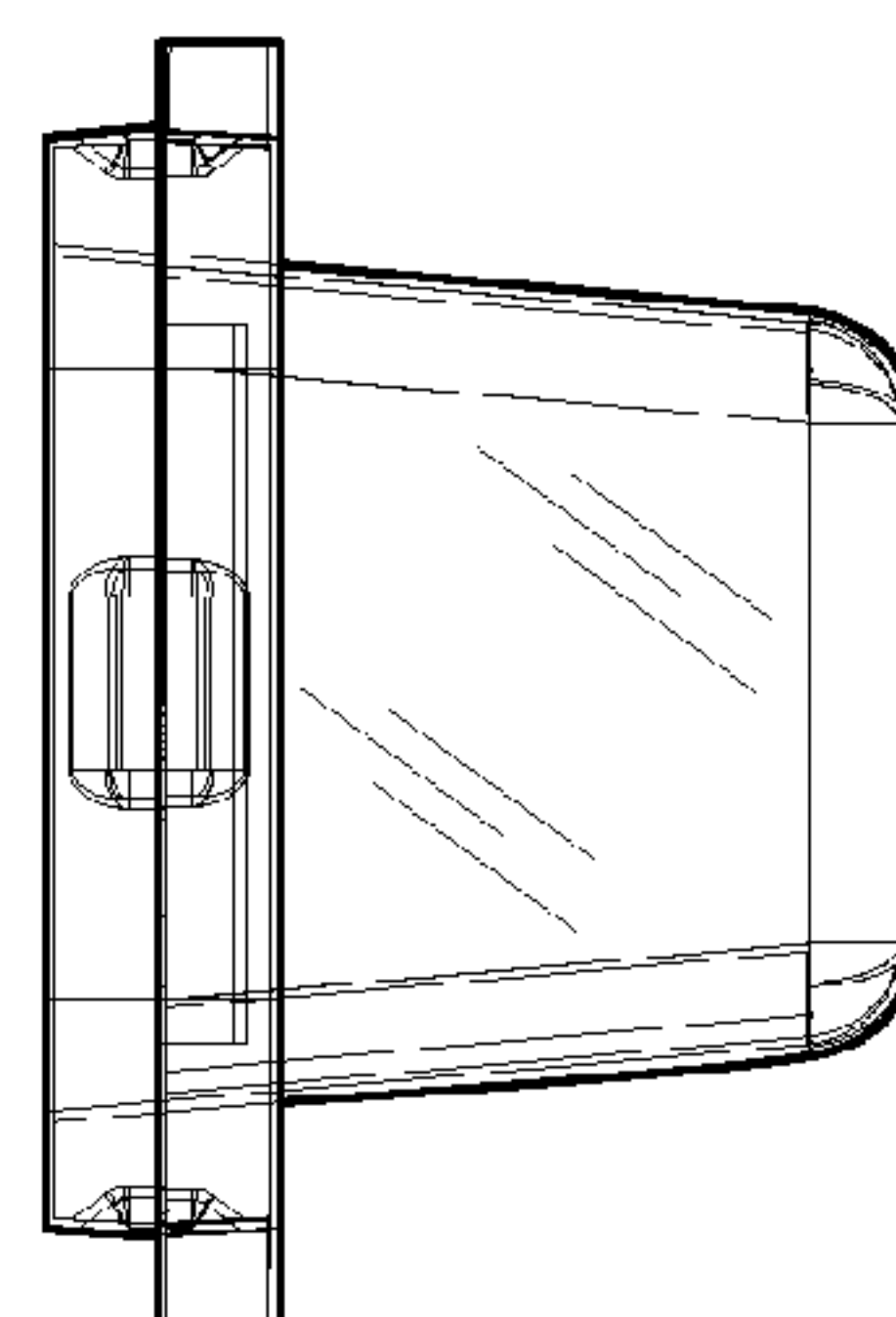


Fig. 9