



US00D615857S

(12) **United States Design Patent**  
**Chandler**

(10) **Patent No.:** **US D615,857 S**

(45) **Date of Patent:** **\*\* May 18, 2010**

(54) **HOSE CLAMP**

(76) Inventor: **Steve R. Chandler**, 9893 S. Houston Way, Germantown, TN (US) 38139

(\*\*) Term: **14 Years**

(21) Appl. No.: **29/350,796**

(22) Filed: **Nov. 24, 2009**

(51) **LOC (9) Cl.** ..... **08-08**

(52) **U.S. Cl.** ..... **D8/396; D23/265**

(58) **Field of Classification Search** ..... D8/396;  
D23/265; 24/274 R, 279; 285/252, 253  
See application file for complete search history.

(56) **References Cited**

U.S. PATENT DOCUMENTS

D155,997 S *	11/1949	Gries	.....	D8/398
3,087,220 A *	4/1963	Tinsley	.....	24/274 R
3,365,093 A *	1/1968	Malenke	.....	220/235
4,286,361 A *	9/1981	MacKenzie	.....	24/276
D289,141 S *	4/1987	Tunno et al.	.....	D8/396
4,887,334 A *	12/1989	Jansen et al.	.....	24/23 R
5,315,742 A *	5/1994	Fay	.....	24/274 R
5,410,781 A *	5/1995	Anjos et al.	.....	24/274 R

5,956,817 A *	9/1999	Chen	.....	24/274 R
6,000,104 A *	12/1999	Mann	.....	24/274 R
6,449,813 B2 *	9/2002	Keller et al.	.....	24/274 R

\* cited by examiner

*Primary Examiner*—T. Chase Nelson  
*Assistant Examiner*—John Windmuller  
(74) *Attorney, Agent, or Firm*—Wyatt, Tarrant & Combs, LLP; William S. Parks

(57) **CLAIM**

The ornamental design for a hose clamp, as shown and described.

**DESCRIPTION**

FIG. 1 is a perspective view of the hose clamp showing my new design;

FIG. 2 is a front view thereof;

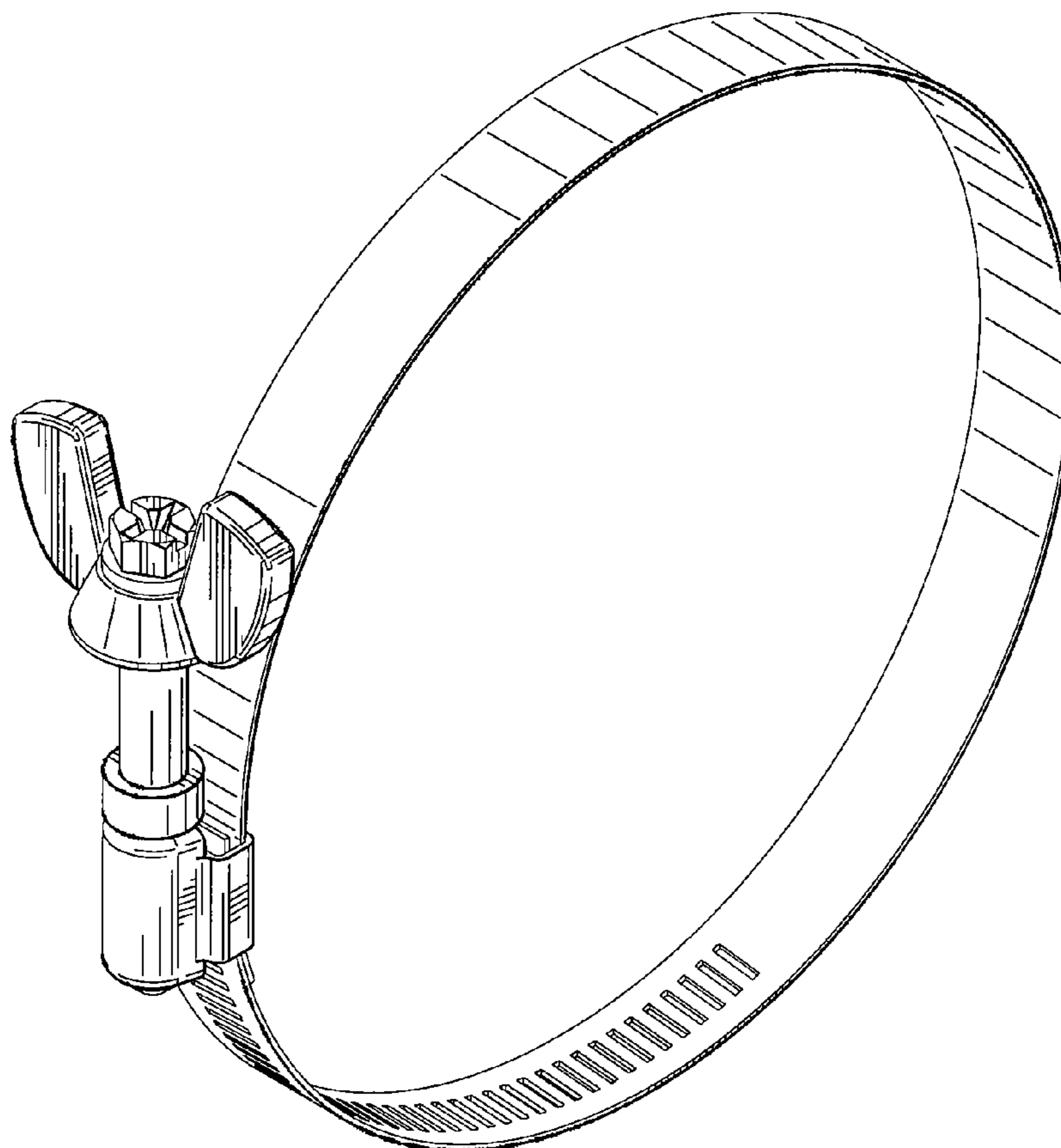
FIG. 3 is a top plan view thereof;

FIG. 4 is a rear view thereof;

FIG. 5 is a left side view thereof; and,

FIG. 6 is a right side view thereof.

**1 Claim, 4 Drawing Sheets**



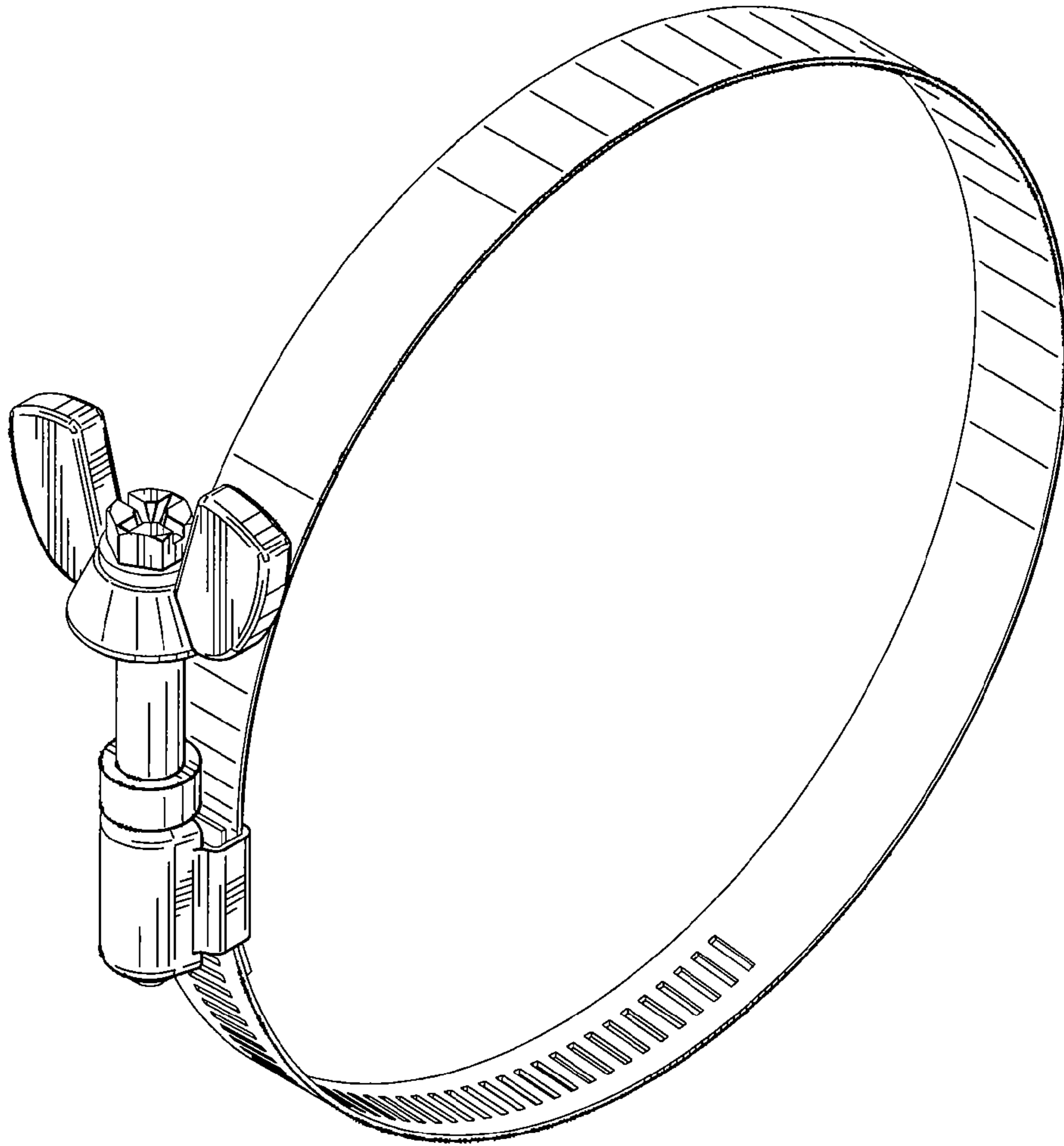


FIG. 1

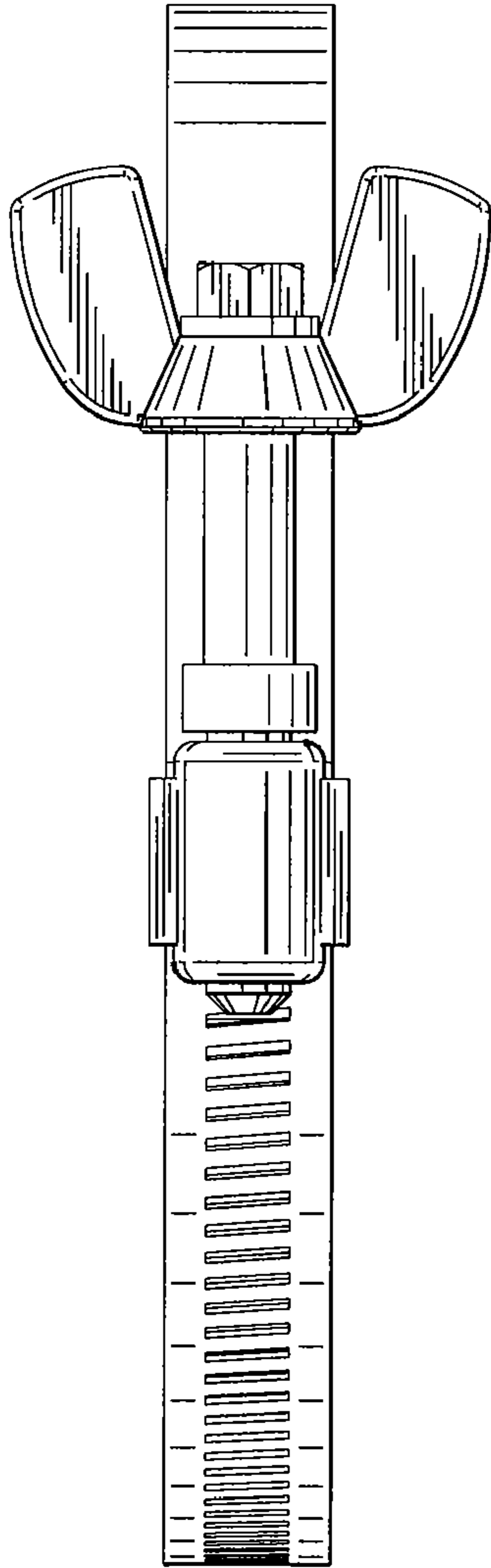


FIG. 2

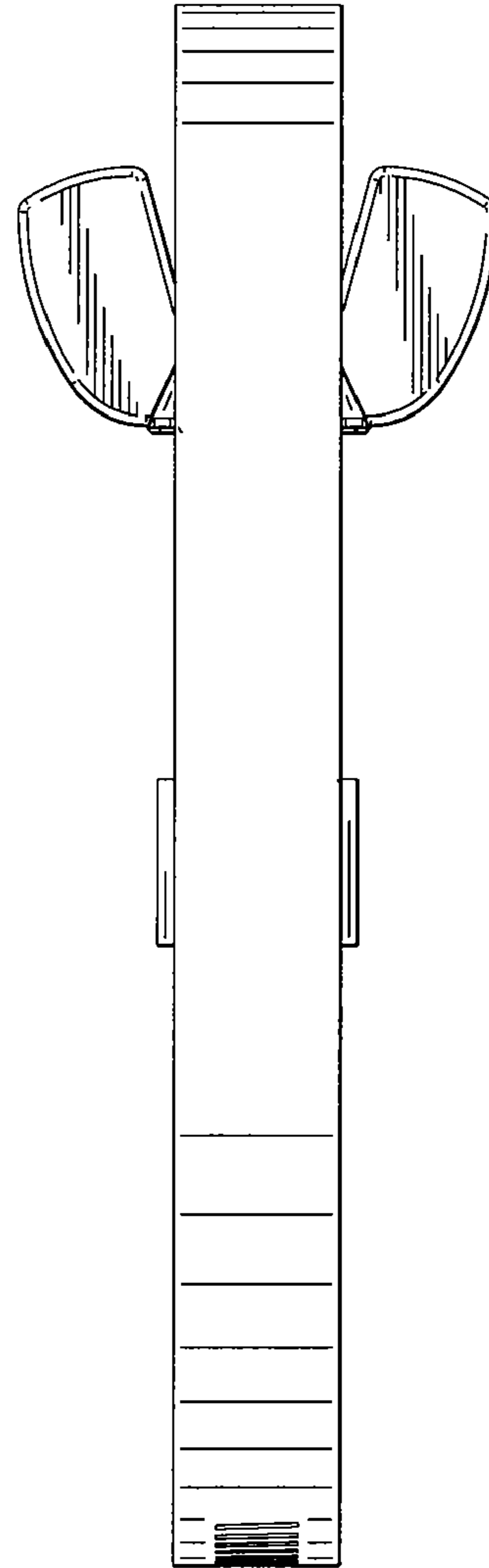


FIG. 4

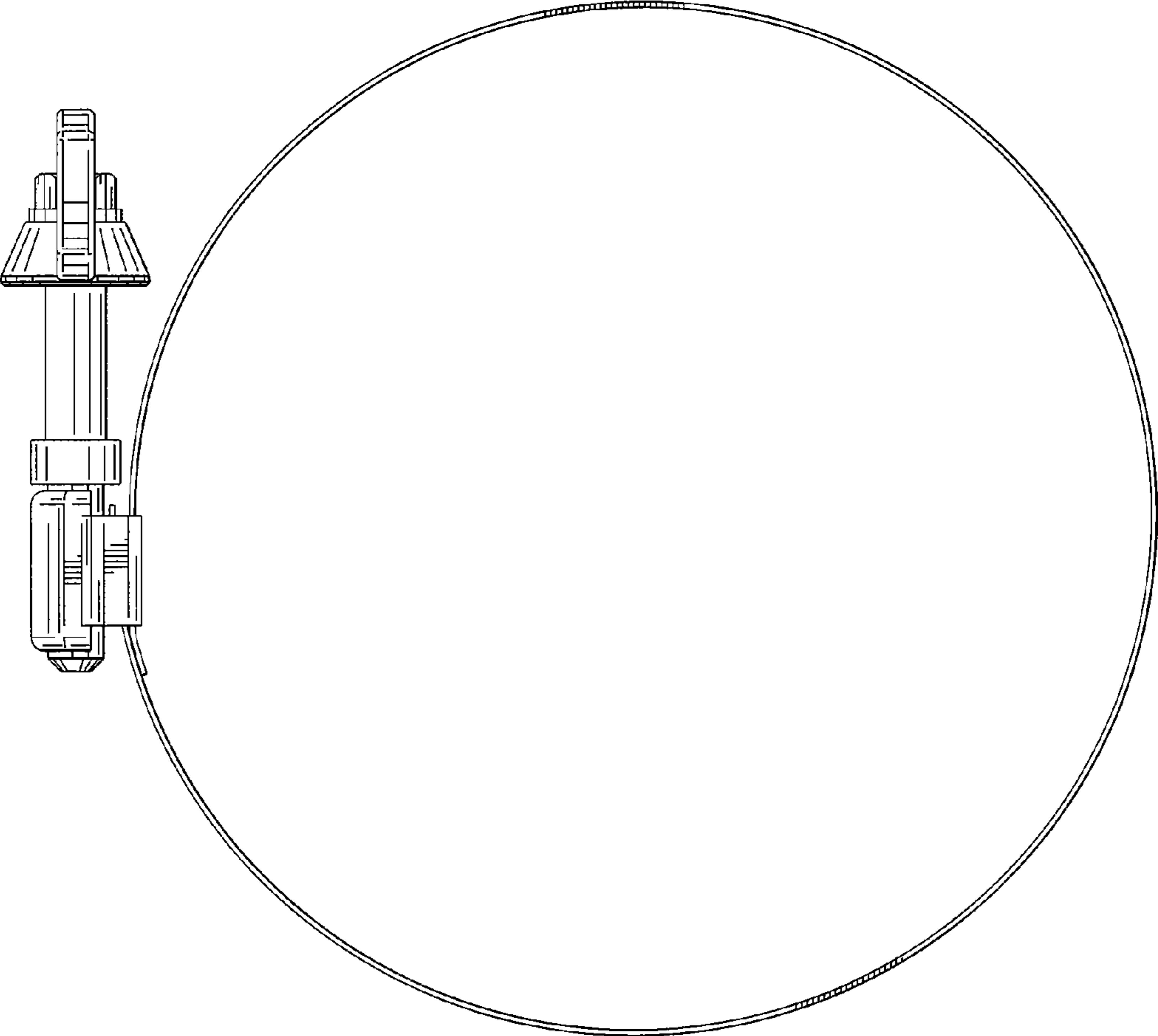


FIG. 3

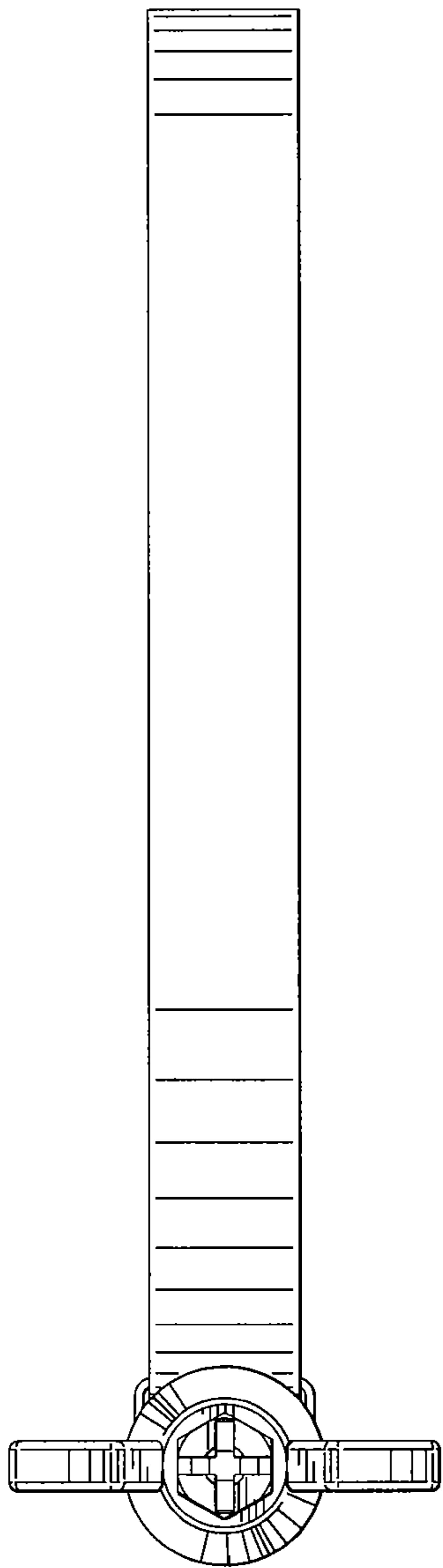


FIG. 5

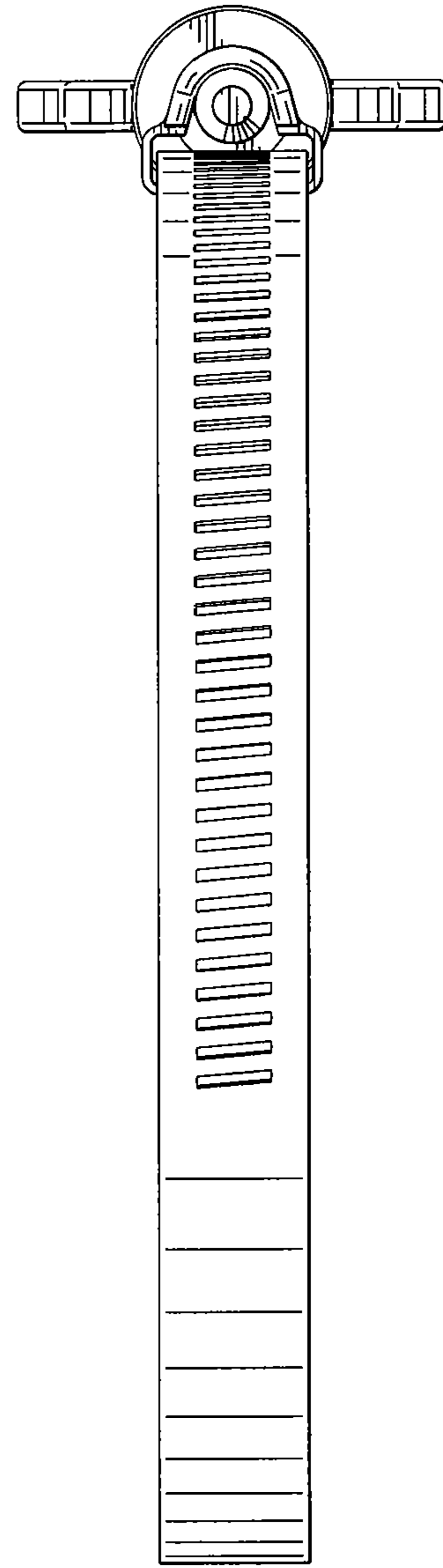


FIG. 6