



US00D615855S

(12) **United States Design Patent**
Gaudron et al.

(10) **Patent No.:** **US D615,855 S**
(45) **Date of Patent:** **** May 18, 2010**

- (54) **STUD**
- (75) Inventors: **Paul Gaudron**, Stratford, CT (US);
Jacob Olsen, Roselle, IL (US)
- (73) Assignee: **Power Fasteners, Inc.**, Brewster, NY
(US)
- (**) Term: **14 Years**
- (21) Appl. No.: **29/337,370**
- (22) Filed: **May 20, 2009**
- (51) **LOC (9) Cl.** **08-08**
- (52) **U.S. Cl.** **D8/387**
- (58) **Field of Classification Search** D8/387,
D8/385; 411/178, 378, 402, 403, 393, 411,
411/184, 188, 427, 395
See application file for complete search history.

(56) **References Cited**

U.S. PATENT DOCUMENTS

D222,432 S * 10/1971 Kaufman D8/387

(Continued)

Primary Examiner—Holly H Baynham
Assistant Examiner—Sheryl Lane
(74) *Attorney, Agent, or Firm*—Cantor Colburn LLP

(57) **CLAIM**

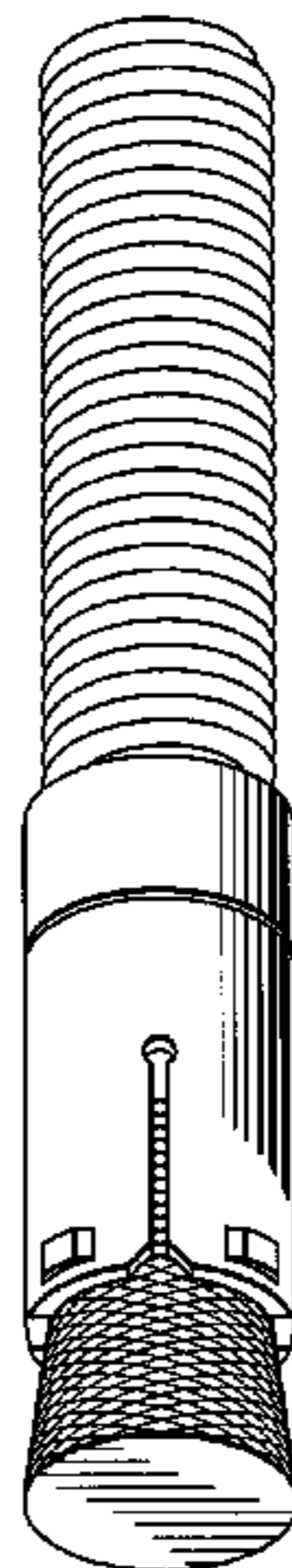
I claim, the ornamental design for a stud, as shown and described.

DESCRIPTION

- FIG. 1 is a front view of the stud having a diamond-knurled wedge;
- FIG. 2 is a side view of the stud having a diamond-knurled wedge;
- FIG. 3 is a top perspective view of the stud having a diamond-knurled wedge;
- FIG. 4 is a bottom perspective view of the stud having a diamond-knurled wedge;

- FIG. 5 is a top plan view of the stud having a diamond-knurled wedge;
- FIG. 6 is a bottom plan view of the stud having a diamond-knurled wedge;
- FIG. 7 is a front view of the stud having a cross knurled wedge;
- FIG. 8 is a side view of the stud having a cross knurled wedge;
- FIG. 9 is a top perspective view of the stud having a cross knurled wedge;
- FIG. 10 is a bottom perspective view of the stud having a cross knurled wedge;
- FIG. 11 is a top plan view of the stud having a cross knurled wedge;
- FIG. 12 is a bottom plan view of the stud having a cross knurled wedge;
- FIG. 13 is a front view of the stud having longitudinal ridges;
- FIG. 14 is a side view of the stud having longitudinal ridges;
- FIG. 15 is a top perspective view of the stud having longitudinal ridges;
- FIG. 16 is a bottom perspective view of the stud having longitudinal ridges;
- FIG. 17 is a top plan view of the stud having longitudinal ridges;
- FIG. 18 is a bottom plan view of the stud having longitudinal ridges;
- FIG. 19 is a front view of the stud having latitudinal ridges;
- FIG. 20 is a side view of the stud having latitudinal ridges;
- FIG. 21 is a top perspective view of the stud having latitudinal ridges;
- FIG. 22 is a bottom perspective view of the stud having latitudinal ridges;
- FIG. 23 is a top plan view of the stud having latitudinal ridges; and,
- FIG. 24 is a bottom plan view of the stud having latitudinal ridges.

1 Claim, 8 Drawing Sheets



US D615,855 S

Page 2

U.S. PATENT DOCUMENTS

D248,824 S *	8/1978	Imai et al.	D8/387	D532,178 S *	11/2006	Martin	D34/31
4,861,197 A *	8/1989	Calandra, Jr.	405/259.3	D558,042 S *	12/2007	Gaudron	D8/387
D336,844 S *	6/1993	Hozapfel et al.	D8/387	D576,027 S *	9/2008	Lanz	D8/387
D422,485 S *	4/2000	Lodi	D8/387	D584,137 S *	1/2009	Edge, Jr.	D8/387

* cited by examiner

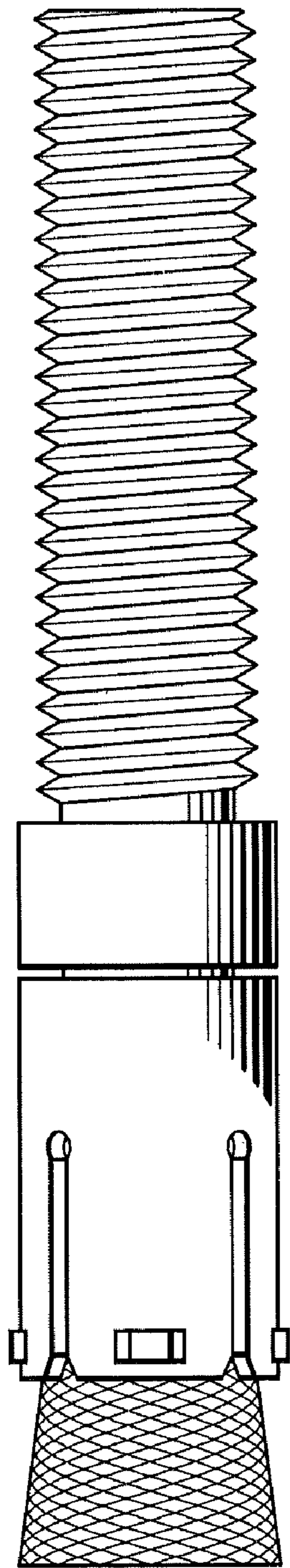


Fig. 1

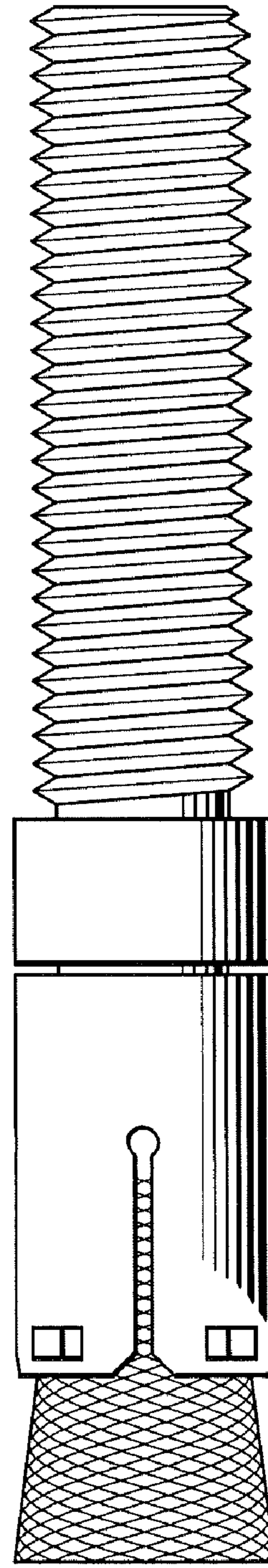


Fig. 2

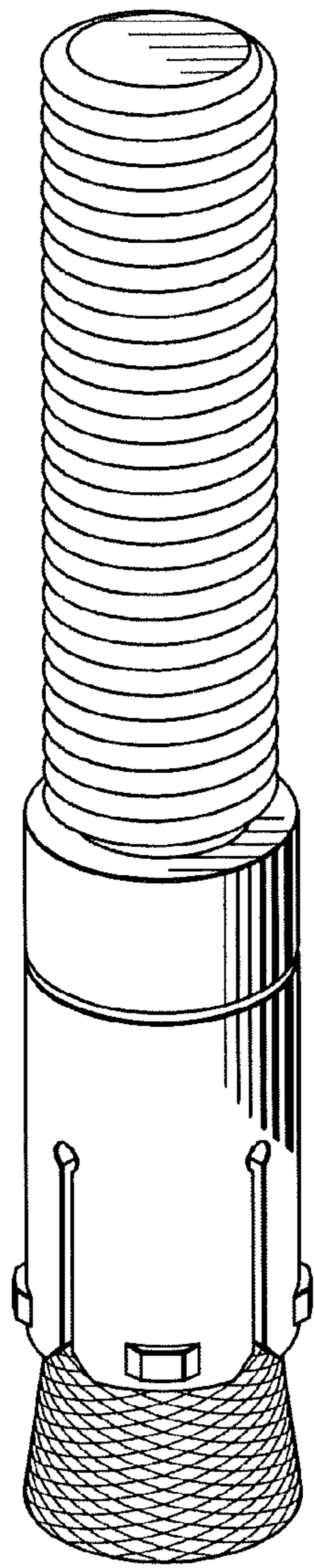


Fig. 3

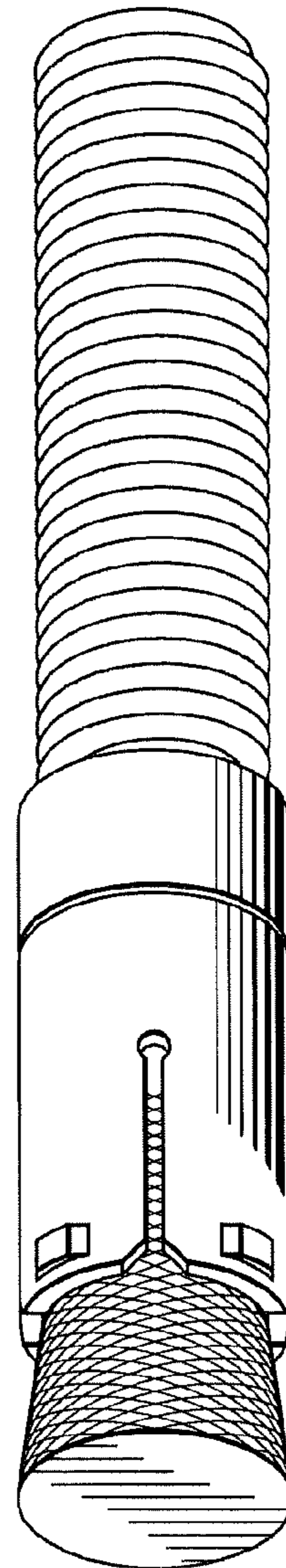


Fig. 4

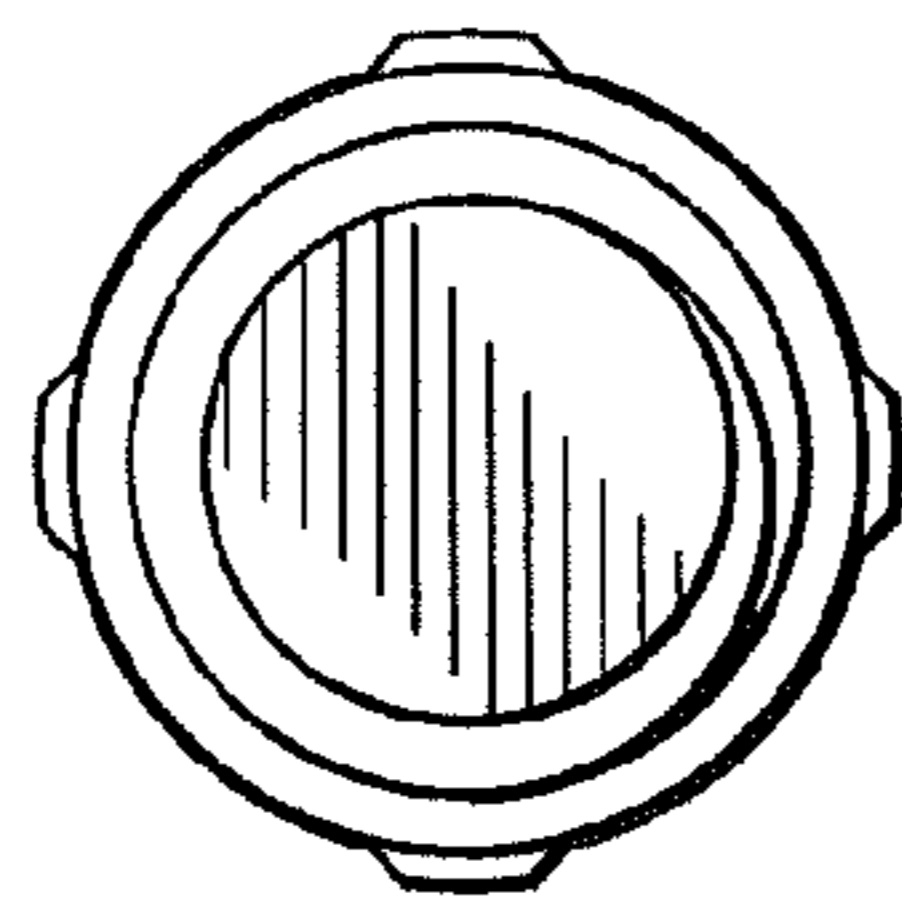


Fig. 5

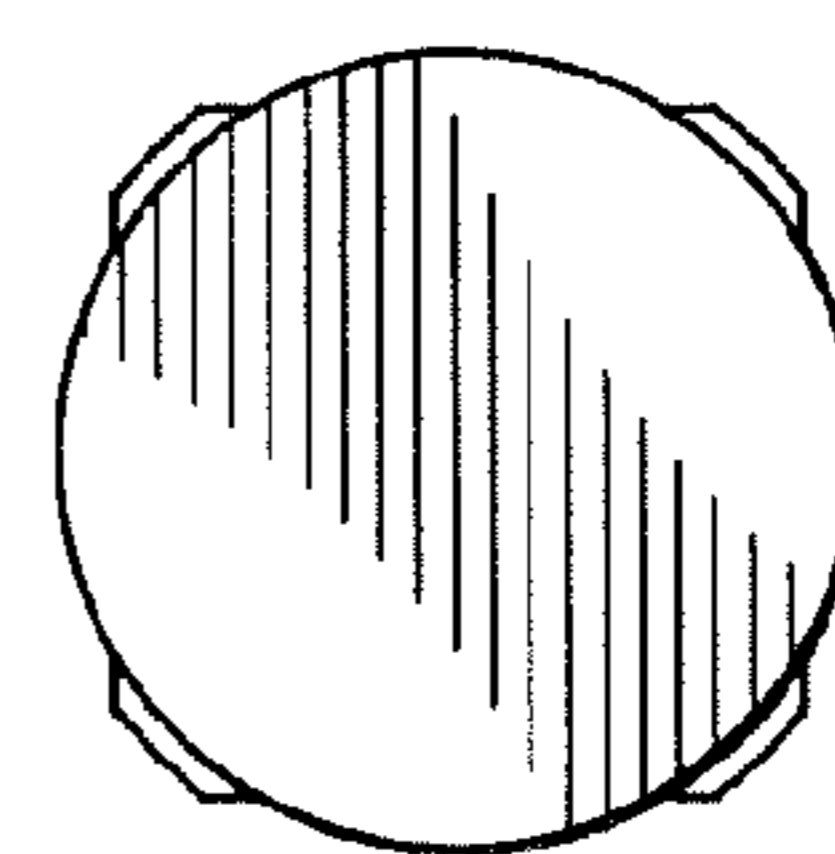


Fig. 6

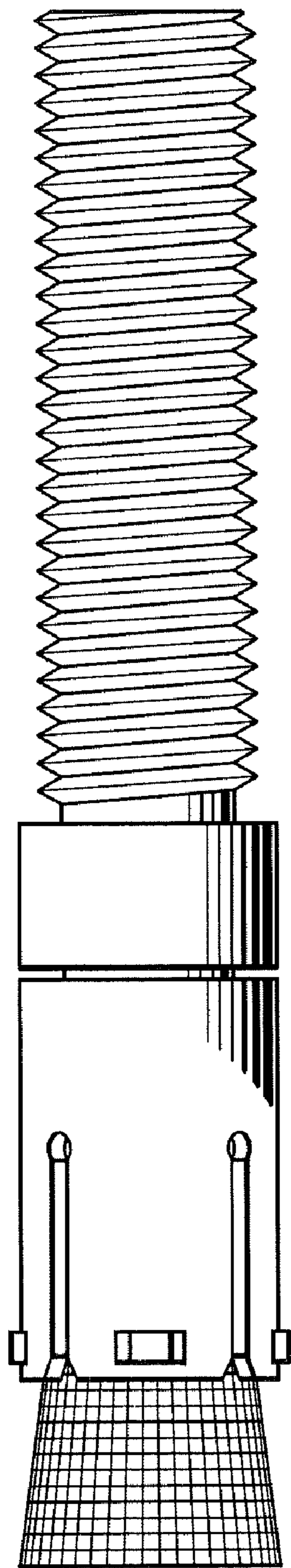


Fig. 7

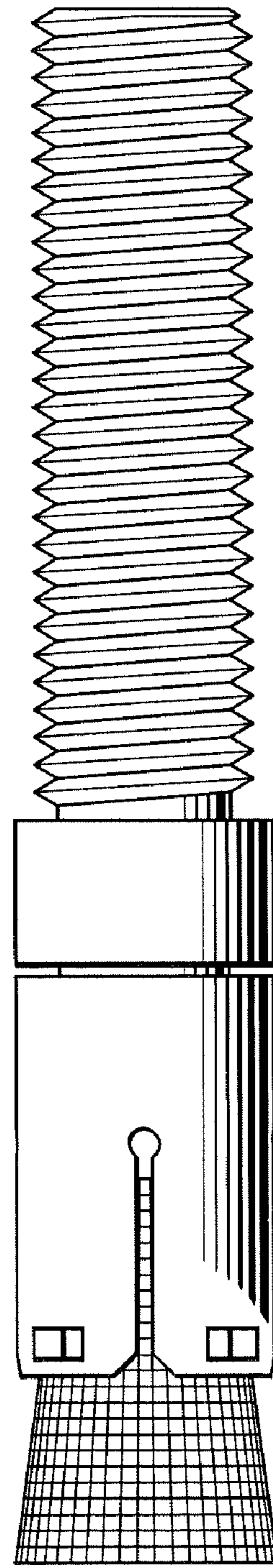


Fig. 8

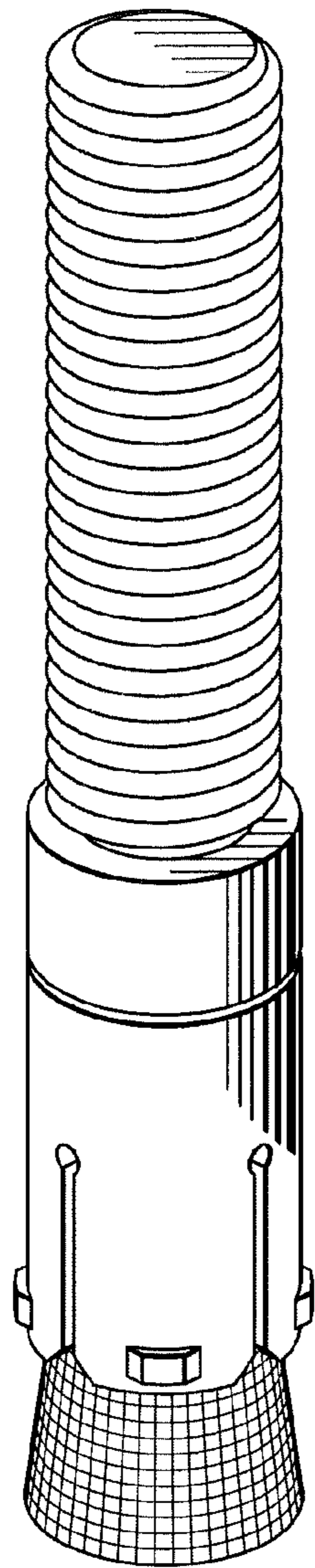


Fig. 9

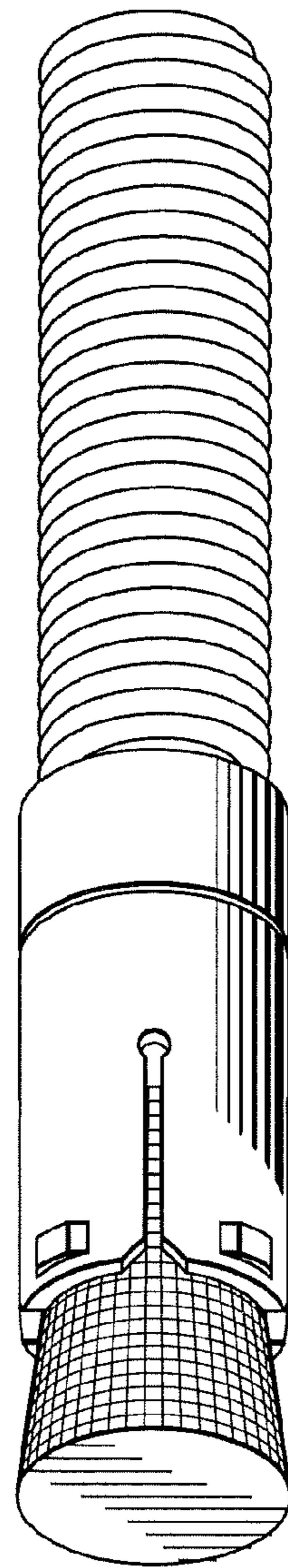


Fig. 10

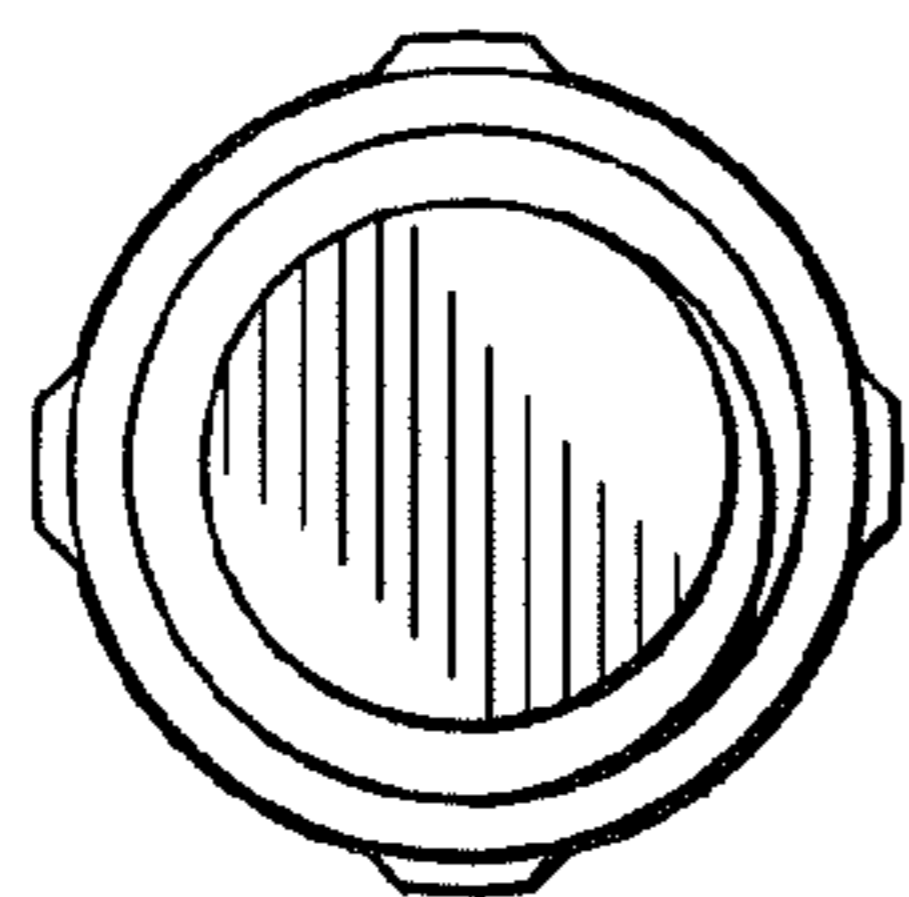


Fig. 11

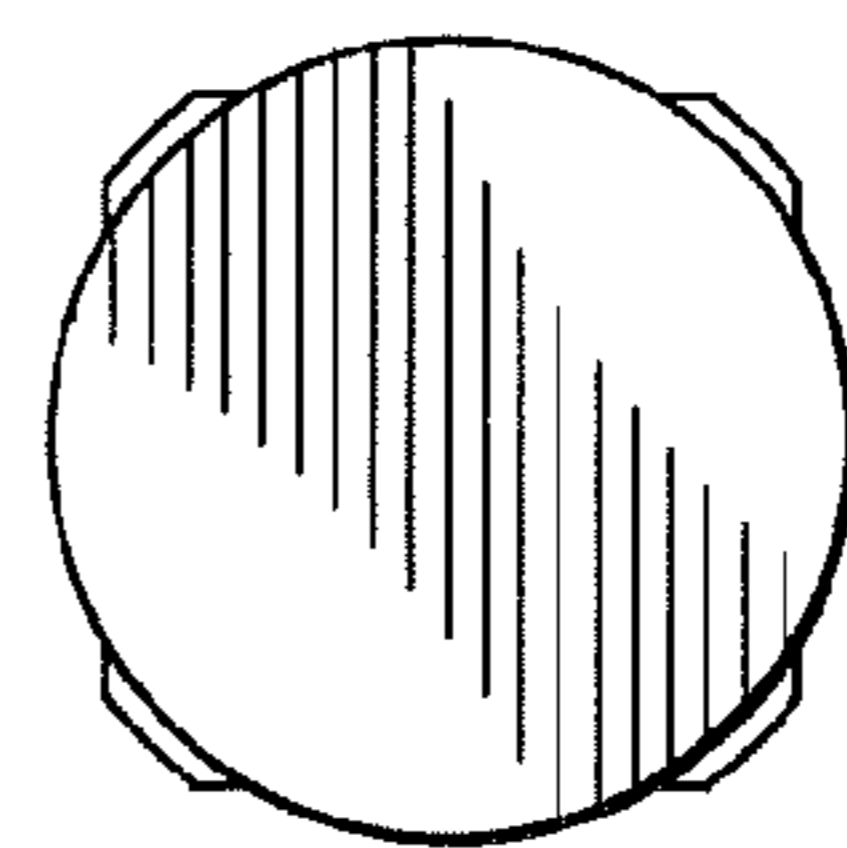


Fig. 12

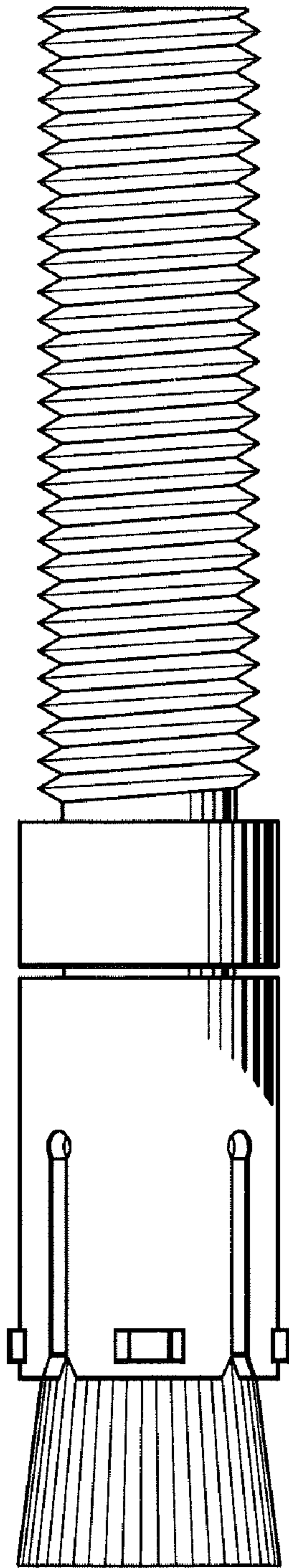


Fig. 13

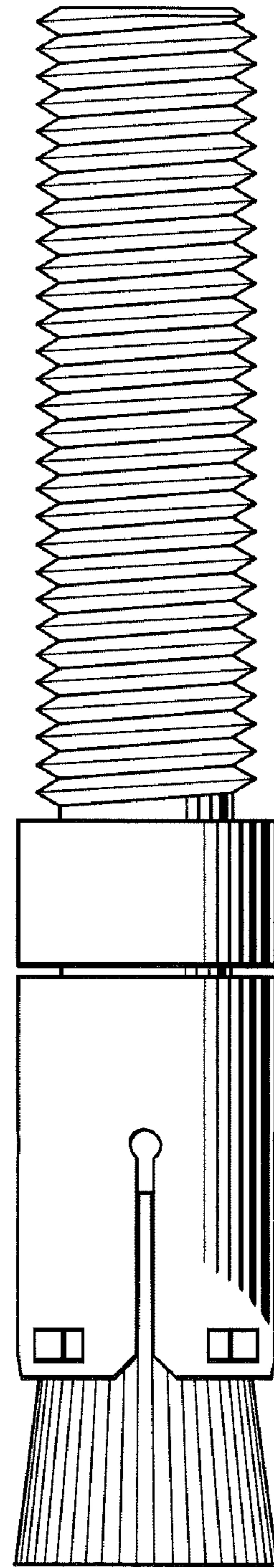


Fig. 14

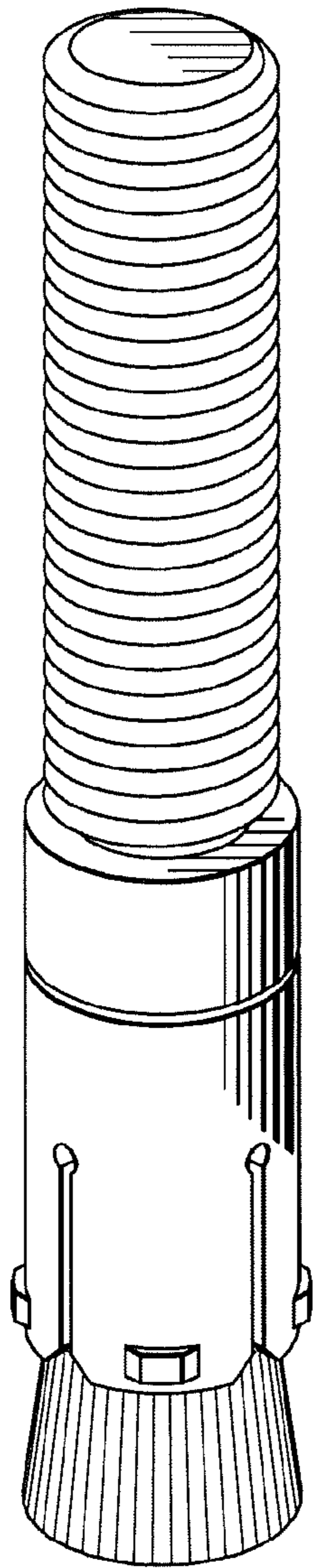


Fig. 15

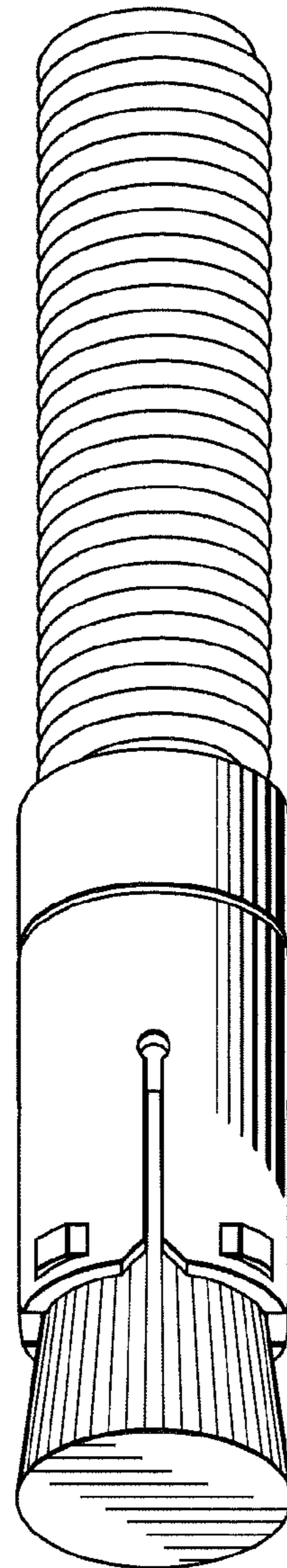


Fig. 16

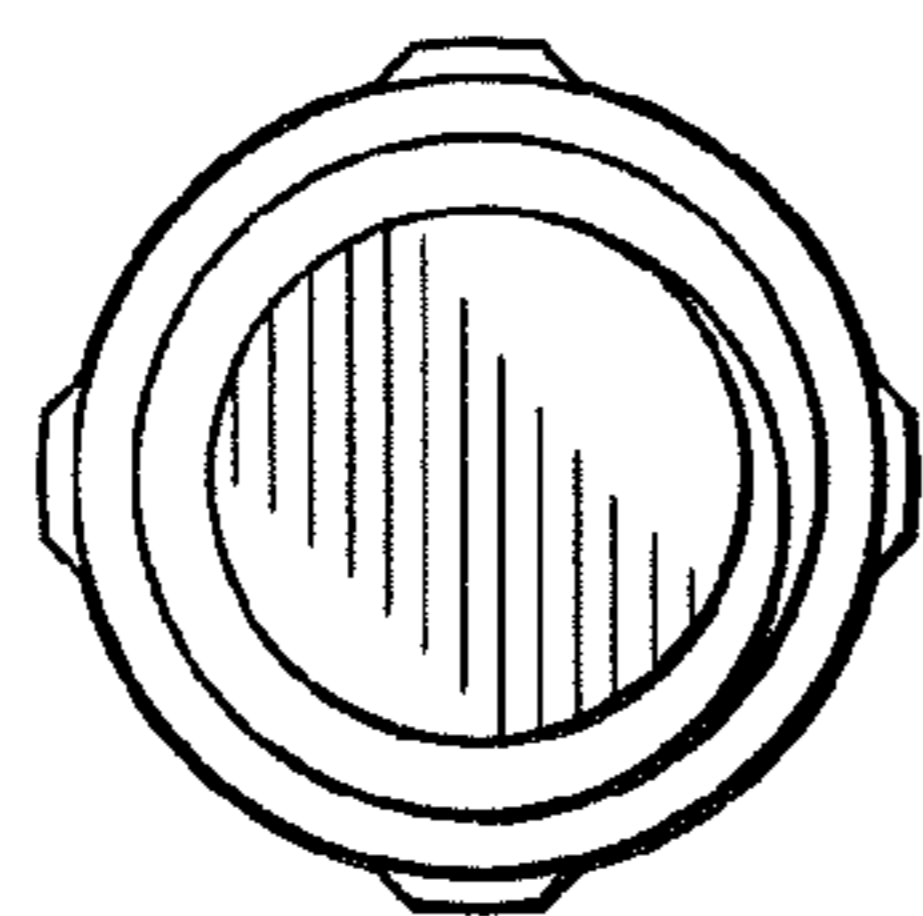


Fig. 17

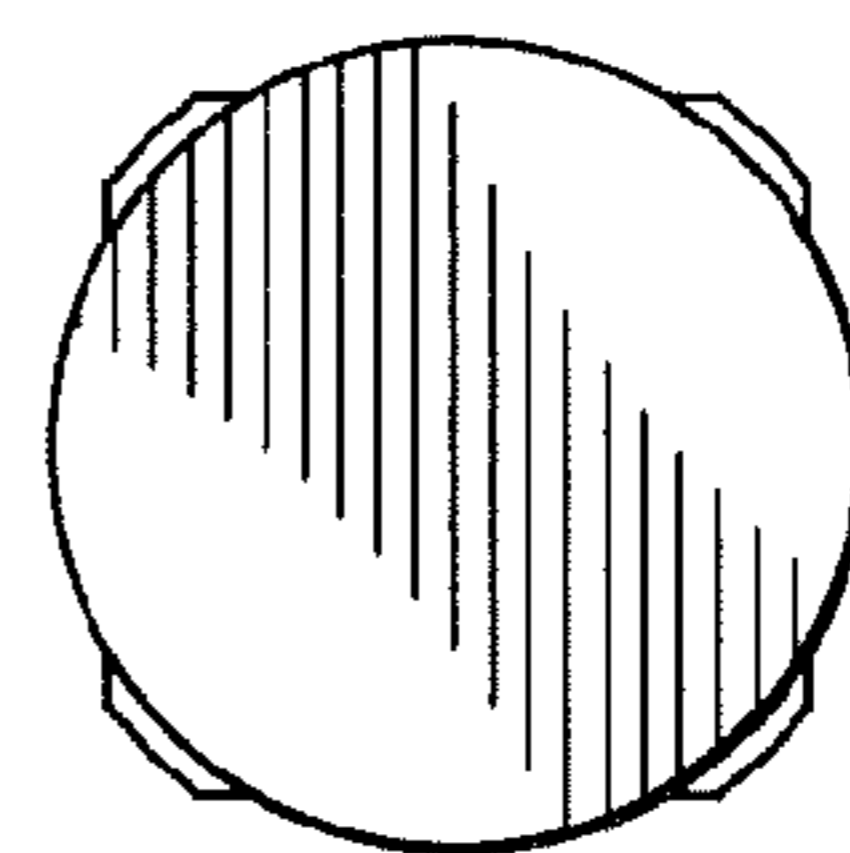


Fig. 18

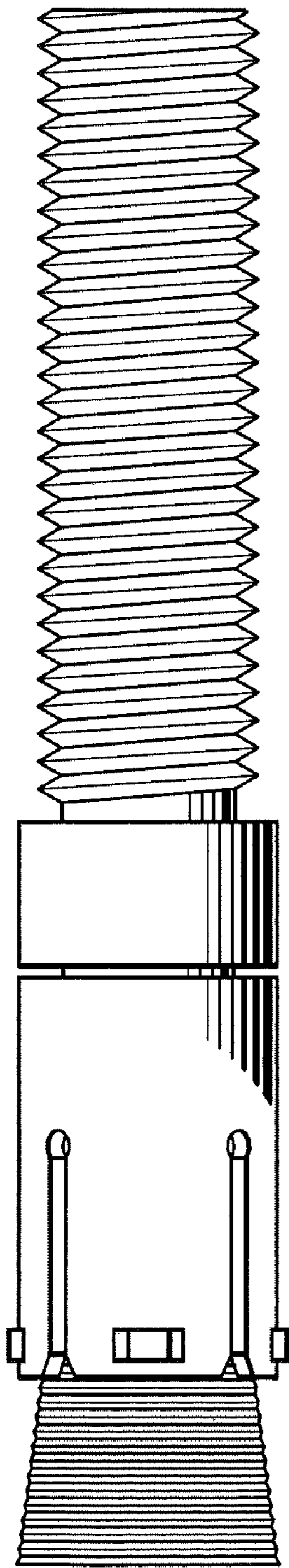


Fig. 19

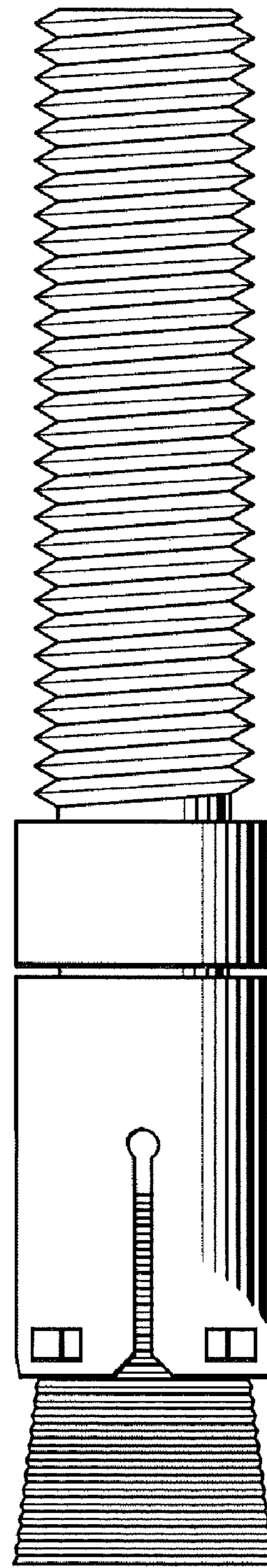


Fig. 20

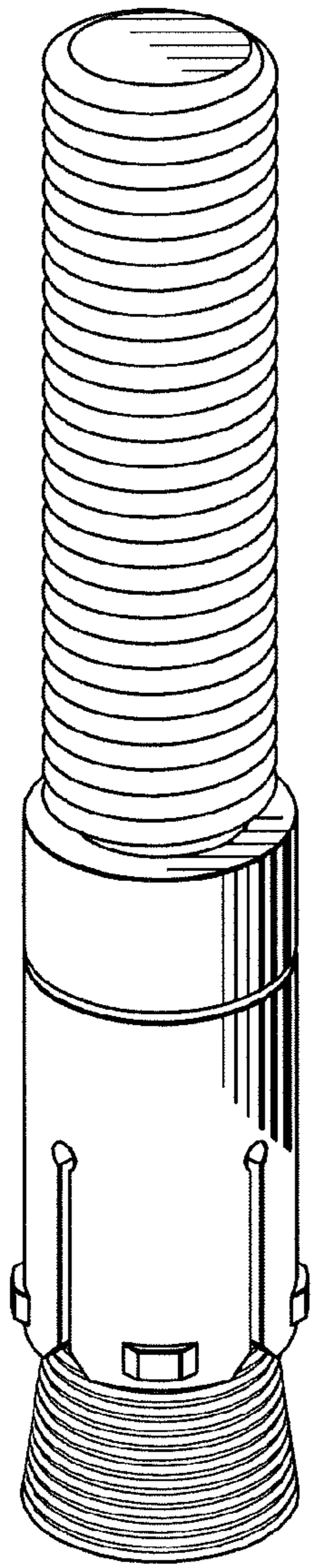


Fig. 21

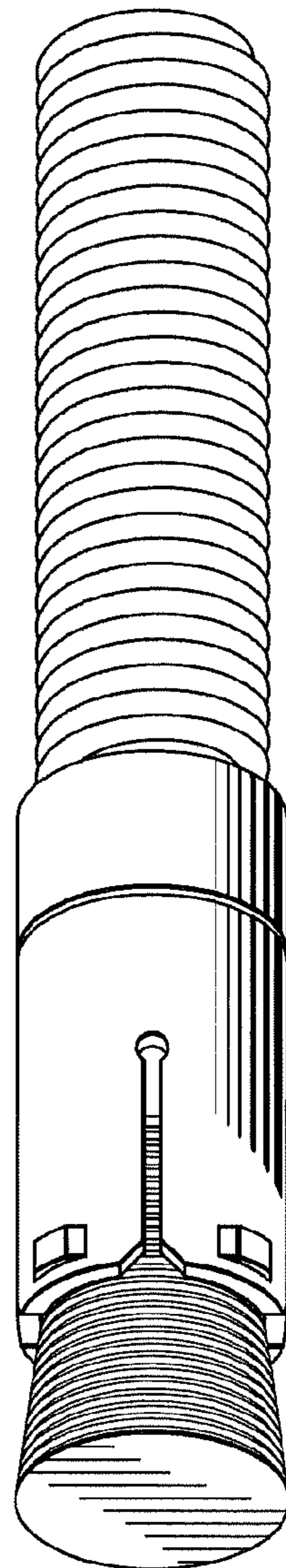


Fig. 22

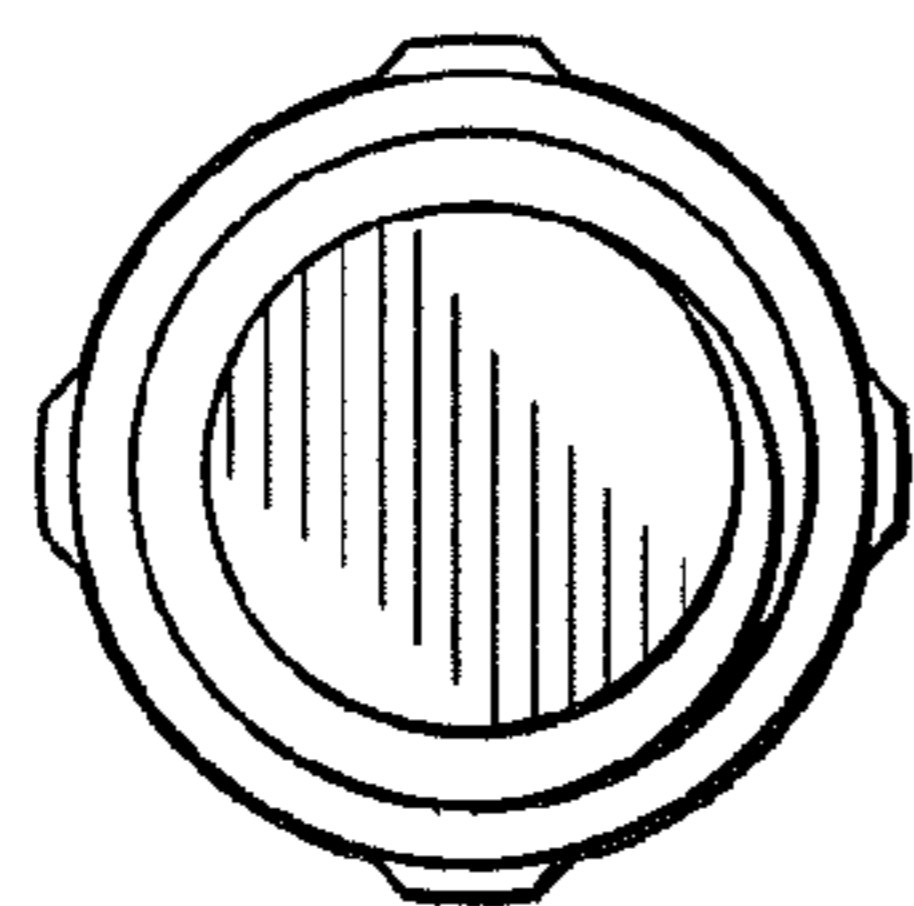


Fig. 23

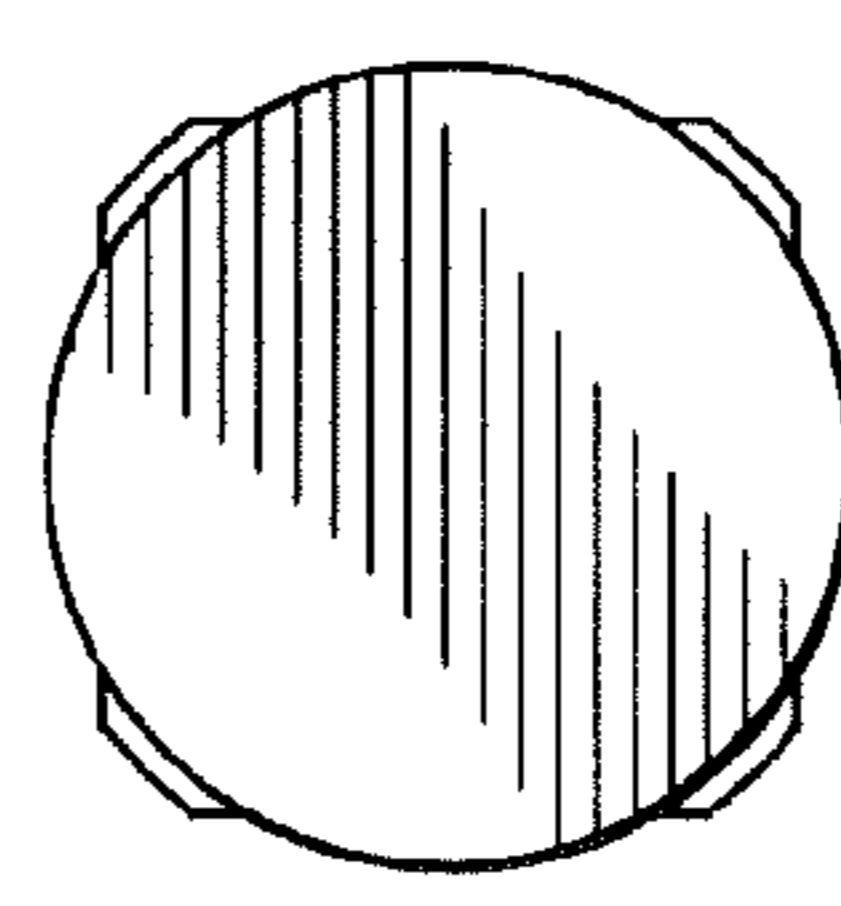


Fig. 24