



US00D615853S

(12) **United States Design Patent**
Sullivan

(10) **Patent No.:** **US D615,853 S**

(45) **Date of Patent:** **** May 18, 2010**

(54) **DECK SUPPORT FOR TORCH**

(76) Inventor: **Steven Sullivan**, 7373 Passapatanzy Dr.,
King George, VA (US) 22485

(**) Term: **14 Years**

(21) Appl. No.: **29/316,967**

(22) Filed: **Nov. 16, 2009**

(51) **LOC (9) Cl.** **08-05**

(52) **U.S. Cl.** **D8/380**

(58) **Field of Classification Search** D8/381,
D8/380, 373, 363, 356, 355, 354; D6/572,
D6/324; D26/140; D25/68, 132, 119, 102;
D22/147; D14/452; 52/685, 684, 288.1;
269/296; 248/539, 538, 536, 250, 242, 235,
248/221.12

See application file for complete search history.

(56) **References Cited**

U.S. PATENT DOCUMENTS

236,383	A *	1/1881	Waldeck	264/112
499,857	A *	6/1893	Skinner	52/288.1
2,344,302	A *	3/1944	Harza	405/16
4,286,724	A *	9/1981	Andersson	220/502
4,509,377	A *	4/1985	Mentzell et al.	73/862.56
D311,129	S	10/1990	Barnhill, III		
D336,482	S *	6/1993	Graham	D15/141
D341,313	S *	11/1993	Baron	D8/380
D357,623	S *	4/1995	Davis	D8/354
5,685,224	A *	11/1997	Dean et al.	101/328
D393,408	S *	4/1998	Mladineo	D8/354
5,954,308	A	9/1999	Lane et al.		
6,672,559	B1	1/2004	Boldia et al.		
6,702,245	B1	3/2004	Otterman		

6,708,703 B1 3/2004 Rivers et al.
2007/0034758 A1 2/2007 Bates
2007/0108364 A1 5/2007 Metheny

* cited by examiner

Primary Examiner—Susan Bennett Hattan

(57) **CLAIM**

The ornamental design for a deck support for torch, as shown and described.

DESCRIPTION

FIG. 1 is a perspective view of a deck support for torch as seen from the top right side, the left side being a mirror image; the upper element of the torch holder (in use in register with the lower element of the torch holder) is seen at the top of the figure and the lower element of the holder is seen at the bottom of the figure;

FIG. 2 is the right elevational view of the upper and lower elements of the torch holder;

FIG. 3 is a front elevational view of the upper and lower elements of the torch holder;

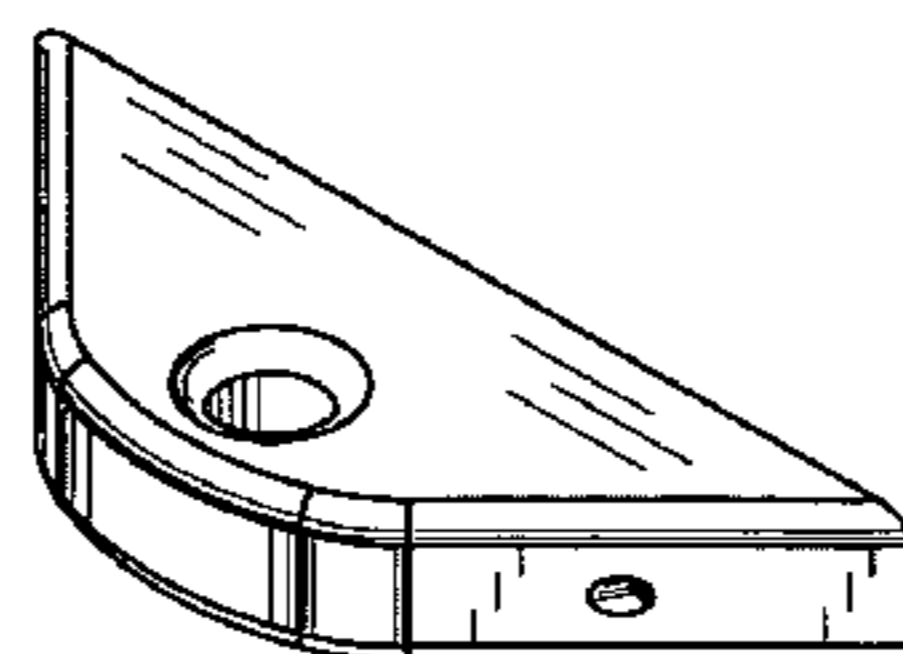
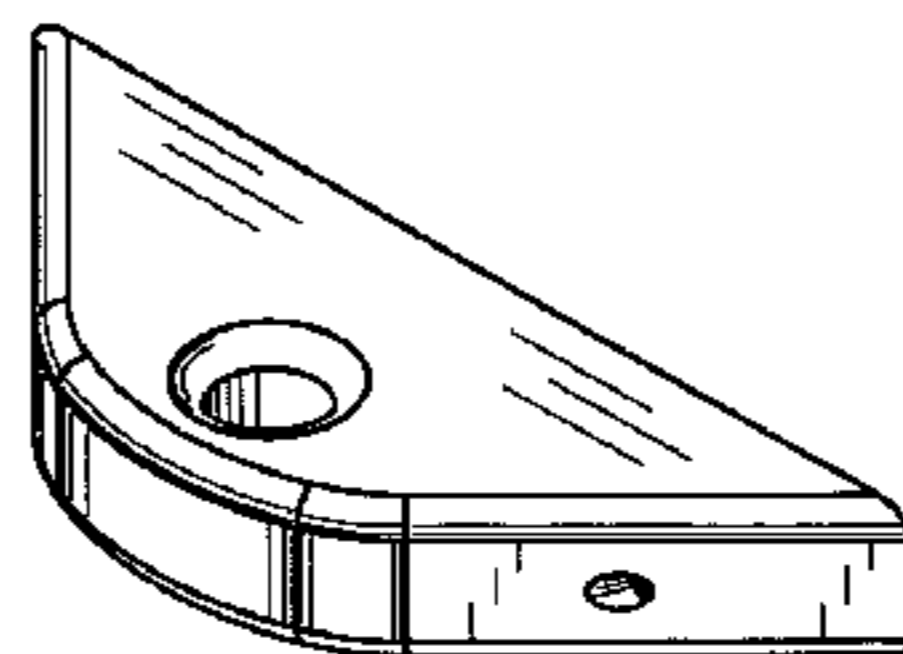
FIG. 4 is a rear elevational view of the upper and lower elements of the torch holder, including holes for attachment to a vertical surface;

FIG. 5 is a top plan view of the upper element of the torch holder, looking down; and,

FIG. 6 is a bottom plan view of the upper element of the torch holder viewed from the bottom looking up.

A support for a torch or other item is shown in the accompanying drawings. The support may be attached to a deck or other appropriate place where it is desired to support a torch.

1 Claim, 6 Drawing Sheets



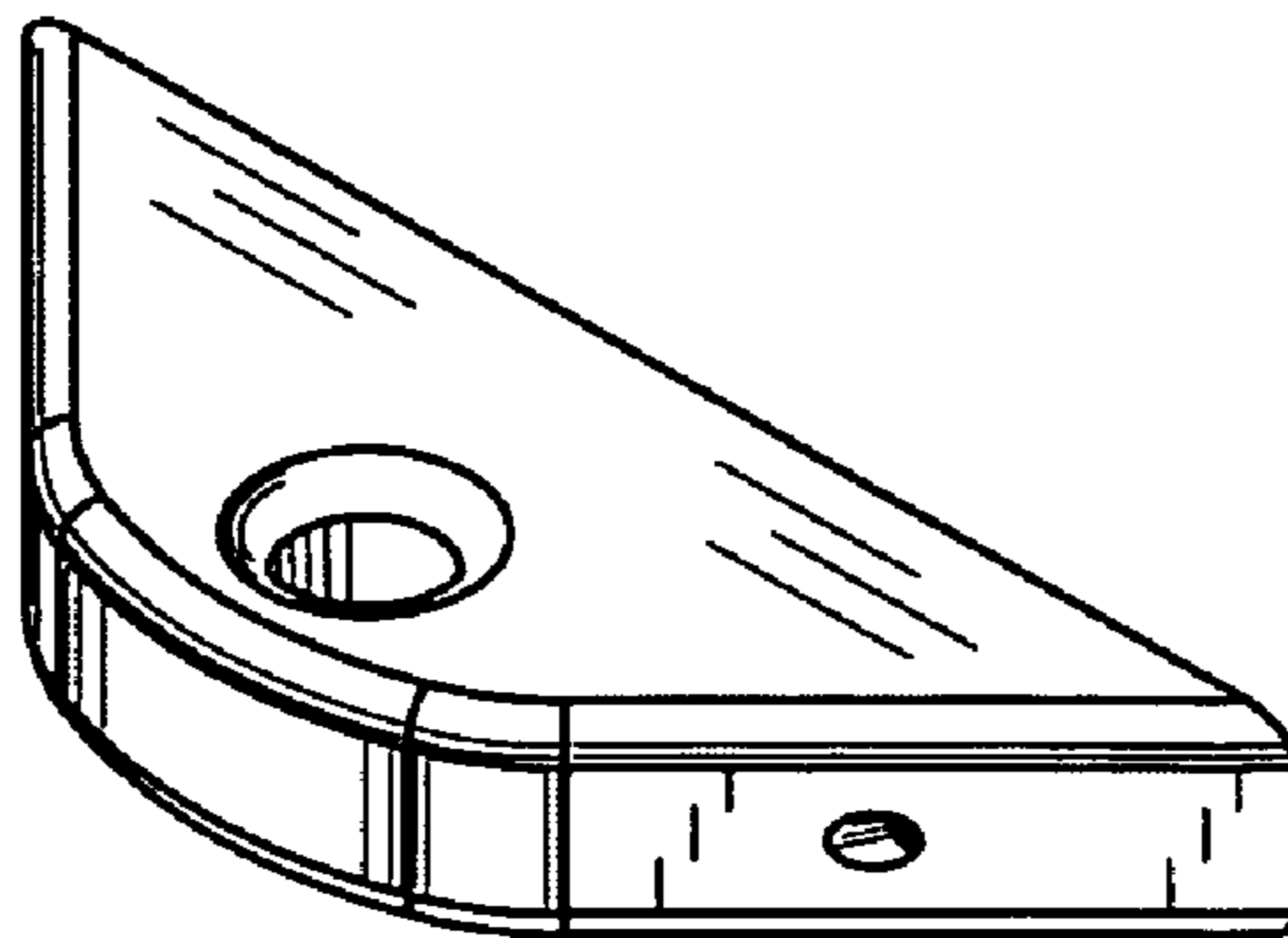
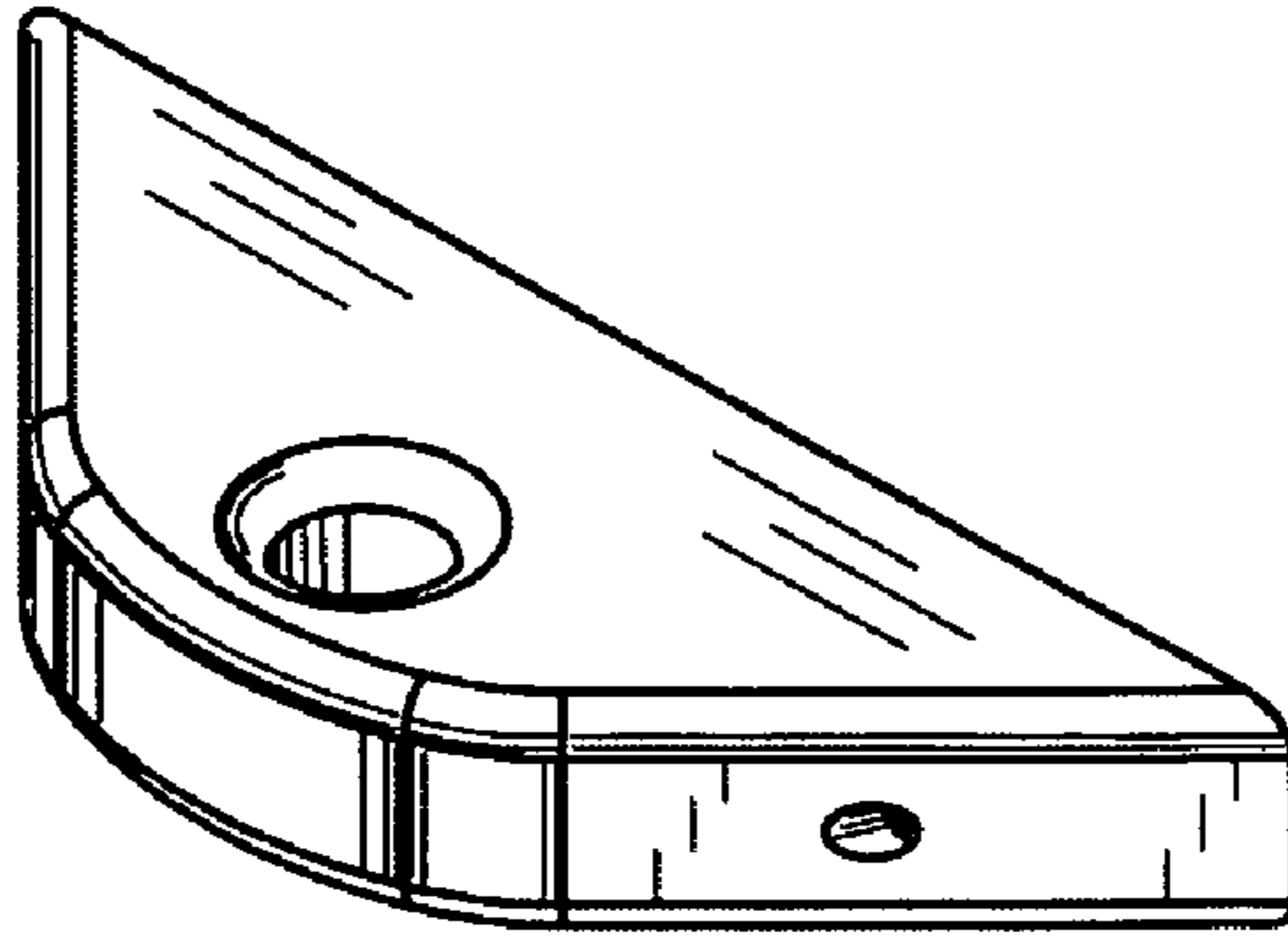


FIG. 1



FIG. 2

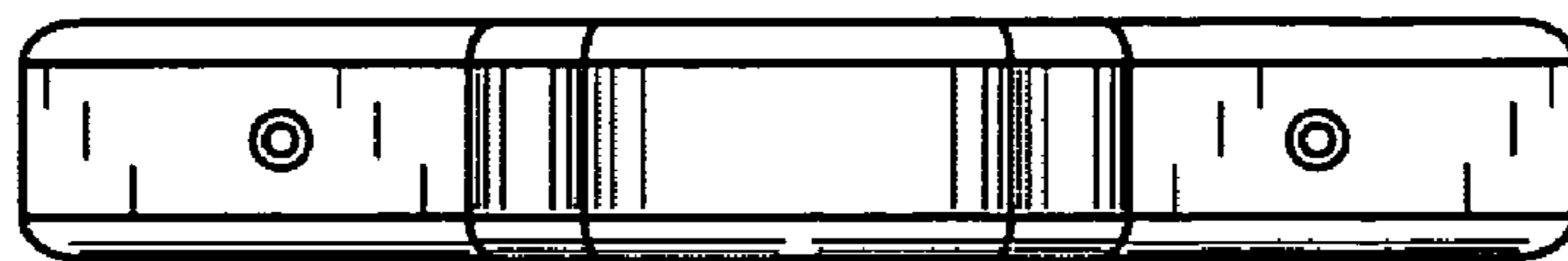
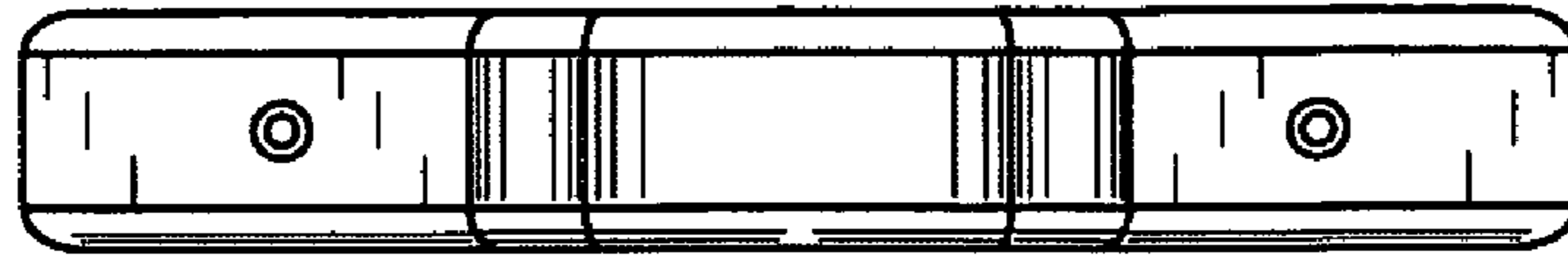


FIG. 3



FIG. 4

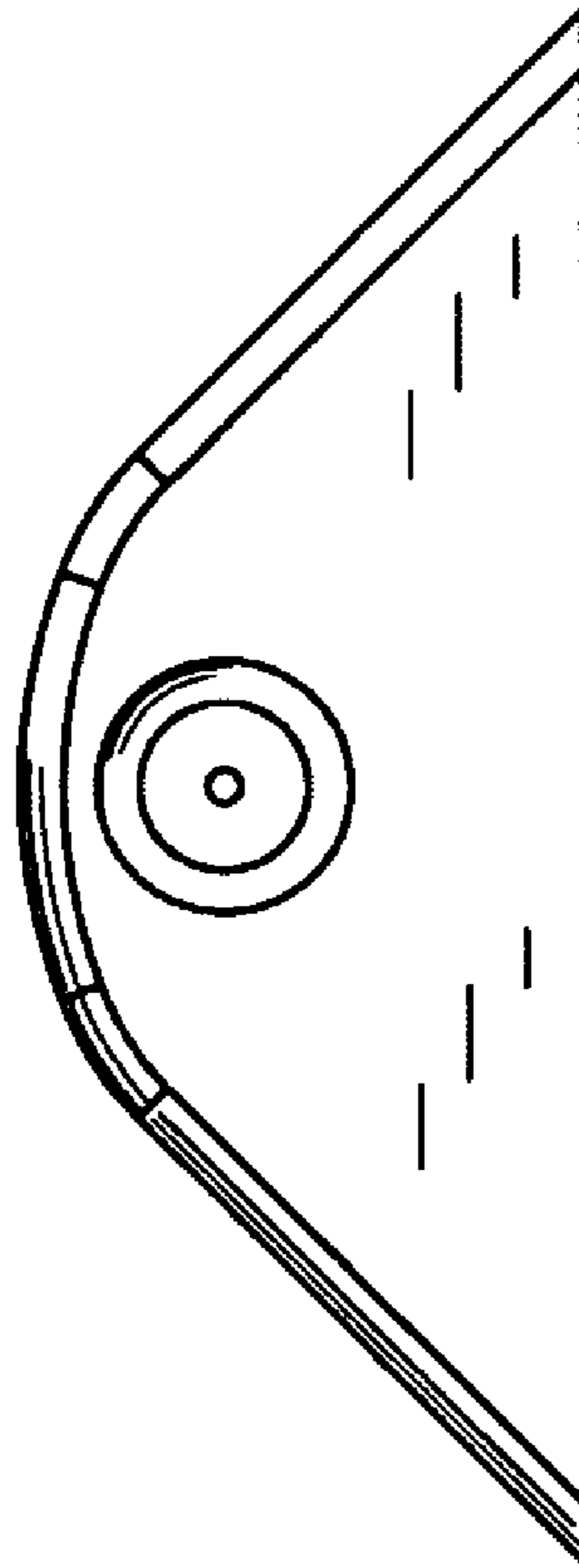


FIG. 5

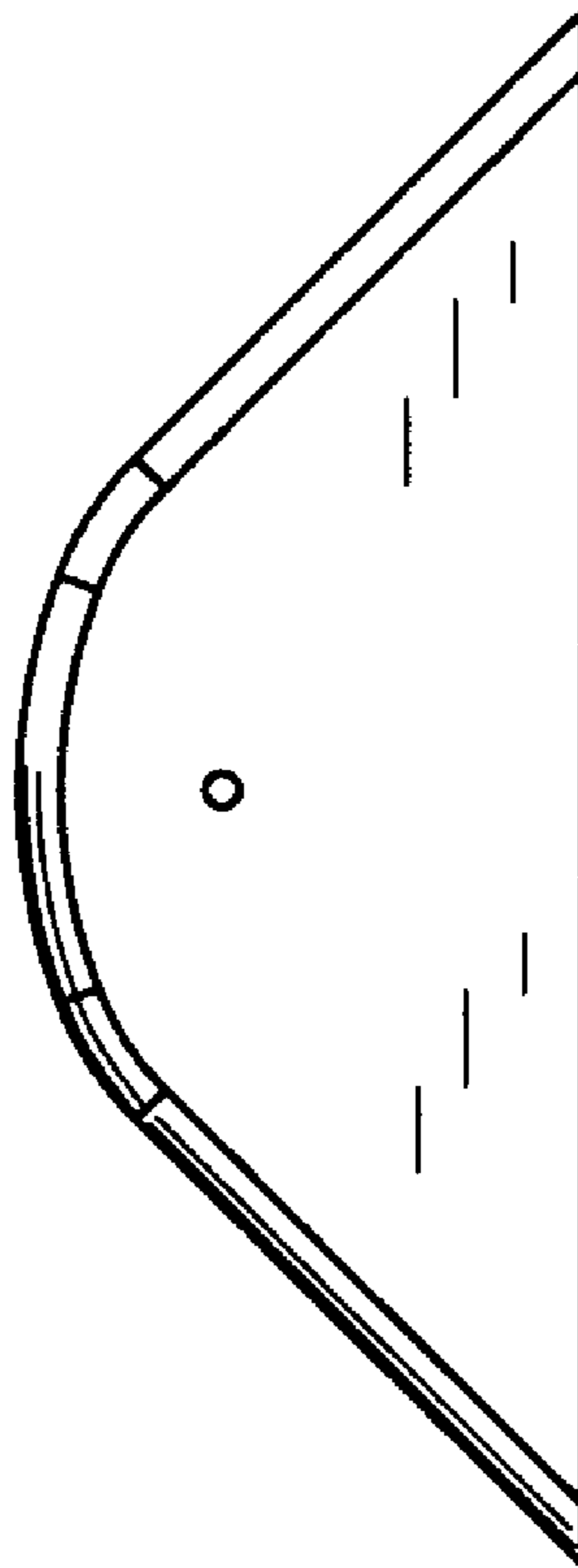


FIG. 6