



US00D615852S

(12) **United States Design Patent**  
**Sullivan**

(10) **Patent No.:** **US D615,852 S**

(45) **Date of Patent:** **\*\* May 18, 2010**

(54) **DECK SUPPORT FOR LIGHT**

(76) Inventor: **Steven Sullivan**, 7373 Passapatanzy Dr.,  
King George, VA (US) 22485

(\*\*) Term: **14 Years**

(21) Appl. No.: **29/316,966**

(22) Filed: **Nov. 16, 2009**

(51) **LOC (9) Cl.** ..... **08-05**

(52) **U.S. Cl.** ..... **D8/380**

(58) **Field of Classification Search** ..... D8/381,  
D8/380, 373, 363, 356, 355, 354; D6/572,  
D6/324; D26/140; D25/68, 132, 119, 102;  
D22/147; D14/452; 52/685, 684, 288.1;  
269/296; 248/539, 538, 536, 250, 242, 235,  
248/221.12

See application file for complete search history.

(56) **References Cited**

**U.S. PATENT DOCUMENTS**

D234,072 S *	1/1975	Shultz	.....	D8/354
D268,494 S *	4/1983	Cyrell	.....	D14/224
D311,129 S	10/1990	Barnhill, III		
D336,482 S *	6/1993	Graham	.....	D15/141
D350,311 S *	9/1994	Willis et al.	.....	D11/182
5,954,308 A	9/1999	Lane et al.		
6,672,559 B1	1/2004	Boldia et al.		
6,702,245 B1	3/2004	Otterman		
6,708,703 B1	3/2004	Rivers et al.		
2007/0034758 A1	2/2007	Bates		

2007/0108364 A1 5/2007 Metheny

\* cited by examiner

*Primary Examiner*—Susan Bennett Hattan

(74) *Attorney, Agent, or Firm*—Eugene H. Eickholt

(57) **CLAIM**

The ornamental design for a deck support for light, as shown and described.

**DESCRIPTION**

FIG. 1 is a perspective view of the deck support for light as seen from the top right side, the left side being a mirror image;

FIG. 2 is the front elevational view of the deck support for light, including holes for attachment to a vertical supporting surface;

FIG. 3 is a right elevational view of the deck support for light;

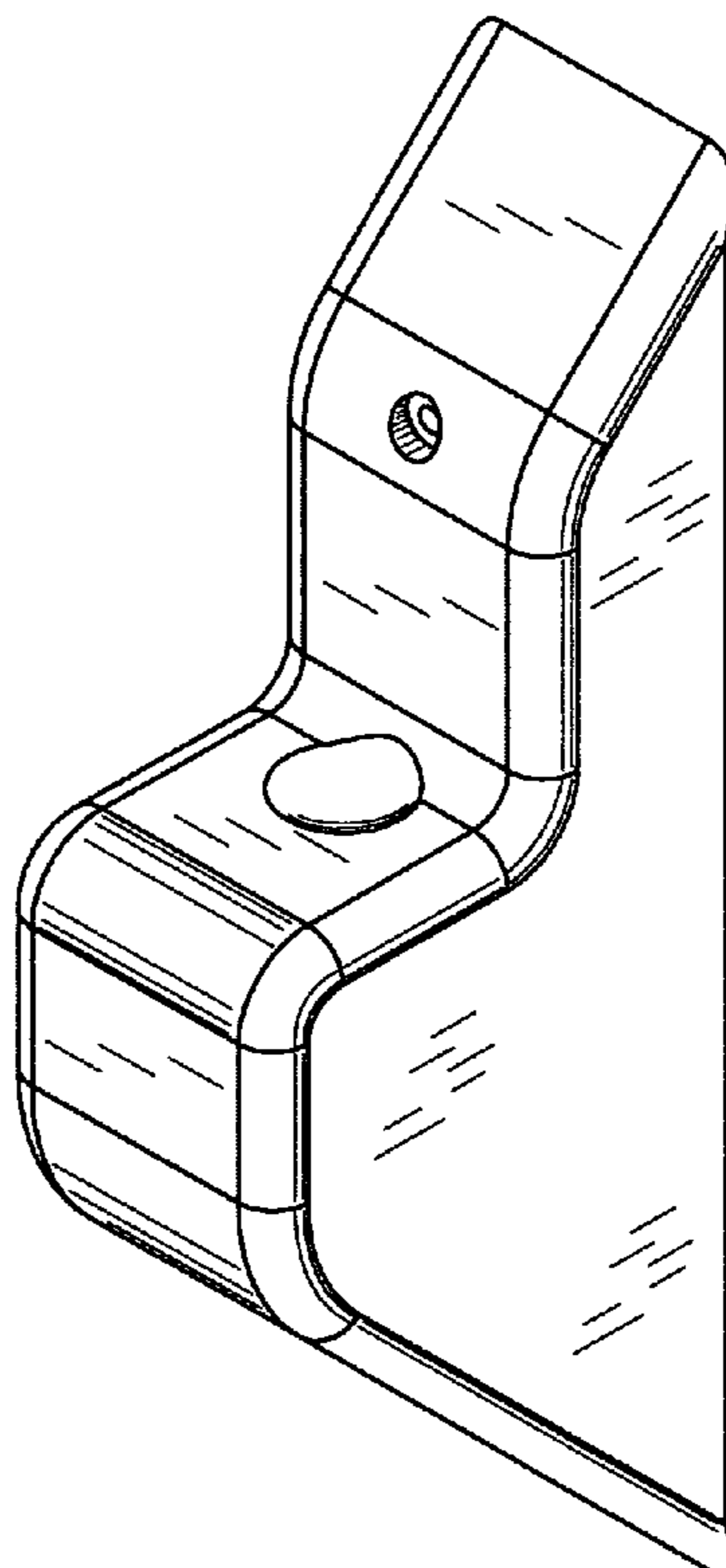
FIG. 4 is a rear elevational view of the deck support for light, including holes for attachment to a vertical supporting surface;

FIG. 5 is a top plan view of the deck support for light, looking down; and,

FIG. 6 is a bottom plan view of the deck support for light viewed from the bottom looking up.

A support for electric lights is shown in the accompanying drawings. The support may be attached to a deck or other appropriate place where it is desired to support illumination devices, or other items which can be similarly supported.

**1 Claim, 6 Drawing Sheets**



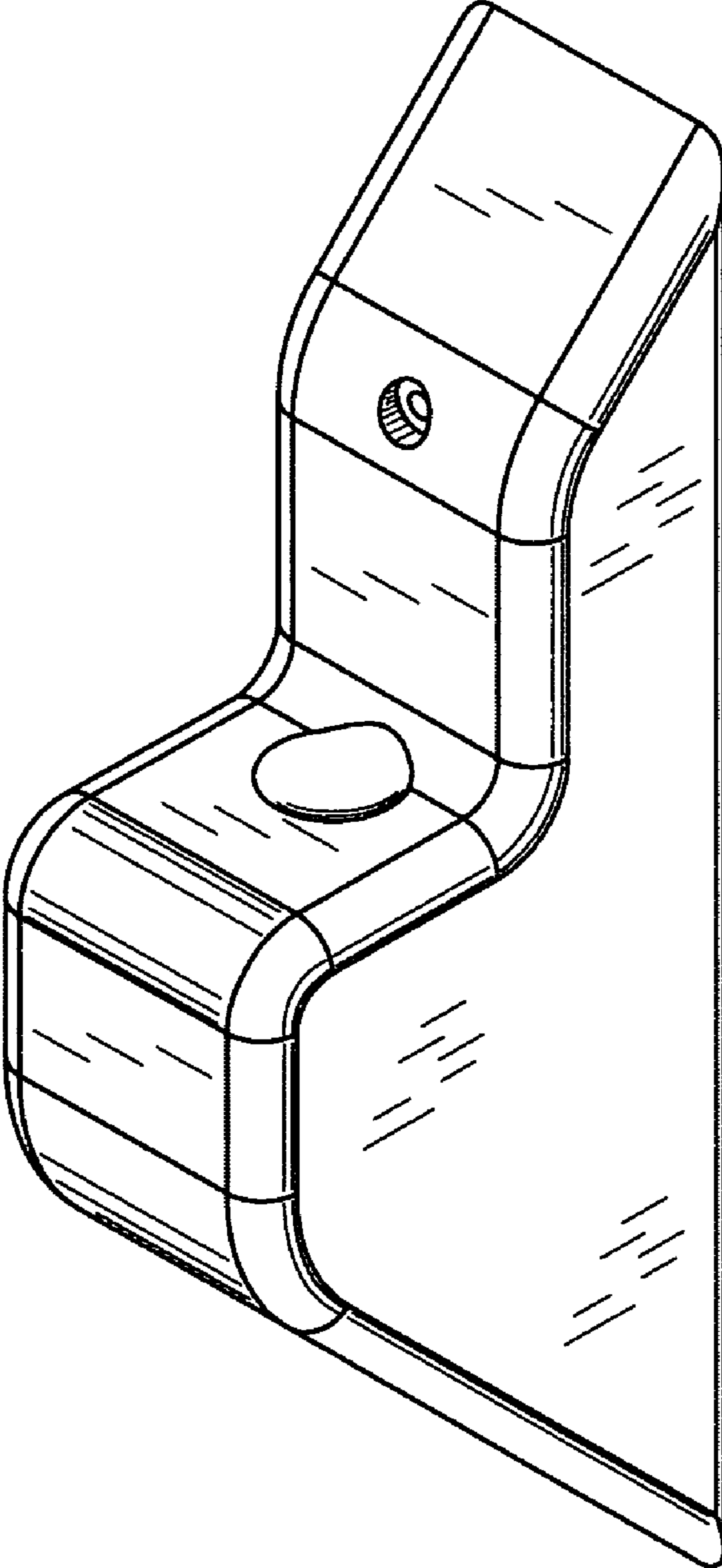


FIG. 1

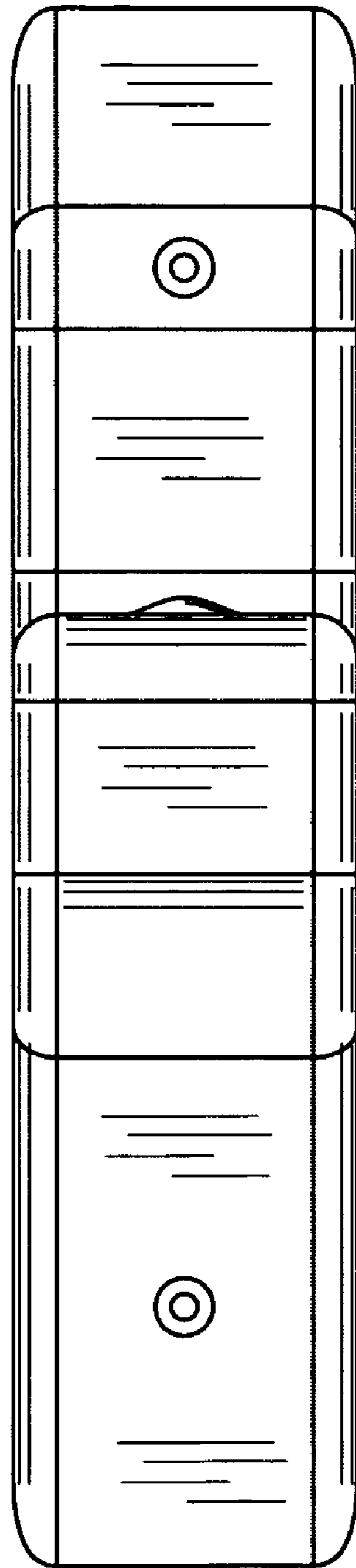


FIG. 2

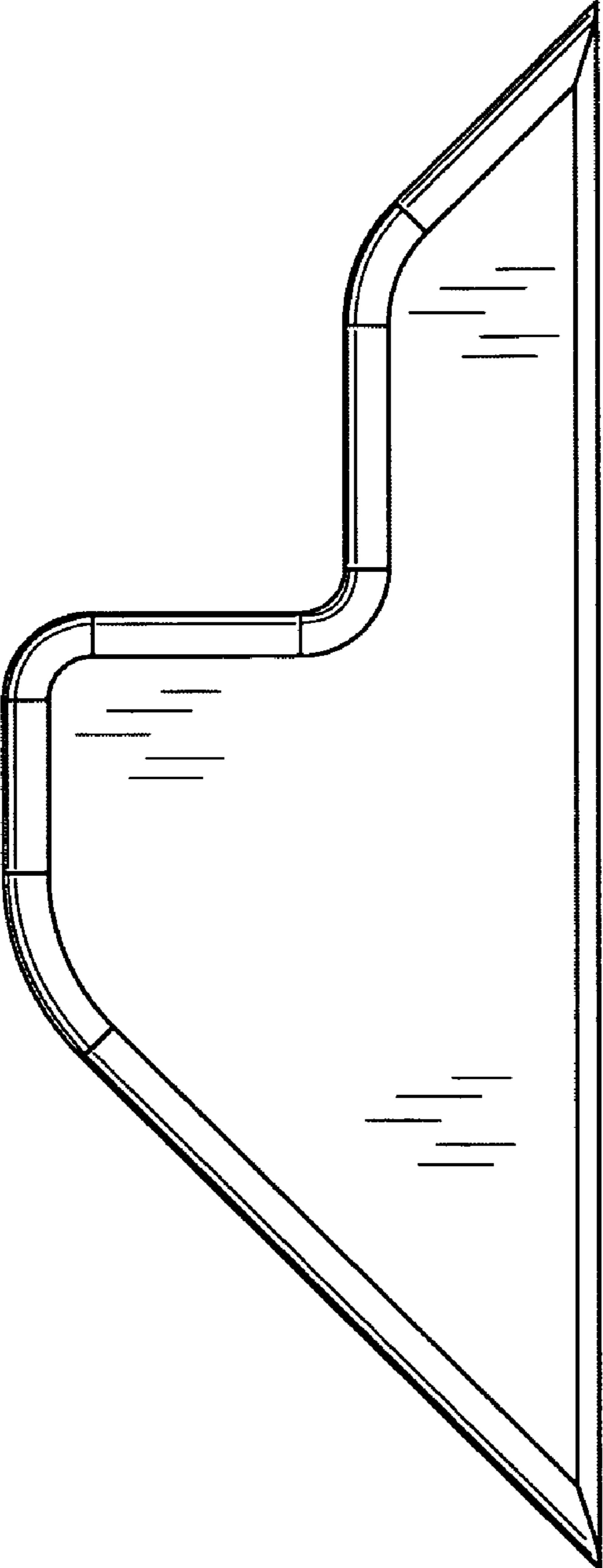


FIG. 3

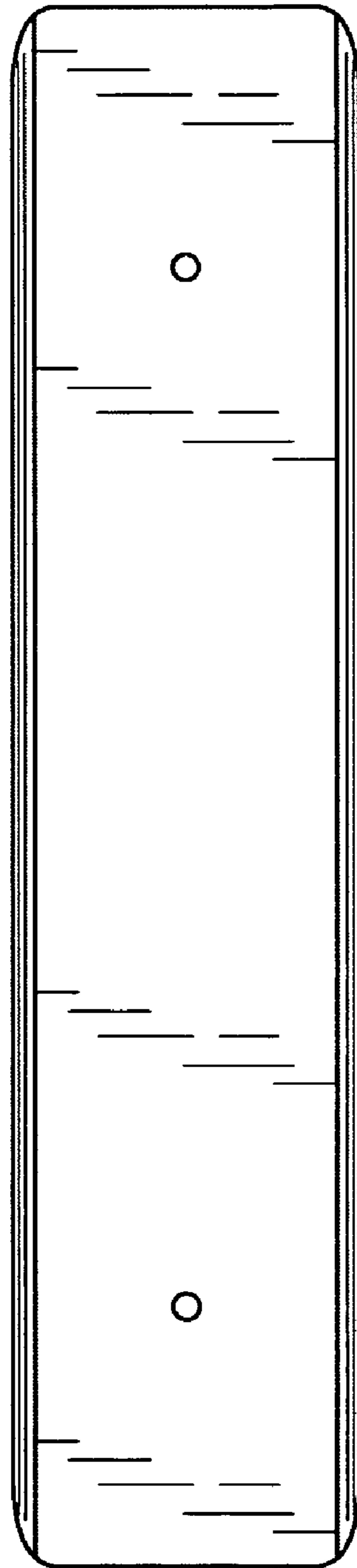


FIG. 4

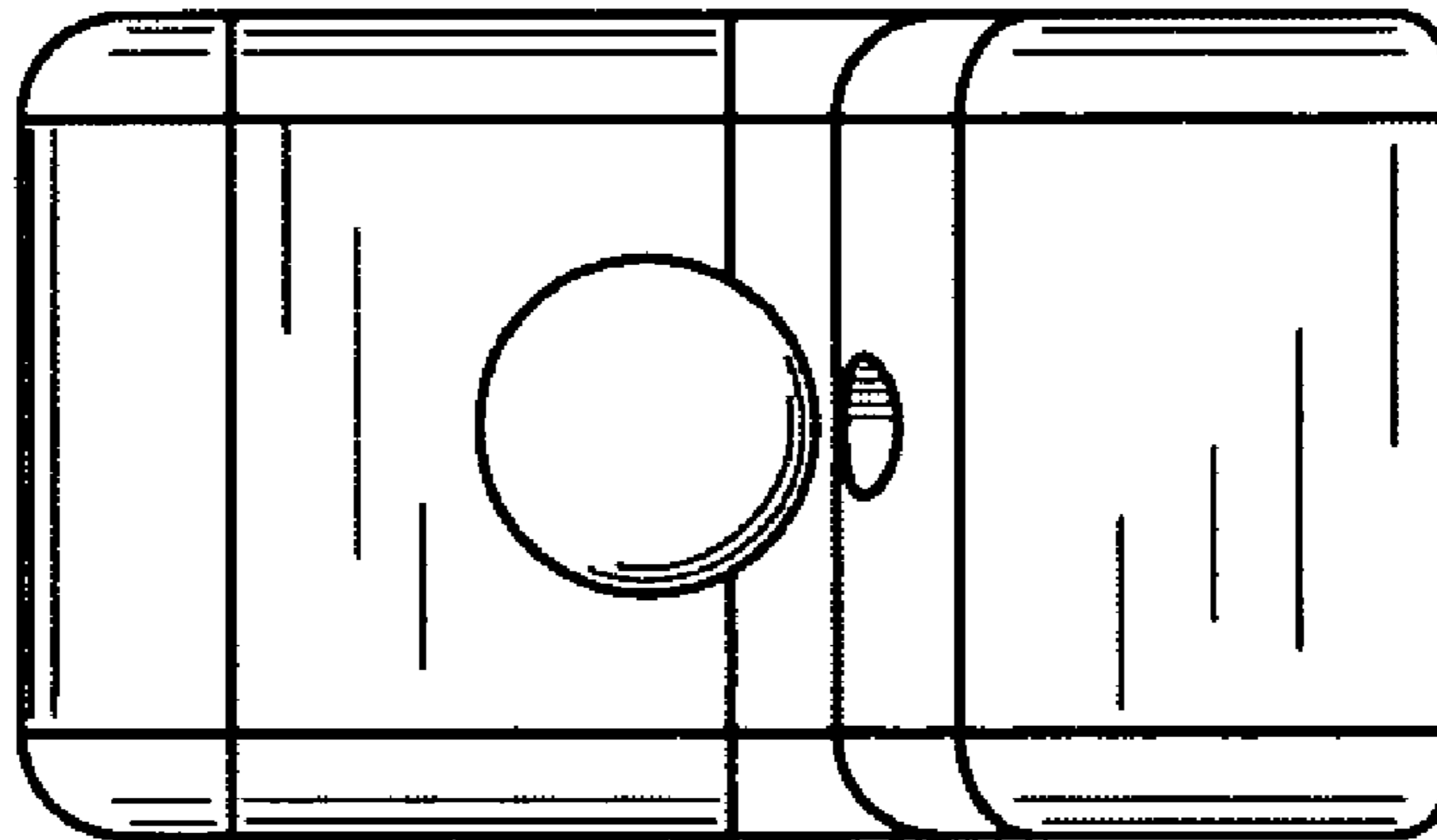


FIG. 5

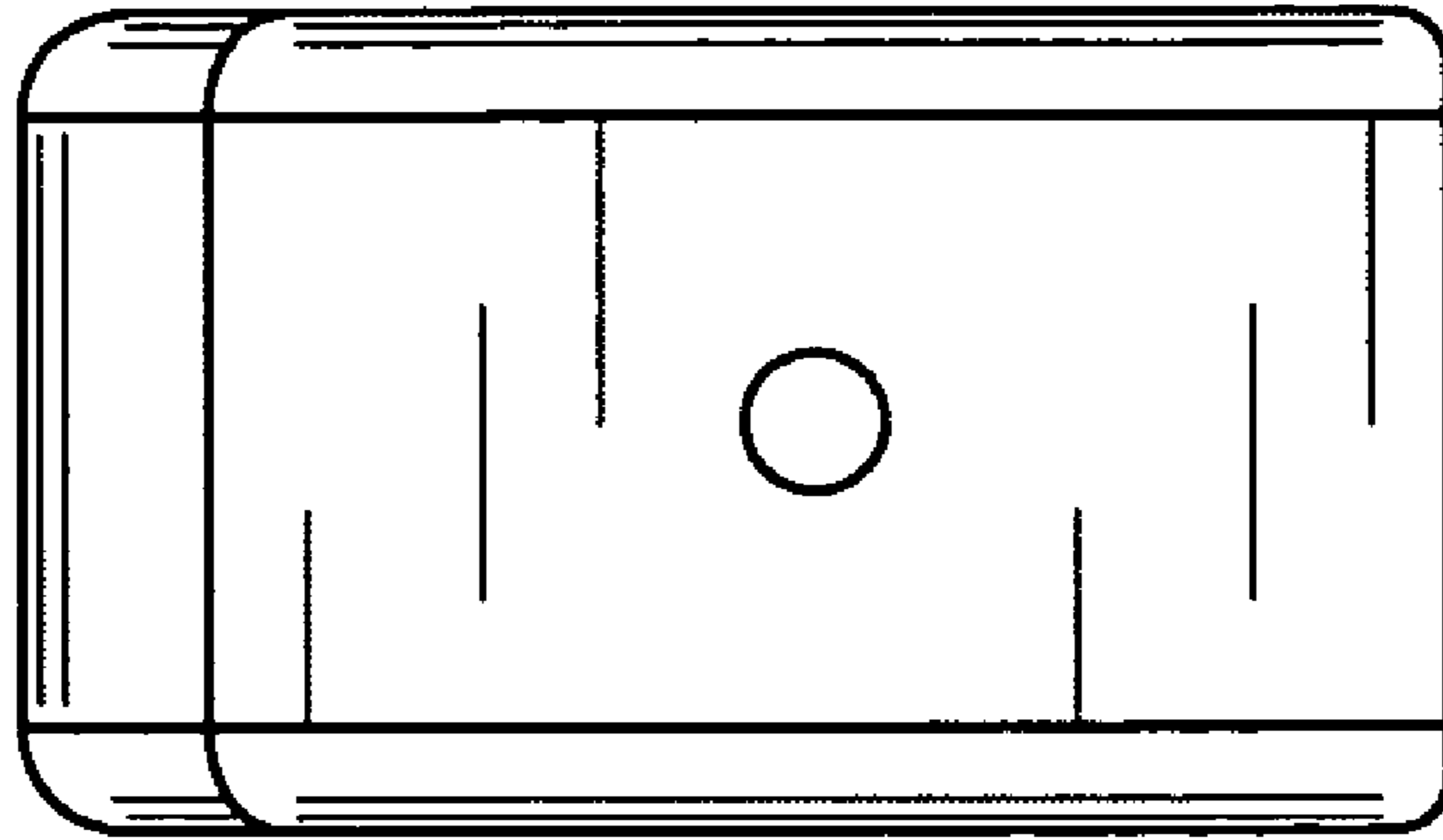


FIG. 6