



US00D615851S

(12) **United States Design Patent**  
**Zimmerman**

(10) **Patent No.:** **US D615,851 S**  
(45) **Date of Patent:** **\*\* May 18, 2010**

(54) **VERTICAL UNISTRUT STRAP**

D380,144 S \* 6/1997 Lew ..... D8/380

(76) Inventor: **Randy J. Zimmerman**, 5713 Oasis  
Ridge St., North Las Vegas, NV (US)  
89031

\* cited by examiner

*Primary Examiner*—Holly H Baynham  
(74) *Attorney, Agent, or Firm*—Raymond M. Galasso;  
Galasso & Associates, L.P.

(\*\*) Term: **14 Years**

(21) Appl. No.: **29/312,416**

(57) **CLAIM**

(22) Filed: **Oct. 17, 2008**

The ornamental design for a vertical unistrut strap, as shown and described.

**Related U.S. Application Data**

**DESCRIPTION**

(63) Continuation-in-part of application No. 29/262,923,  
filed on Jul. 13, 2006.

FIG. 1 is a front perspective view of the vertical unistrut strap,  
the back view is omitted as it is a mirror image of the front  
perspective view;

(51) **LOC (9) Cl.** ..... **08-05**

FIG. 2 is a side view;

(52) **U.S. Cl.** ..... **D8/380**

(58) **Field of Classification Search** ..... D8/380;  
248/58-59, 62

FIG. 3 is a front view thereof in use; and,

FIG. 4 is a front cross section view thereof in alternate use.

See application file for complete search history.

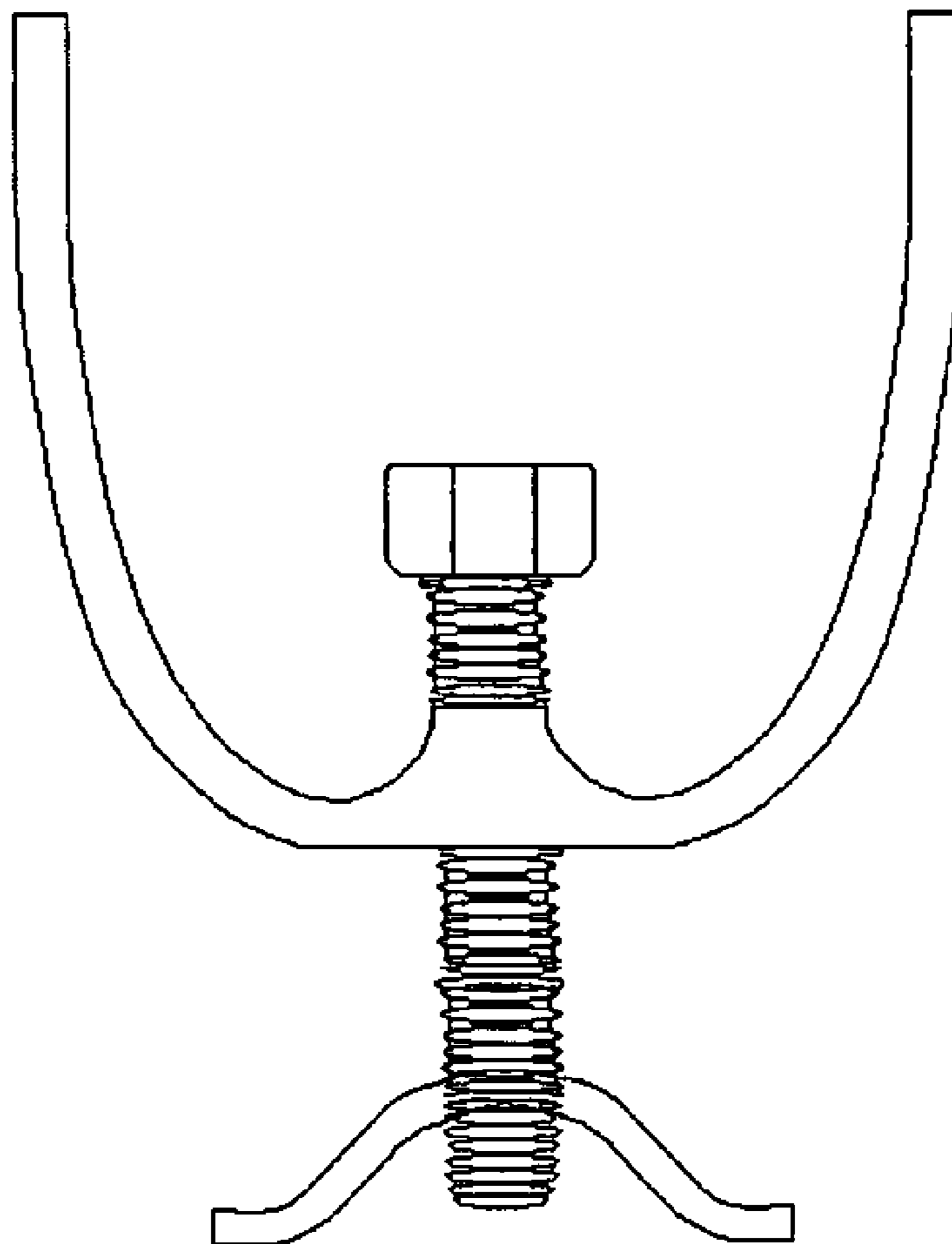
In the drawings, the broken lines depict environmental sub-  
ject matter only and form no part of the claimed design. The  
undisclosed portions (top and bottom view) of the article are  
not shown as they are unornamental.

(56) **References Cited**

**U.S. PATENT DOCUMENTS**

2,671,625 A \* 3/1954 Buckley ..... 248/58  
4,487,387 A \* 12/1984 Heath ..... 248/59

**1 Claim, 3 Drawing Sheets**



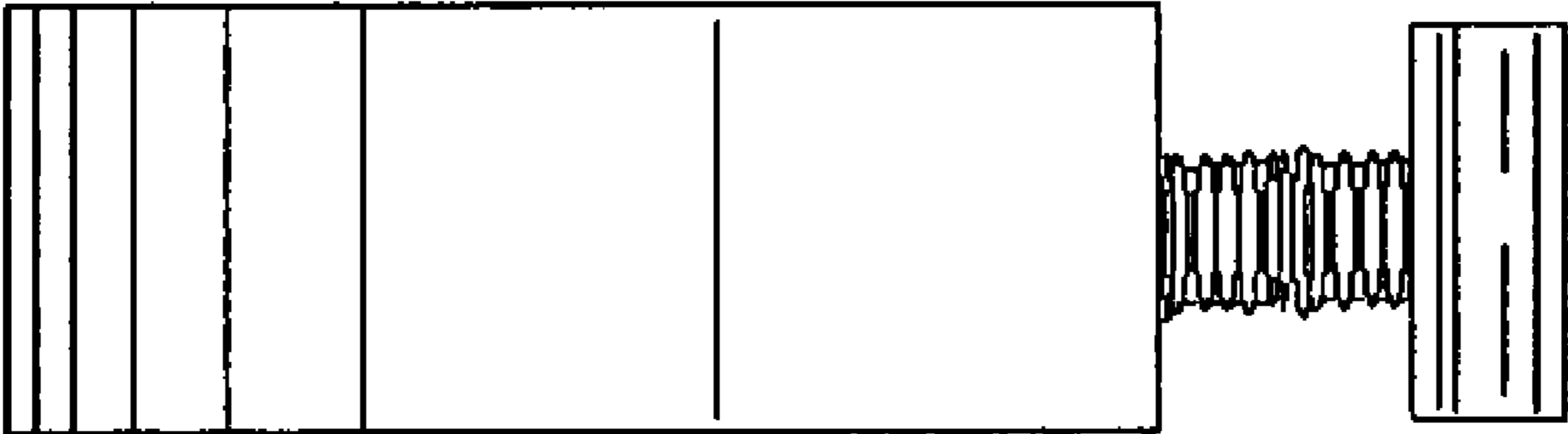


FIG. 2

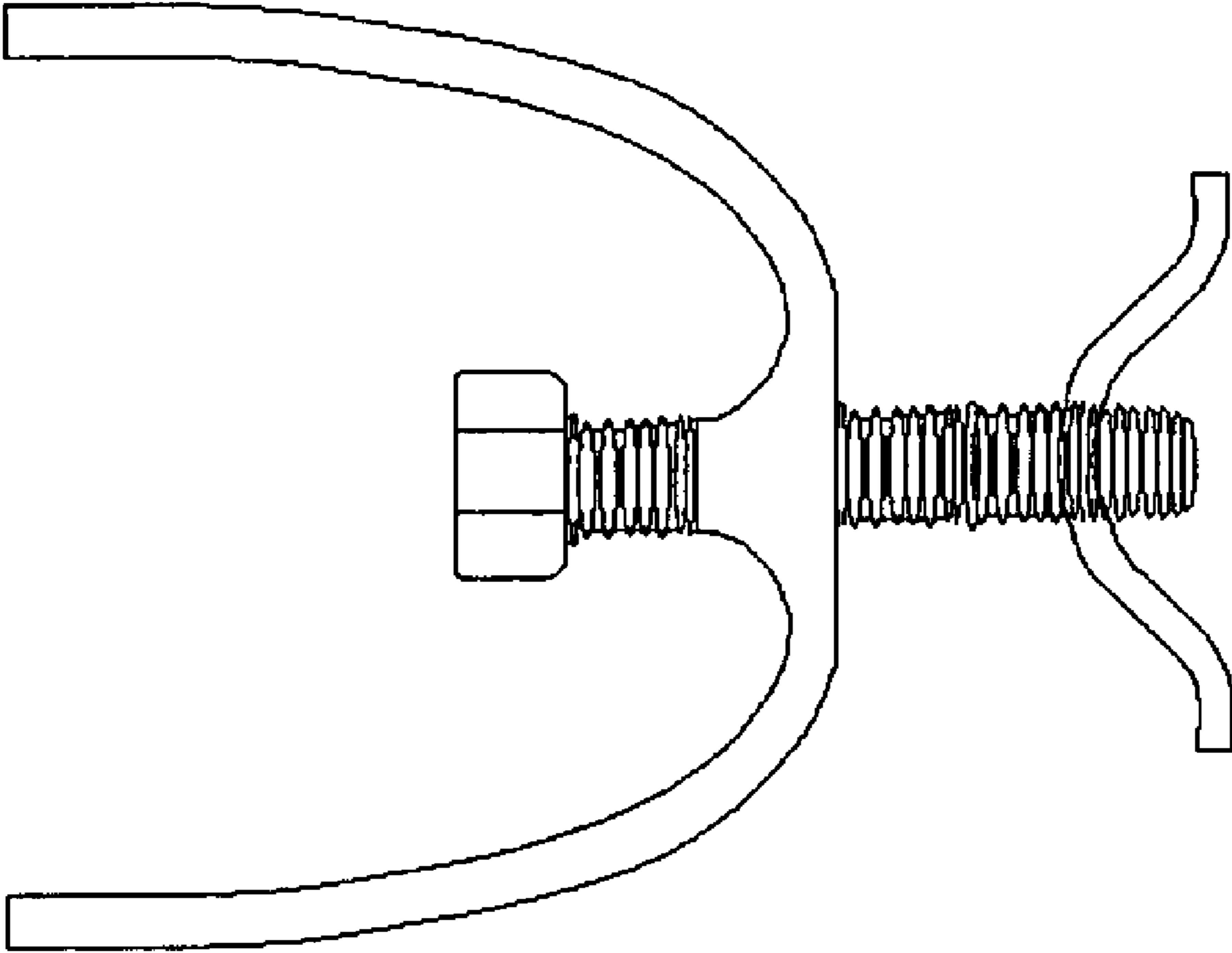


FIG. 1

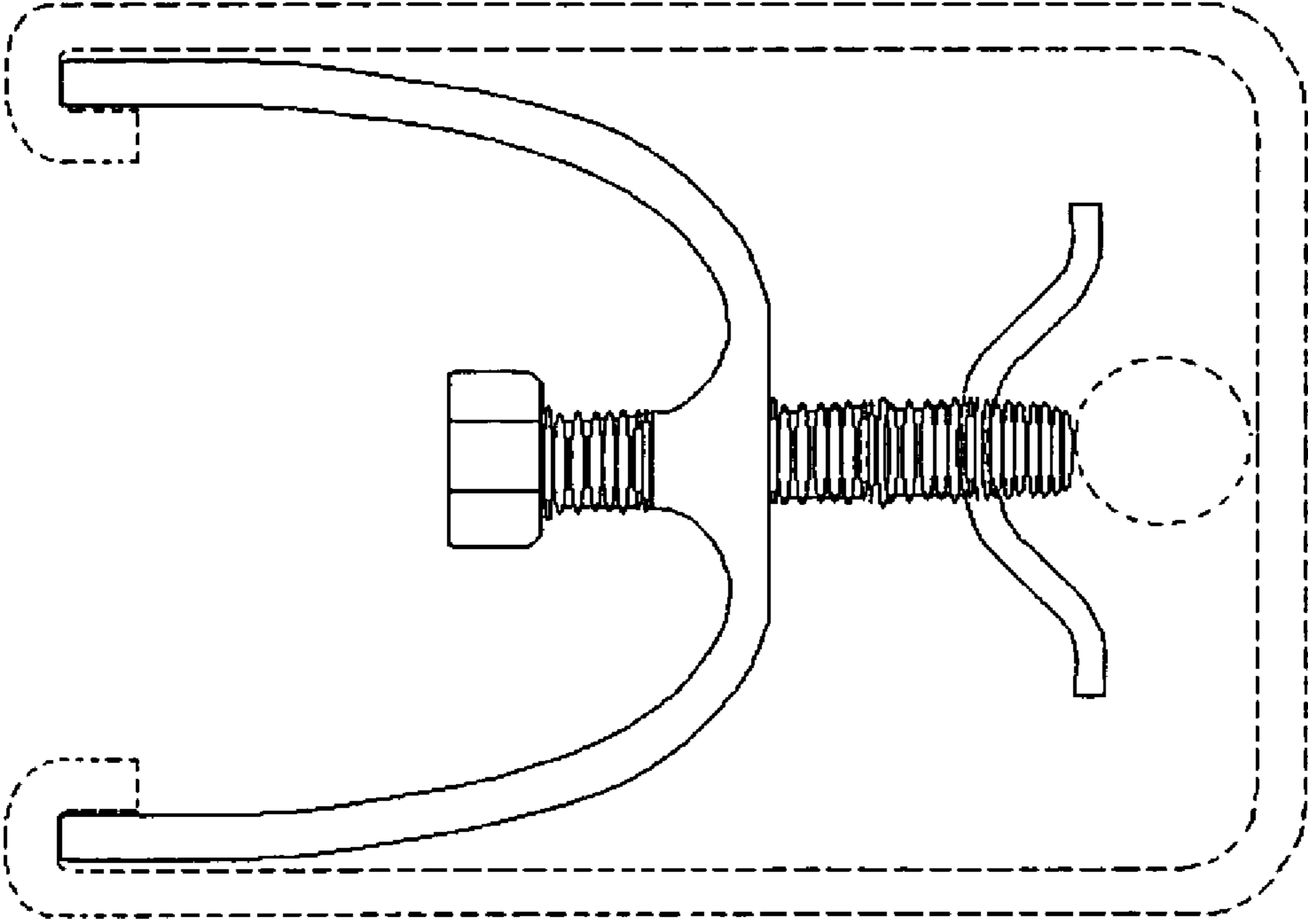


FIG. 3

FIG. 4

