



US00D615850S

(12) **United States Design Patent**
Chiang

(10) **Patent No.:** **US D615,850 S**

(45) **Date of Patent:** **** May 18, 2010**

(54) **RACK ASSEMBLY**

(76) Inventor: **Vance Chiang**, 5F.-2, No. 212, Sec. 1,
Wunsin Rd., Taichung City 408 (TW)

(**) Term: **14 Years**

(21) Appl. No.: **29/315,477**

(22) Filed: **Jun. 30, 2009**

(51) **LOC (9) Cl.** **08-05**

(52) **U.S. Cl.** **D8/373**

(58) **Field of Classification Search** D6/577,
D6/580, 581; D8/353, 373, 377, 380; D25/55,
D25/119, 121; 211/26; 248/475.1, 489,
248/495-498; 312/223.2; 361/34.01, 36.01,
361/686, 690-696

See application file for complete search history.

(56) **References Cited**

U.S. PATENT DOCUMENTS

D285,610 S *	9/1986	Slocomb, Jr.	D25/124
D492,424 S *	6/2004	Barnett	D25/119
D557,828 S *	12/2007	Willman	D25/124
D563,210 S *	3/2008	Rodder	D8/373
D590,960 S *	4/2009	Franson	D25/124

D593,100 S * 5/2009 Alfonso et al. D14/444
D596,020 S * 7/2009 Lisowski

* cited by examiner

Primary Examiner—Sandra Snapp
Assistant Examiner—Patricia Palasik

(57) **CLAIM**

The ornamental design for a rack assembly, as shown and described.

DESCRIPTION

FIG. 1 is a perspective view of a rack assembly showing my new design;

FIG. 2 is a front elevational view thereof;

FIG. 3 is a rear elevational view thereof;

FIG. 4 is a left side elevational view thereof;

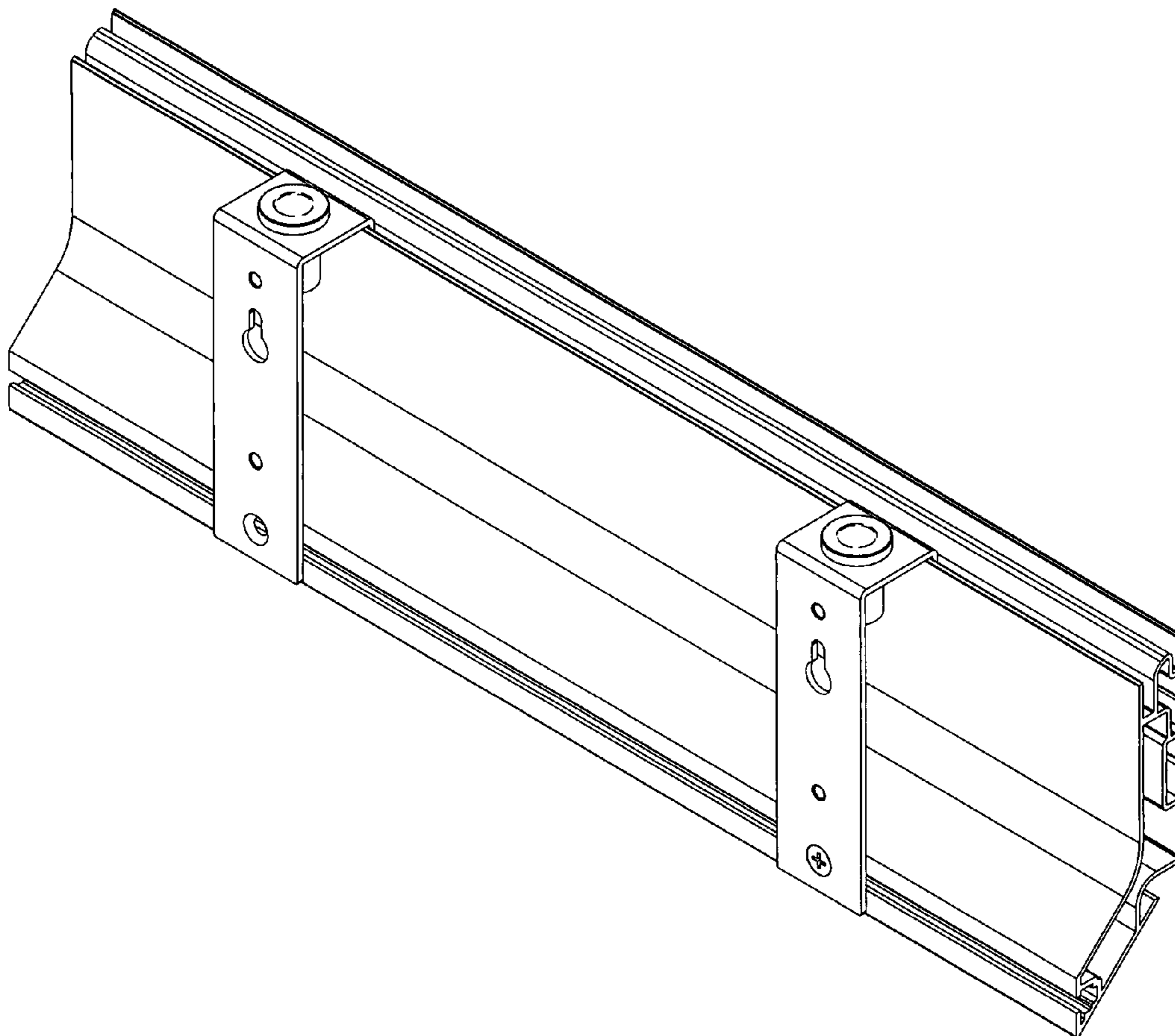
FIG. 5 is a right side elevational view thereof;

FIG. 6 is a top plan view thereof; and,

FIG. 7 is a bottom plan view thereof.

The broken lines in the drawings depict unclaimed environmental subject matter.

1 Claim, 6 Drawing Sheets



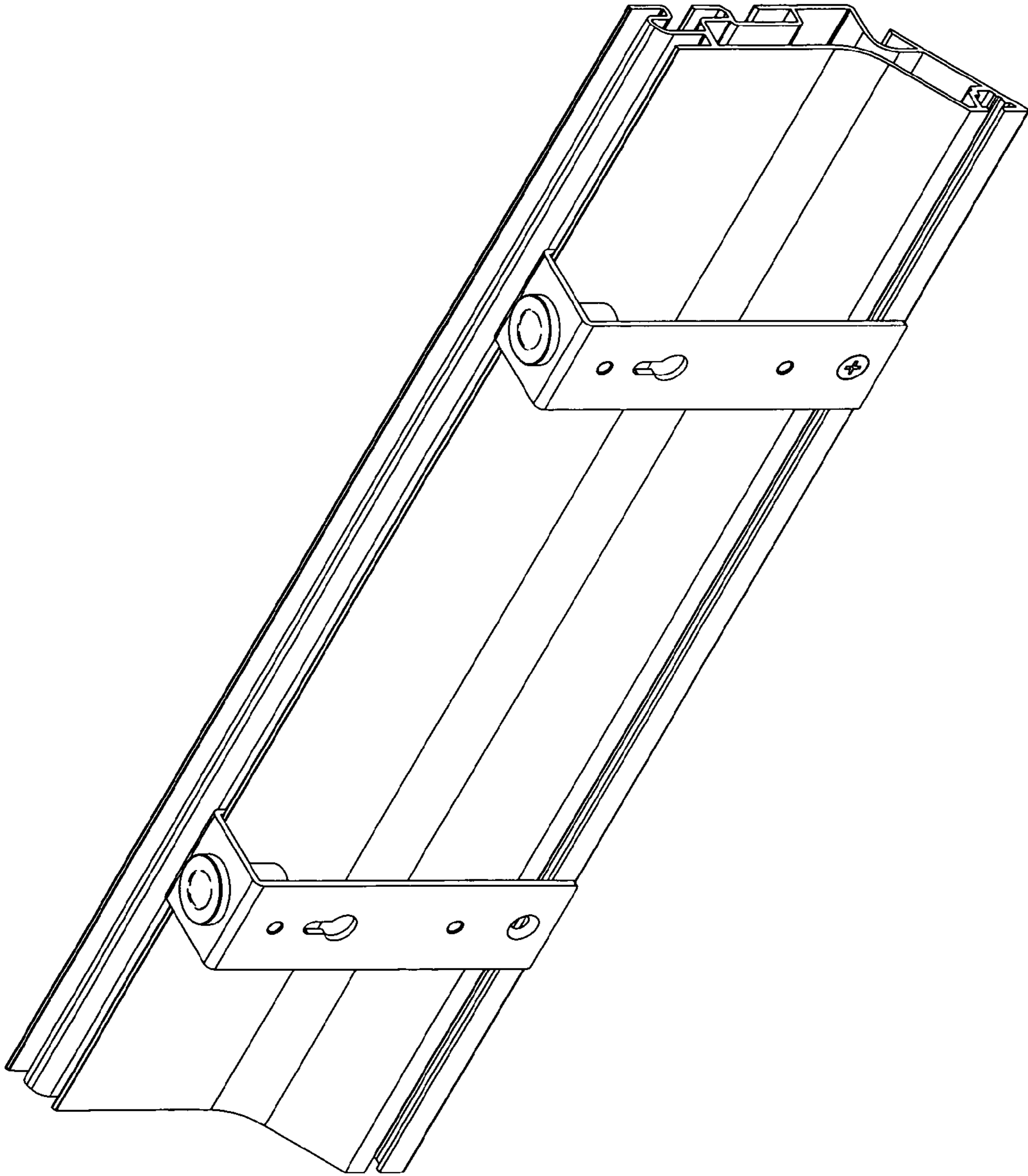


FIG. 1

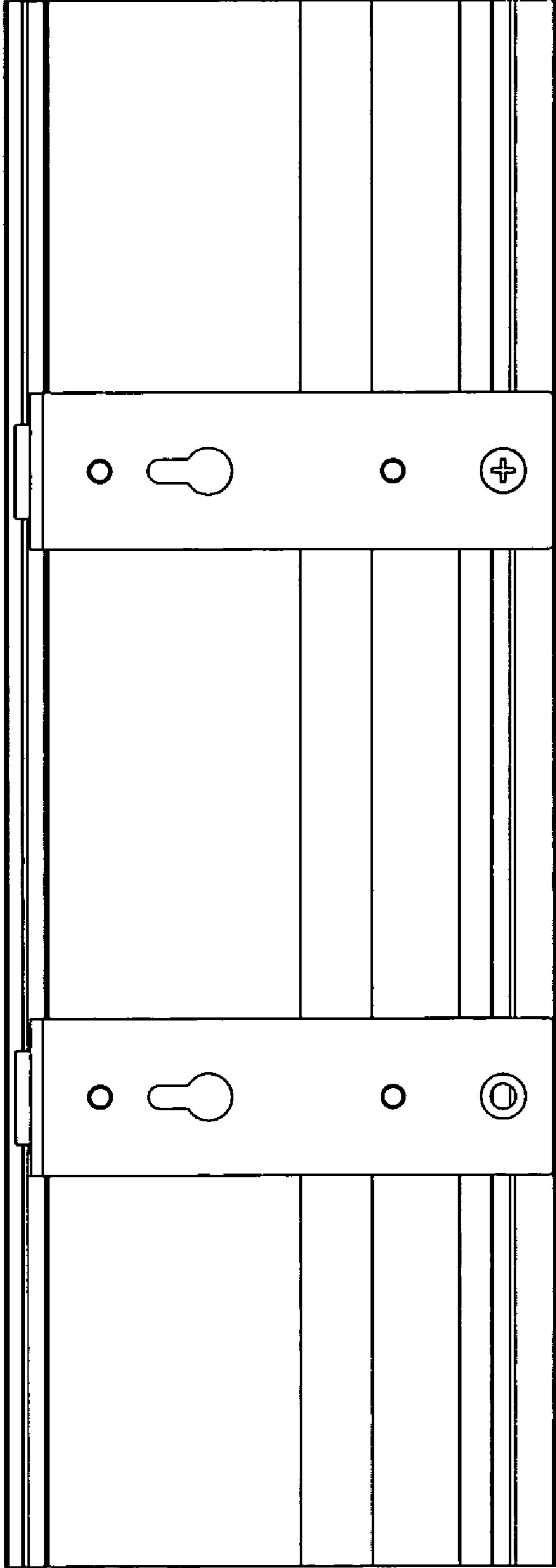


FIG. 2

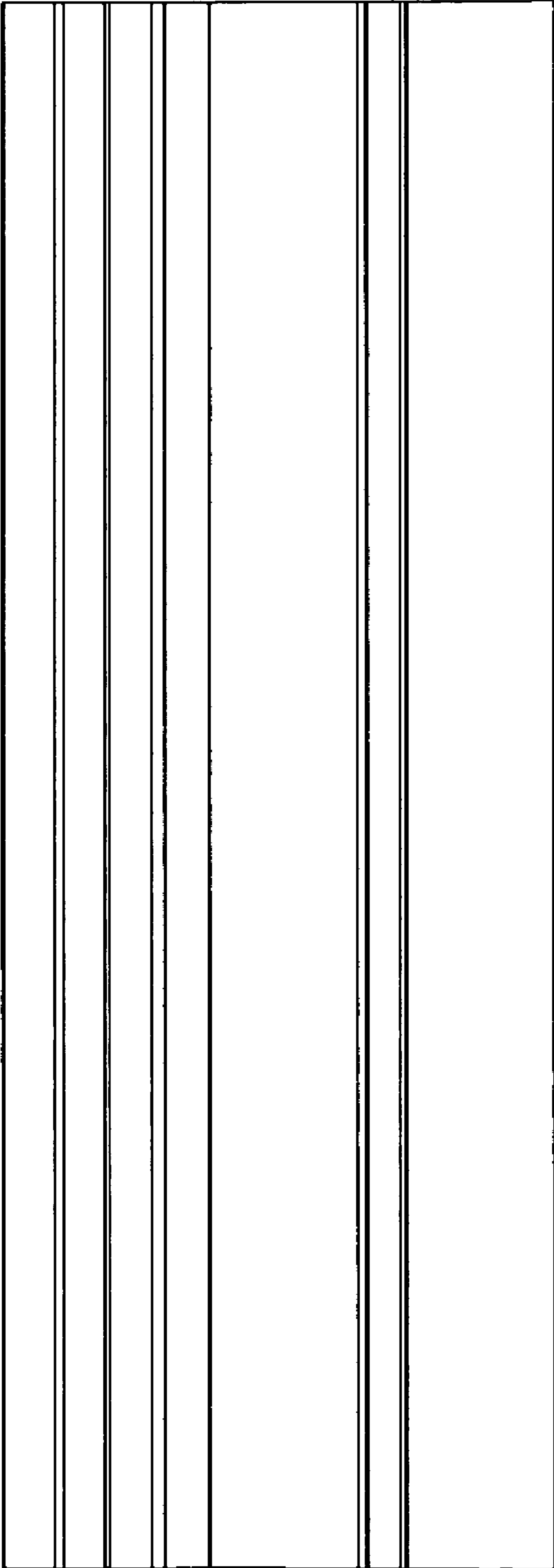


FIG. 3

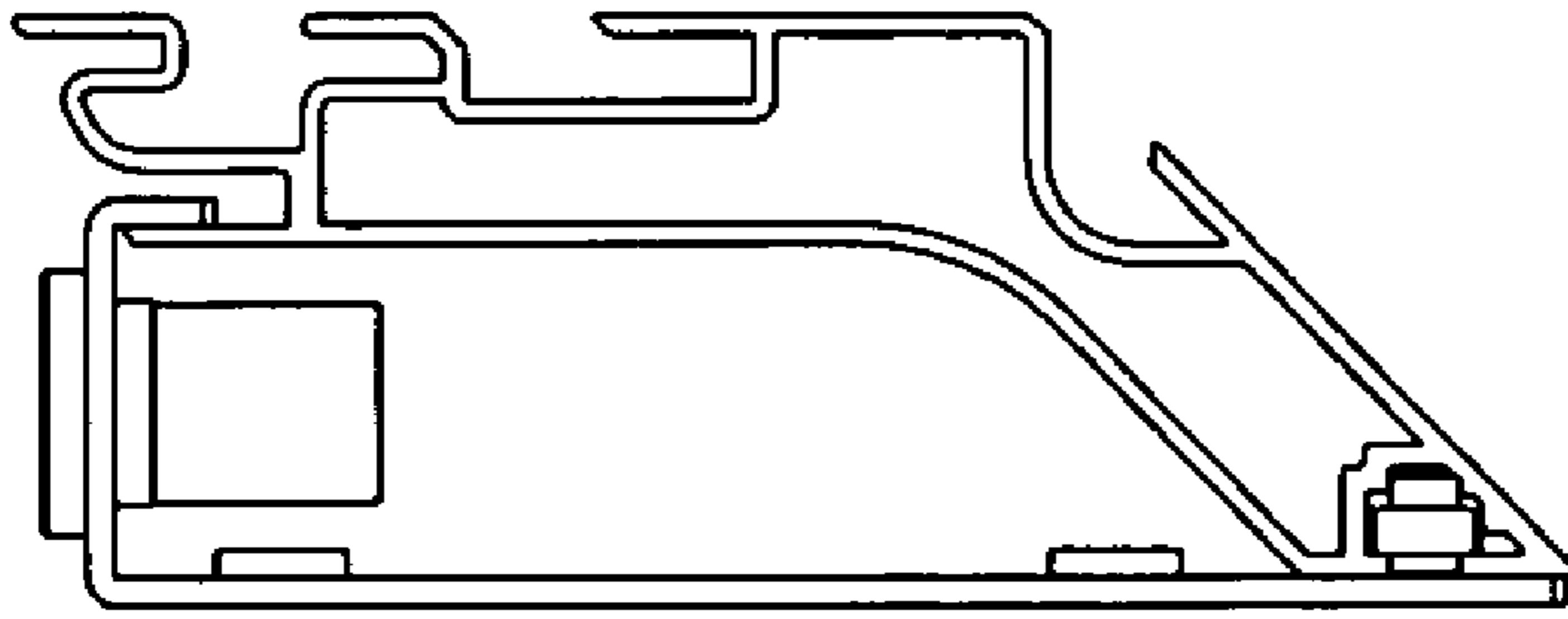


FIG. 5

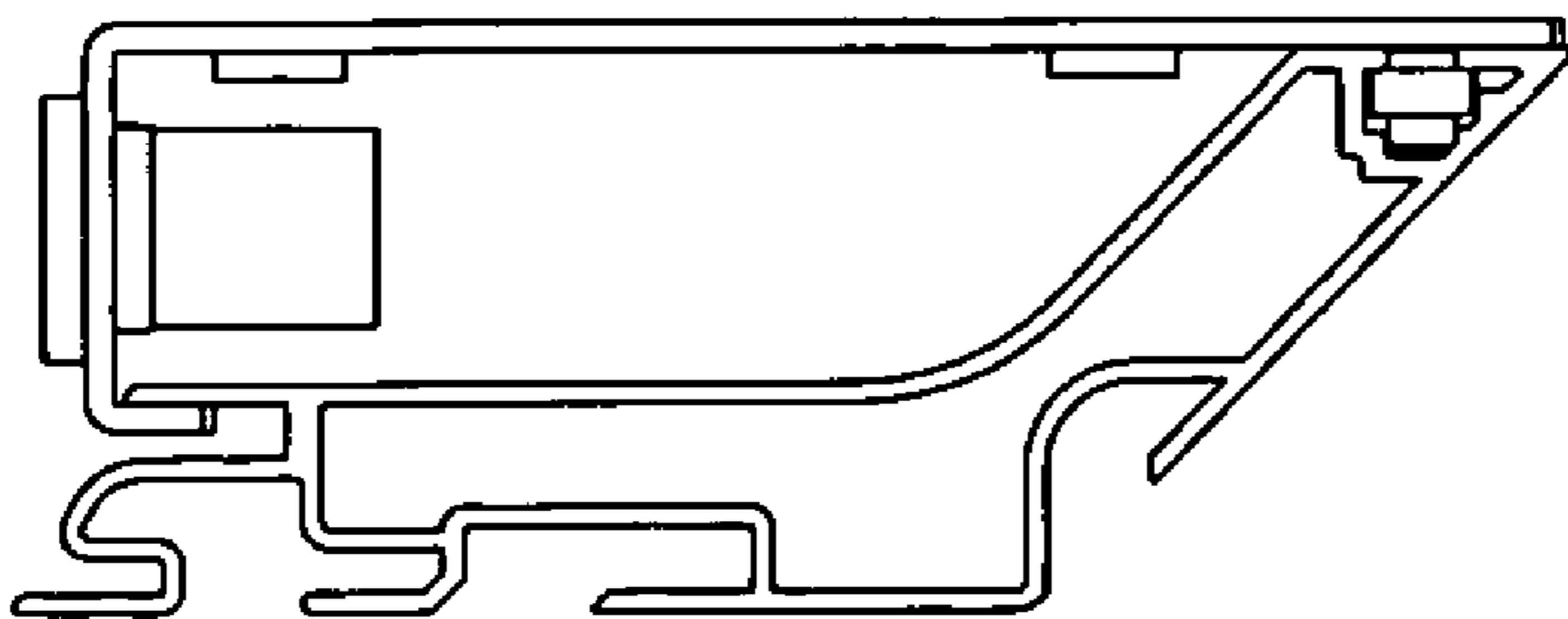


FIG. 4

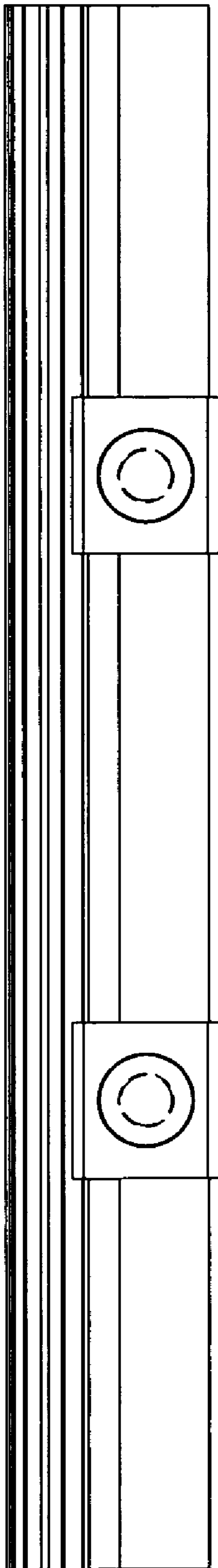


FIG. 6

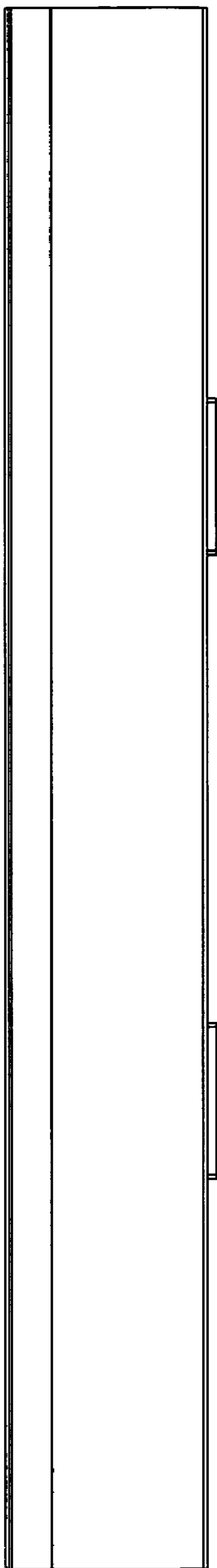


FIG. 7