



US00D615849S

(12) **United States Design Patent**
Williams

(10) **Patent No.:** **US D615,849 S**

(45) **Date of Patent:** **** May 18, 2010**

(54) **SOLID LOOP LIFTER FOR CONCRETE STRUCTURE**

(75) Inventor: **Craig B. Williams**, Concord, GA (US)

(73) Assignee: **American Step Company, Inc.**, Griffin, GA (US)

(**) Term: **14 Years**

(21) Appl. No.: **29/342,091**

(22) Filed: **Aug. 18, 2009**

(51) **LOC (9) Cl.** **08-05**

(52) **U.S. Cl.** **D8/370**

(58) **Field of Classification Search** D8/370,
D8/354; 248/302–303; 52/719, 712
See application file for complete search history.

(56) **References Cited**

U.S. PATENT DOCUMENTS

1,580,847	A *	4/1926	Moineau	248/302
3,578,226	A *	5/1971	Good	294/137
4,443,980	A	4/1984	Pennypacker		
D379,920	S *	6/1997	Bozzo	D8/368
D398,836	S *	9/1998	Kalat	D8/370
6,688,049	B2	2/2004	Sanfleben et al.		

OTHER PUBLICATIONS

American Step Company, Inc. Brochure entitled "Galvanized Wire Rope Loop Lifters Pulling/Lifting Irons" (2 pages).

* cited by examiner

Primary Examiner—Holly H Baynham

(74) *Attorney, Agent, or Firm*—Hovey Williams LLP

(57) **CLAIM**

The ornamental design for a solid loop lifter for concrete structures, as shown and described.

DESCRIPTION

FIG. 1 is a front isometric view of a solid loop lifter embodying my design in accordance with the present invention, the phantom lines indicating an environmental concrete structure forming no part of the ornamental design;

FIG. 2 is a front elevational view thereof;

FIG. 3 is a rear elevational view thereof;

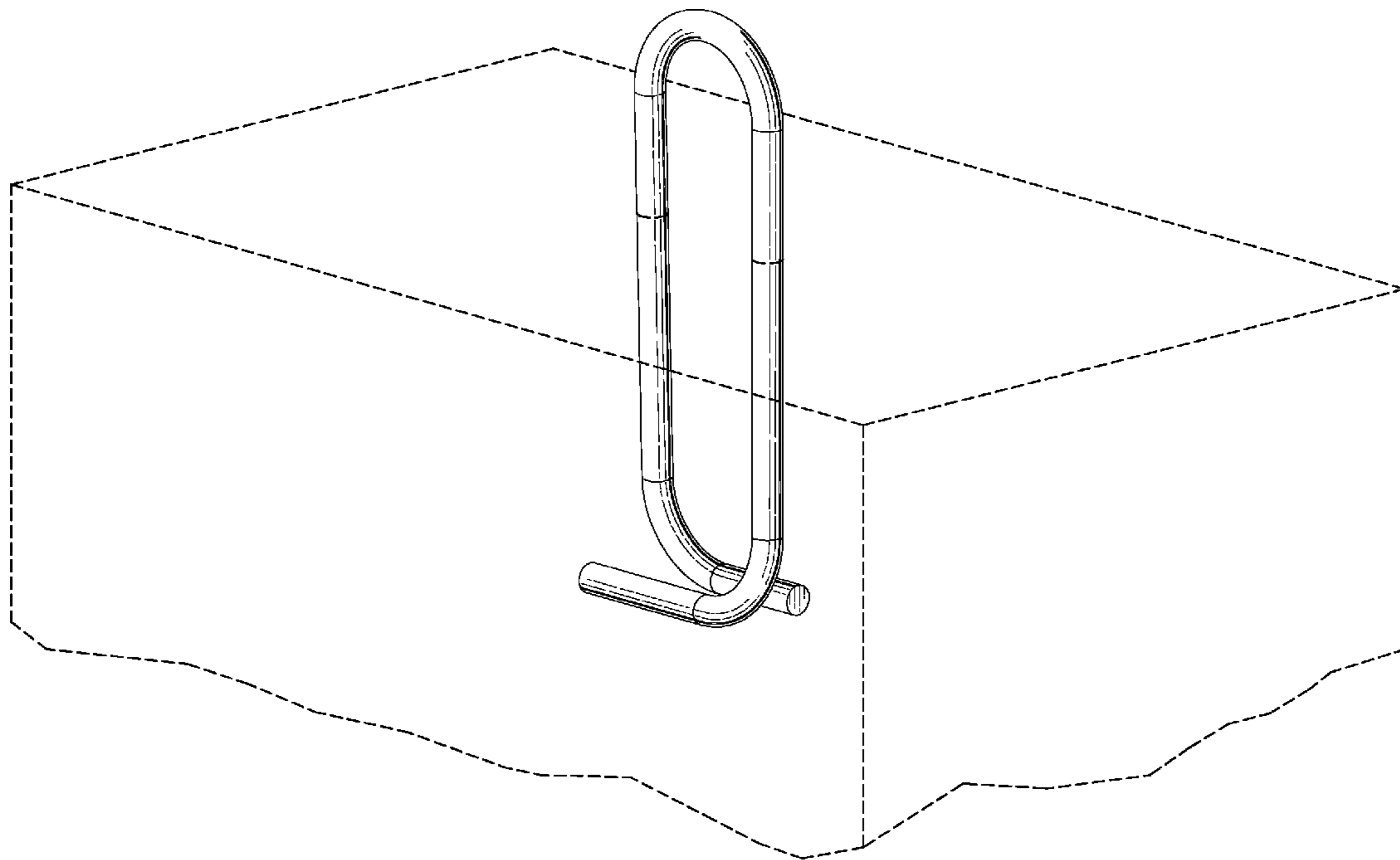
FIG. 4 is a left side elevational view thereof;

FIG. 5 is a right side elevational view thereof;

FIG. 6 is a top plan view thereof; and,

FIG. 7 is a bottom plan view thereof.

1 Claim, 3 Drawing Sheets



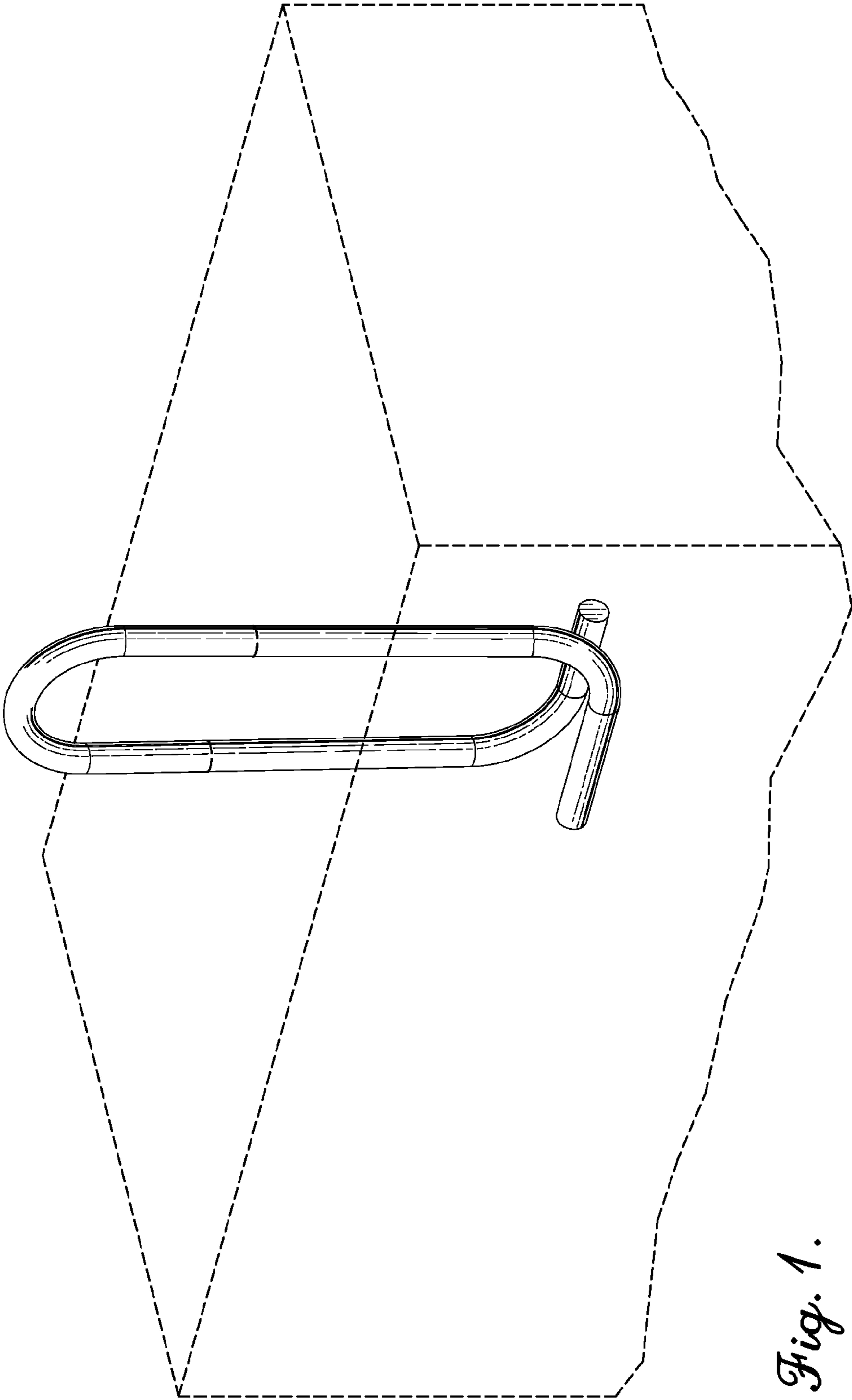


Fig. 1.

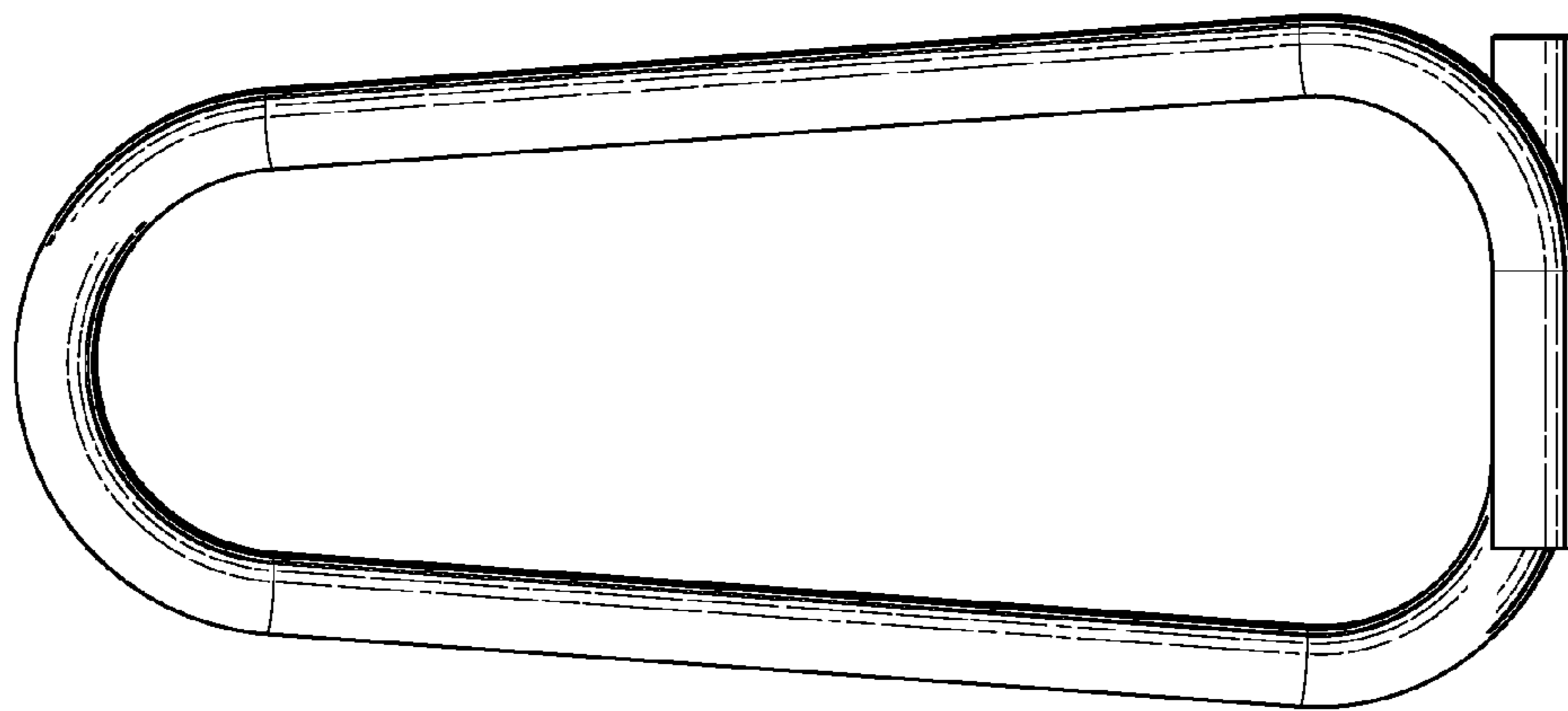


Fig. 3.

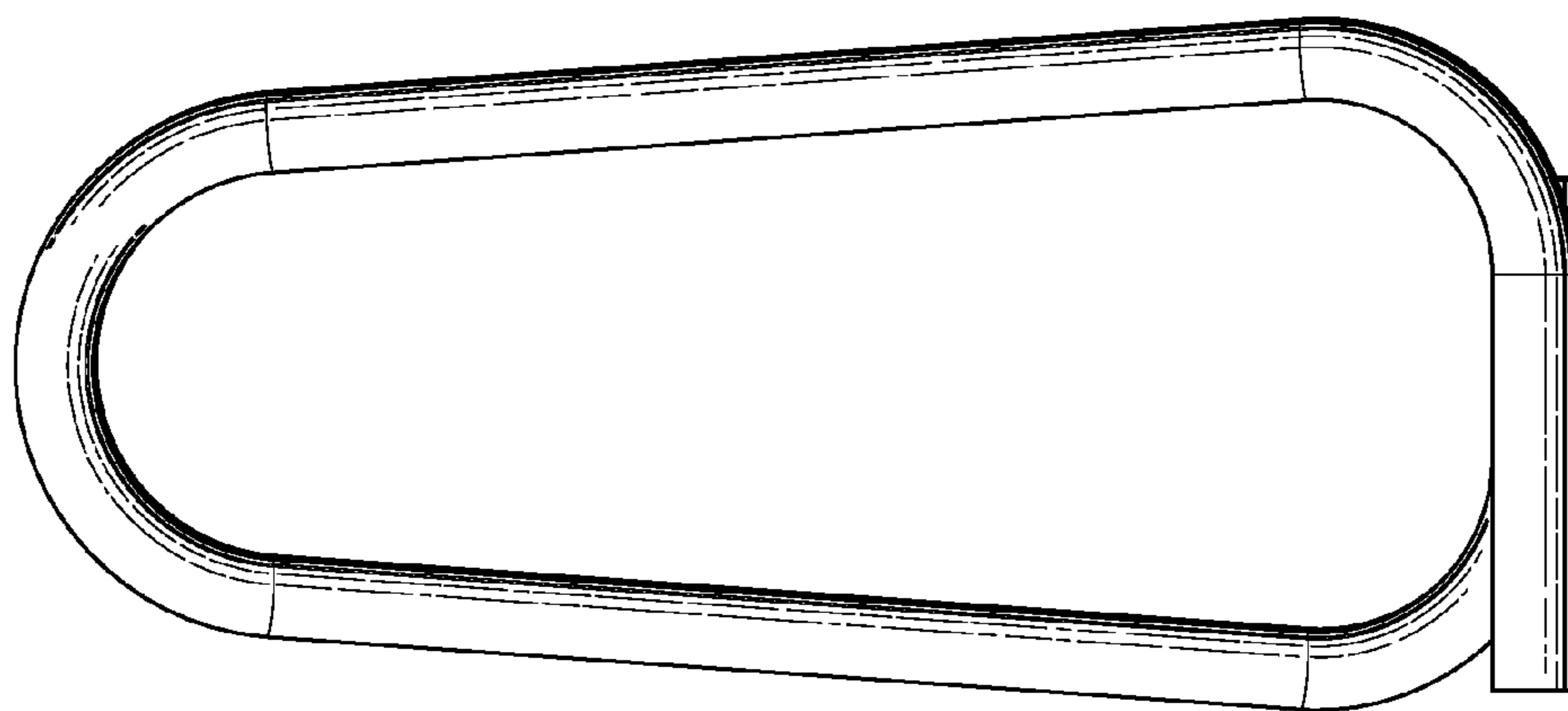


Fig. 2.

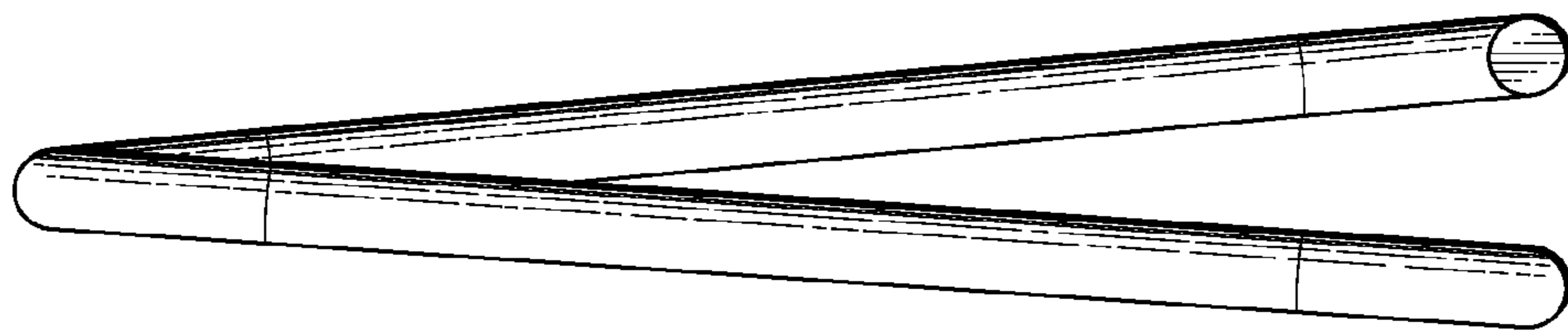


Fig. 4.

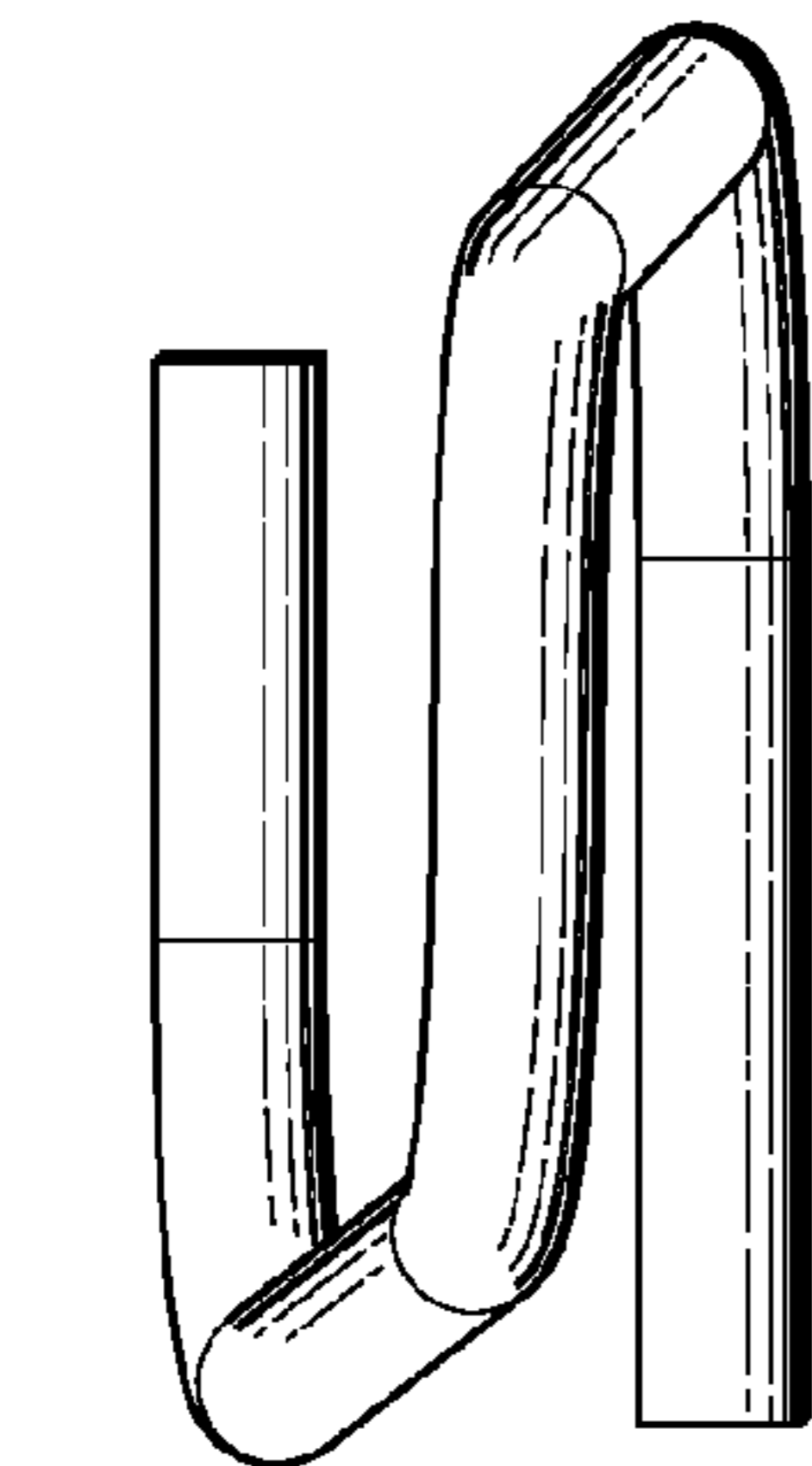


Fig. 6.



Fig. 7.

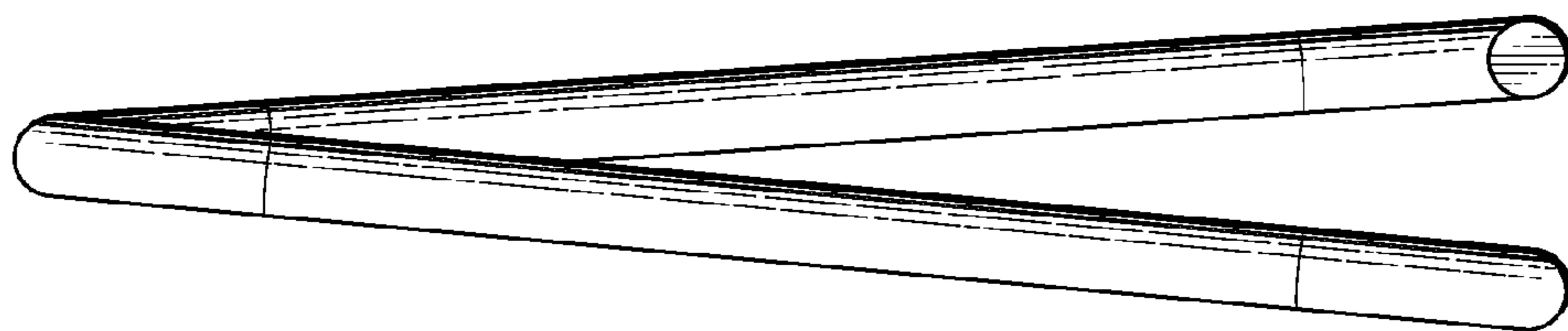


Fig. 5.