



US00D615848S

(12) **United States Design Patent**  
**Prichard et al.**

(10) **Patent No.:** **US D615,848 S**

(45) **Date of Patent:** **\*\* May 18, 2010**

(54) **ANGLED BRACKET**

(75) Inventors: **Mark A. Prichard**, Glen Ellyn, IL (US);  
**James E. Brown**, Naperville, IL (US);  
**Steven L. Wiora**, Sycamore, IL (US)

(73) Assignee: **Control Solutions LLC**, Aurora, IL (US)

(\*\*) Term: **14 Years**

(21) Appl. No.: **29/344,644**

(22) Filed: **Oct. 1, 2009**

(51) **LOC (9) Cl.** ..... **08-05**

(52) **U.S. Cl.** ..... **D8/354**

(58) **Field of Classification Search** ..... D8/349,  
D8/354, 373, 380, 382; D12/223; D25/68,  
D25/102, 119, 121, 126, 133, 136, 138; 248/48,  
248/188, 188.8, 205.1, 247, 248, 309.1; 52/238.1-243.1,  
52/394, 395, 578-582.1, 589.1

See application file for complete search history.

(56) **References Cited**

**U.S. PATENT DOCUMENTS**

|              |         |                 |       |         |
|--------------|---------|-----------------|-------|---------|
| D374,579 S * | 10/1996 | Nilsson         | ..... | D6/495  |
| D379,295 S * | 5/1997  | Kopish          | ..... | D8/349  |
| D423,325 S * | 4/2000  | Liss            | ..... | D8/349  |
| D428,328 S * | 7/2000  | Jarnagin et al. | ..... | D8/382  |
| D438,448 S * | 3/2001  | Batting et al.  | ..... | D8/354  |
| D468,792 S * | 1/2003  | Jacoway et al.  | ..... | D8/354  |
| D472,793 S * | 4/2003  | Callahan et al. | ..... | D8/349  |
| D506,381 S * | 6/2005  | Lu              | ..... | D8/349  |
| D529,431 S * | 10/2006 | Gordon          | ..... | D12/223 |
| D552,947 S * | 10/2007 | Ewasiuk         | ..... | D8/5    |

|                   |         |               |       |        |
|-------------------|---------|---------------|-------|--------|
| D557,112 S *      | 12/2007 | Franssen      | ..... | D8/349 |
| D576,023 S *      | 9/2008  | Urmson et al. | ..... | D8/382 |
| D582,918 S *      | 12/2008 | Scott         | ..... | D8/349 |
| D600,533 S *      | 9/2009  | Cole et al.   | ..... | D8/349 |
| D601,000 S *      | 9/2009  | Cole et al.   | ..... | D8/349 |
| 2006/0169849 A1 * | 8/2006  | Saavedra      | ..... | 248/49 |

\* cited by examiner

*Primary Examiner*—Philip S. Hyder

*Assistant Examiner*—Cynthia M Chin

(74) *Attorney, Agent, or Firm*—The Eclipse Group LLP

(57) **CLAIM**

We claim the ornamental design for an angled bracket, as shown and described.

**DESCRIPTION**

FIG. 1 is a top right perspective view of the angled bracket;

FIG. 2 is a bottom left perspective view thereof;

FIG. 3 is a top view thereof;

FIG. 4 is a left side view thereof;

FIG. 5 is a front view thereof;

FIG. 6 is a right side view thereof;

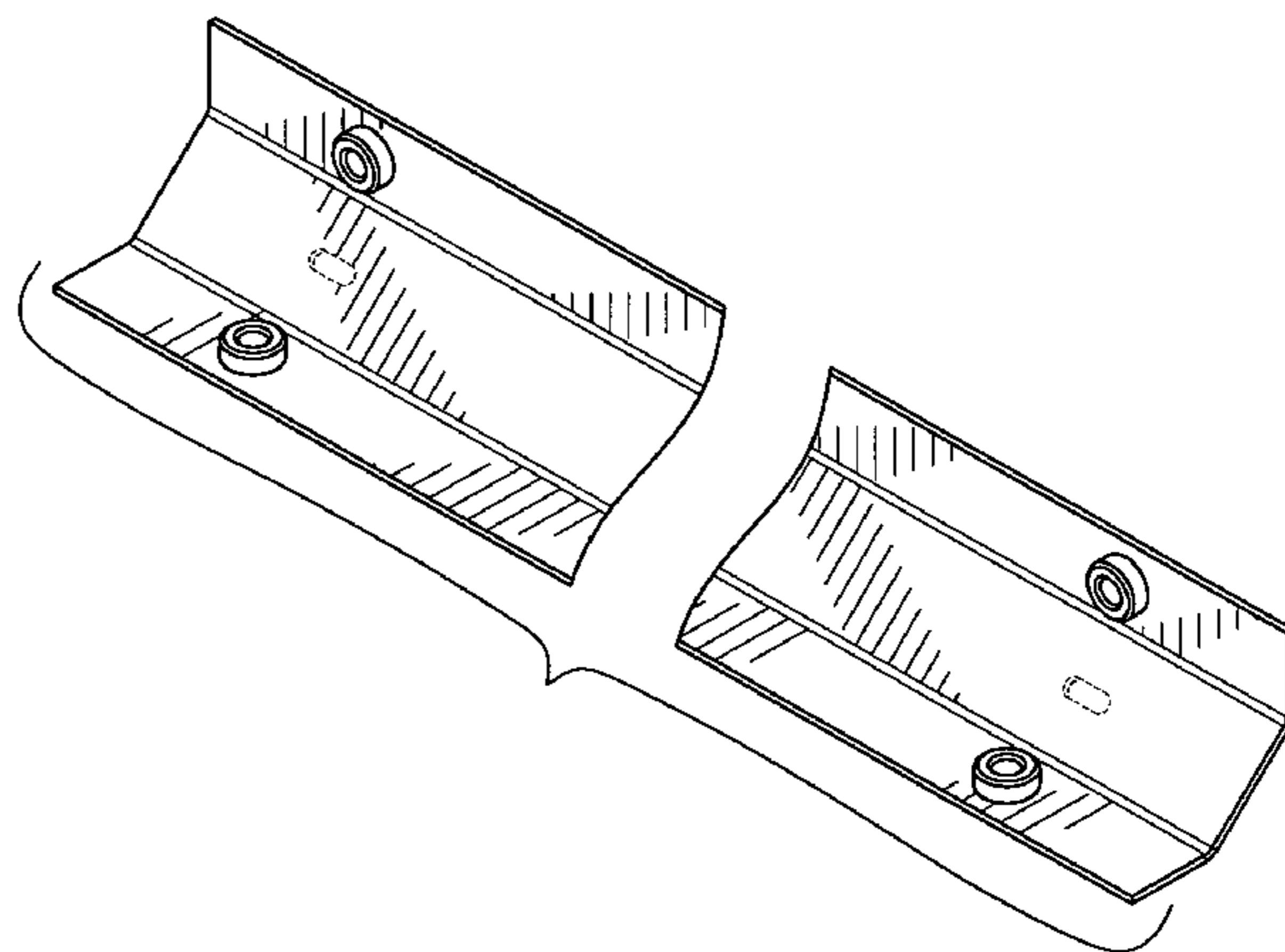
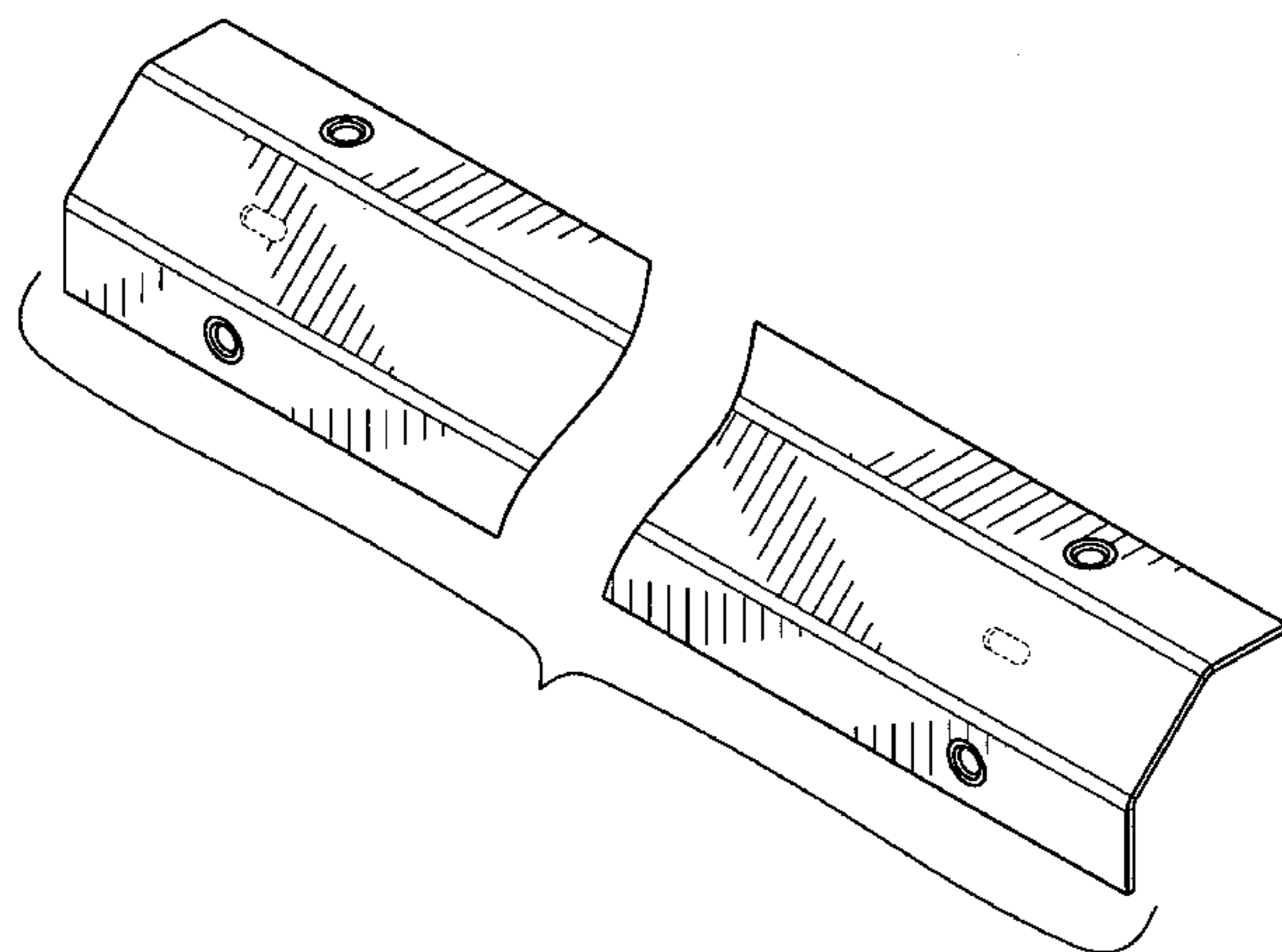
FIG. 7 is a rear view thereof; and,

FIG. 8 is a bottom view thereof.

The dashed lines throughout all figures represent portions of the design that form no part of the claim.

Portions of the claimed design are shown separated and bound by a bracket to indicate that no particular length is being claimed.

**1 Claim, 3 Drawing Sheets**



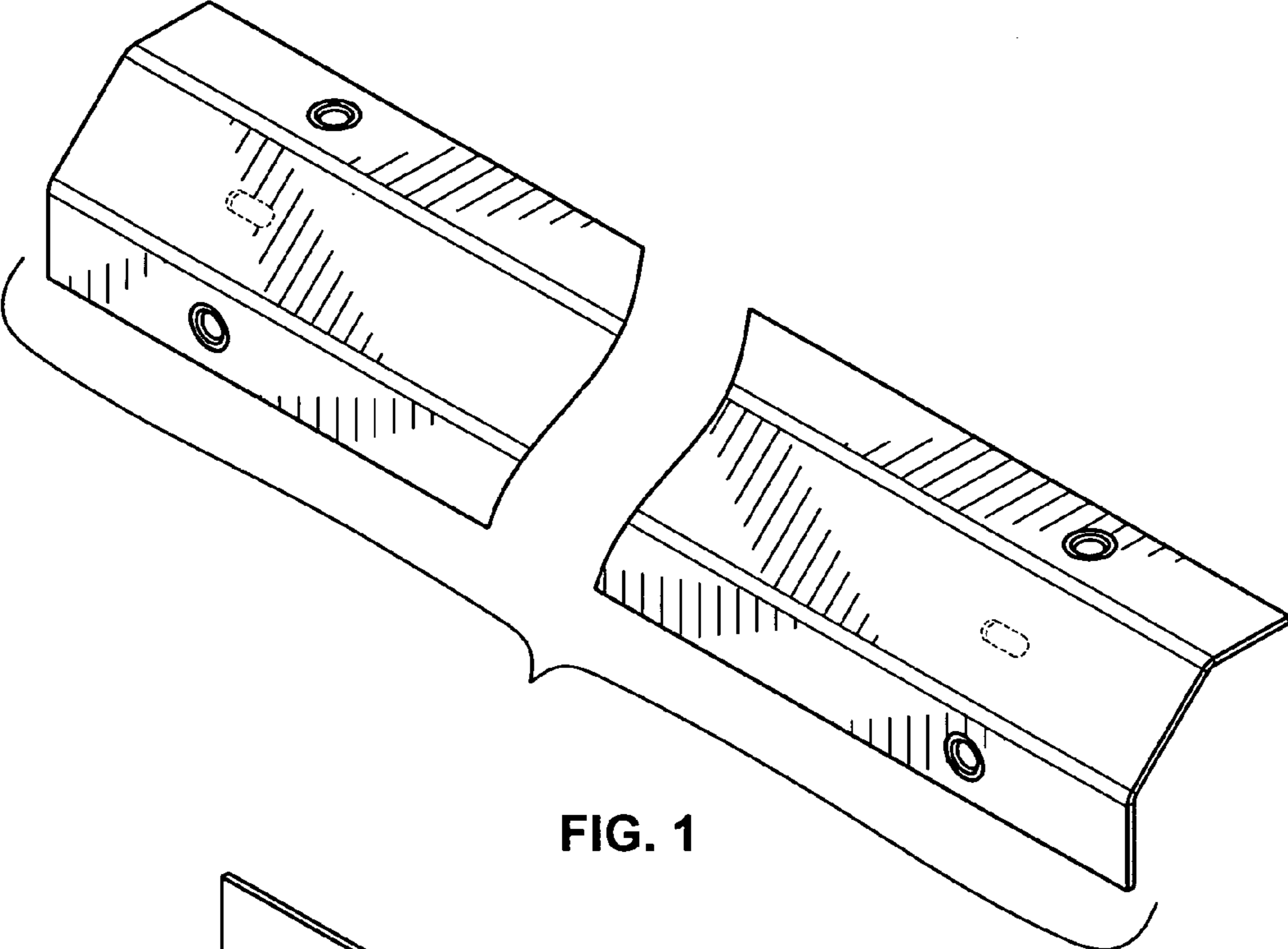


FIG. 1

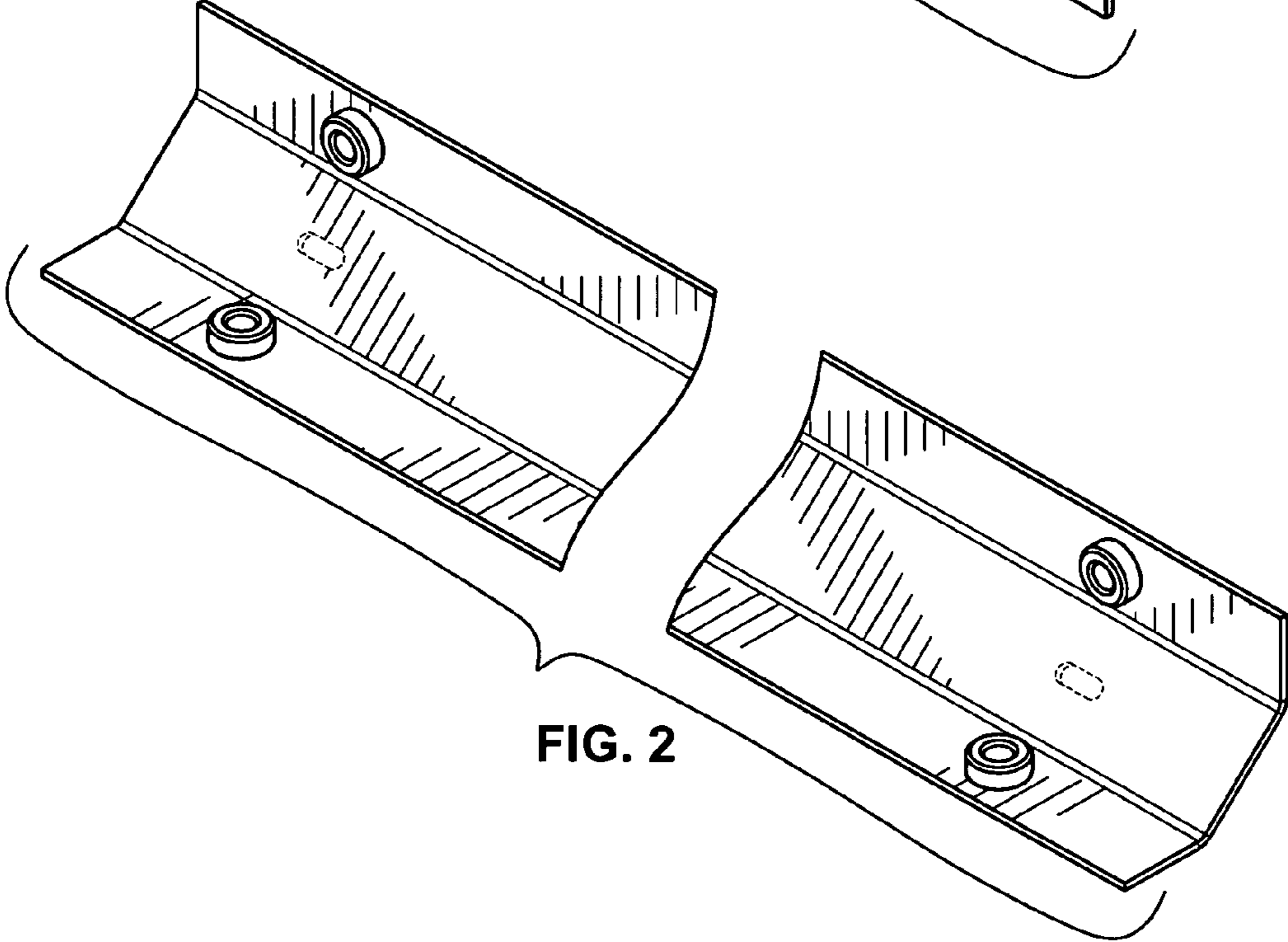


FIG. 2

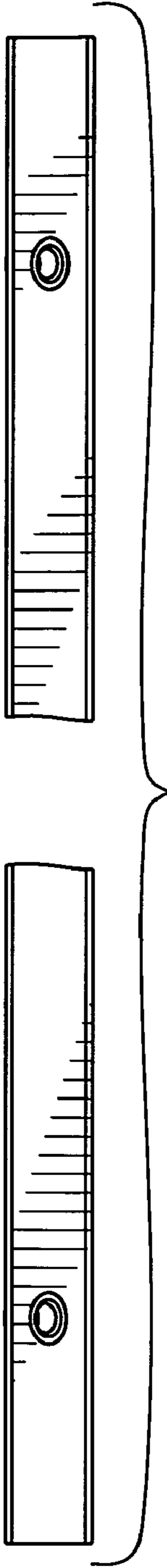


FIG. 3

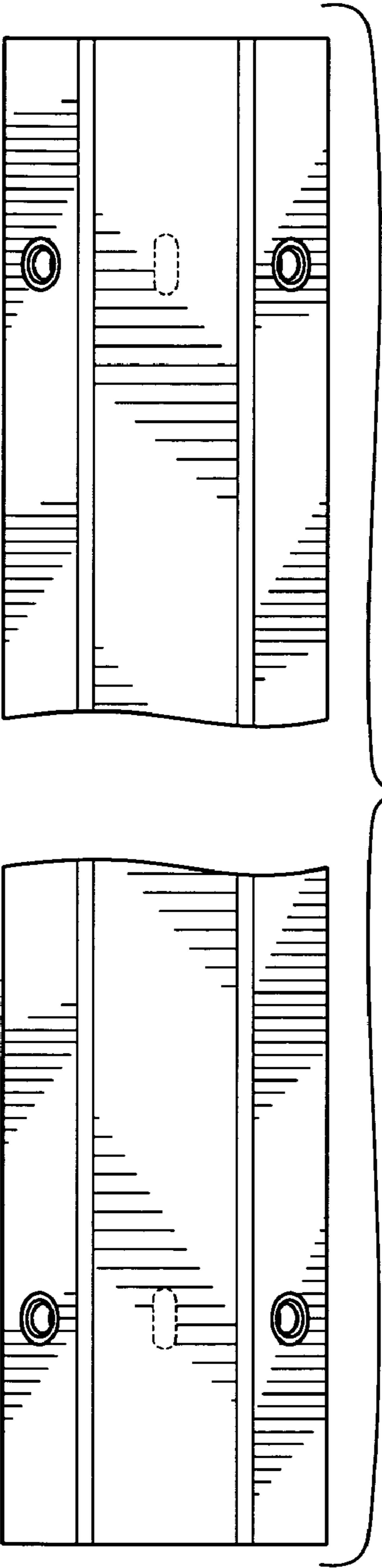


FIG. 5



FIG. 4



FIG. 6

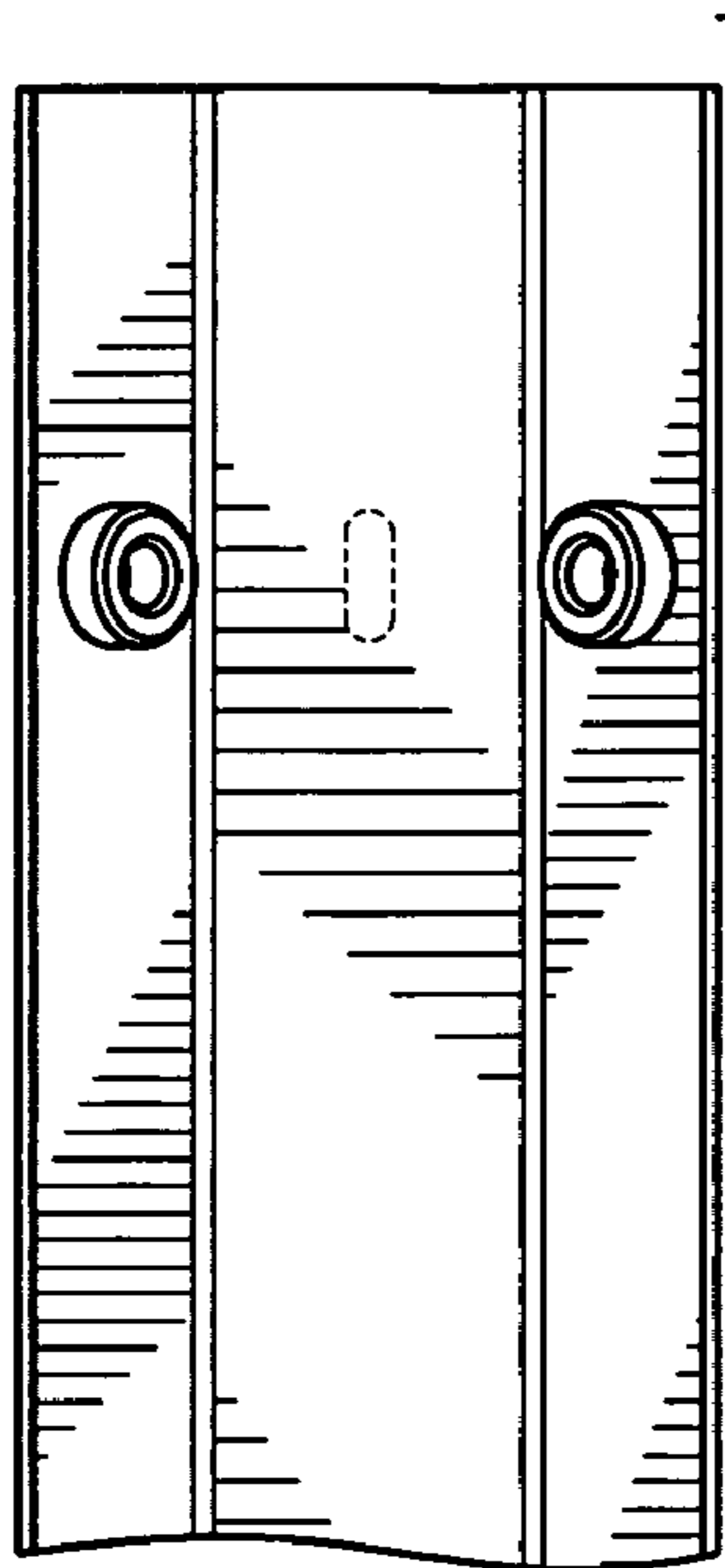
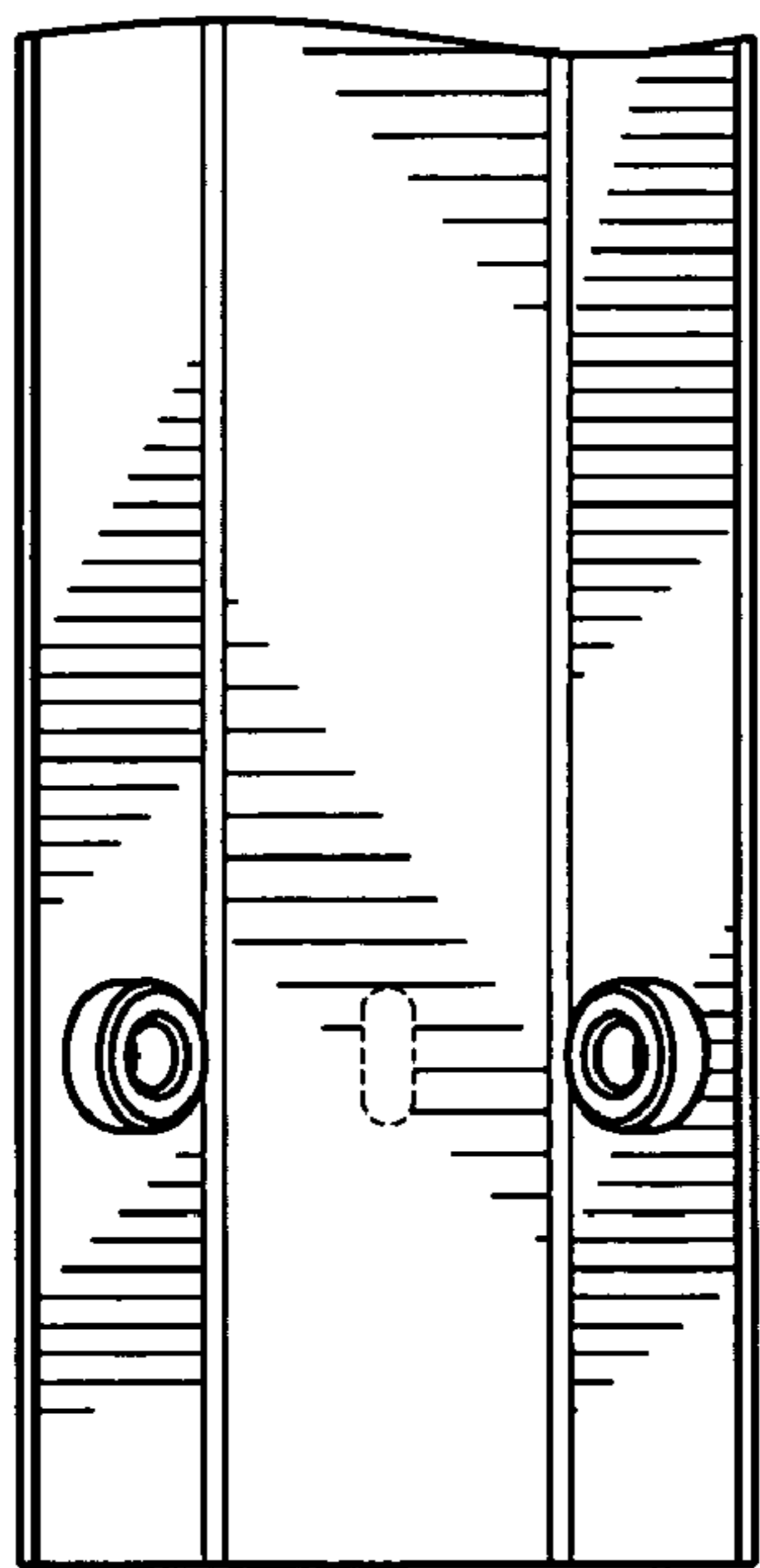


FIG. 7



FIG. 8