



US00D615847S

(12) **United States Design Patent**
Tezak et al.

(10) **Patent No.:** **US D615,847 S**

(45) **Date of Patent:** **** May 18, 2010**

(54) **MOUNTING BRACKET**

(75) Inventors: **Robert J. Tezak**, Carol Stream, IL (US);
James E. Brown, Naperville, IL (US);
Robert C. Signaigo, Lemont, IL (US)

(73) Assignee: **Control Solutions LLC**, Aurora, IL (US)

(**) Term: **14 Years**

(21) Appl. No.: **29/351,284**

(22) Filed: **Dec. 3, 2009**

(51) **LOC (9) Cl.** **08-05**

(52) **U.S. Cl.** **D8/349**

(58) **Field of Classification Search** D8/349,
D8/354, 356, 366, 373, 380, 382, 394, 395;
D12/223; D13/133; D14/229; 248/300,
248/200, 205.1, 207, 309.1, 351, 352, 682
See application file for complete search history.

(56) **References Cited**

U.S. PATENT DOCUMENTS

D270,516 S *	9/1983	Achille	D8/354
D289,852 S *	5/1987	Tuvesson	D8/373
D304,293 S *	10/1989	McCarthy	D8/349
D371,504 S *	7/1996	Massie	D8/349
D400,428 S *	11/1998	Sabounjian	D8/382
D404,996 S *	2/1999	Ross	D8/382
D457,805 S *	5/2002	Machijima	D8/354
D460,734 S *	7/2002	Carlson	D12/223

D467,790 S *	12/2002	Roberts et al.	D8/356
D483,650 S *	12/2003	Squillante et al.	D8/349
D504,304 S *	4/2005	Hancock	D8/354
D522,348 S *	6/2006	Hansen	D8/354
D531,890 S *	11/2006	Bentrim	D8/382
D548,571 S *	8/2007	Bigelow et al.	D8/349
D598,730 S *	8/2009	Luo et al.	D8/354

* cited by examiner

Primary Examiner—Philip S Hyder

Assistant Examiner—Cynthia M Chin

(74) *Attorney, Agent, or Firm*—The Eclipse Group LLP

(57) **CLAIM**

We claim the ornamental design for a mounting bracket, as shown and described.

DESCRIPTION

FIG. 1 is a perspective view of the mounting bracket;

FIG. 2 is a top view thereof;

FIG. 3 is a left side view thereof;

FIG. 4 is a front view thereof;

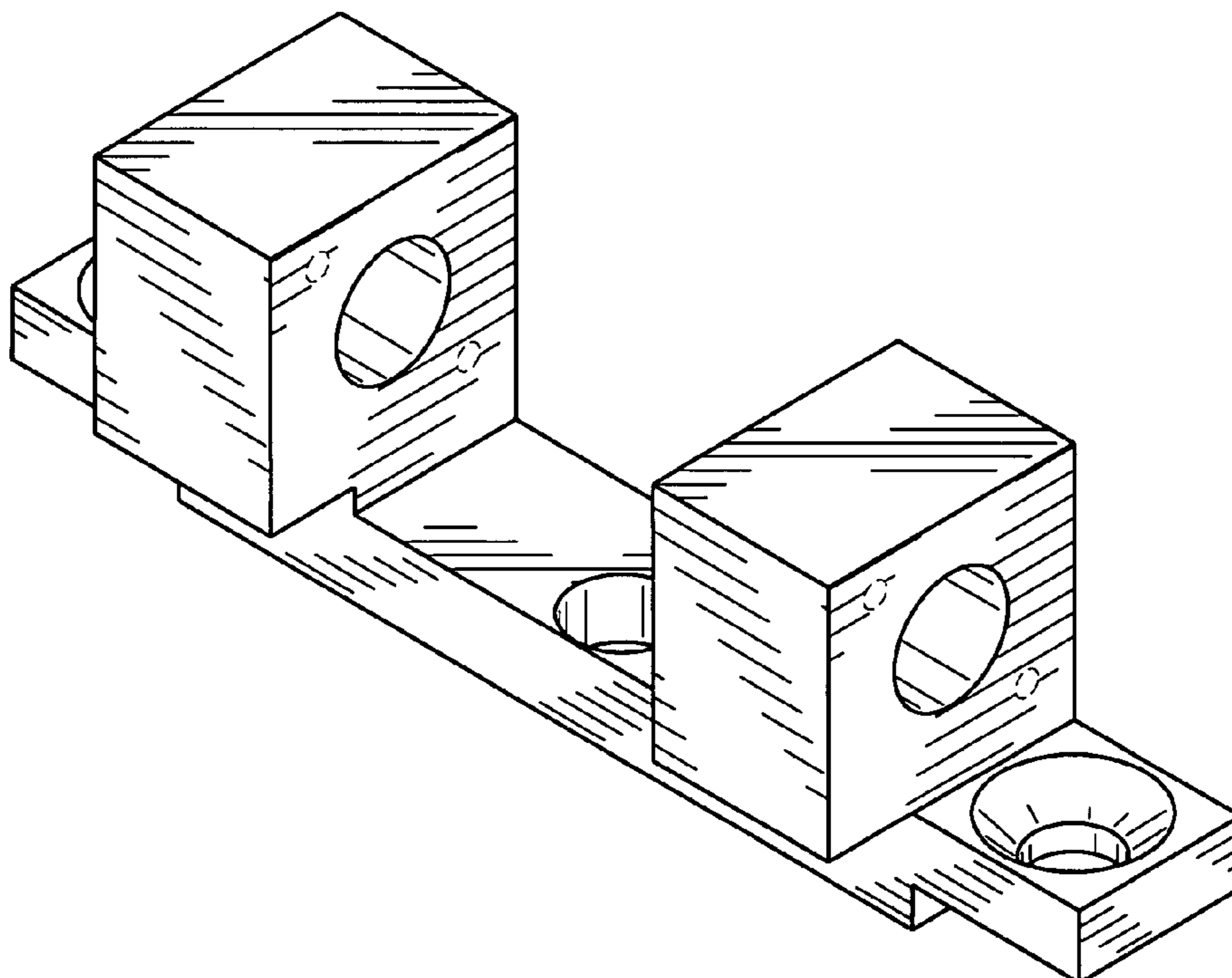
FIG. 5 is a right side view thereof;

FIG. 6 is a rear view thereof; and,

FIG. 7 is a bottom view thereof

The dashed lines shown in FIGS. 1, 2, 3, 5 & 7 represent portions of the design that form no part of the claim.

1 Claim, 3 Drawing Sheets



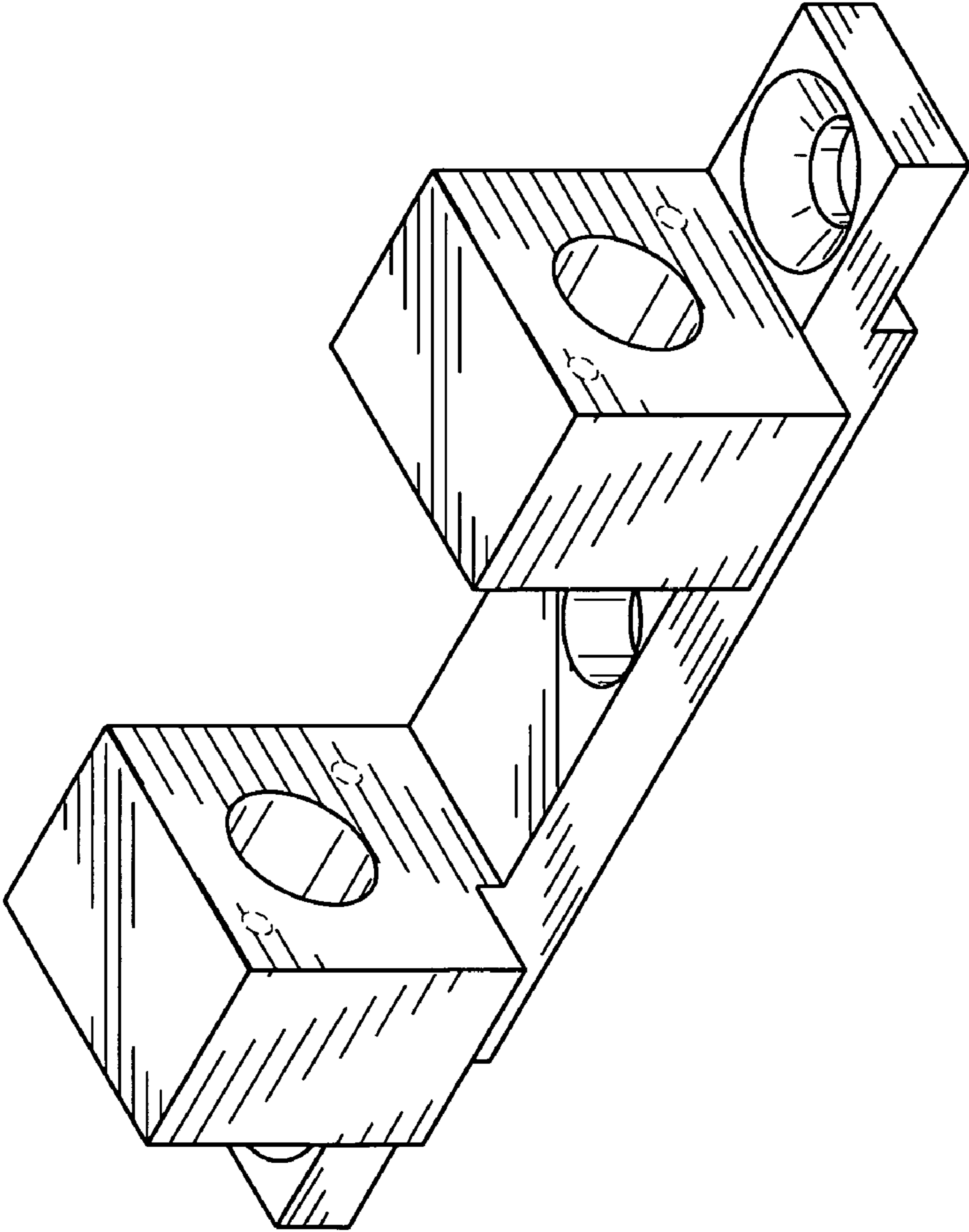


FIG. 1

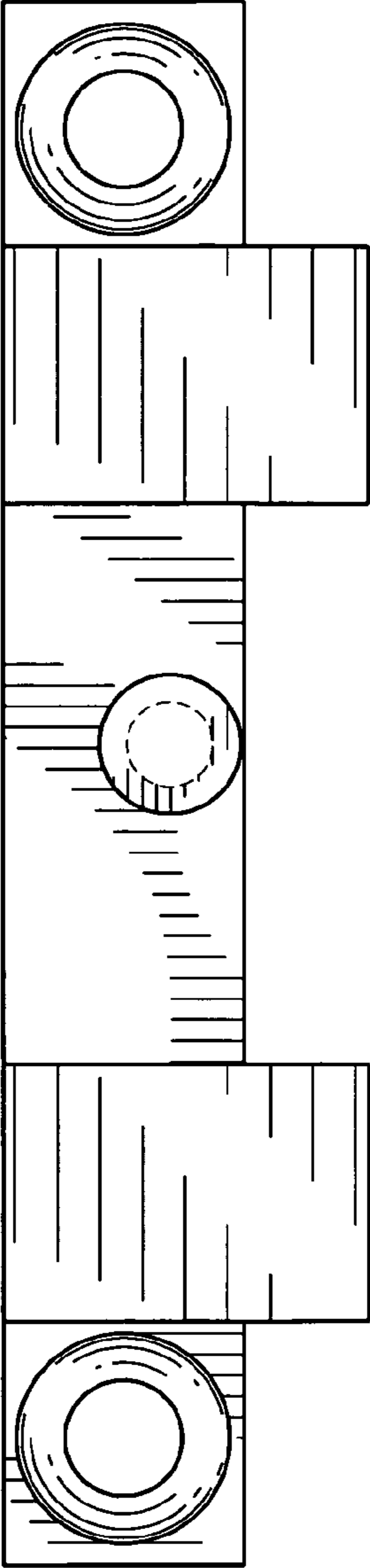


FIG. 2

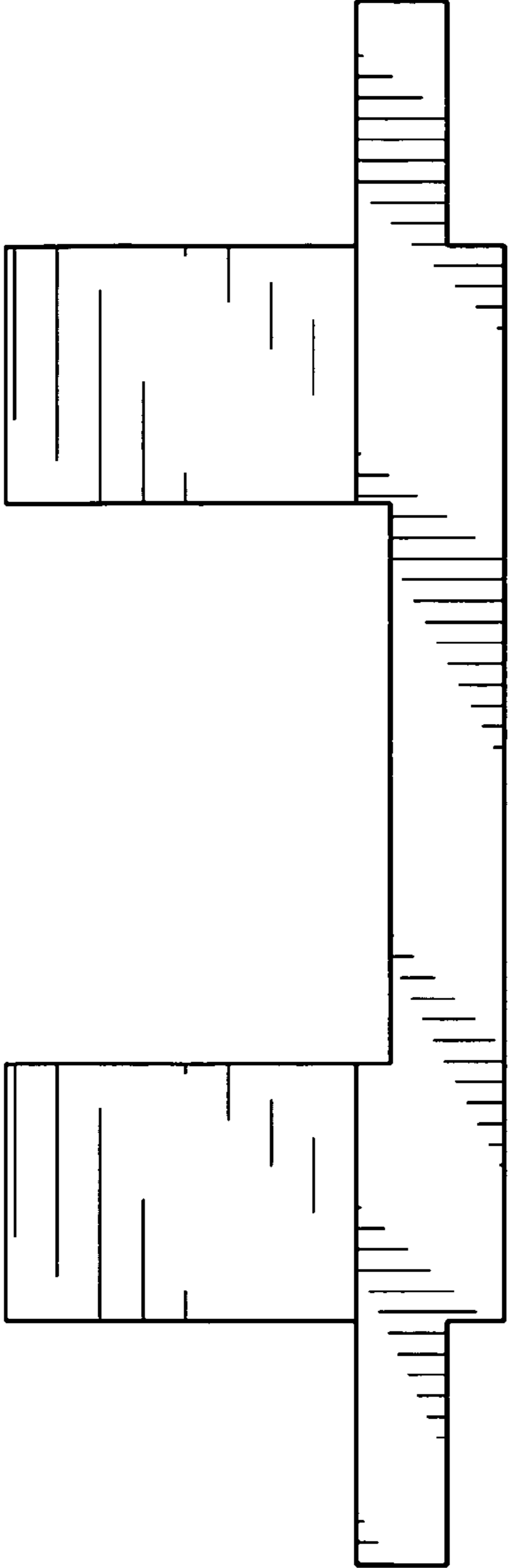


FIG. 4

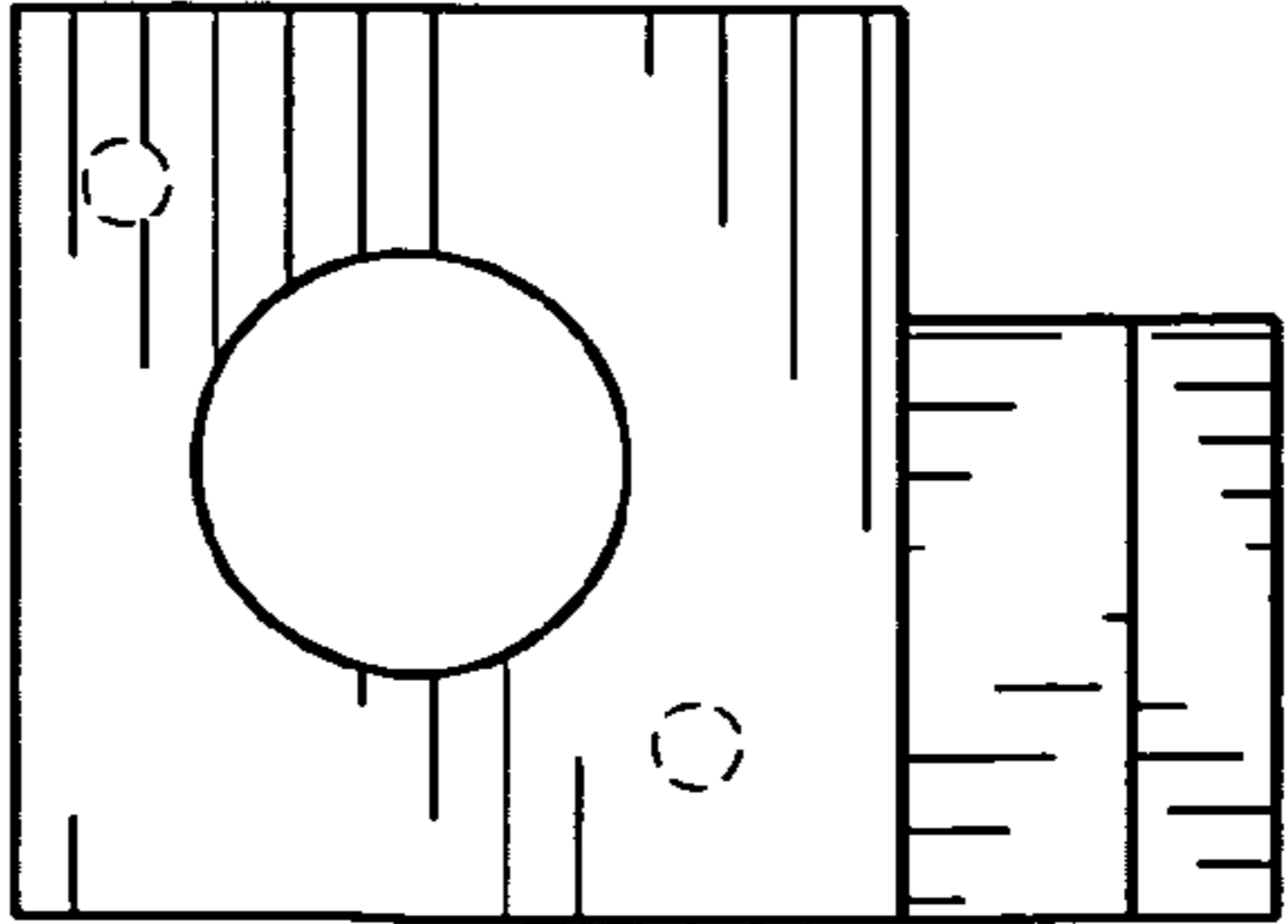


FIG. 3

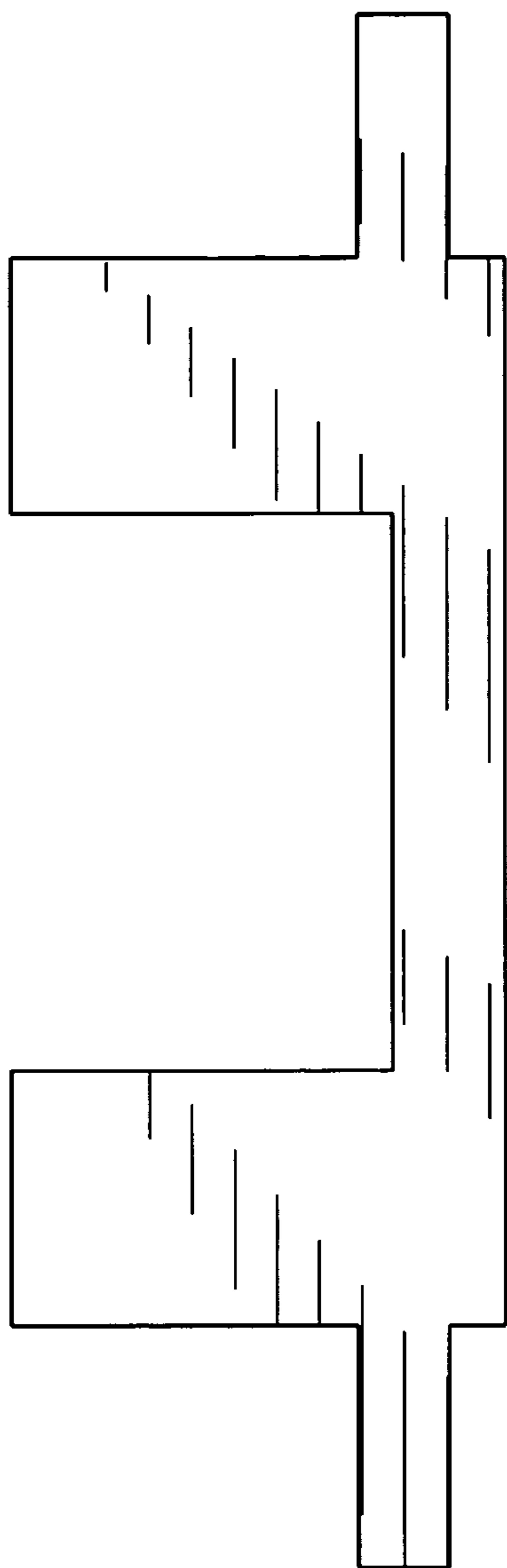


FIG. 5

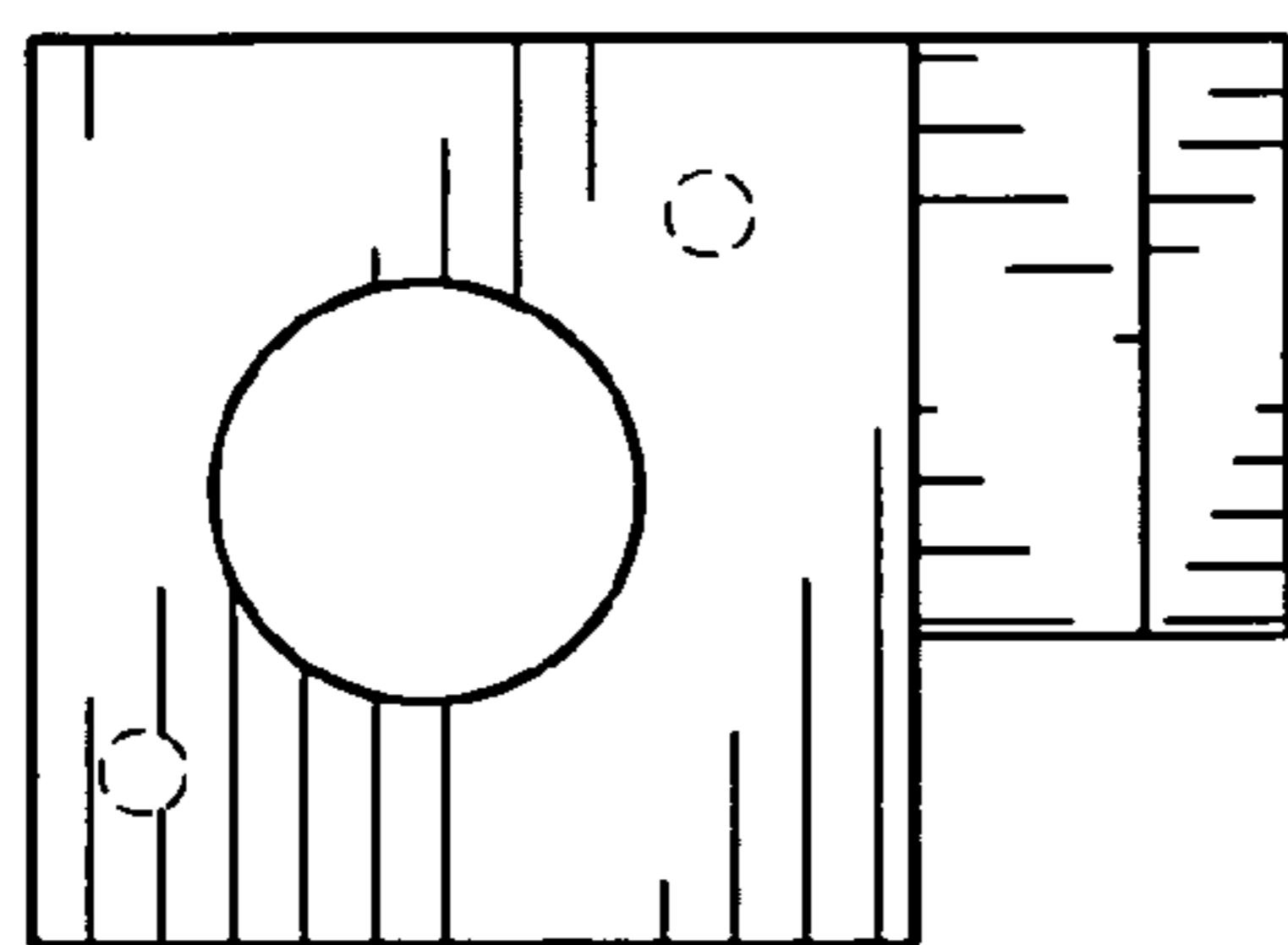


FIG. 6

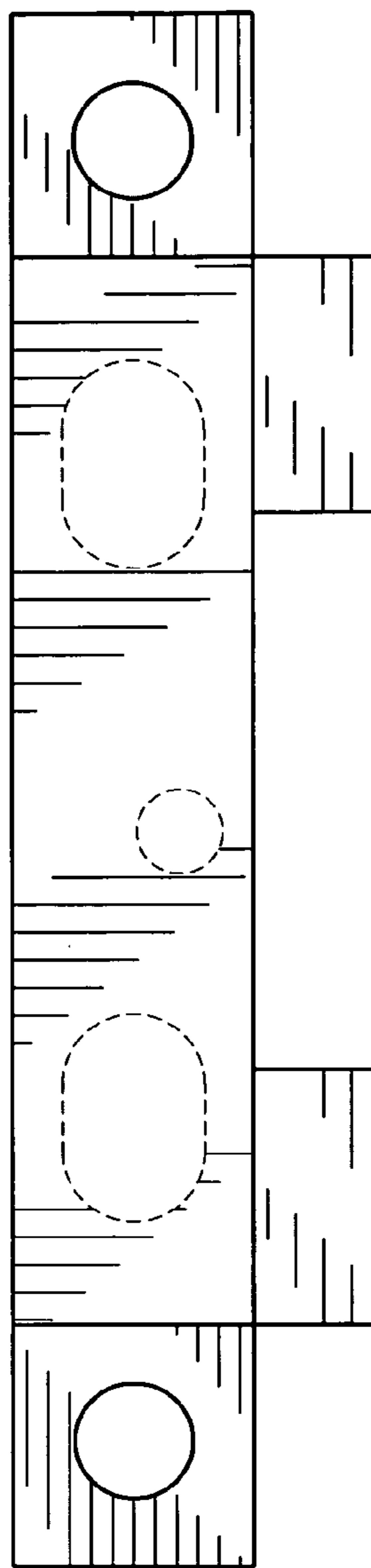


FIG. 7