



US00D615845S

(12) **United States Design Patent**
Agresta

(10) **Patent No.:** **US D615,845 S**

(45) **Date of Patent:** **** May 18, 2010**

(54) **SERVICE KEY**

(75) Inventor: **Frank Agresta**, Waterbury, CT (US)

(73) Assignee: **Neoperl GmbH**, Mullheim (DE)

(**) Term: **14 Years**

(21) Appl. No.: **29/346,069**

(22) Filed: **Oct. 27, 2009**

(30) **Foreign Application Priority Data**

Nov. 5, 2009 (EM) 001136402

(51) **LOC (9) Cl.** **08-07**

(52) **U.S. Cl.** **D8/347**

(58) **Field of Classification Search** D8/347,
D8/348; 70/336, 344, 382, 390, 393, 416,
70/419, 429, 430, 447, 460, DIG. 14; D3/207-212
See application file for complete search history.

(56) **References Cited**

U.S. PATENT DOCUMENTS

3,340,709 A * 9/1967 Callahan 70/209
3,616,827 A * 11/1971 Stillwagon, Jr. 81/436
3,874,258 A * 4/1975 Semola et al. 81/121.1
D241,520 S * 9/1976 Fujita et al. D8/397
4,211,128 A * 7/1980 Plumer 81/436

4,869,633 A * 9/1989 Hayashi 411/368
5,819,569 A * 10/1998 Herdman 70/420
6,634,197 B2 * 10/2003 Widen et al. 70/369
D488,715 S * 4/2004 Plumer D8/397
D594,733 S * 6/2009 Agresta D8/347
D595,113 S * 6/2009 Agresta D8/347

* cited by examiner

Primary Examiner—Prabhakar Deshmukh

(74) *Attorney, Agent, or Firm*—Volpe and Koenig, P.C.

(57) **CLAIM**

The ornamental design for a service key, as shown and described.

DESCRIPTION

FIG. 1 is a top, front, right perspective view of a service key in accordance with my design;

FIG. 2 is a top, right, rear perspective view thereof;

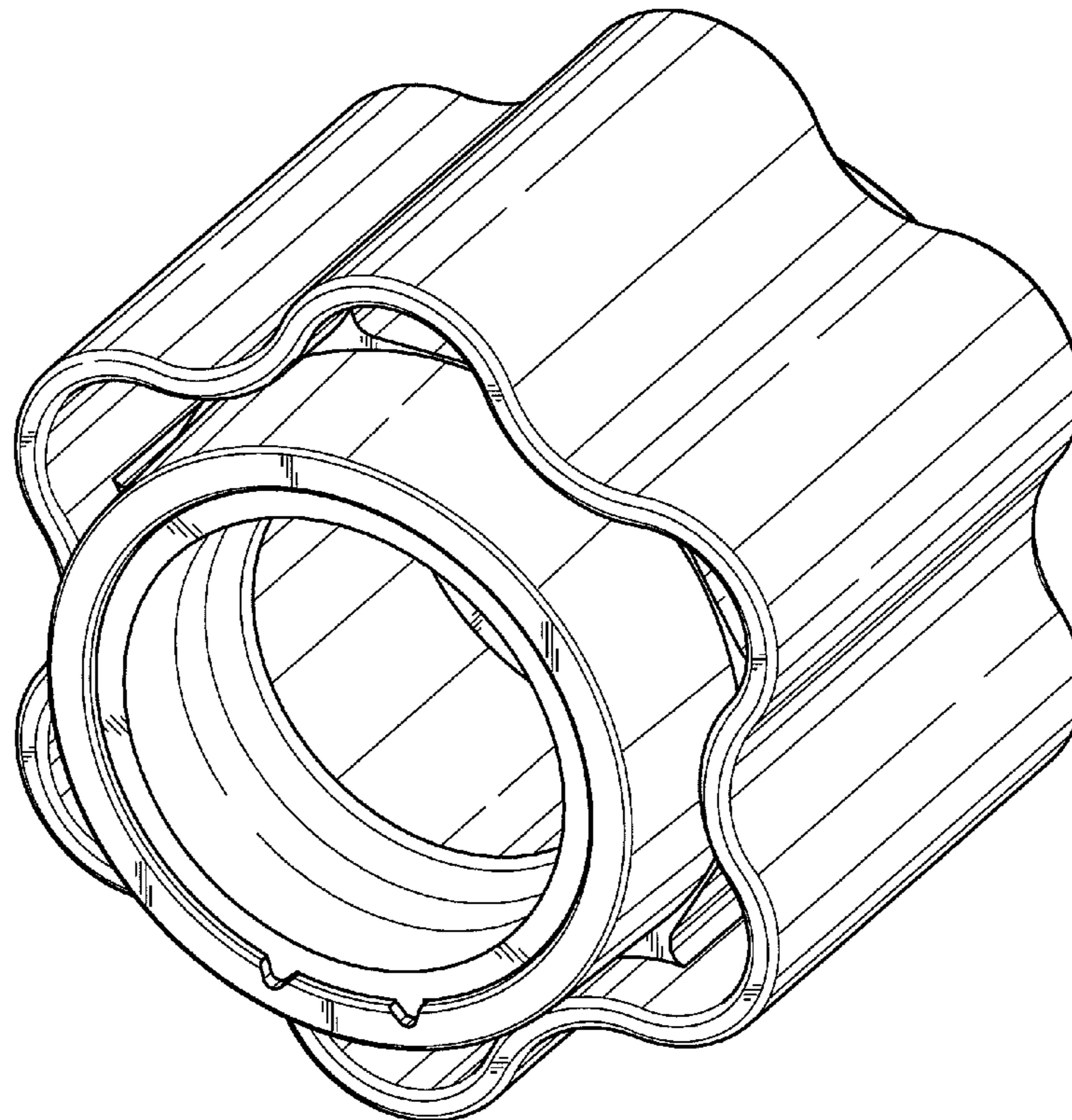
FIG. 3 is a rear elevational view thereof;

FIG. 4 is a front elevational view thereof;

FIG. 5 is a top plan view thereof, with the bottom view being a mirror image thereof; and,

FIG. 6 is a right side elevational view thereof, with the left side elevational view being a mirror image thereof.

1 Claim, 6 Drawing Sheets



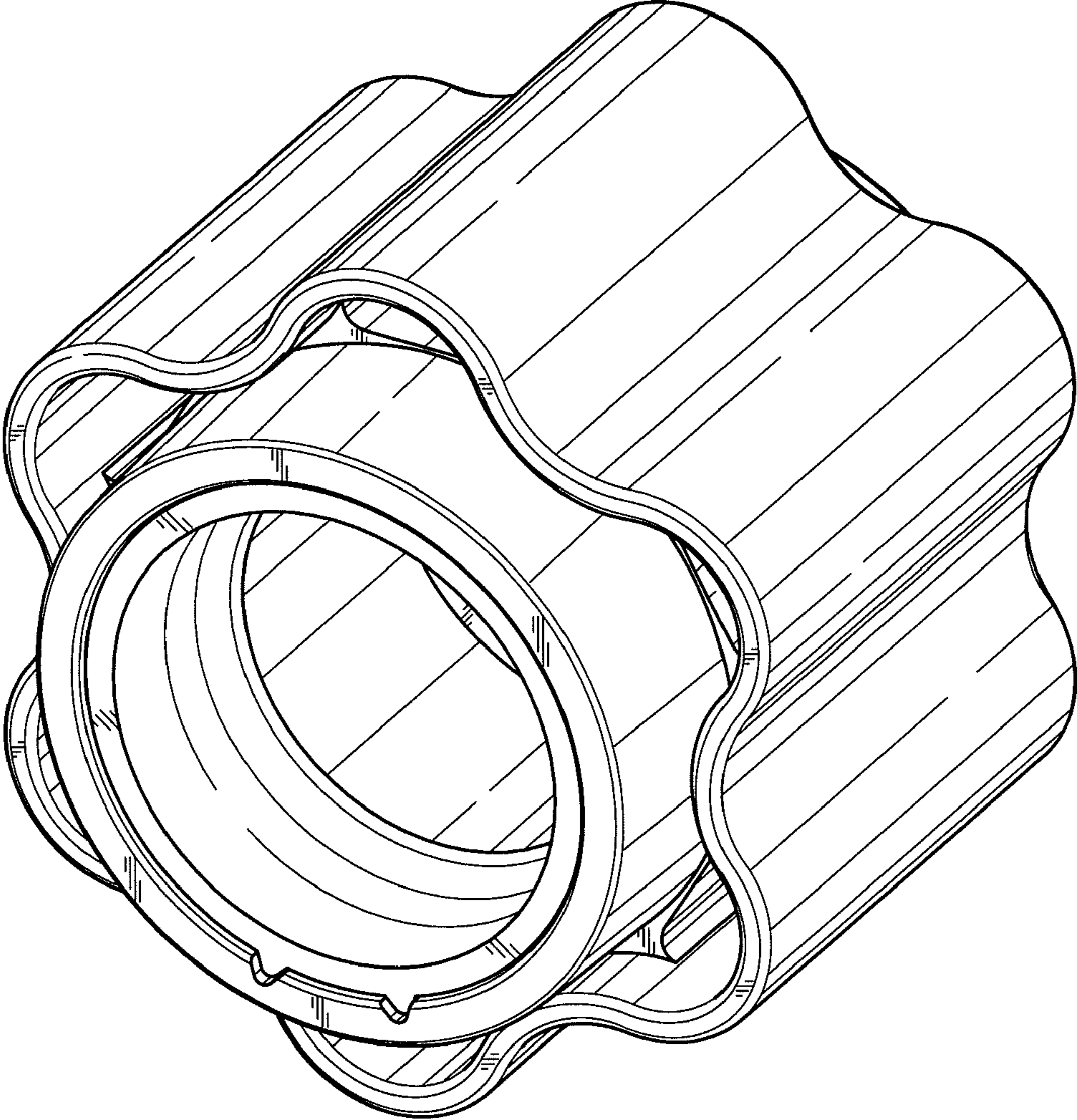


FIG. 1

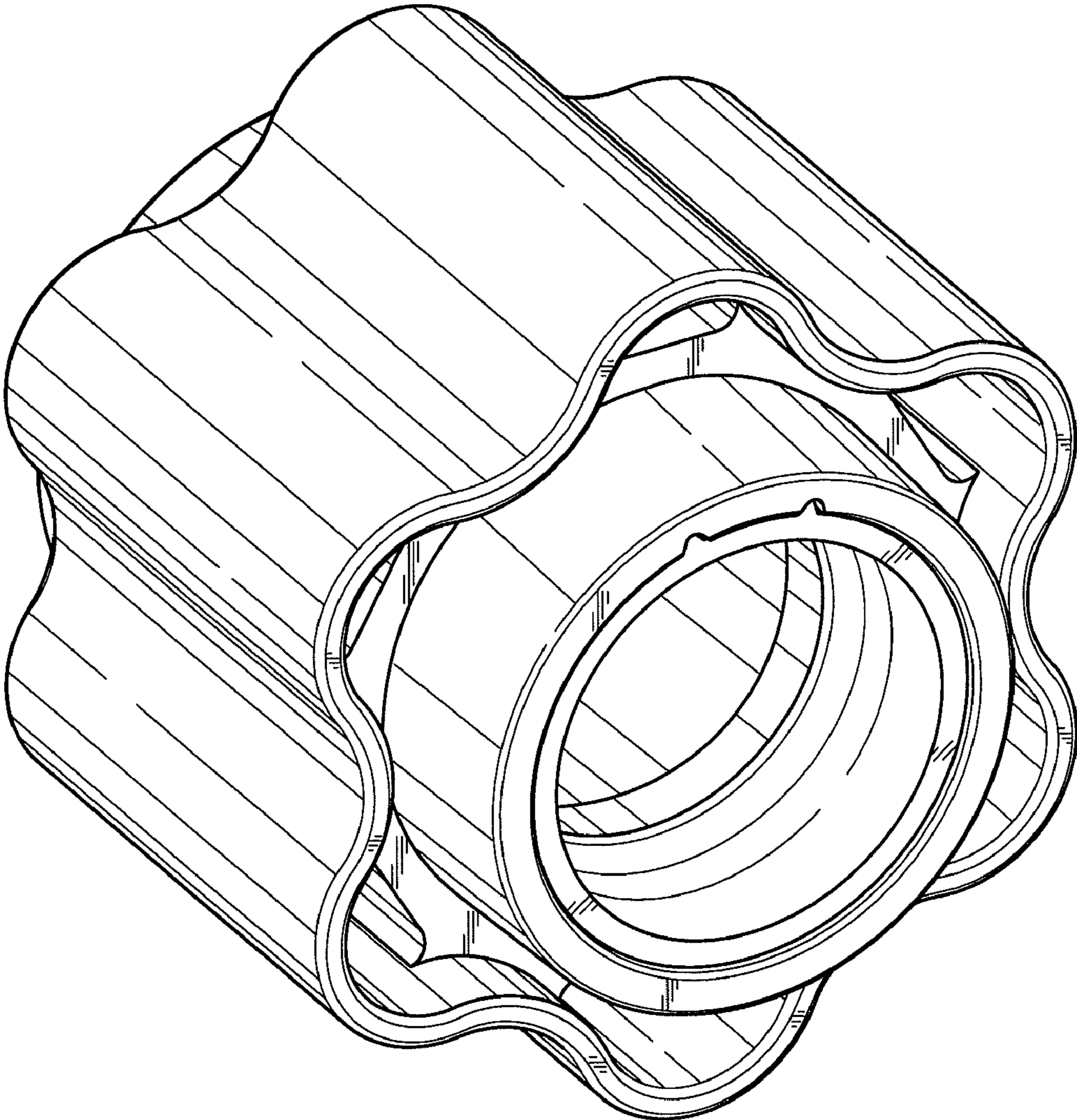


FIG. 2

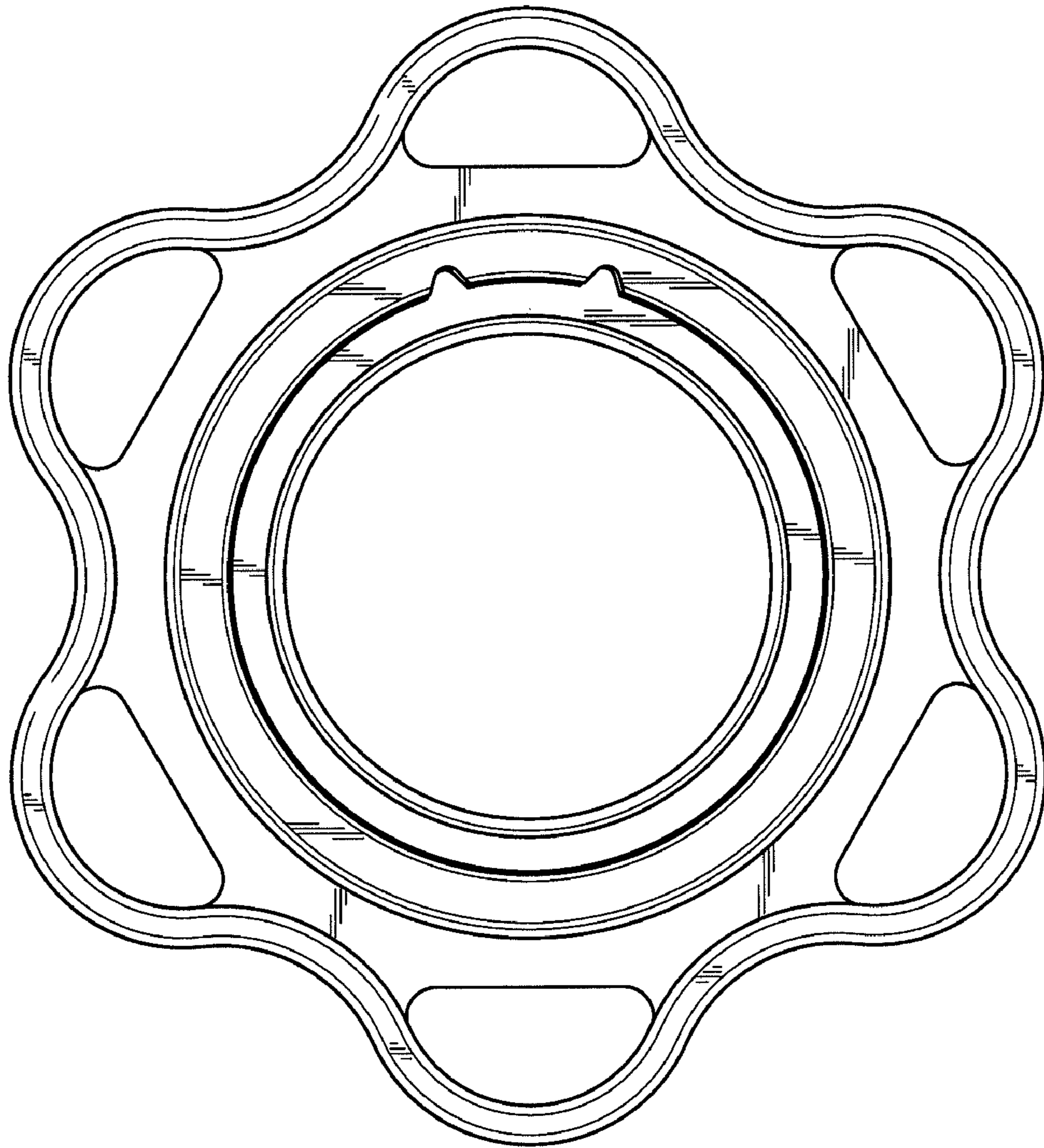


FIG. 3

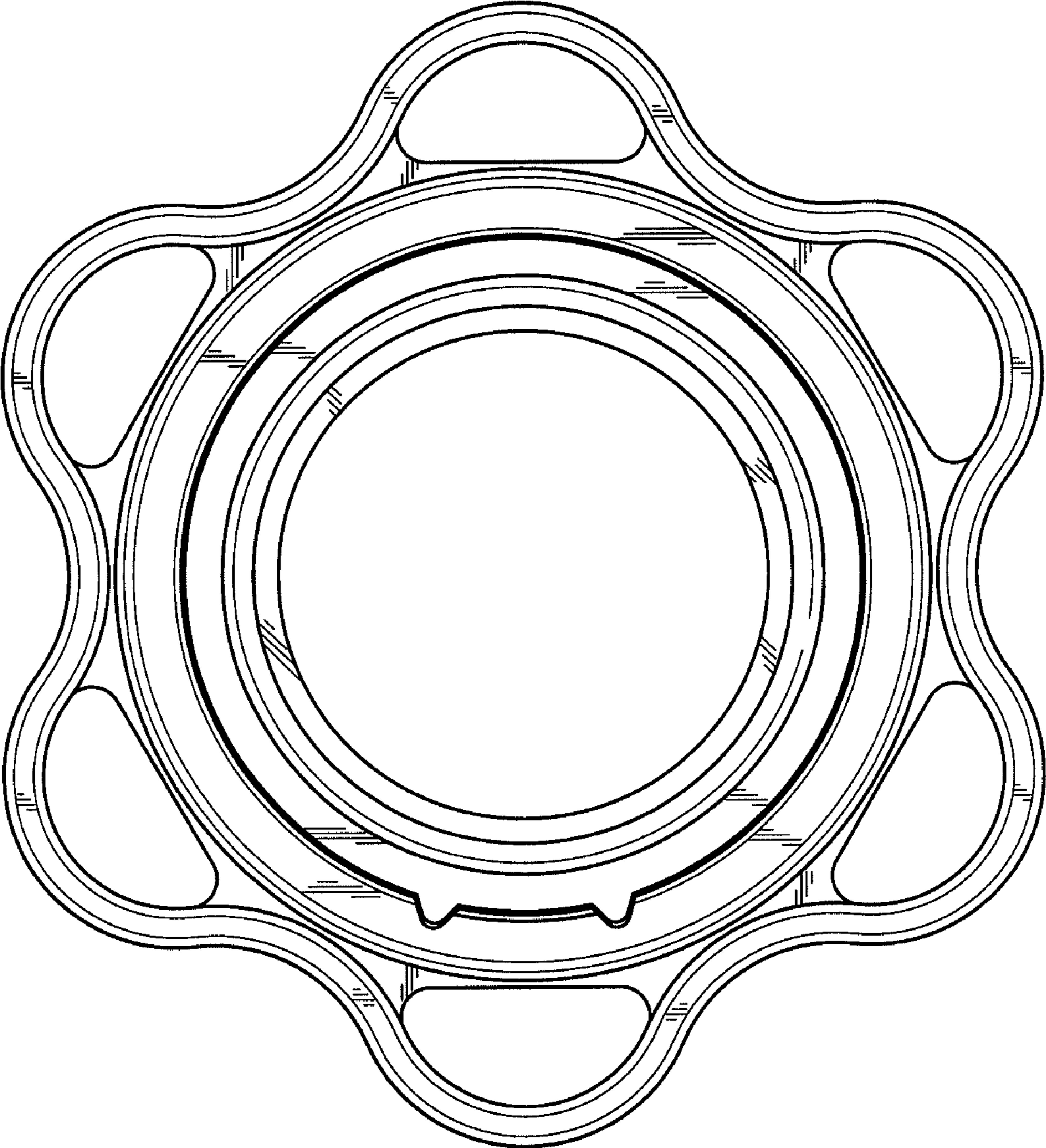


FIG. 4

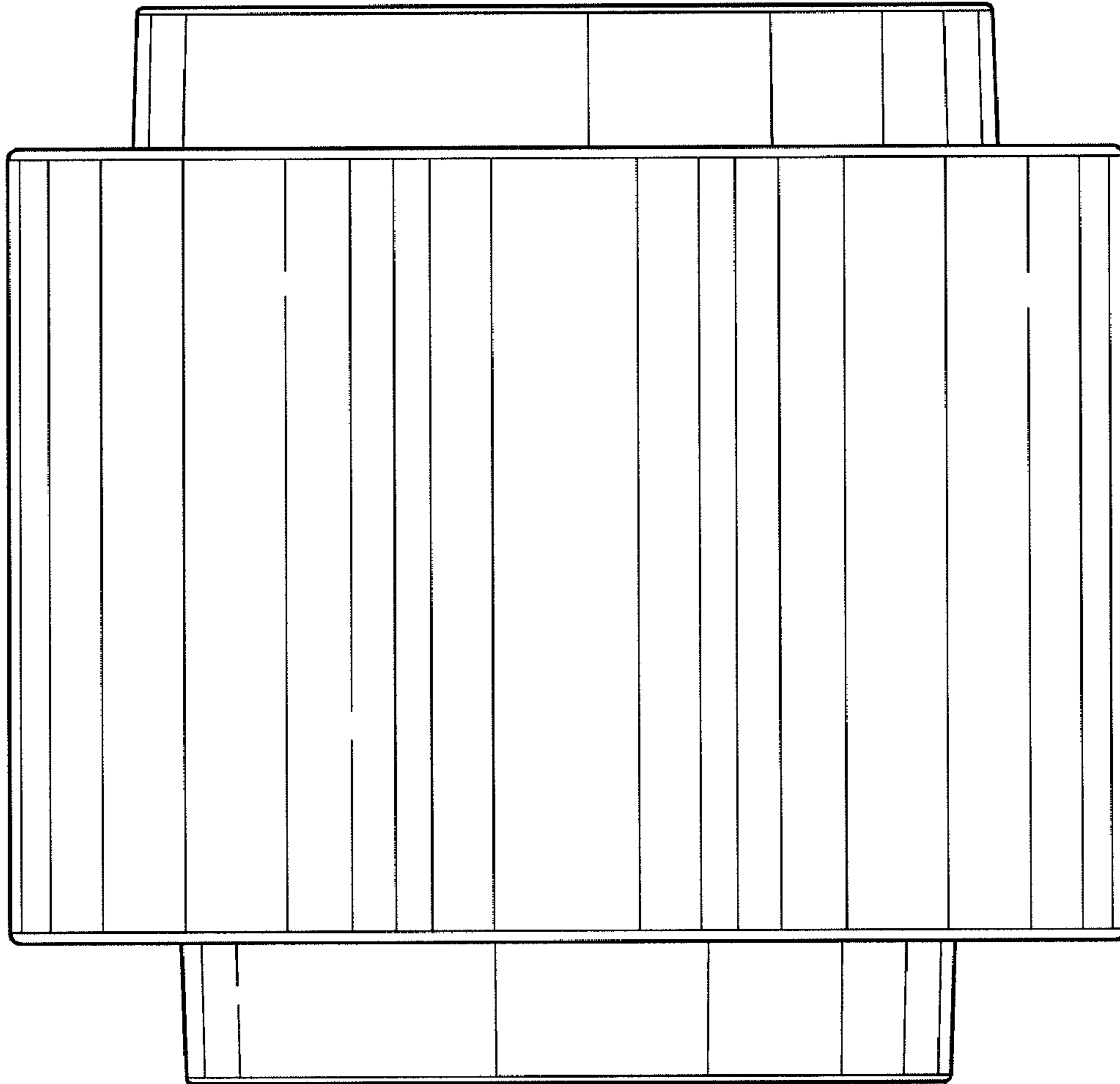


FIG. 5

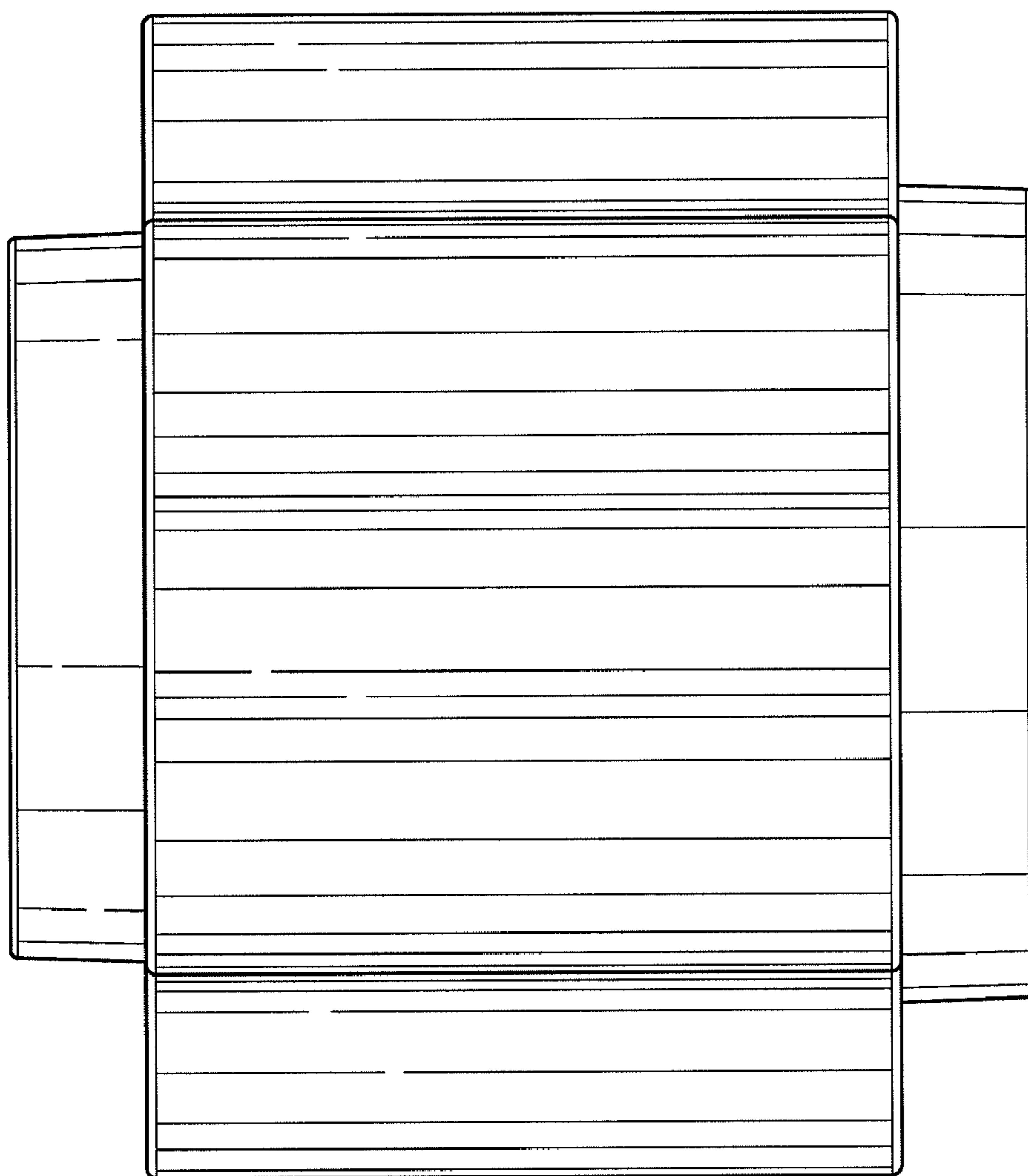


FIG. 6