



US00D615844S

(12) **United States Design Patent**  
**Wiora**

(10) **Patent No.:** **US D615,844 S**

(45) **Date of Patent:** **\*\* May 18, 2010**

(54) **CLEVIS EXTENSION PIECE**

(75) **Inventor:** **Steven L. Wiora**, Sycamore, IL (US)

(73) **Assignee:** **Control Solutions LLC**, Aurora, IL (US)

(\*\*) **Term:** **14 Years**

(21) **Appl. No.:** **29/316,865**

(22) **Filed:** **Nov. 6, 2009**

(51) **LOC (9) Cl.** ..... **08-07**

(52) **U.S. Cl.** ..... **D8/343**

(58) **Field of Classification Search** ..... D8/330,  
D8/331, 343, 344, 339, 340, 333; 70/14,  
70/51, 52, 124–126, 132, 141, 142, 163,  
70/164, 192–197, 201, 202, 229–232, 266,  
70/431, DIG. 80; 292/1, 56, 246–250, 95,  
292/109, 169, 159, 138, 139, 240, 289, 290,  
292/300, 304

See application file for complete search history.

(56) **References Cited**

**U.S. PATENT DOCUMENTS**

3,955,842	A *	5/1976	Edwards	.....	292/307 R
4,877,274	A *	10/1989	Poe	.....	292/113
5,295,757	A *	3/1994	Ivey et al.	.....	404/6
5,435,604	A *	7/1995	Chen	.....	285/84
5,495,639	A *	3/1996	Wartian	.....	16/79
D389,031	S *	1/1998	Lam	.....	D8/333

5,722,697	A *	3/1998	Chen	.....	285/91
D444,371	S *	7/2001	Leonowich	.....	D8/331
D494,840	S *	8/2004	Senn	.....	D8/344
D500,664	S *	1/2005	Myers et al.	.....	D8/343
2007/0244513	A1 *	10/2007	Weizman et al.	.....	606/205

\* cited by examiner

*Primary Examiner*—Prabhakar Deshmukh

(74) *Attorney, Agent, or Firm*—The Eclipse Group LLP

(57) **CLAIM**

I claim the ornamental design for a clevis extension piece, as shown and described.

**DESCRIPTION**

FIG. 1 is a top left perspective view of the clevis extension piece;

FIG. 2 is a top right perspective view thereof;

FIG. 3 is a top view thereof;

FIG. 4 is a left side view thereof;

FIG. 5 is a front view thereof;

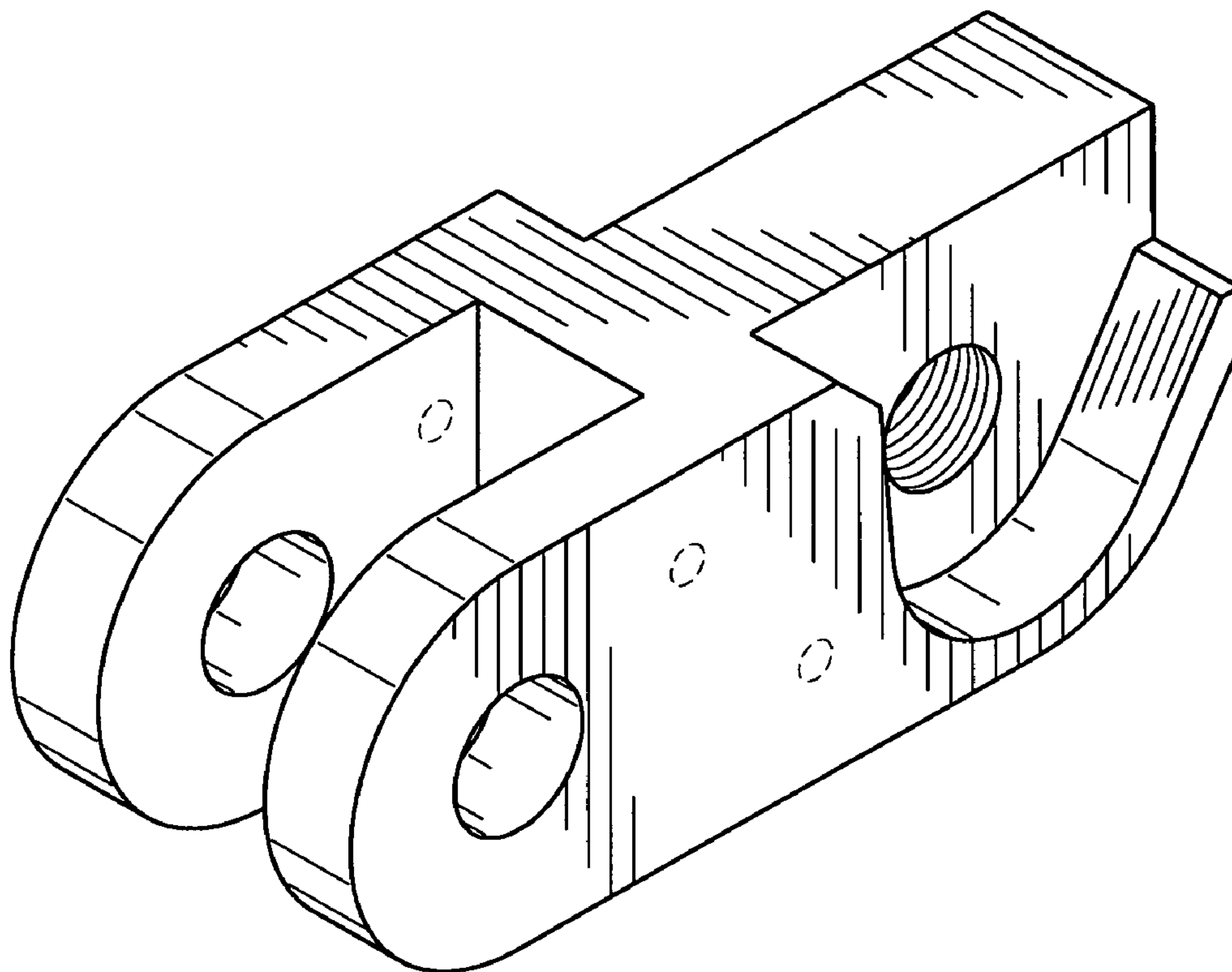
FIG. 6 is a right side view thereof;

FIG. 7 is a rear view thereof; and,

FIG. 8 is a bottom view thereof.

The dashed lines in various figures are for illustrative purposes only and form no part of the claimed design.

**1 Claim, 3 Drawing Sheets**



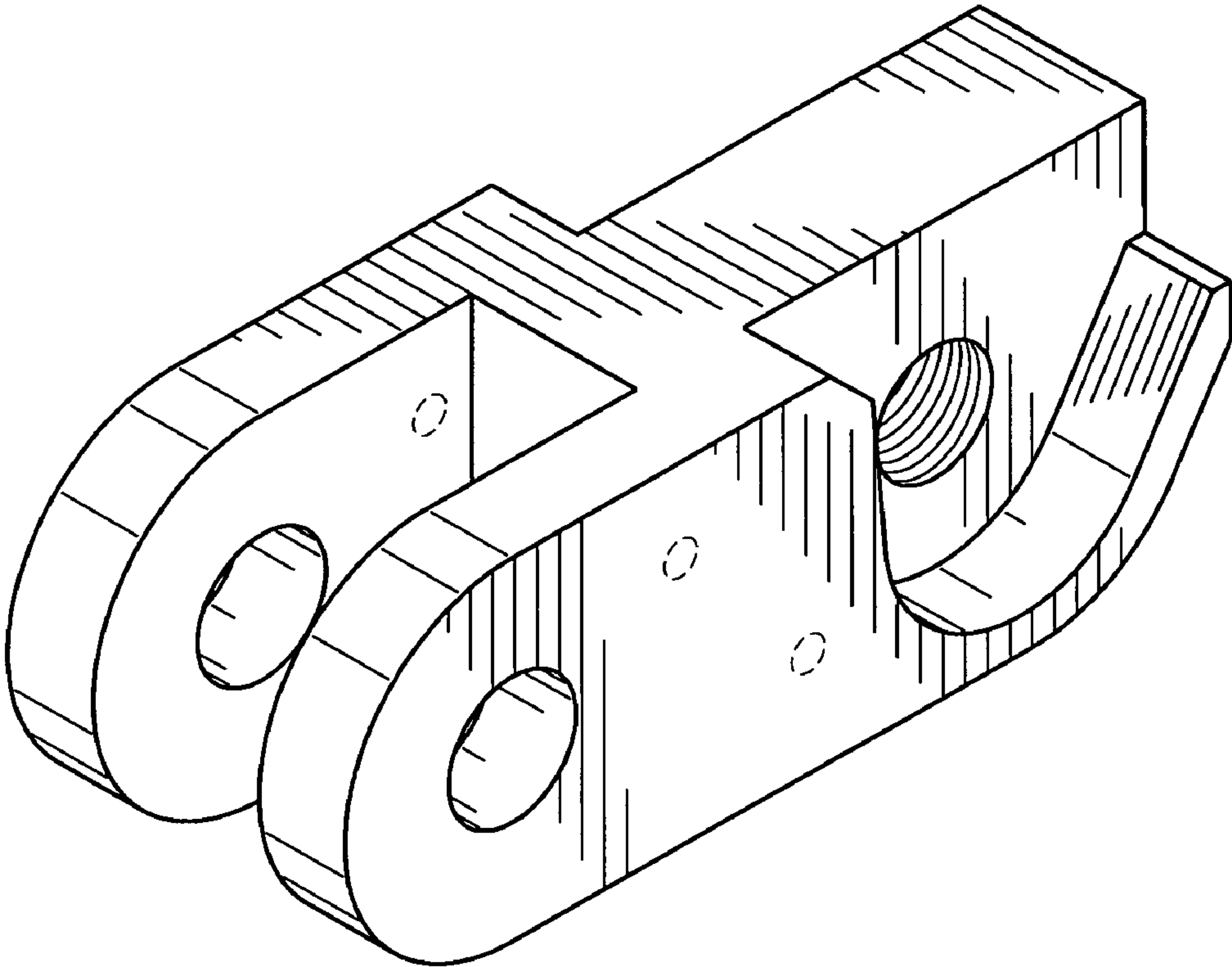


FIG. 1

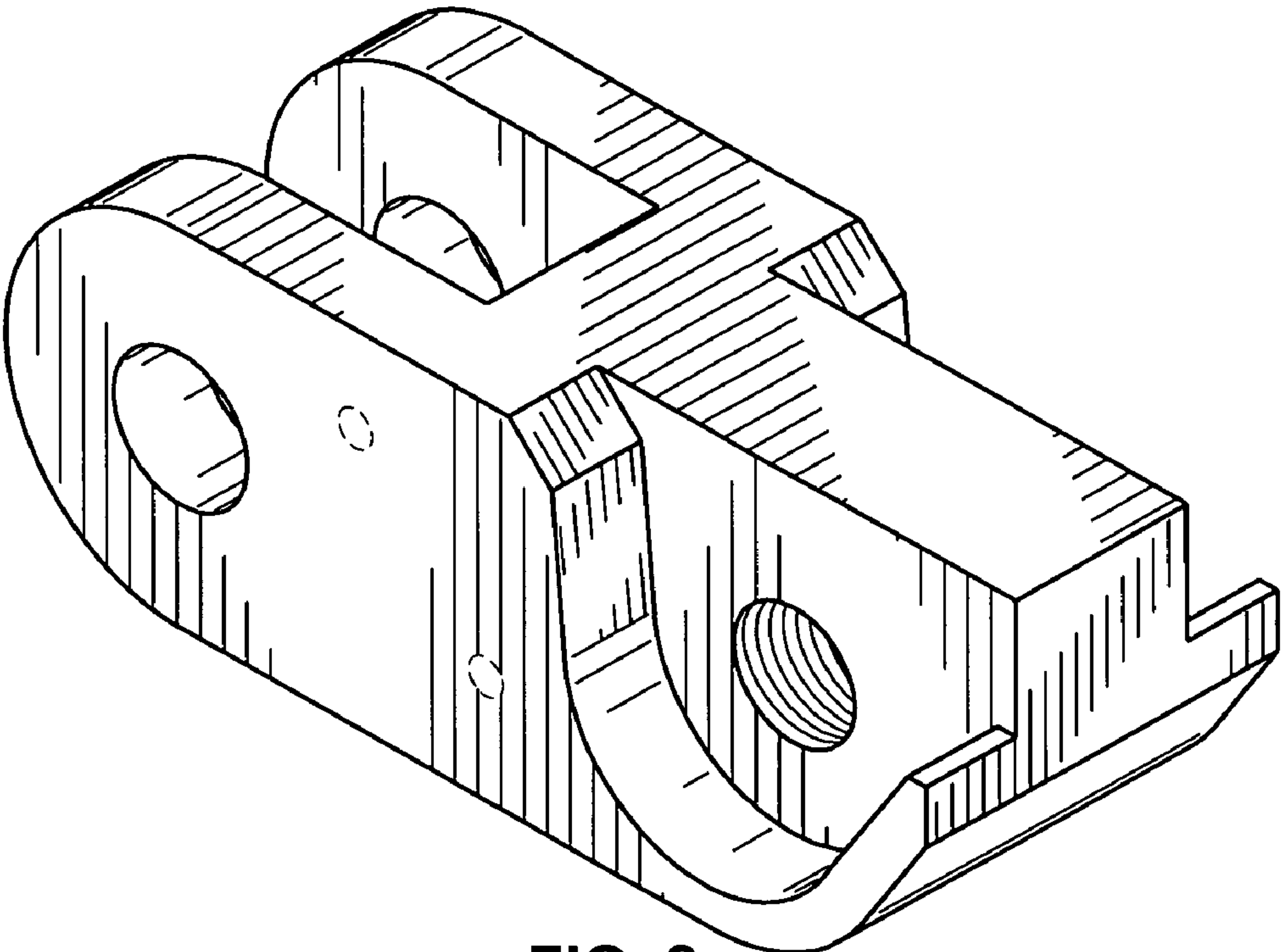


FIG. 2

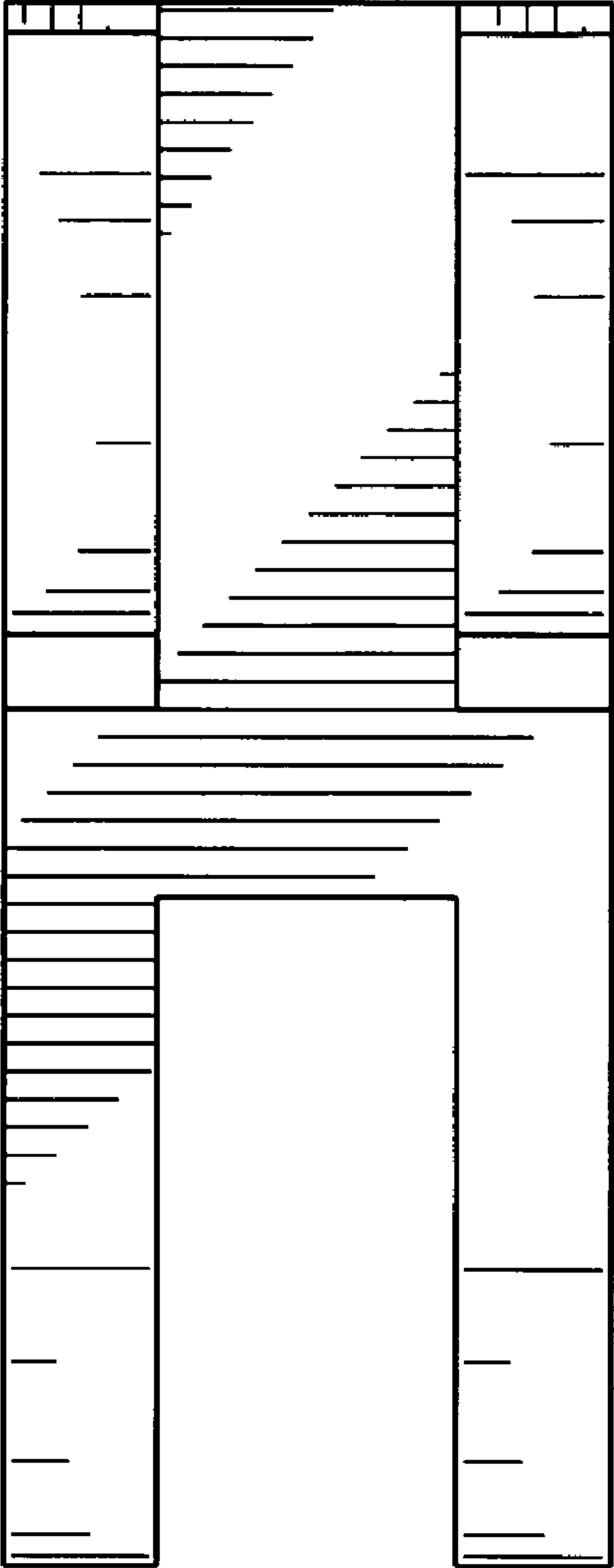


FIG. 3

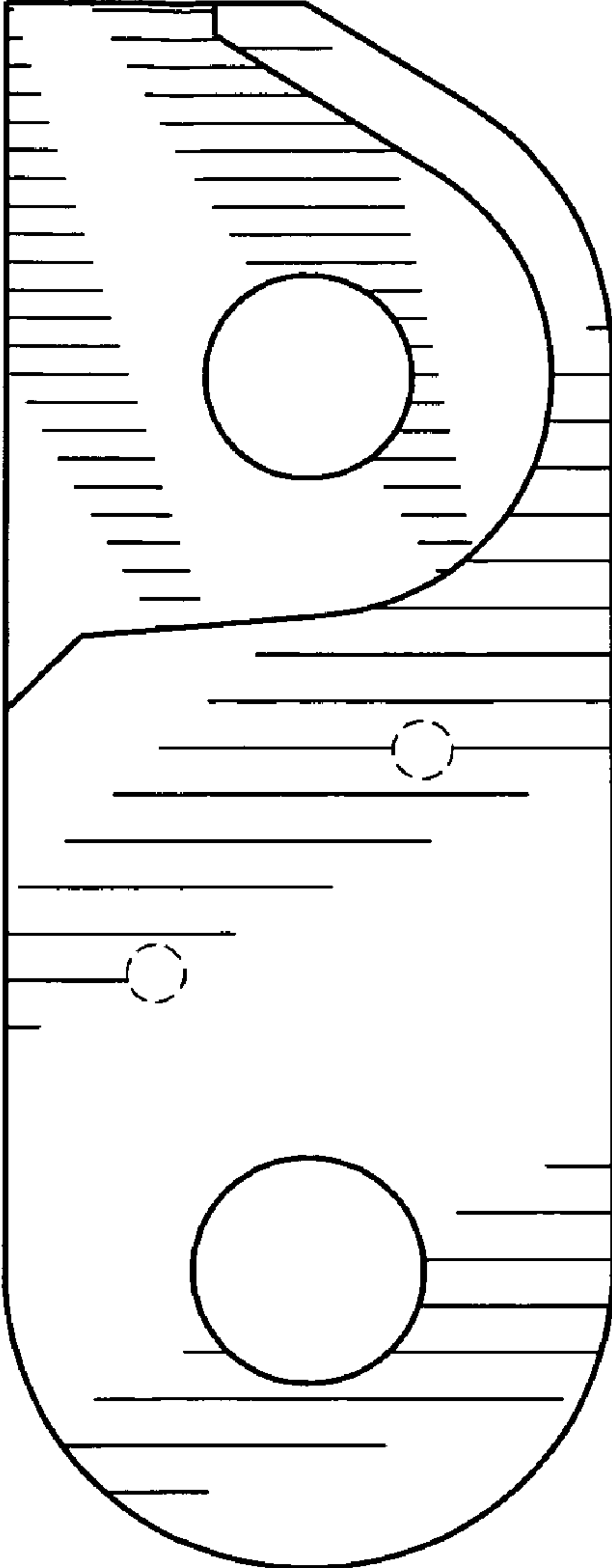


FIG. 5

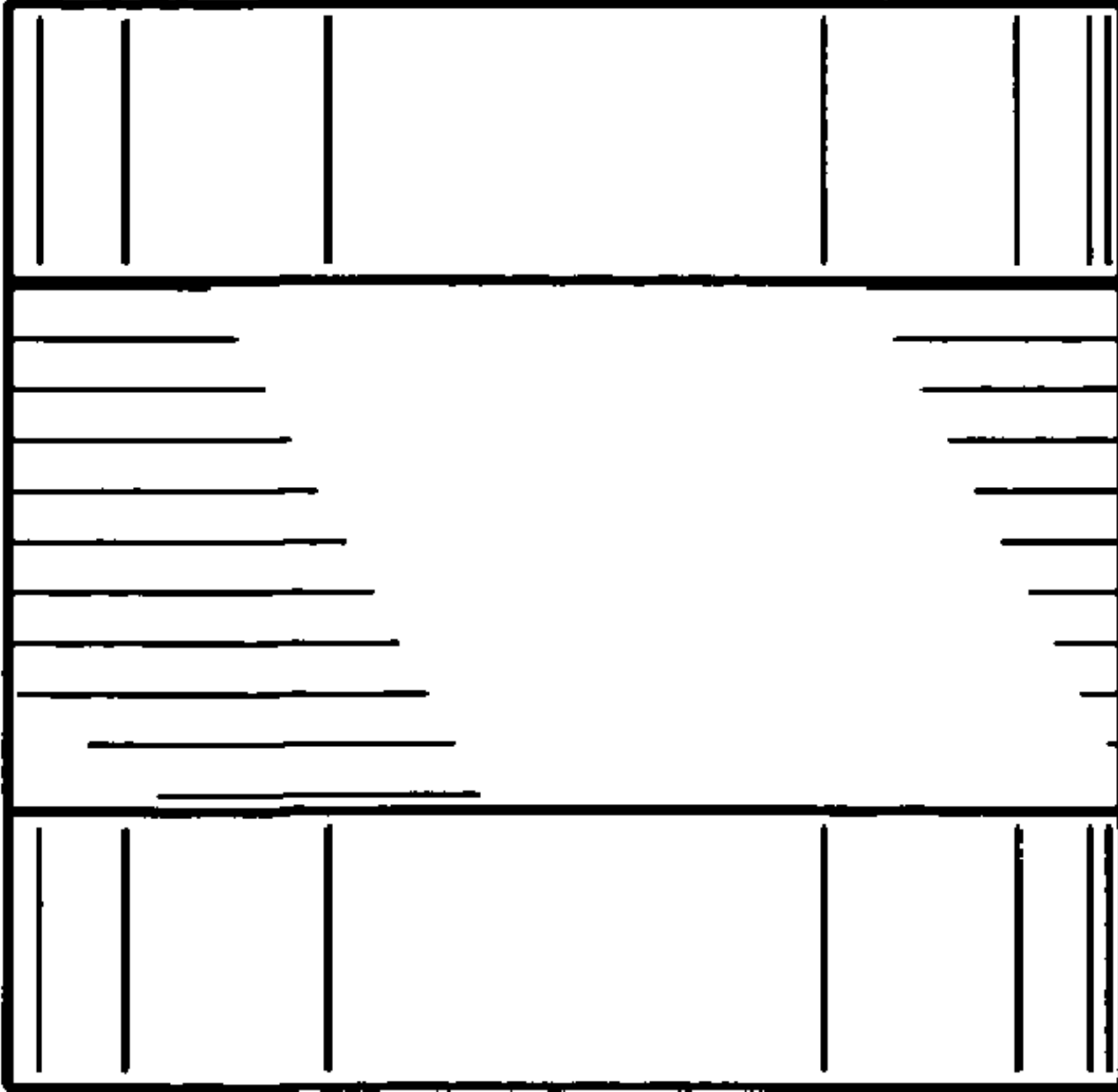


FIG. 4

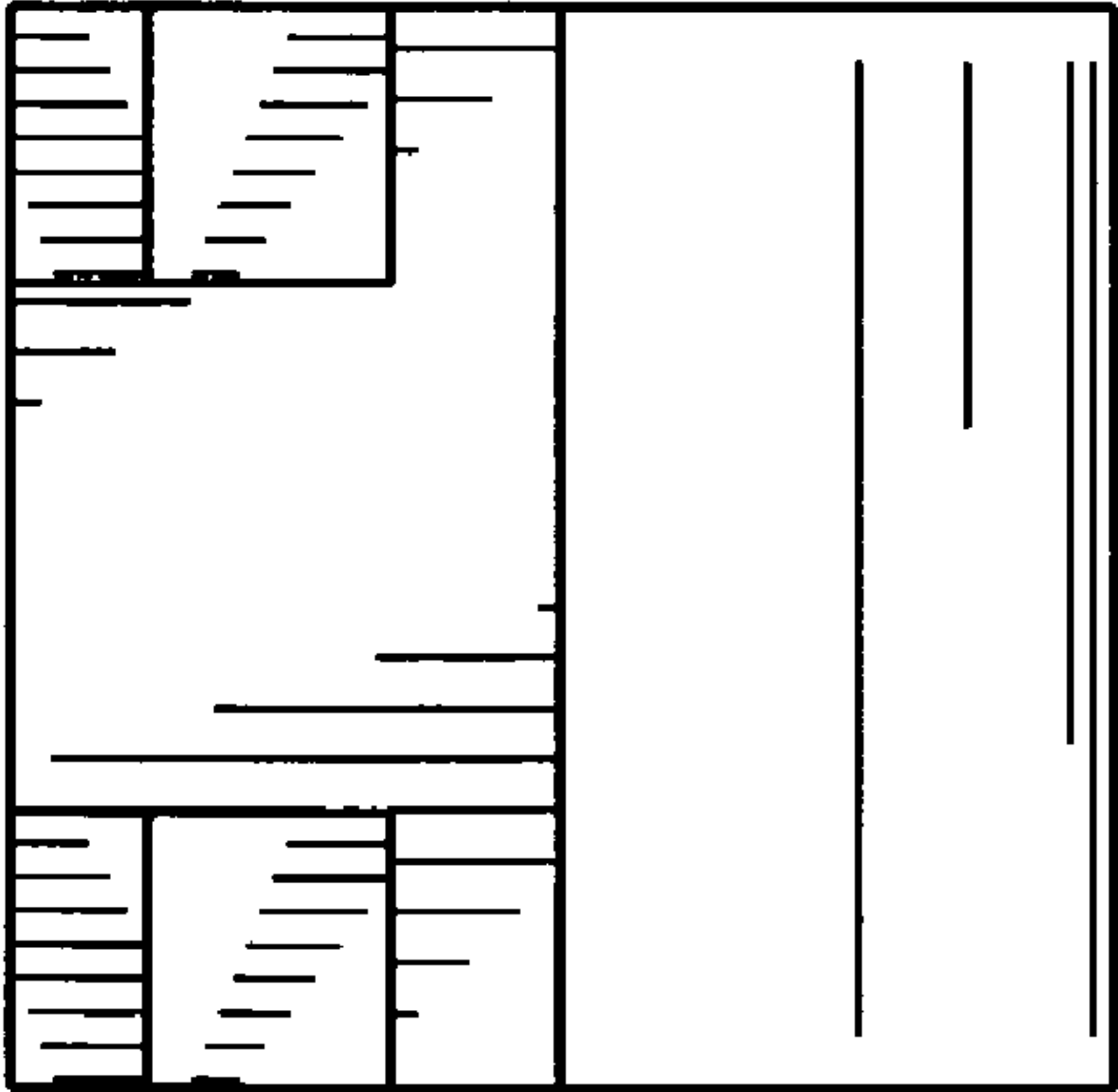


FIG. 6

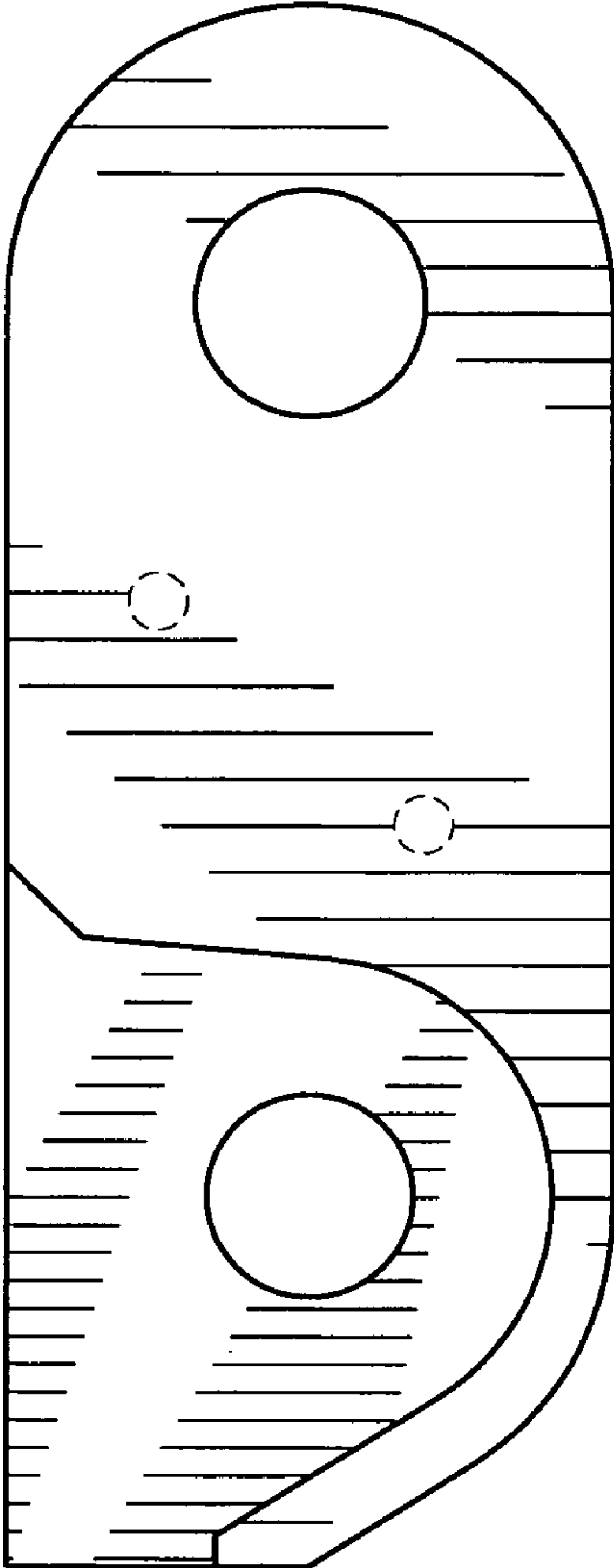


FIG. 7

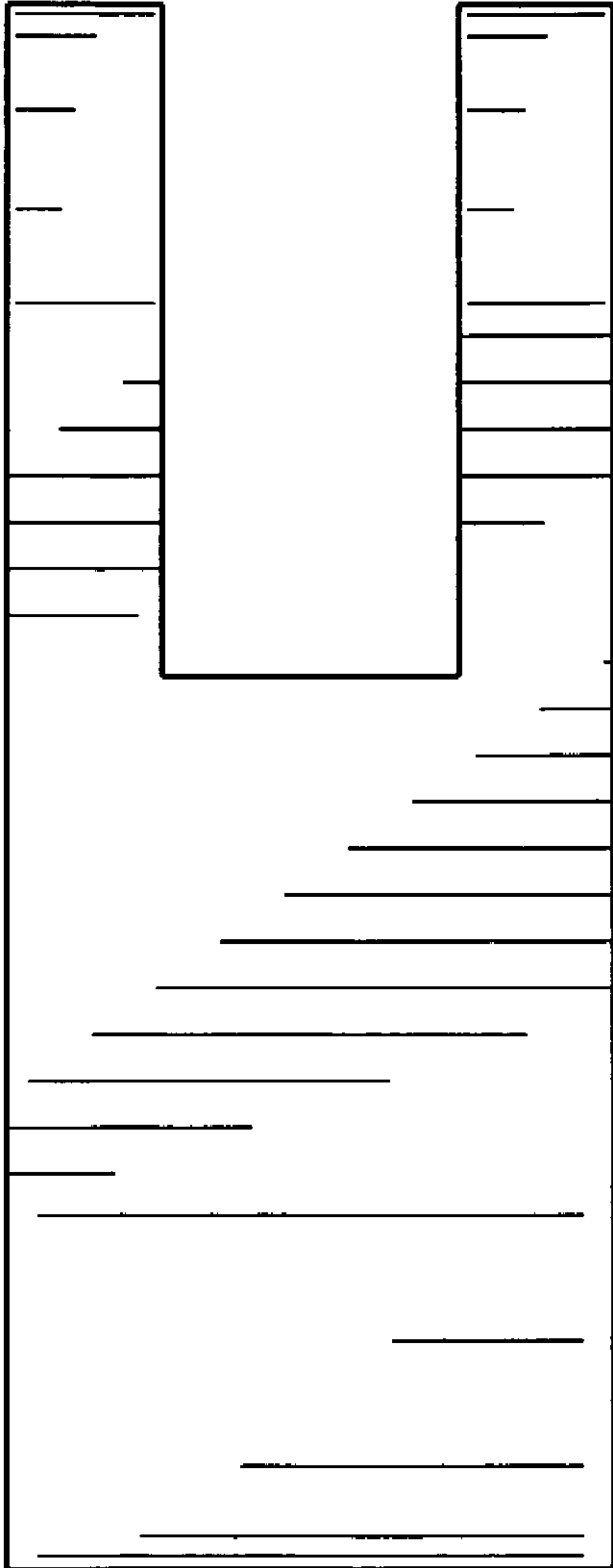


FIG. 8