



US00D615843S

(12) **United States Design Patent**
Grzyb

(10) **Patent No.:** **US D615,843 S**

(45) **Date of Patent:** **** May 18, 2010**

(54) **CAMMED LATCH**

(75) Inventor: **Krzysztof Grzyb**, Aurora, IL (US)

(73) Assignee: **Control Solutions LLC**, Aurora, IL (US)

(**) Term: **14 Years**

(21) Appl. No.: **29/316,809**

(22) Filed: **Nov. 3, 2009**

(51) **LOC (9) Cl.** **08-07**

(52) **U.S. Cl.** **D8/343**

(58) **Field of Classification Search** D8/330,
D8/331, 343, 344, 339, 340, 333; 70/14,
70/51, 52, 124–126, 132, 141, 142, 163,
70/164, 192–197, 201, 202, 229–232, 266,
70/431, DIG. 80; 292/1, 56, 246–250, 95,
292/109, 169, 159, 138, 139, 240, 289, 290,
292/300, 304

See application file for complete search history.

(56) **References Cited**

U.S. PATENT DOCUMENTS

3,566,435 A * 3/1971 Nakamura 16/85
4,160,304 A * 7/1979 Smith et al. 16/49
D378,248 S * 3/1997 Griffin D3/291

D395,995 S * 7/1998 Alonso D8/343
D402,181 S * 12/1998 Hayes D8/343
5,845,360 A * 12/1998 Lantzy 16/84
D416,466 S * 11/1999 Leonowich D8/331
D425,399 S * 5/2000 Alonso D8/343
D425,776 S * 5/2000 Alonso D8/343
D481,293 S * 10/2003 Ayrest D8/331

* cited by examiner

Primary Examiner—Prabhakar Deshmukh

(74) *Attorney, Agent, or Firm*—The Eclipse Group LLP

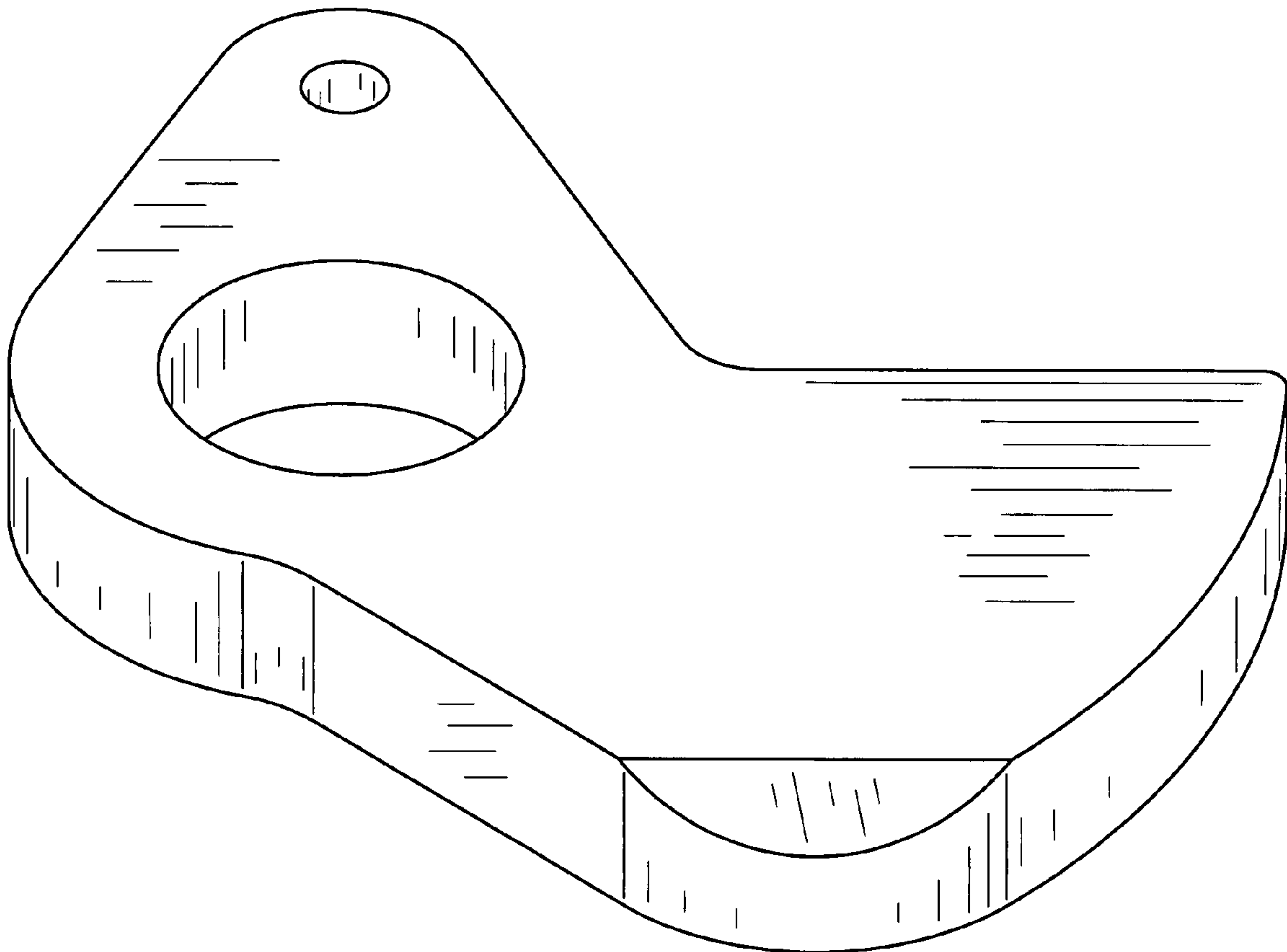
(57) **CLAIM**

I claim the ornamental design for a cammed latch, as shown and described.

DESCRIPTION

FIG. 1 is a top perspective view of the cammed latch;
FIG. 2 is a top view thereof;
FIG. 3 is a left side view thereof;
FIG. 4 is a top edge view thereof;
FIG. 5 is a bottom edge view thereof;
FIG. 6 is a bottom view thereof; and,
FIG. 7 is a right side view thereof.

1 Claim, 3 Drawing Sheets



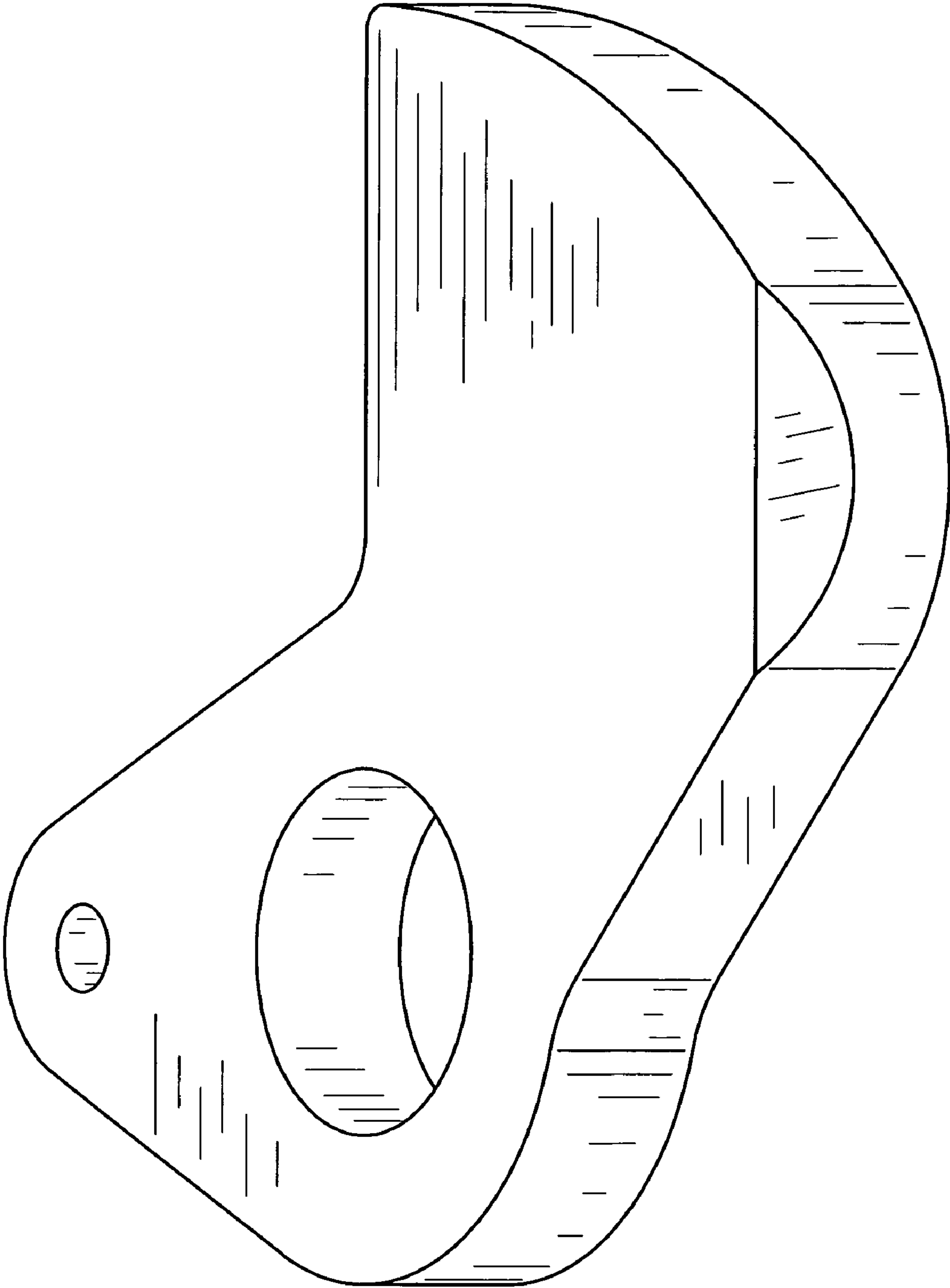


FIG. 1



FIG. 3

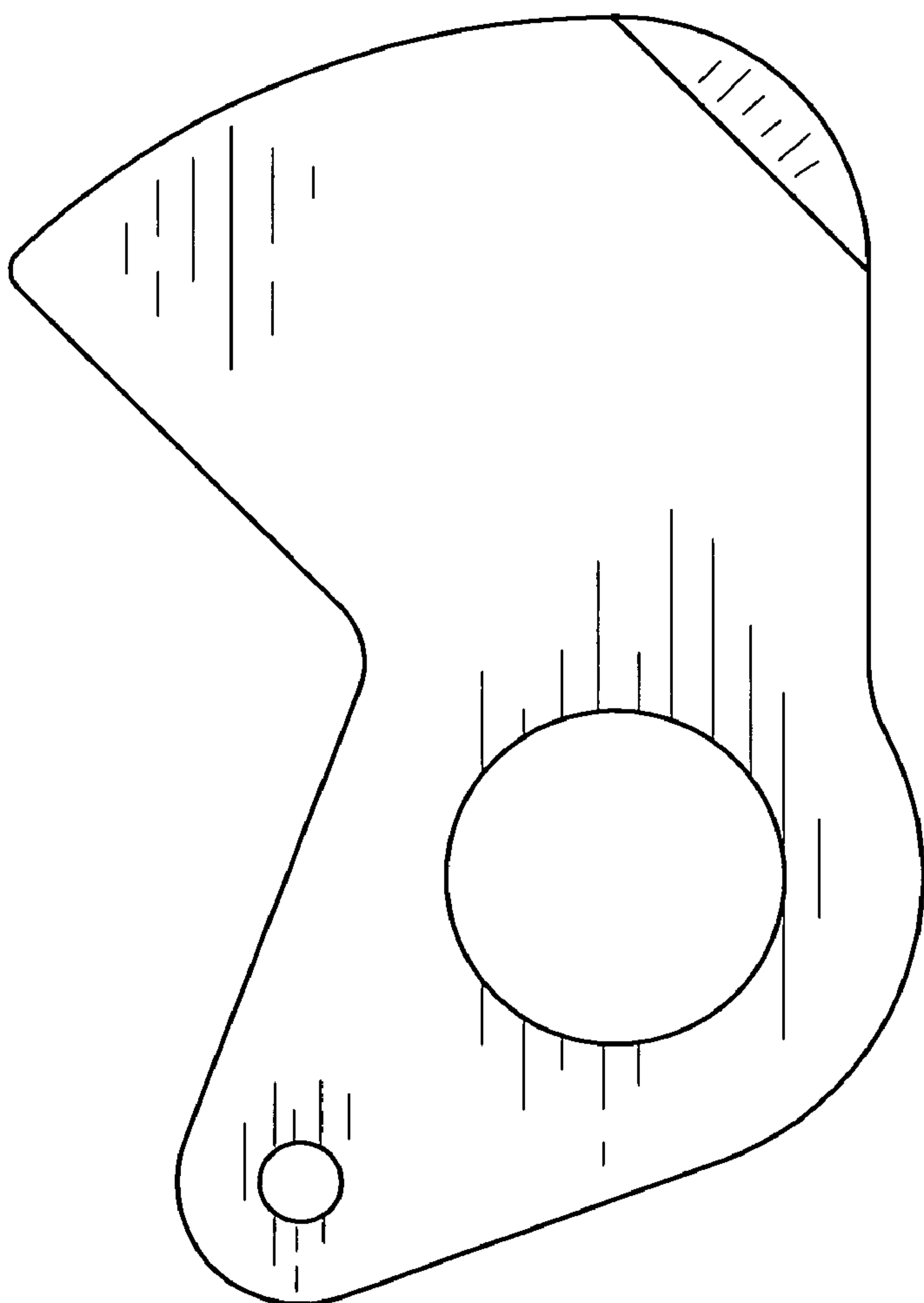


FIG. 2

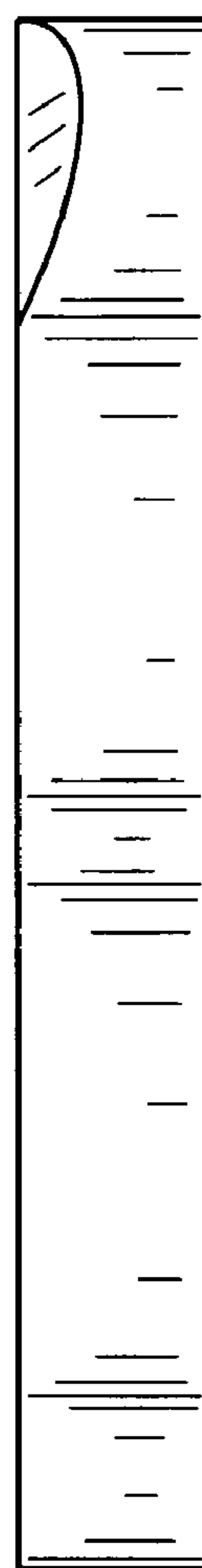


FIG. 4

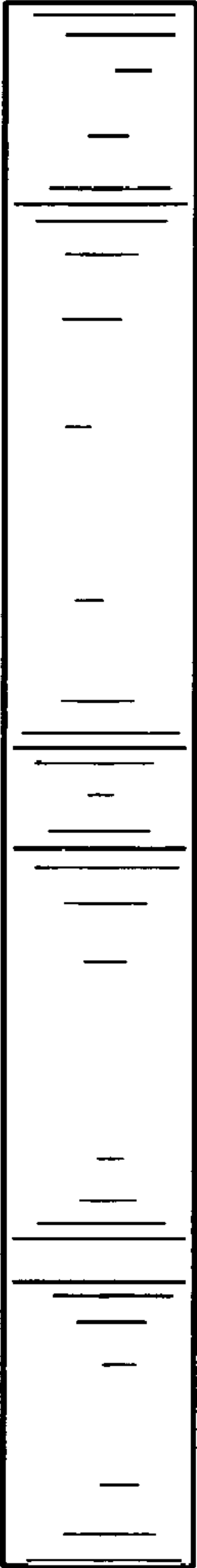


FIG. 5

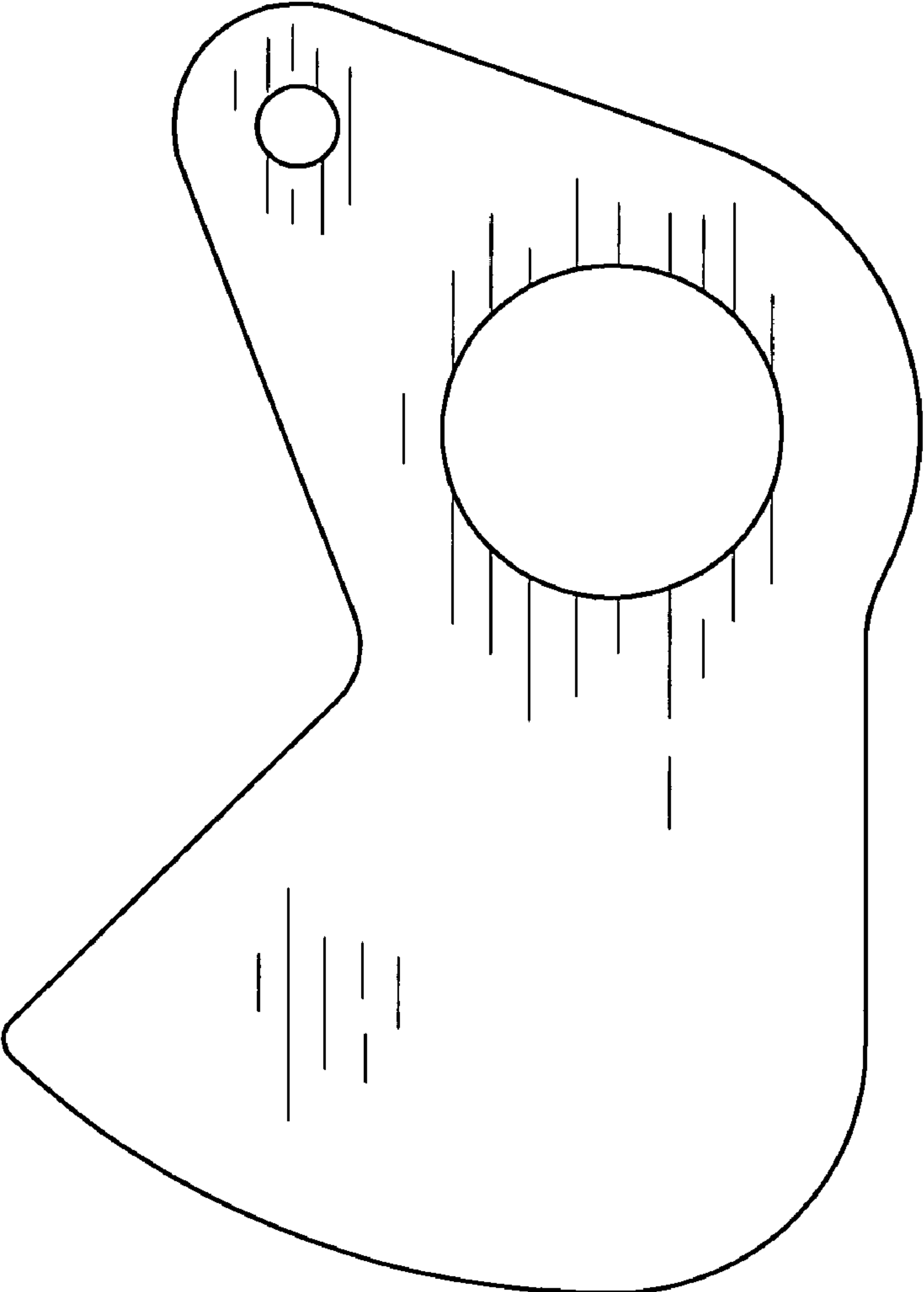


FIG. 6



FIG. 7