



US00D615842S

(12) **United States Design Patent**
Freeman

(10) **Patent No.:** **US D615,842 S**

(45) **Date of Patent:** **** May 18, 2010**

(54) **KEY STORAGE LOCK BOX**

(75) Inventor: **Tim Freeman**, Lynnwood, WA (US)

(73) Assignee: **Frank J. Martin Company**, Lynnwood, WA (US)

(**) Term: **14 Years**

(21) Appl. No.: **29/348,373**

(22) Filed: **Dec. 23, 2009**

(51) **LOC (9) Cl.** **08-07**

(52) **U.S. Cl.** **D8/333; D8/346; D8/330**

(58) **Field of Classification Search** **D8/330-348;**
70/20, 24, 51, 52, 55, 56, 58, 63, 18, 401,
70/429, 430, DIG. 56

See application file for complete search history.

(56) **References Cited**

U.S. PATENT DOCUMENTS

4,609,780	A *	9/1986	Clark	379/102.06
4,727,368	A *	2/1988	Larson et al.	340/5.6
D301,682	S *	6/1989	Gardenswartz	D8/333
5,851,652	A *	12/1998	Jacobson et al.	428/328
6,085,671	A *	7/2000	Kerr et al.	109/51
D472,129	S *	3/2003	Hill et al.	D8/333
D488,048	S *	4/2004	Wasson et al.	D8/333
D495,234	S *	8/2004	Fisher et al.	D8/333
D499,634	S *	12/2004	Dolan et al.	D8/333
D539,633	S *	4/2007	Van Handel	D8/333

OTHER PUBLICATIONS

Risco Partners, LLC; On-Line Store; www.riscopartners.com/files/risco_cart.htm; Sold and offered for sale prior to Dec. 23, 2008; p. 1; Lenexa, Kansas.

* cited by examiner

Primary Examiner—Prabhakar Deshmukh

(74) *Attorney, Agent, or Firm*—Black Lowe & Graham PLLC

(57) **CLAIM**

The ornamental design for a key storage lock box, as shown and described.

DESCRIPTION

FIG. 1 is a front right perspective view of a key storage lock box showing my new design.

FIG. 2 is a front elevational view of a first embodiment of the design with a front cover shown in a closed position.

FIG. 3 is a top plan view thereof. FIG. 4 is a right side elevational view thereof, the left side elevational view being a mirror image.

FIG. 5 is a rear elevational view thereof.

FIG. 6 is a bottom plan view thereof.

FIG. 7 is a front right perspective view thereof showing a cover of the design in an open position.

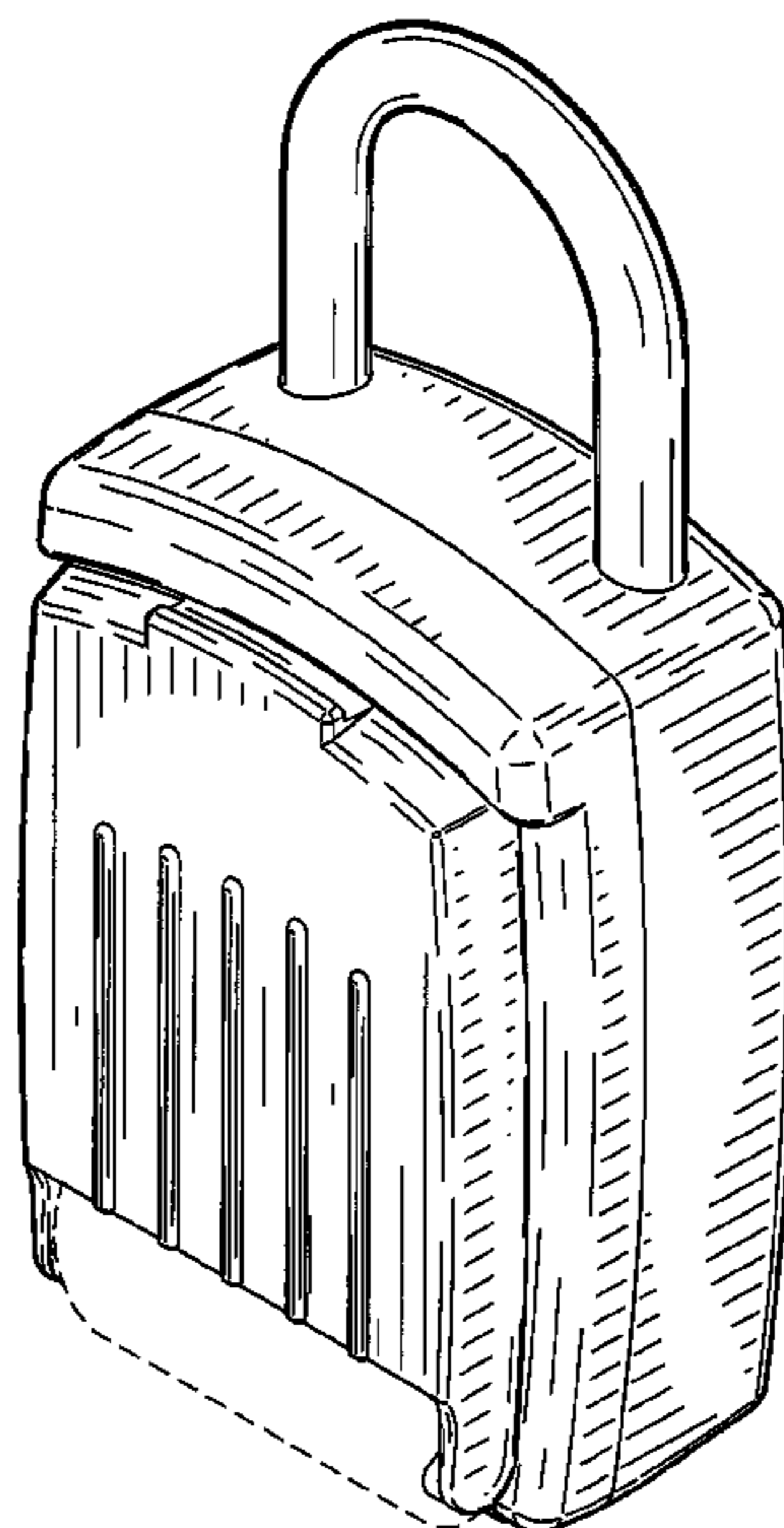
FIG. 8 is a front right perspective view of an alternate embodiment of the design without the front cover.

FIG. 9 is a front elevational view of the alternate embodiment; and,

FIG. 10 is a right side elevational view of the alternate embodiment, the left side view being a mirror image thereof, the top and bottom plan and rear elevational views being the same as shown with respect to the first embodiment.

The portions of the design shown in phantom lines form no part of the claimed invention.

1 Claim, 7 Drawing Sheets



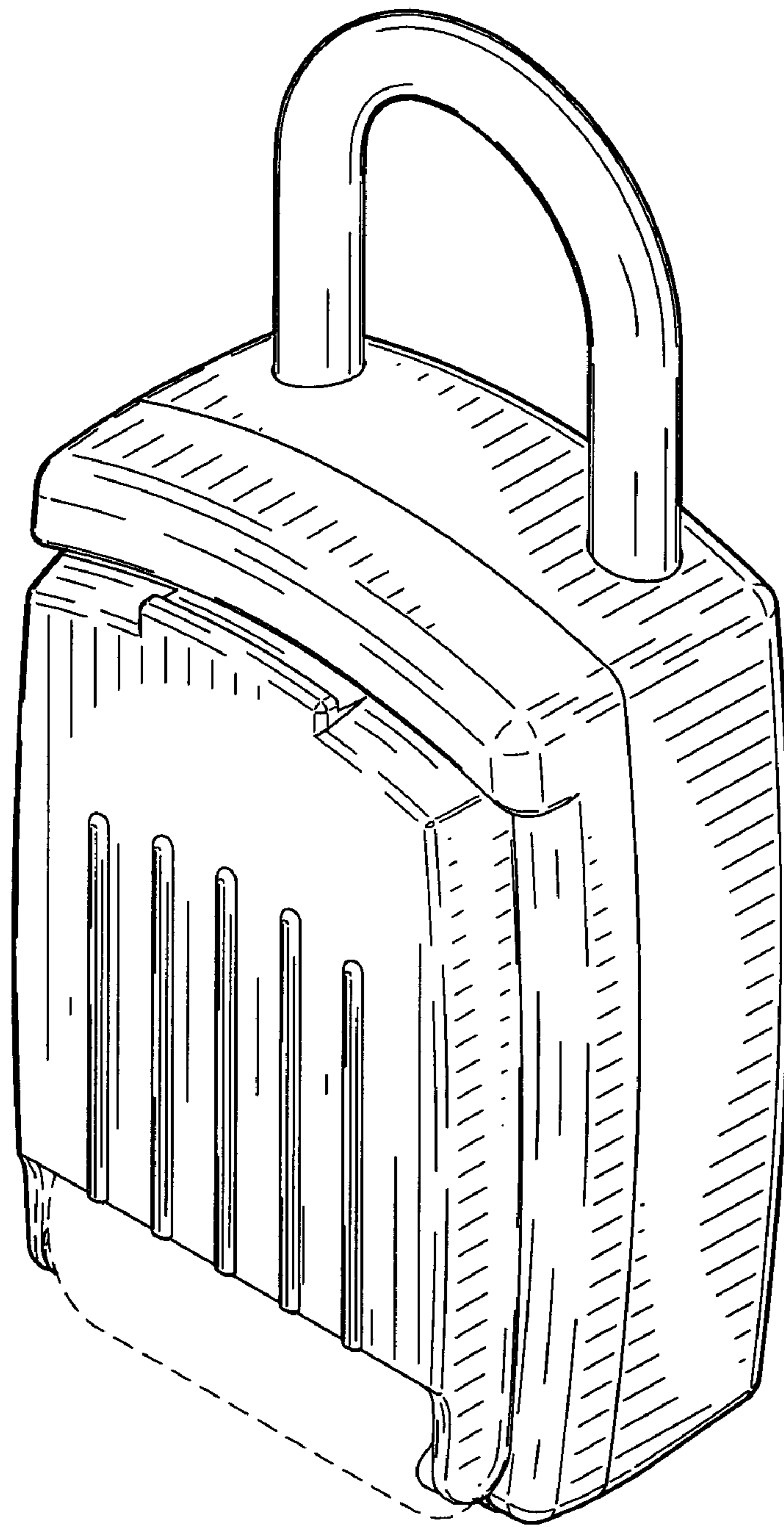


FIG. 1

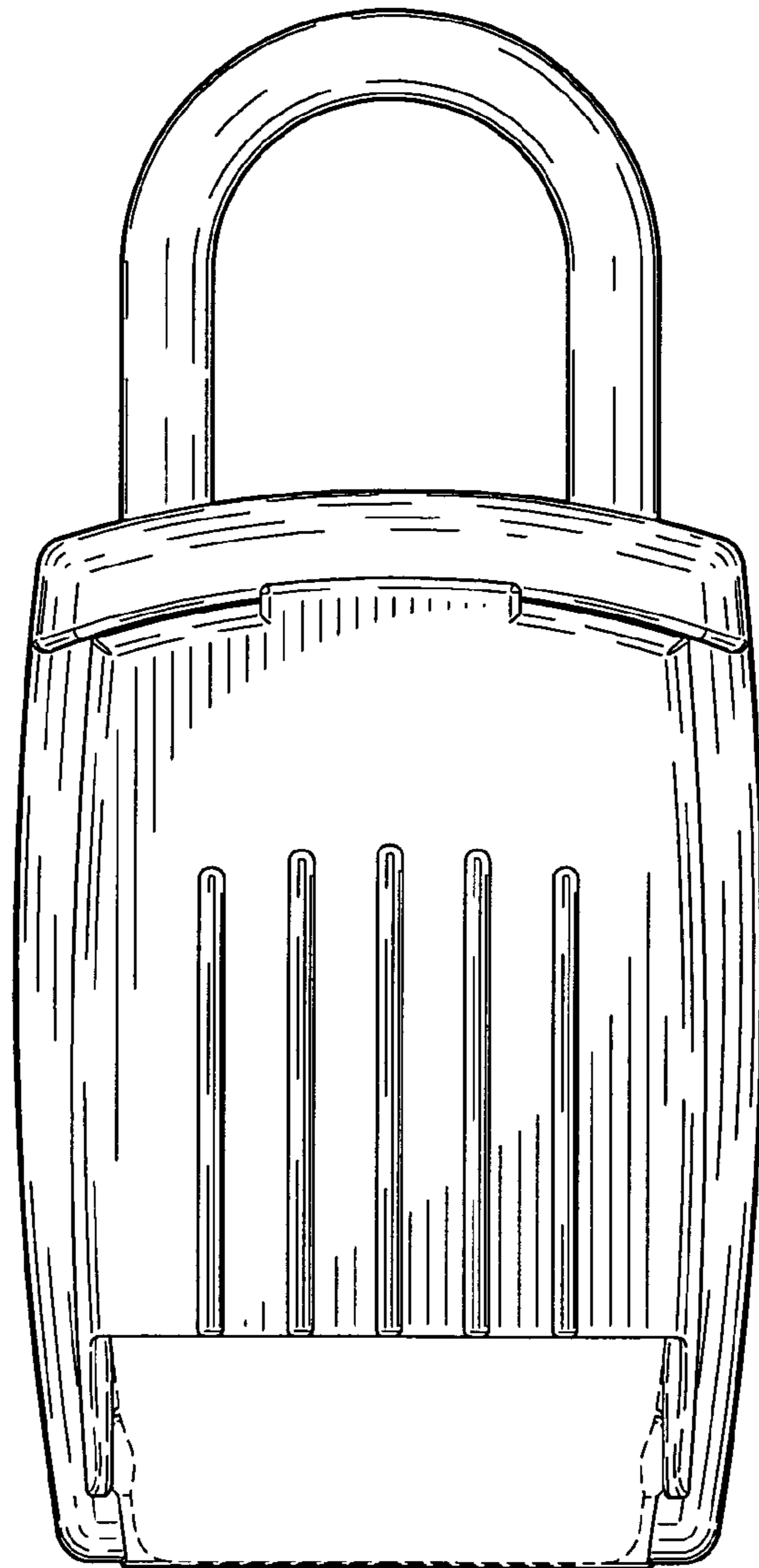


FIG. 2

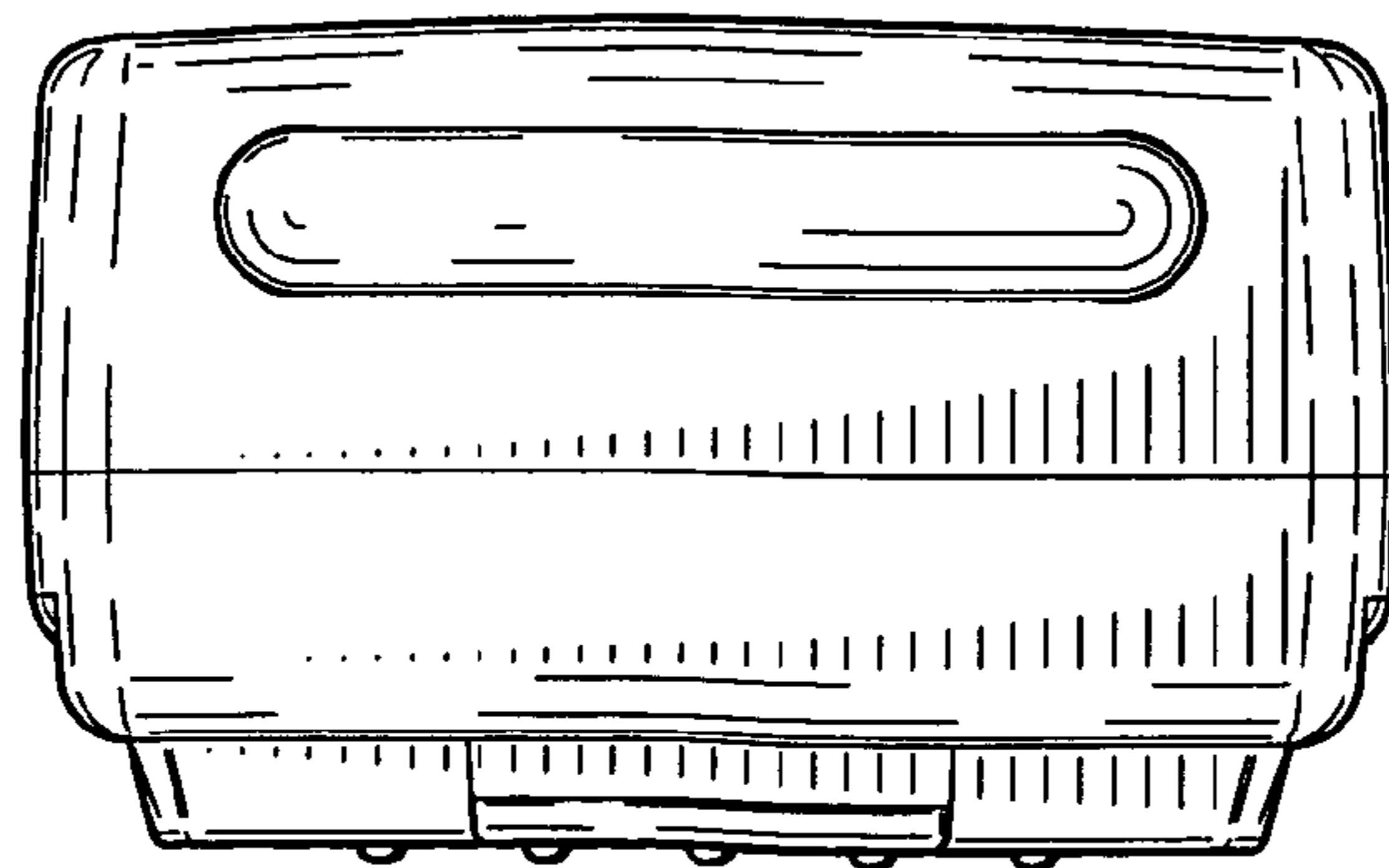


FIG. 3

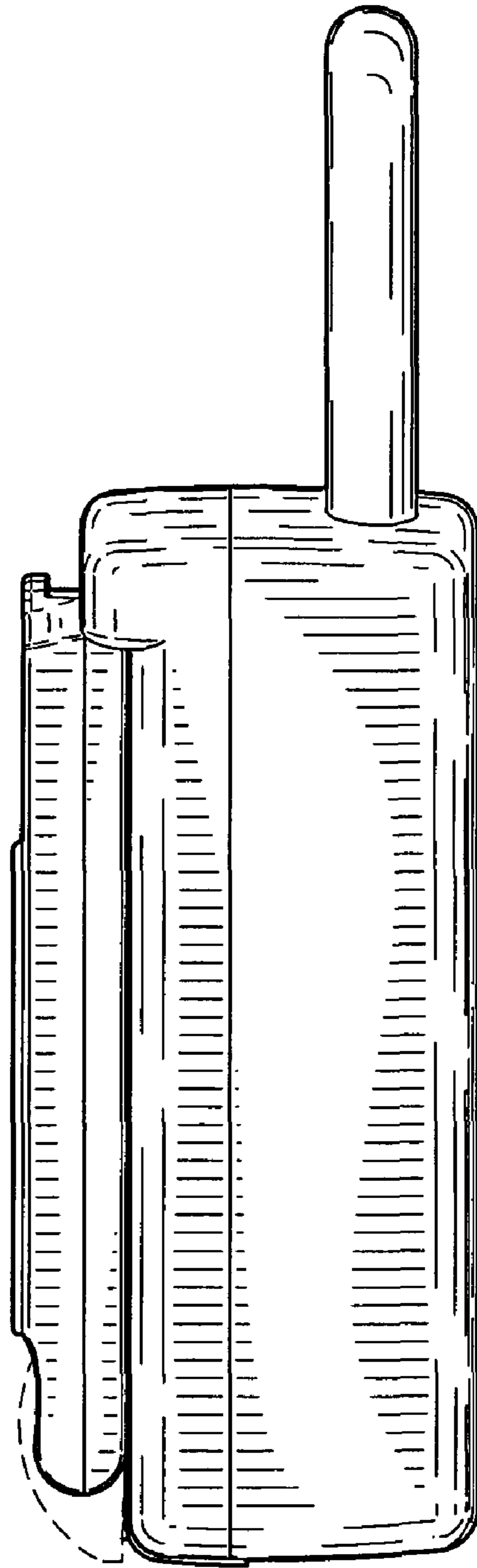


FIG. 4

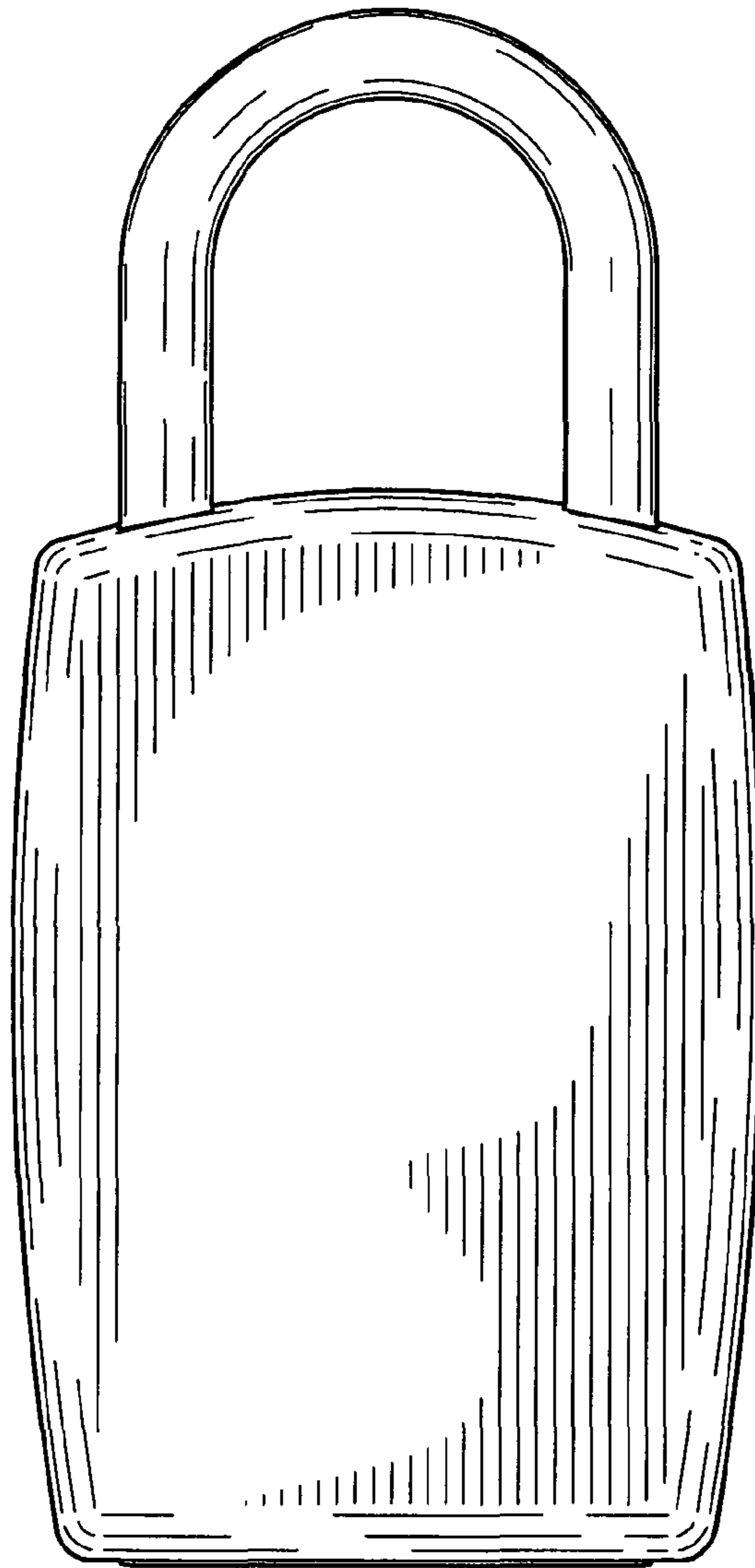


FIG. 5

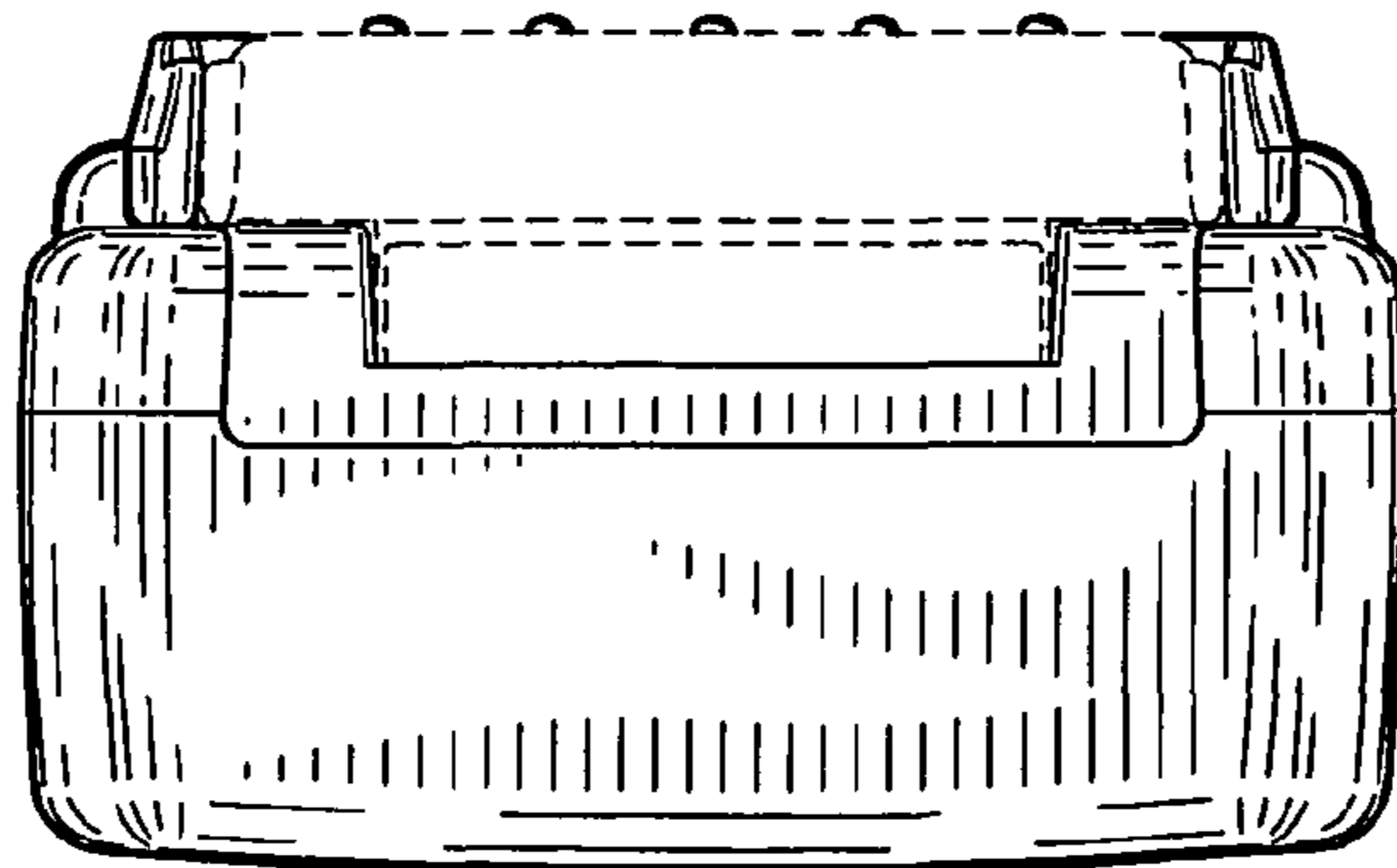


FIG. 6

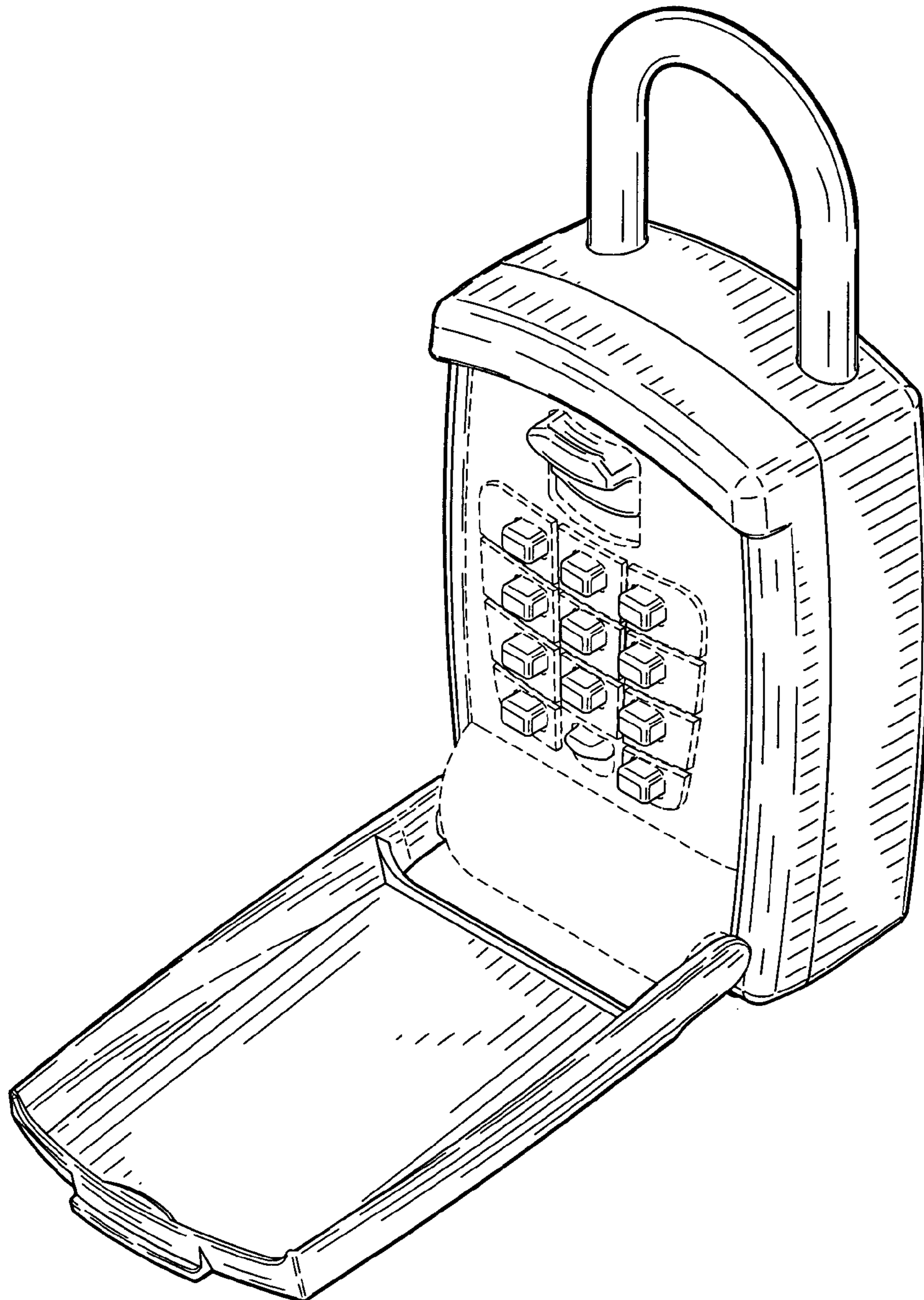


FIG. 7

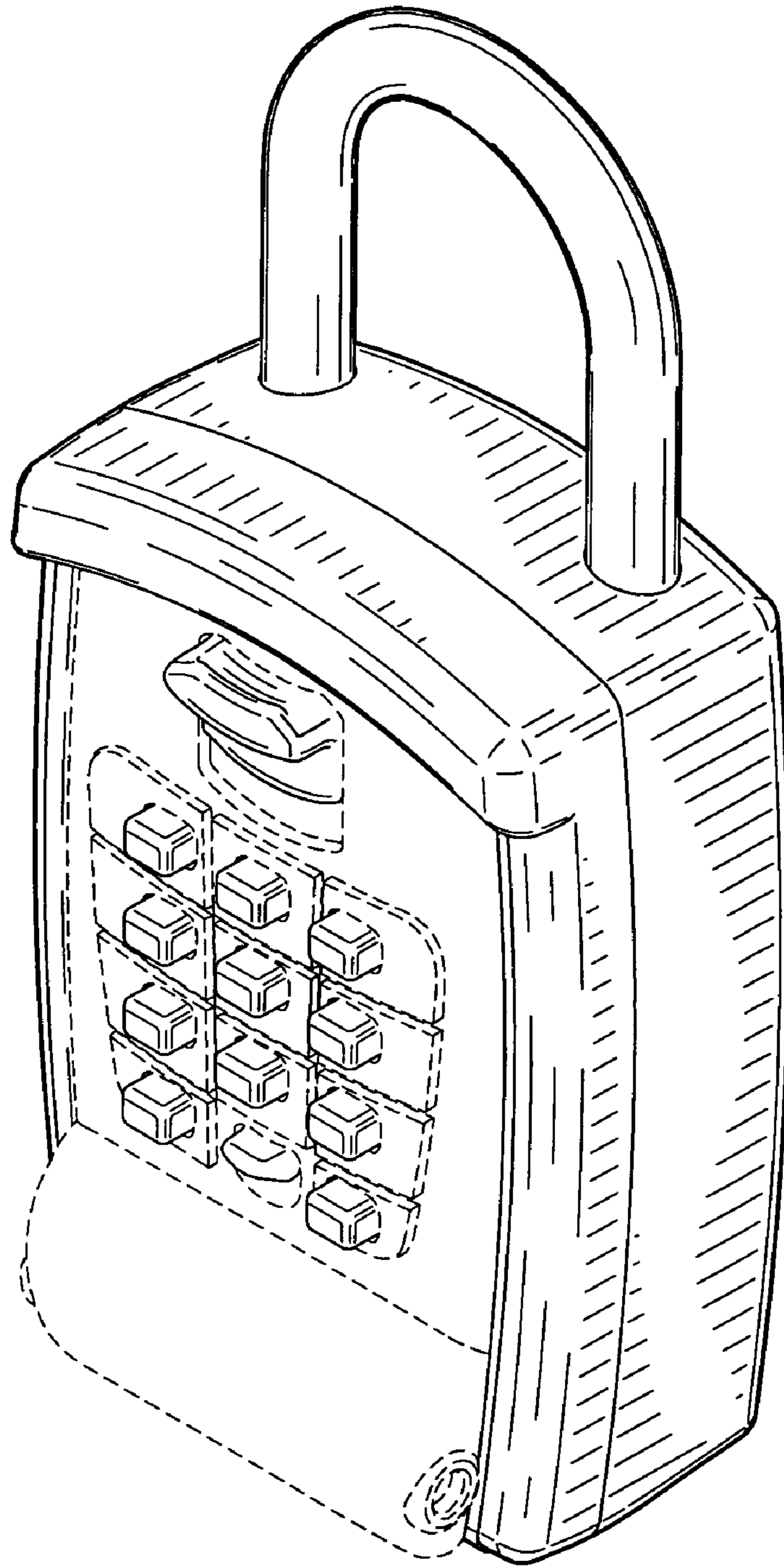


FIG. 8

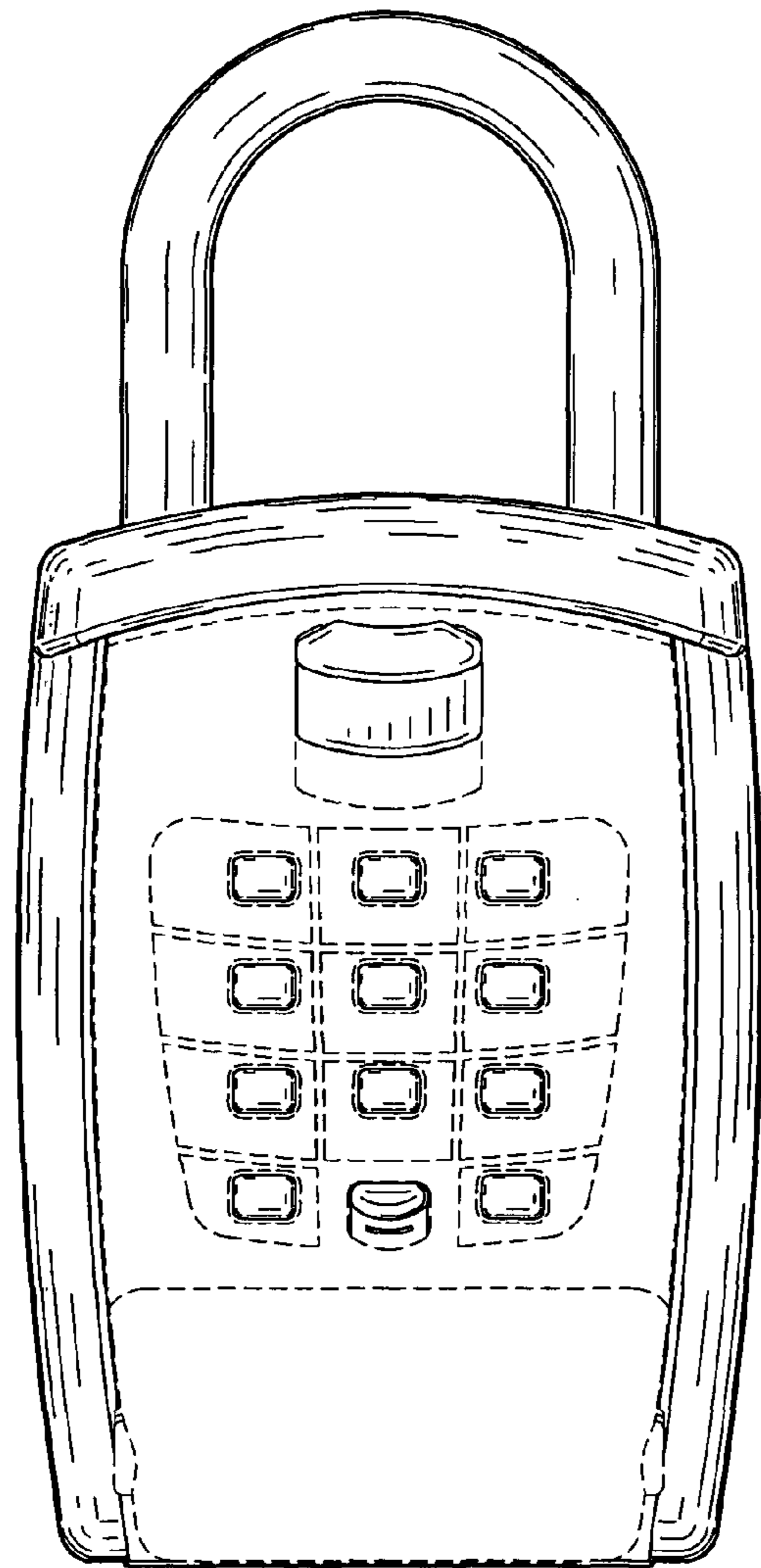


FIG. 9

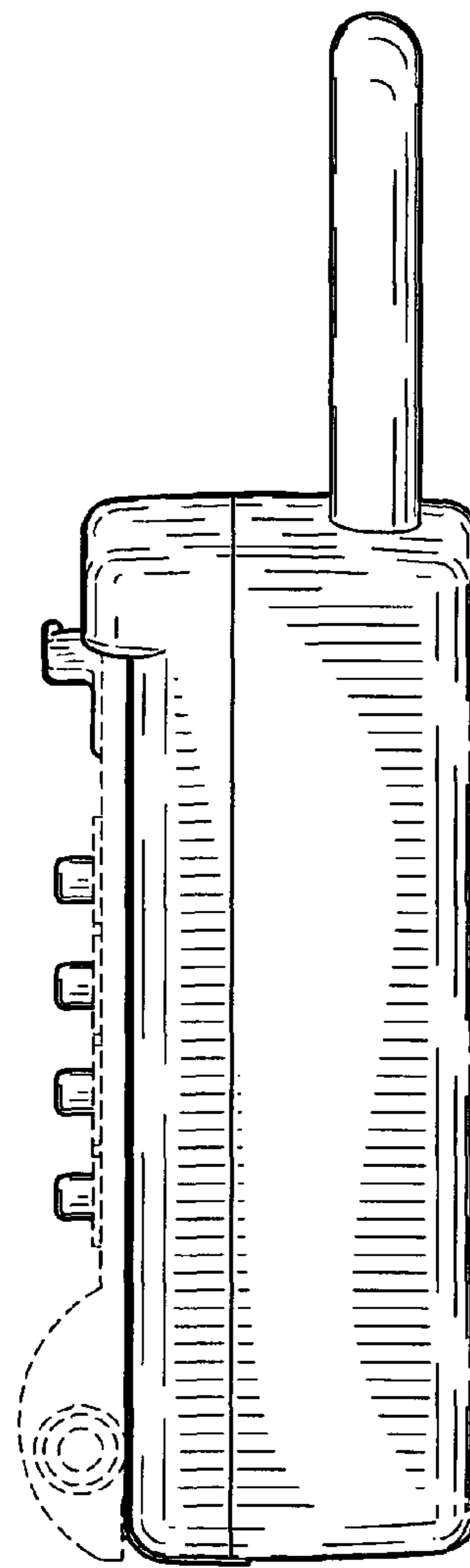


FIG. 10