



US00D615840S

(12) **United States Design Patent**
Copper et al.

(10) **Patent No.:** **US D615,840 S**

(45) **Date of Patent:** **** *May 18, 2010**

(54) **HOT STICK TOOL ASSEMBLY**

(75) Inventors: **Charles Dudley Copper**,
Hummelstown, PA (US); **Barry James
Johnson**, Vaughan (CA); **Dmitry Ladin**,
Thornhill (CA)

(73) Assignees: **Tyco Electronics Corporation**, Berwyn,
PA (US); **Tyco Electronics Canada
ULC**, Markham, Ontario (CA)

(*) Notice: This patent is subject to a terminal dis-
claimer.

(**) Term: **14 Years**

(21) Appl. No.: **29/321,555**

(22) Filed: **Jul. 18, 2008**

(51) **LOC (9) Cl.** **08-05**

(52) **U.S. Cl.** **D8/72**

(58) **Field of Classification Search** D8/71-74,
D8/394-397, 354, 355, 356, 24, 25, 27, 29;
248/62, 313; 269/3, 6, 143, 165, 240, 249;
81/355, 356, 353, 487, 476, 427.5; 29/257,
29/276; D24/128; D23/265

See application file for complete search history.

(56) **References Cited**

U.S. PATENT DOCUMENTS

2,868,051 A * 1/1959 Dupre et al. 81/427.5
D355,104 S * 2/1995 Sorensen et al. D8/72
D365,263 S * 12/1995 Sorensen et al. D8/72
D365,512 S * 12/1995 Mason D8/394

D438,441 S * 3/2001 Nagai et al. D8/72
D440,853 S * 4/2001 Welsh et al. D8/73
D474,093 S * 5/2003 Chang D8/71
D481,604 S * 11/2003 Woodruff D8/71
D544,328 S * 6/2007 Ranieri D8/72
D565,388 S * 4/2008 Concari D8/355
D567,618 S * 4/2008 Agronin et al. D8/71
D572,120 S * 7/2008 Concari D8/355
D576,464 S * 9/2008 Franks, Jr. D8/72

* cited by examiner

Primary Examiner—T. Chase Nelson
Assistant Examiner—David G Muller

(57) **CLAIM**

The ornamental design for a hot stick tool assembly, as shown
and described.

DESCRIPTION

FIG. 1 is a perspective view of a hot stick tool assembly
showing the new design.

FIG. 2 is a right side view thereof.

FIG. 3 is a left side view thereof.

FIG. 4 is a front view thereof.

FIG. 5 is a rear view thereof.

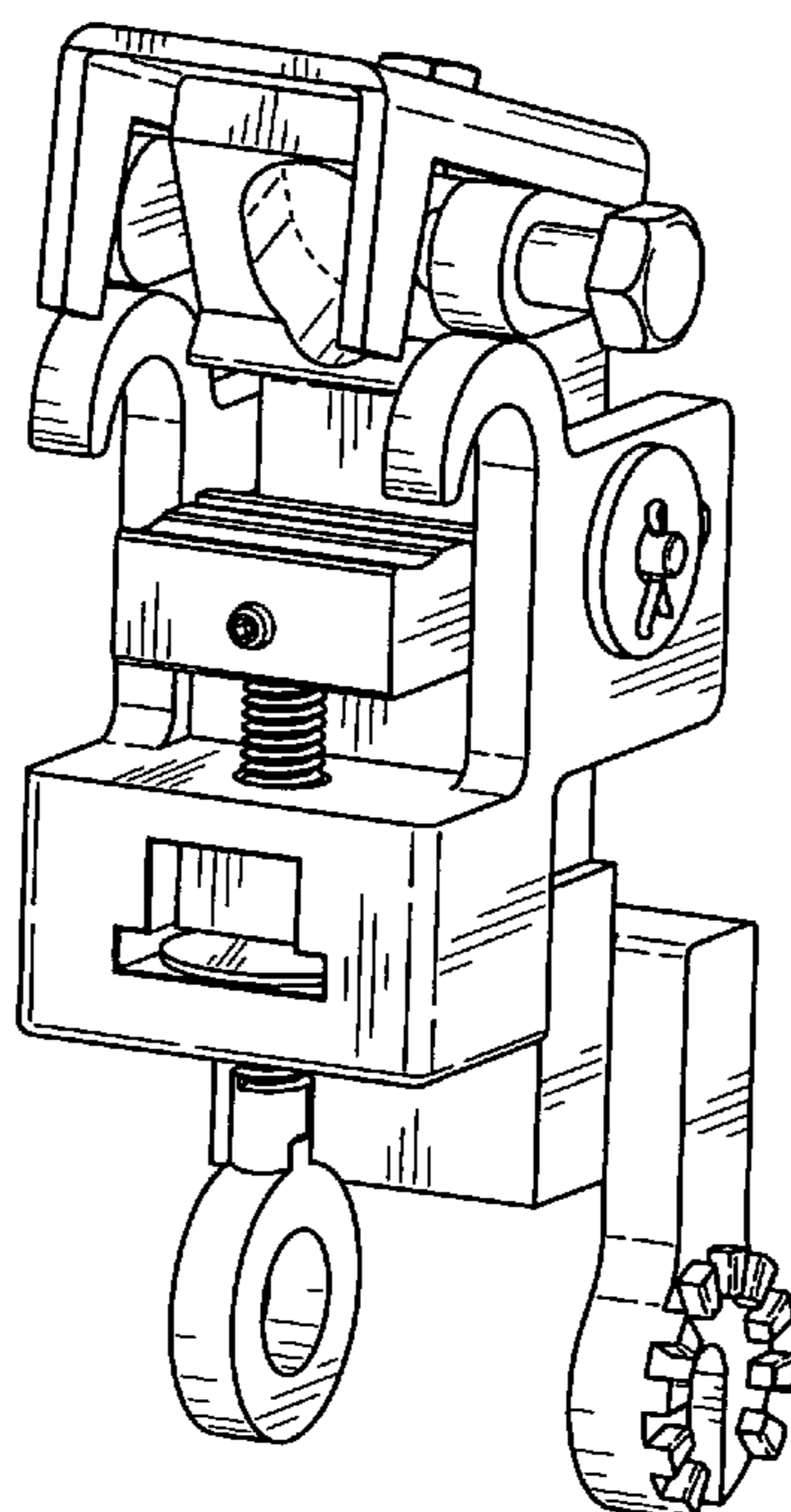
FIG. 6 is a top view thereof.

FIG. 7 is a bottom view thereof; and,

FIG. 8 is a reverse perspective view thereof.

The broken lines depict portions of the hot stick tool assembly
that form no part of the claimed design.

1 Claim, 4 Drawing Sheets



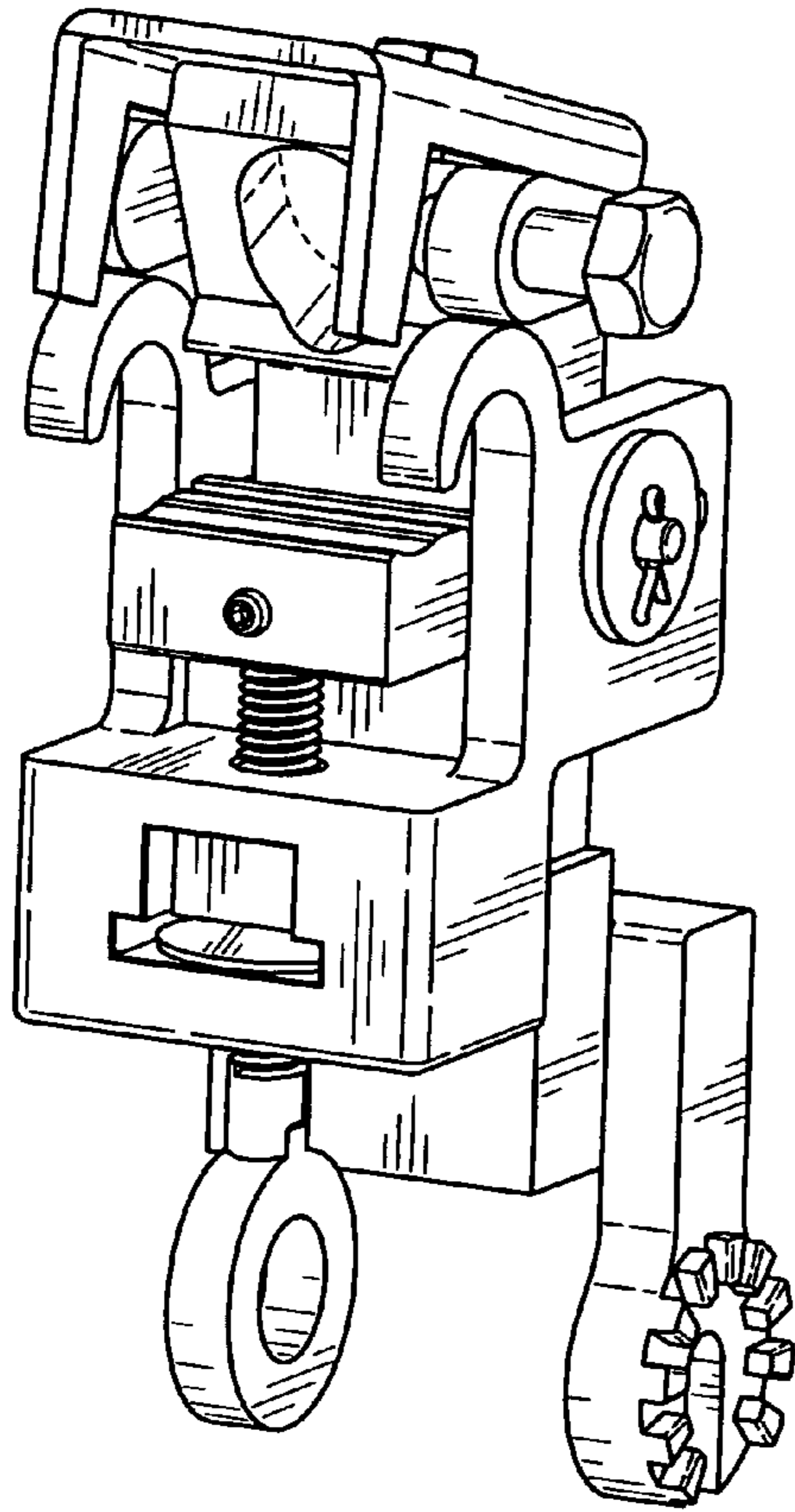


FIG. 1

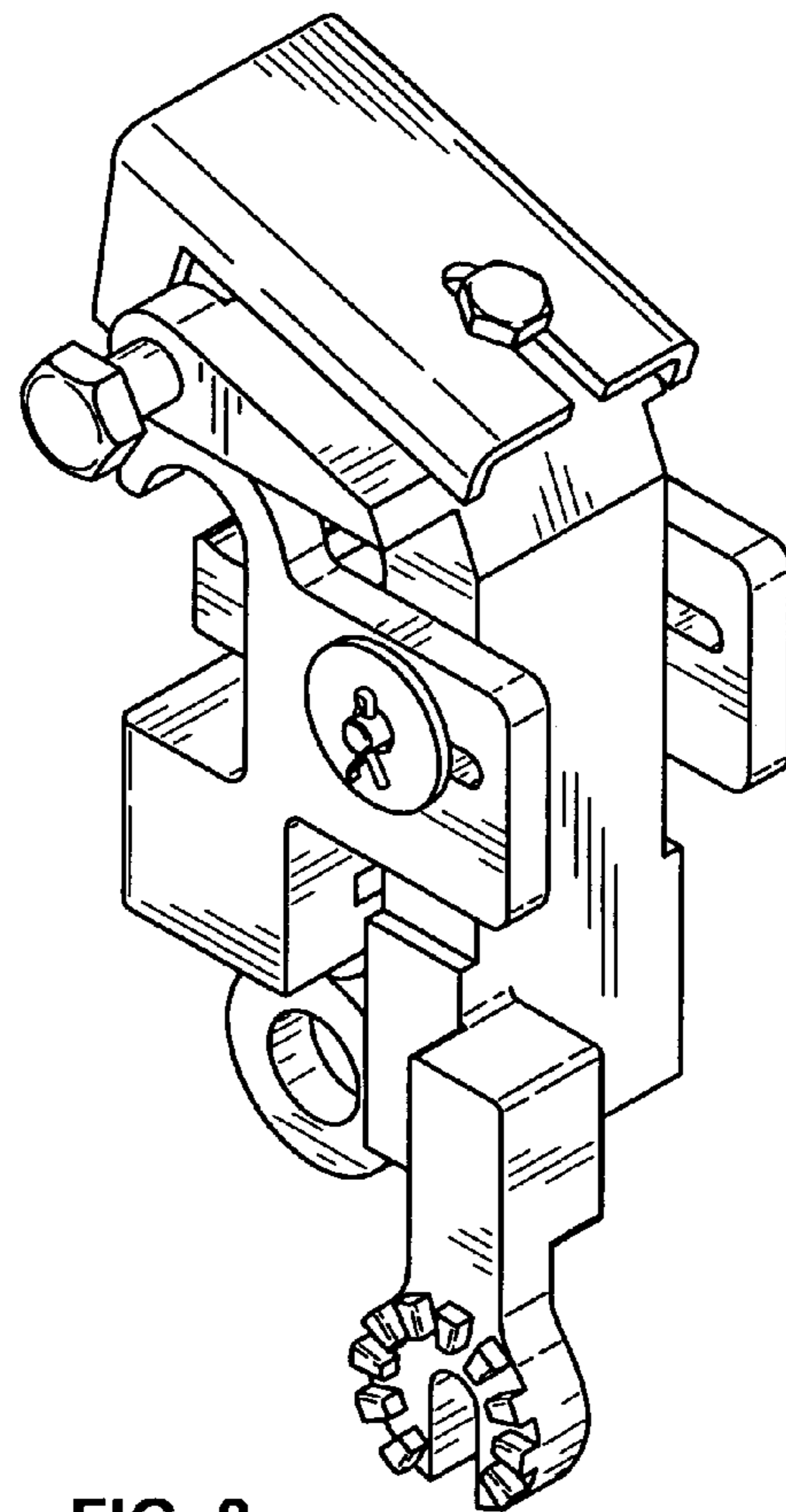


FIG. 8

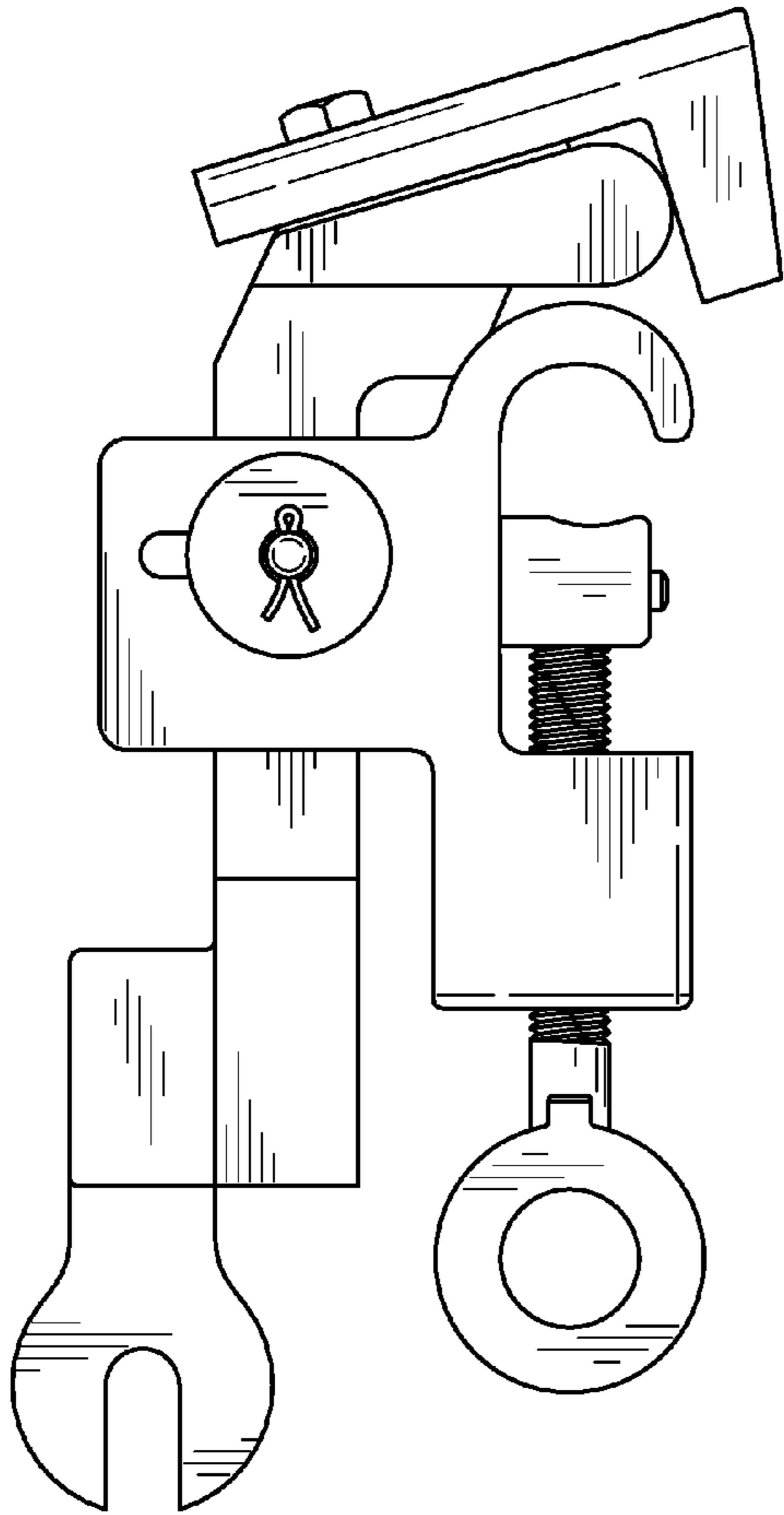


FIG. 2

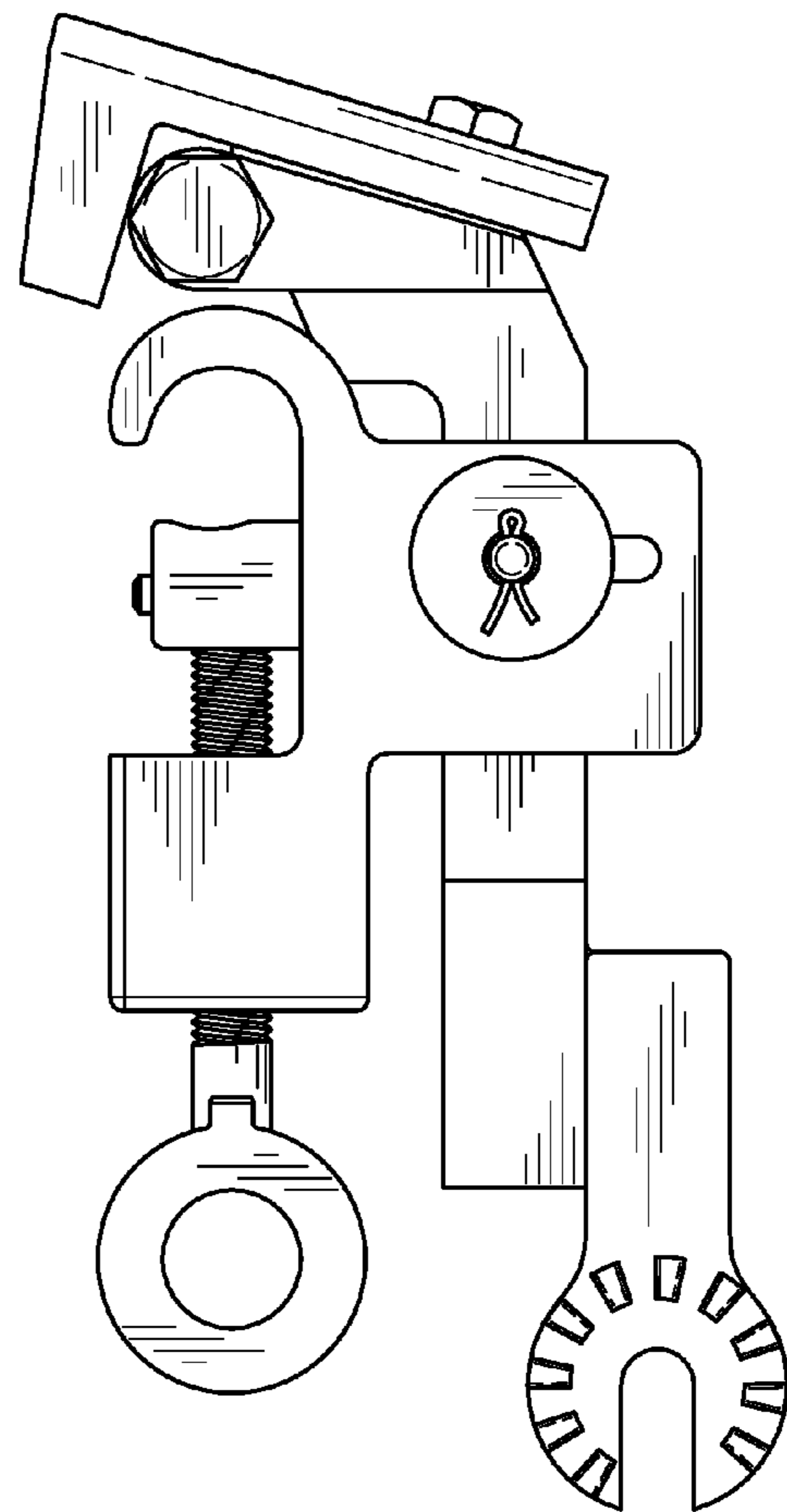


FIG. 3

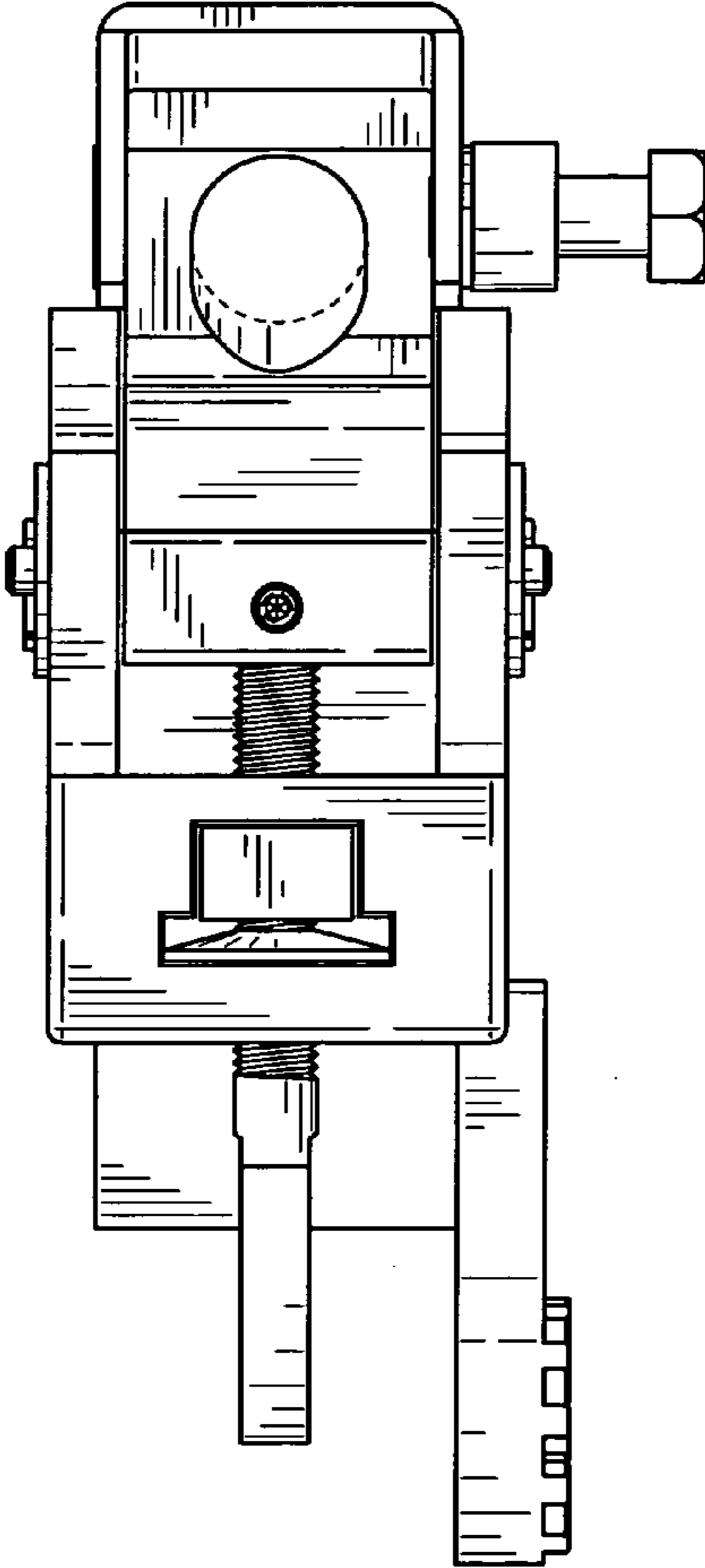


FIG. 4

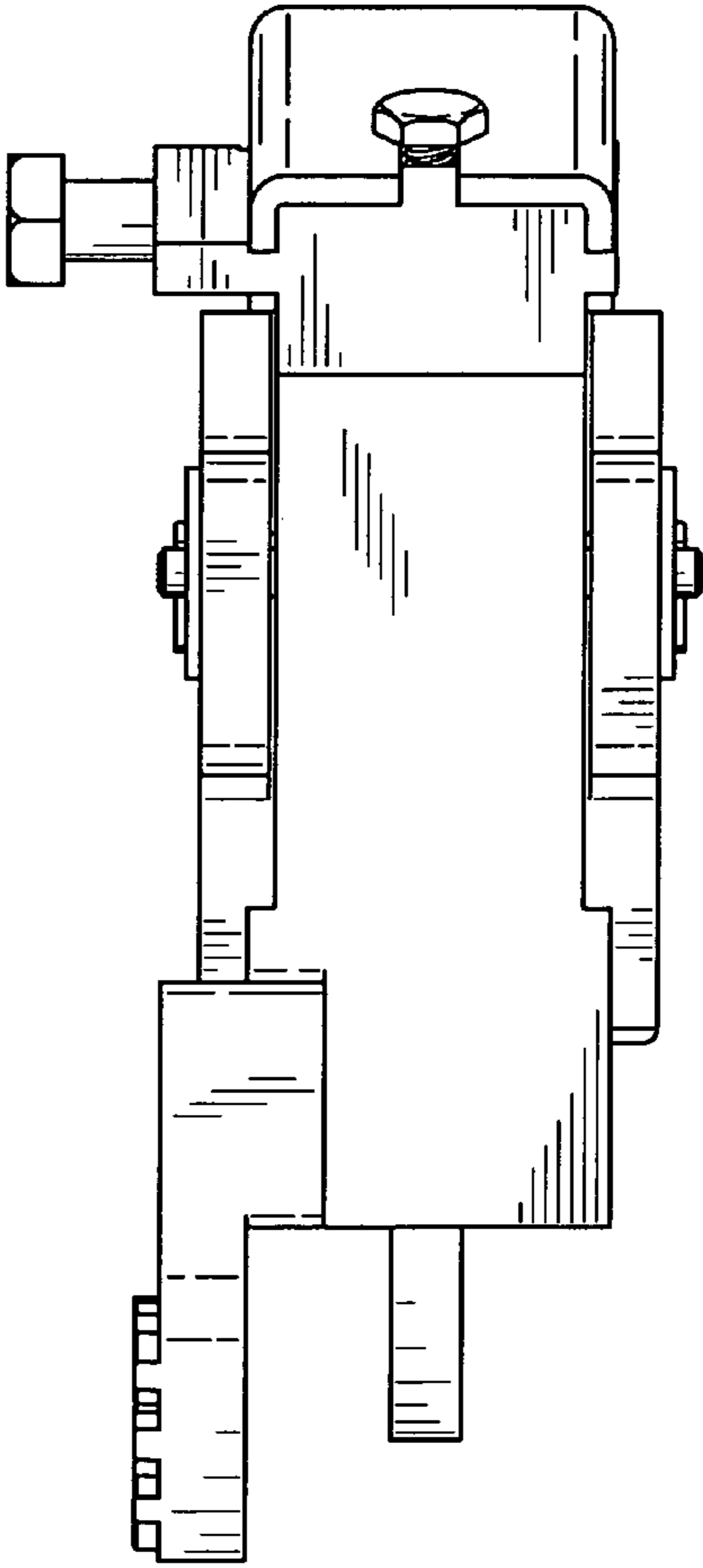


FIG. 5

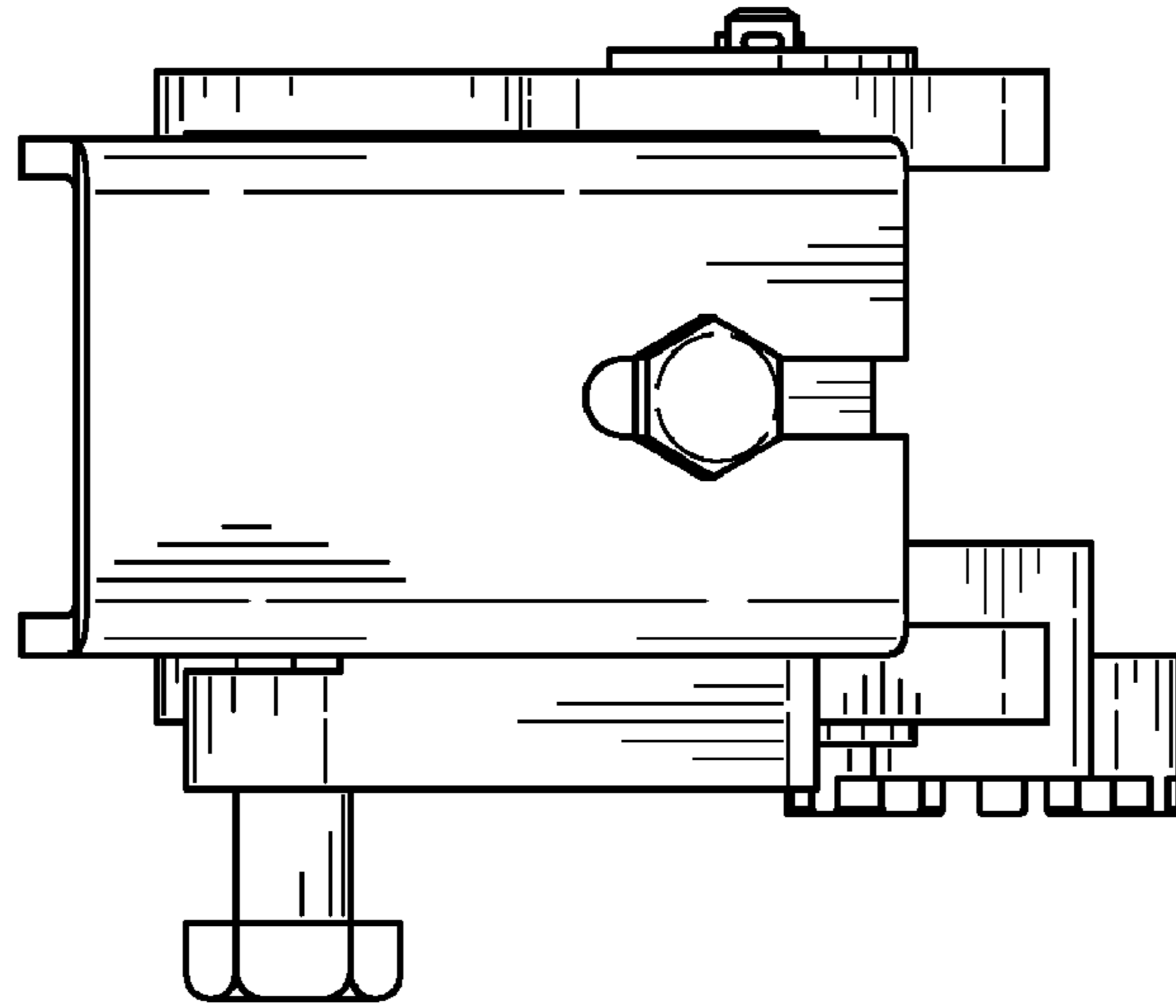


FIG. 6

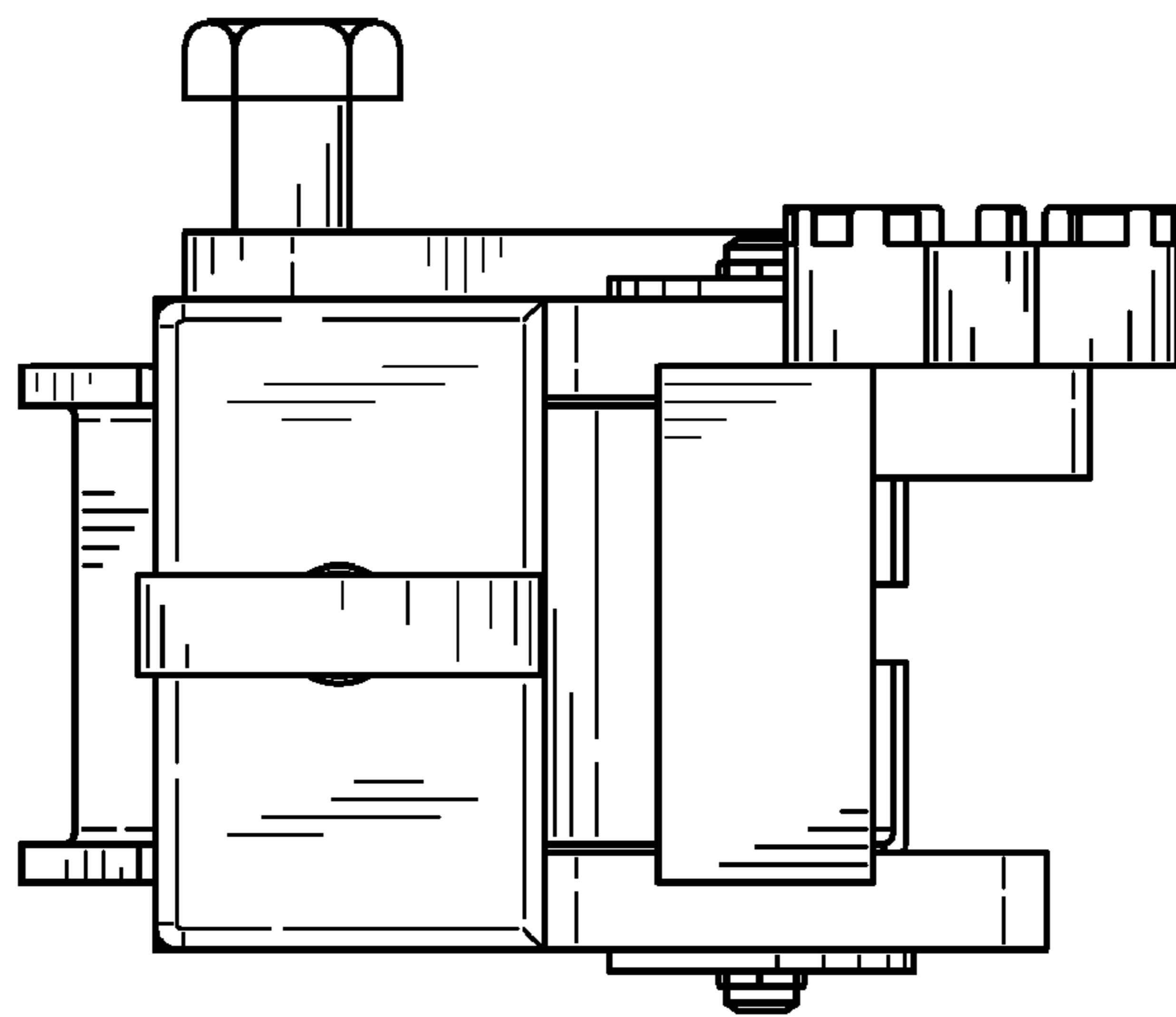


FIG. 7