



US00D615837S

(12) **United States Design Patent**
Lopano et al.

(10) **Patent No.:** **US D615,837 S**

(45) **Date of Patent:** **** May 18, 2010**

(54) **POWER TOOL HANDLE**

(75) Inventors: **Daniel N. Lopano**, Bel Air, MD (US);
Gabriel E. Concari, Eldersburg, MD
(US); **Sion Netzler**, Abingdon, MD (US)

(73) Assignee: **Black & Decker Inc.**, Newark, DE (US)

(**) Term: **14 Years**

(21) Appl. No.: **29/351,984**

(22) Filed: **Dec. 15, 2009**

Related U.S. Application Data

(63) Continuation of application No. 29/332,734, filed on Feb. 24, 2009, now Pat. No. Des. 609,544.

(51) **LOC (9) Cl.** **08-04**

(52) **U.S. Cl.** **D8/68**

(58) **Field of Classification Search** D8/14.1,
D8/61, 62, 63, 64, 65, 66, 67, 68, 69, 70;
81/57.11, 429, 454, 455, 456, 469, 489, 177.1,
81/482; 173/13, 104, 114, 168, 169, 170,
173/171, 178, 201, 211, 213, 217; 408/20,
408/124, 125, 234, 241 R; 451/358; 310/50;
227/8, 113, 114, 120, 130, 136, 142
See application file for complete search history.

(56) **References Cited**

U.S. PATENT DOCUMENTS

3,019,673 A	2/1962	Sjostrand et al.
3,488,825 A	1/1970	Lundgren
4,330,093 A	5/1982	Chapman, Jr.
D295,714 S	5/1988	Sasaki et al.
D298,509 S	11/1988	Brosius et al.
4,858,811 A	8/1989	Brosius et al.
D314,320 S	2/1991	Brosius et al.
D323,276 S	1/1992	Fushiya et al.
D329,580 S	9/1992	Sasaki et al.
D340,393 S	10/1993	Okumura
5,353,474 A	10/1994	Good et al.
D380,952 S	7/1997	Kim
D388,678 S	1/1998	Bantly et al.
D393,580 S	4/1998	Bantly et al.
D393,581 S	4/1998	McCallops et al.

D395,387 S	6/1998	Snider
5,778,989 A	7/1998	Neumaier
D413,242 S	8/1999	Robson
6,161,256 A	12/2000	Quiring et al.
D440,850 S	4/2001	Ozawa et al.
6,392,381 B1	5/2002	Chen

(Continued)

FOREIGN PATENT DOCUMENTS

CH 386808 4/1965

(Continued)

OTHER PUBLICATIONS

Drawings and photographs of power tools existing before the filing date of the present application; online: <http://vwww.hitachi-koki.co.jp/powertools/products/drill/wh14dbl/wh14dbl.html>; printed Jan. 10, 2008.

Drawings and photographs of power tools existing before the filing date of the present application; Powerpoint presentation.

(Continued)

Primary Examiner—Antoine D Davis
(74) *Attorney, Agent, or Firm*—Scott B. Markow

(57) **CLAIM**

The ornamental design for a power tool handle, as shown and described.

DESCRIPTION

FIG. 1 is a perspective view of the a power tool handle.

FIG. 2 is a front view of the handle.

FIG. 3 is a rear view of. the handle

FIG. 4 is a left view of the handle.

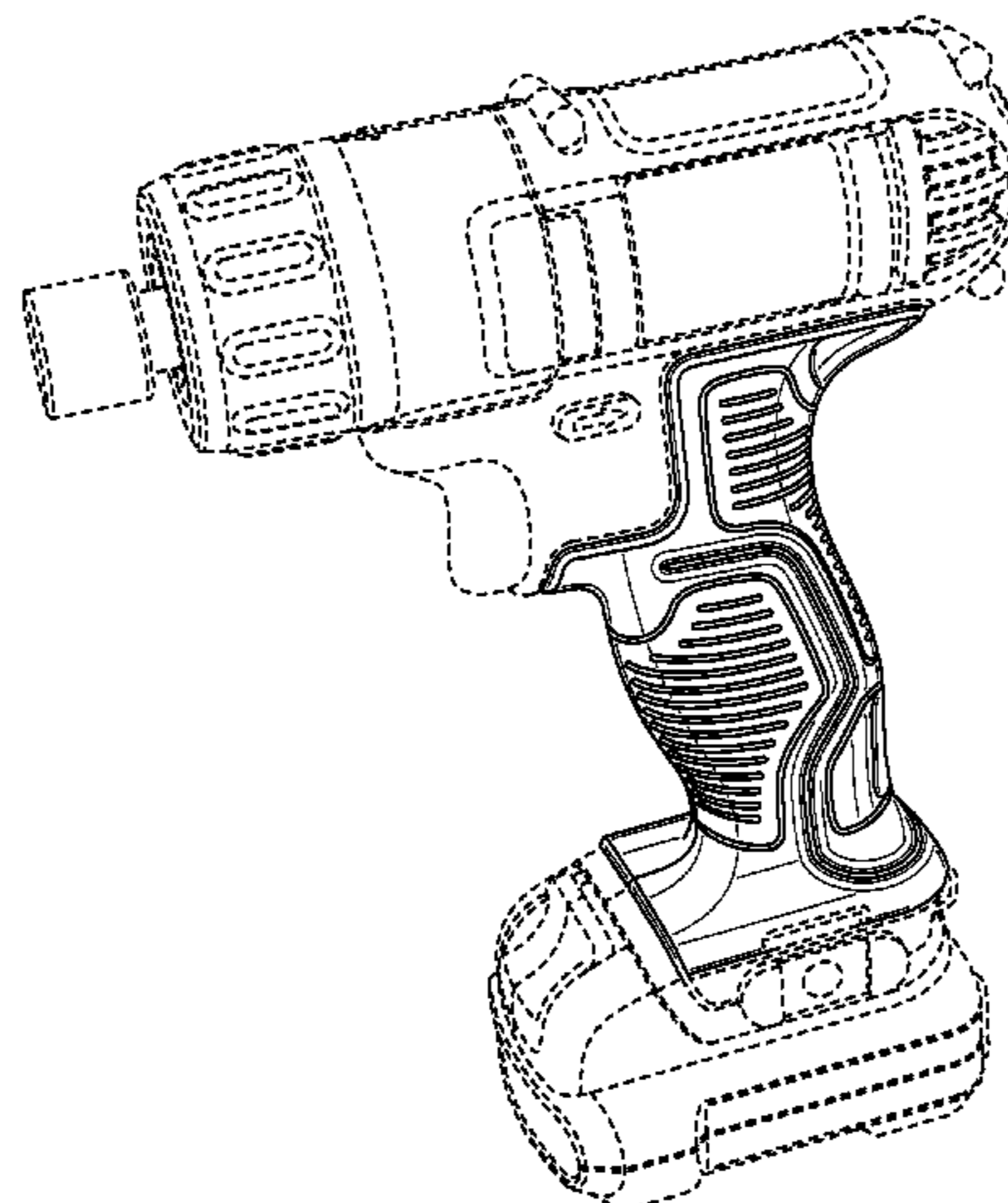
FIG. 5 is a right view of the handle.

FIG. 6 is a top view of the handle; and,

FIG. 7 is a bottom view of the handle.

The portions in broken lines do not form any part of the claimed design.

1 Claim, 5 Drawing Sheets



U.S. PATENT DOCUMENTS

D458,103	S	6/2002	Chen	
D458,824	S	6/2002	Chen	
D459,177	S	6/2002	Chen	
D460,907	S *	7/2002	Geis	D8/68
D462,248	S *	9/2002	Cooper	D8/68
D466,777	S *	12/2002	Watson	D8/68
D467,147	S *	12/2002	Watson	D8/68
D467,483	S	12/2002	Heun	
D472,781	S	4/2003	Netzler	
D475,596	S	6/2003	Ozawa et al.	
D477,205	S	7/2003	Sakai et al.	
6,615,930	B2	9/2003	Bongers-Ambrosius et al.	
D484,385	S	12/2003	Sakai et al.	
6,729,415	B1	5/2004	Huang	
D496,843	S	10/2004	Sugawara et al.	
6,799,643	B2	10/2004	Voulikidis et al.	
D499,945	S	12/2004	Sugawara et al.	
D500,653	S	1/2005	Concari	
6,905,052	B2	6/2005	Sakai et al.	
D506,914	S *	7/2005	Okuda	D8/68
D508,642	S	8/2005	Kokawa et al.	
D508,836	S	8/2005	Schiller et al.	
D509,119	S	9/2005	Schiller et al.	
D519,808	S	5/2006	Otsuka et al.	
D520,832	S	5/2006	Ozawa et al.	
D520,834	S	5/2006	Furuta et al.	
D524,136	S	7/2006	Taniguchi et al.	
D525,099	S	7/2006	Nagasaka et al.	
D525,505	S	7/2006	Ito et al.	
D525,848	S	8/2006	Kokawa	
D527,237	S	8/2006	Otsuka et al.	
D527,971	S	9/2006	Kokawa	
D528,888	S	9/2006	Nagasaka et al.	
7,108,079	B2	9/2006	Sakai et al.	
D529,776	S *	10/2006	Chen	D8/68
D531,476	S	11/2006	Kokawa et al.	
7,134,510	B2	11/2006	Justis et al.	
7,140,451	B2	11/2006	Yoshimizu et al.	
D533,422	S	12/2006	Ino et al.	
D533,423	S	12/2006	Ino et al.	
D536,591	S *	2/2007	Ghode et al.	D8/68
D536,943	S *	2/2007	Tsai et al.	D8/68
D539,110	S	3/2007	Okuda	
7,185,998	B2	3/2007	Oomori et al.	
D540,639	S	4/2007	Watson	
D540,640	S	4/2007	Clay	
D543,081	S	5/2007	Watson	
D545,159	S	6/2007	Schoen et al.	
D546,154	S	7/2007	Fong et al.	
D551,047	S	9/2007	Lopano	
D556,002	S	11/2007	Ino	
D559,060	S *	1/2008	Lopano	D8/68
7,325,627	B2	2/2008	Tanji	
7,385,795	B2 *	6/2008	Denning	361/101
D577,272	S *	9/2008	Murray et al.	D8/68
D582,236	S *	12/2008	Chen	D8/68
D582,237	S *	12/2008	Chen	D8/68
D607,705	S *	1/2010	Murray	D8/68
D608,175	S *	1/2010	Netzler	D8/68
2002/0100347	A1	8/2002	Daubinger et al.	
2003/0159843	A1	8/2003	Sakai et al.	
2004/0029426	A1	2/2004	Lui et al.	
2004/0106036	A1	6/2004	Geis et al.	
2005/0121209	A1	6/2005	Shimizu et al.	
2005/0269884	A1	12/2005	Teranishi et al.	
2006/0048959	A1	3/2006	Sakai et al.	
2006/0060366	A1	3/2006	Bodine et al.	
2006/0075605	A1	4/2006	Lagaly et al.	
2006/0102367	A1	5/2006	Etter et al.	
2006/0143866	A1	7/2006	Lagaly et al.	
2006/0175069	A1	8/2006	Sakakibara et al.	

2006/0243469	A1	11/2006	Webster	
2007/0277987	A1	12/2007	Meyer et al.	
2009/0266863	A1 *	10/2009	Ishida et al.	227/120
2009/0302554	A1 *	12/2009	Thiel	173/217

FOREIGN PATENT DOCUMENTS

DE	3324545	1/1985
DE	19716804.3	10/1998
DE	29918101	2/2000
DE	19933015	5/2000
DE	10124537.8	2/2002
DE	10260324	9/2003
DE	102006020172.8	11/2007
EP	0 142 650	5/1985
EP	0142650	5/1985
EP	0 261 260	3/1988
EP	0868265	7/1998
EP	1033207	9/2000
EP	1364138	8/2002
EP	1321246	6/2003
EP	1449625	8/2004
EP	1516702	3/2005
EP	1533086	5/2005
EP	1 690 649	8/2006
EP	1795311	6/2007
EP	1903657	3/2008
GB	2 169 541	7/1986
JP	6-70564	10/1994
JP	09-002550	1/1997
JP	9239672	9/1997
JP	10044054	2/1998
JP	10-086078	4/1998
JP	2000070777	3/2000
JP	D1108845	3/2001
JP	2001-198856	7/2001
JP	2003-039346	2/2003
JP	2003211374	7/2003
JP	D1187794	8/2003
JP	2003-245876	9/2003
JP	2003-290689	10/2003
JP	D1201916	2/2004
JP	2004-174670	6/2004
JP	2004-174671	6/2004
JP	D1123614	8/2004
JP	2004-261906	9/2004
JP	2004249422	9/2004
JP	2005-035286	2/2005
JP	2005-199406	7/2005
JP	2005297119	10/2005
JP	2006-000948	1/2006
JP	2006-116626	5/2006
JP	2006-123086	5/2006
JP	2007-307626	11/2007
WO	WO2008/035811	3/2008
WO	WO2008/090830	7/2008
WO	WO2008/058788	11/2008
WO	WO2009/001592	12/2008

OTHER PUBLICATIONS

Drawing and photograph of power tools existing before the filing date of the present application; Panasonic Power Tool—online: http://www2.panasonic.com/consumer-electronics/shop/Building-Products/Cordless-Tools/Drill-Drivers/model.EY7440LN2S_11002_700000000000005702; printed Feb. 7, 2008.
 Search Report for European application No. 1 690 649 dated May 17, 2006.
 Hitachi Cordless Driver Drill DB10DL, Handling instructions, http://www.hitachi-koki.com/manual_view_export/pdf_manual_view.do?implementationWorkNumber=710&partsCode=C99167821&model=DB10DL&marketSeq=5, online, cover page, pp. 1 and 48, printed Apr. 1, 2009.

* cited by examiner

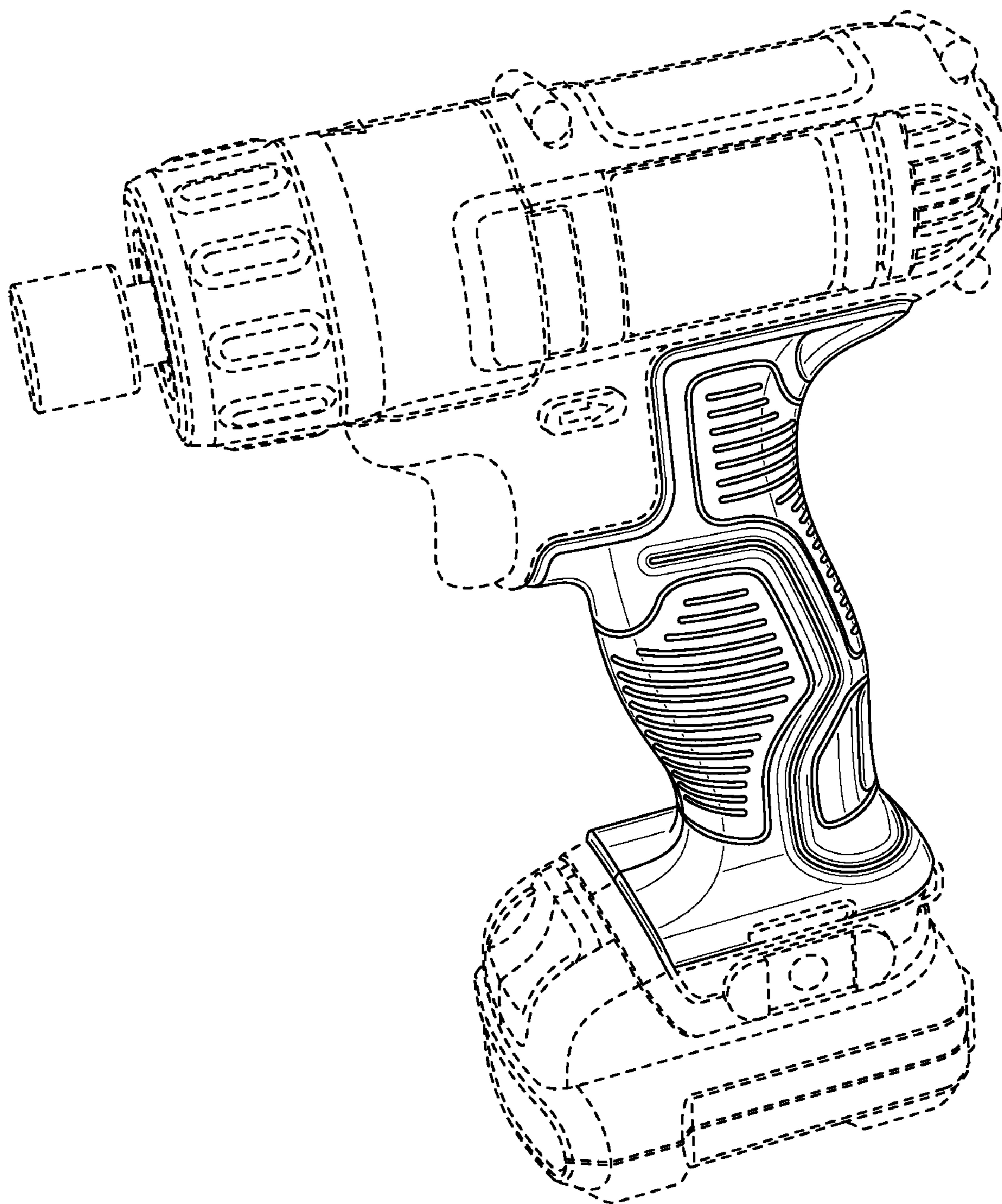


FIG. 1

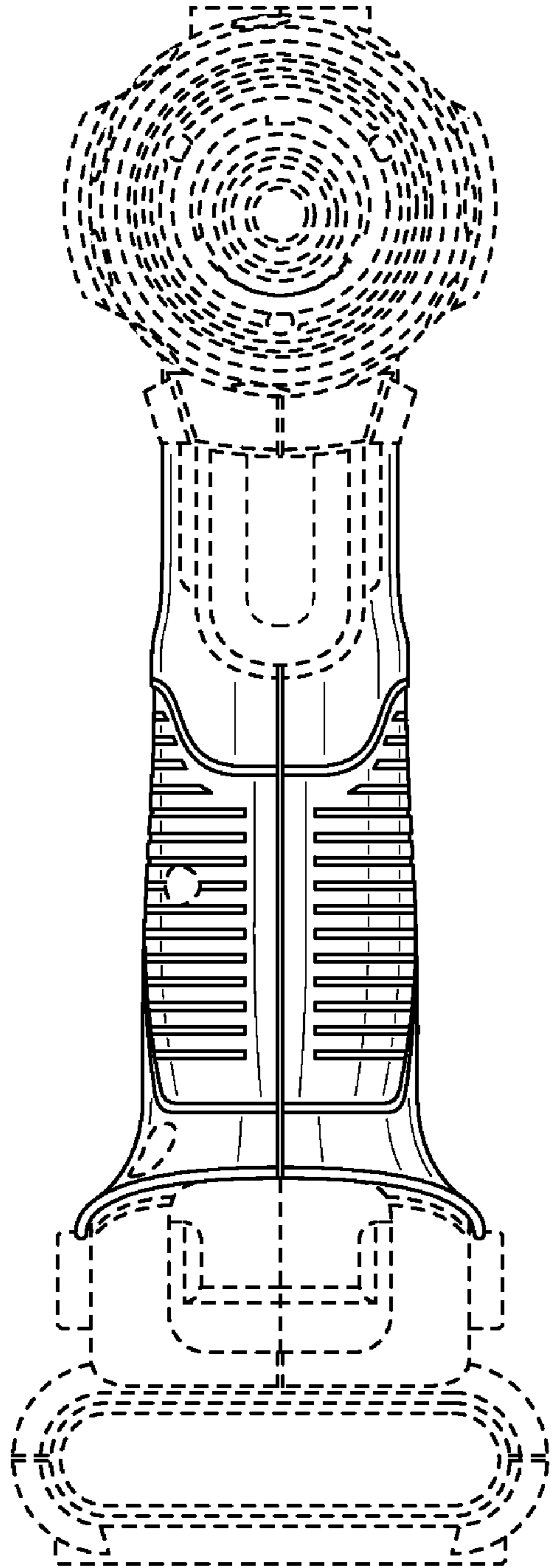


FIG. 2

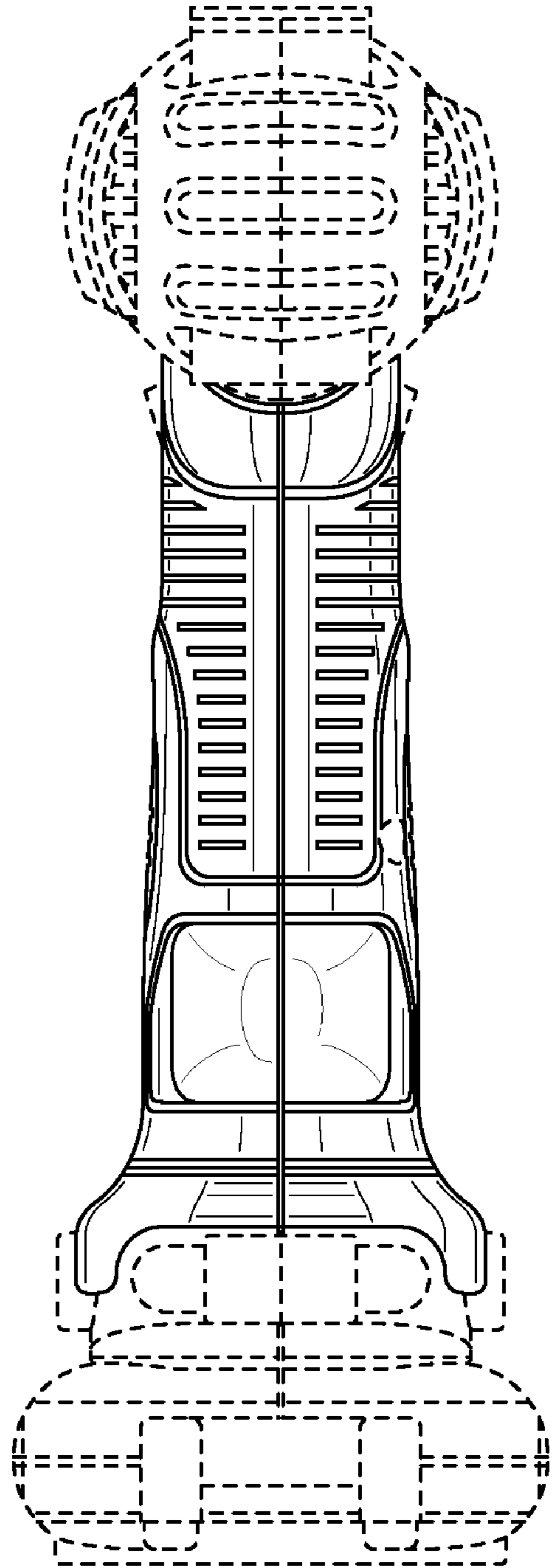


FIG. 3

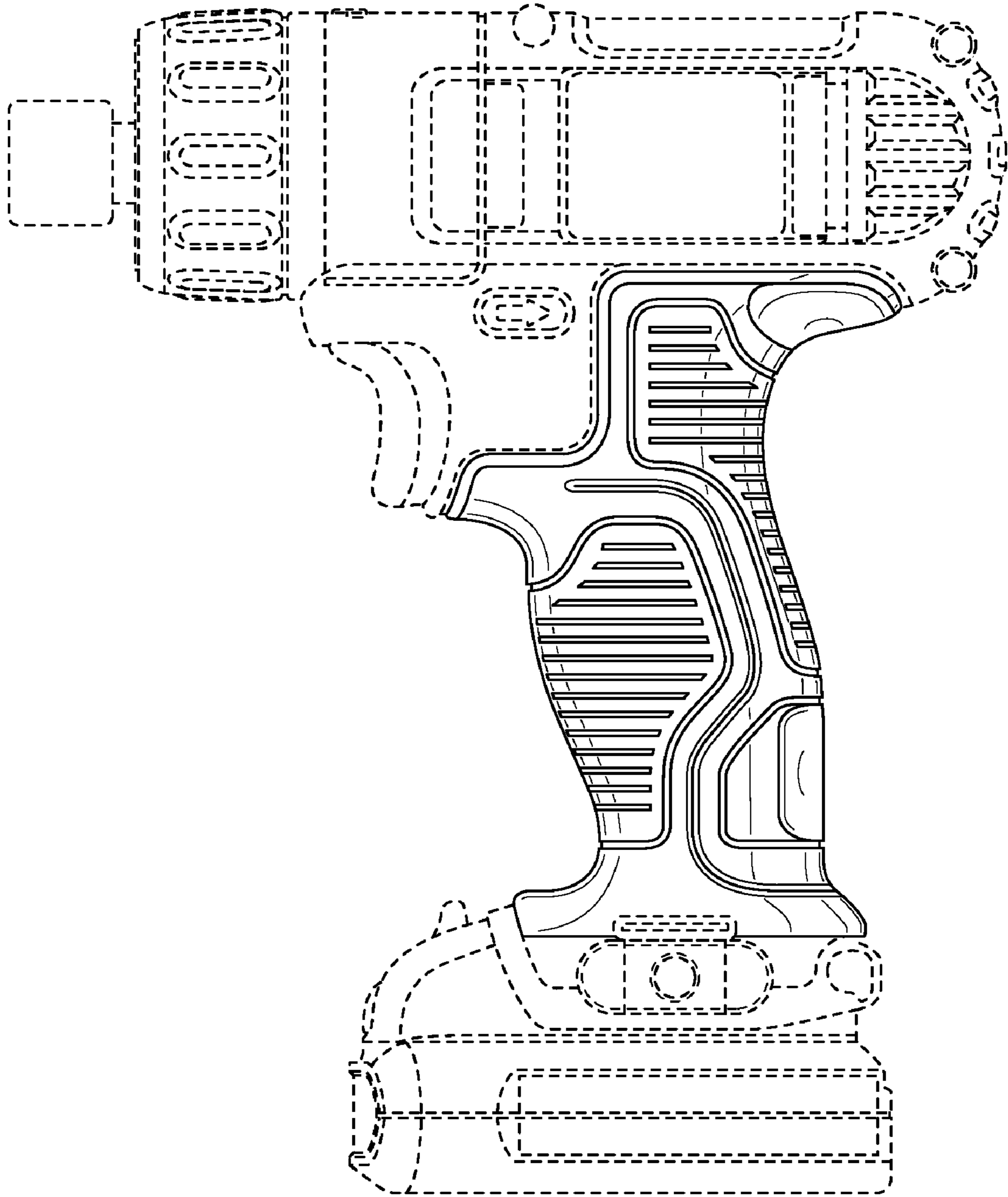


FIG. 4

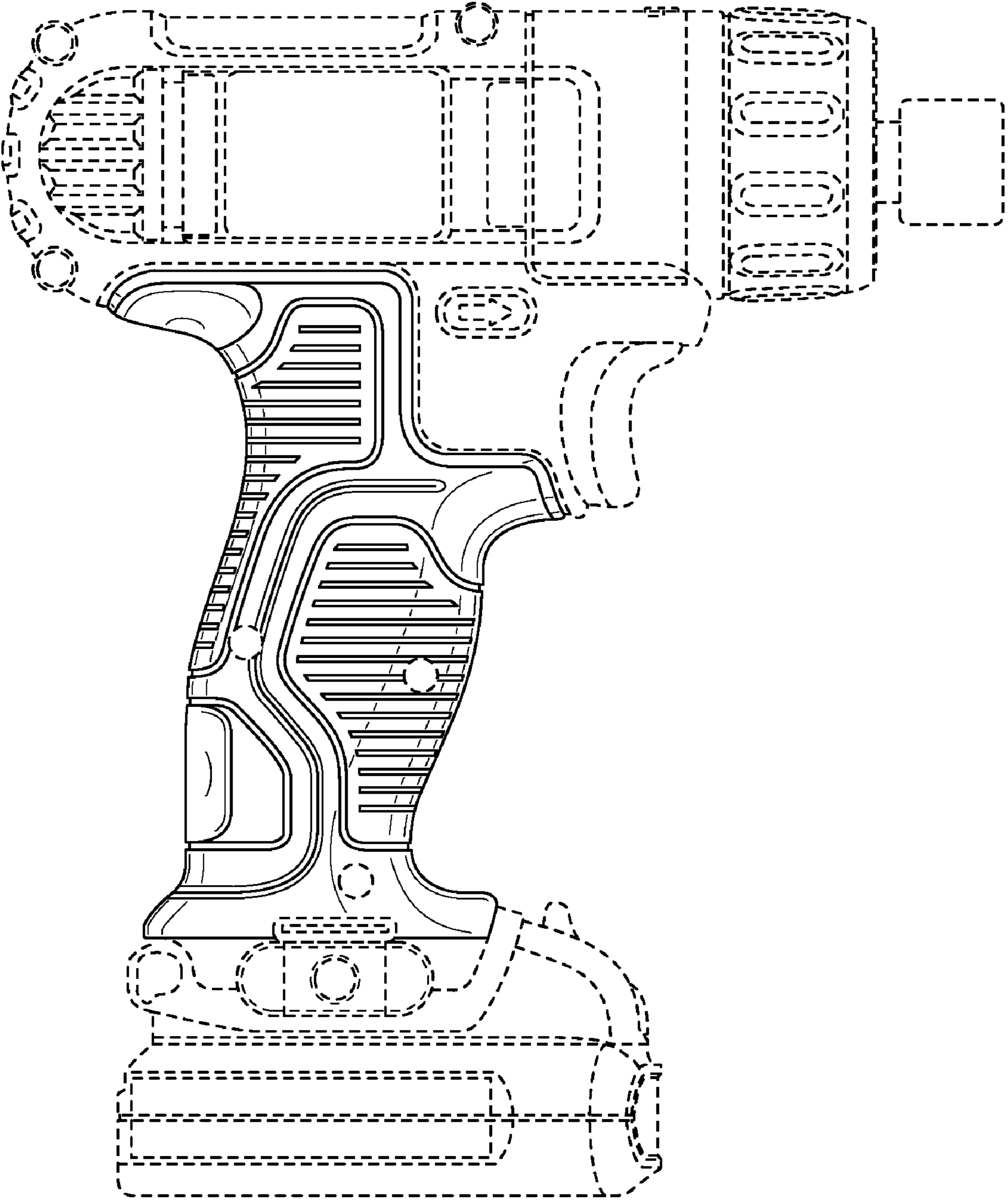


FIG. 5

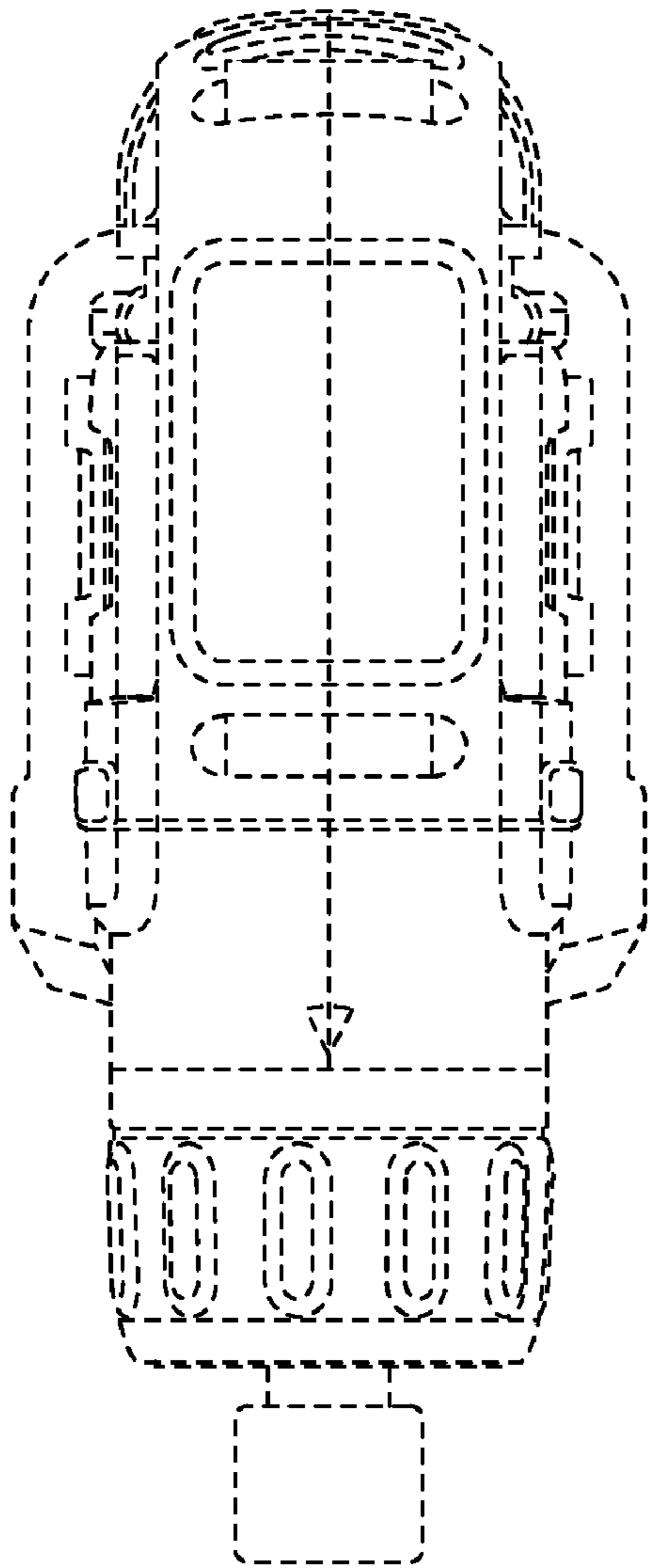


FIG. 6

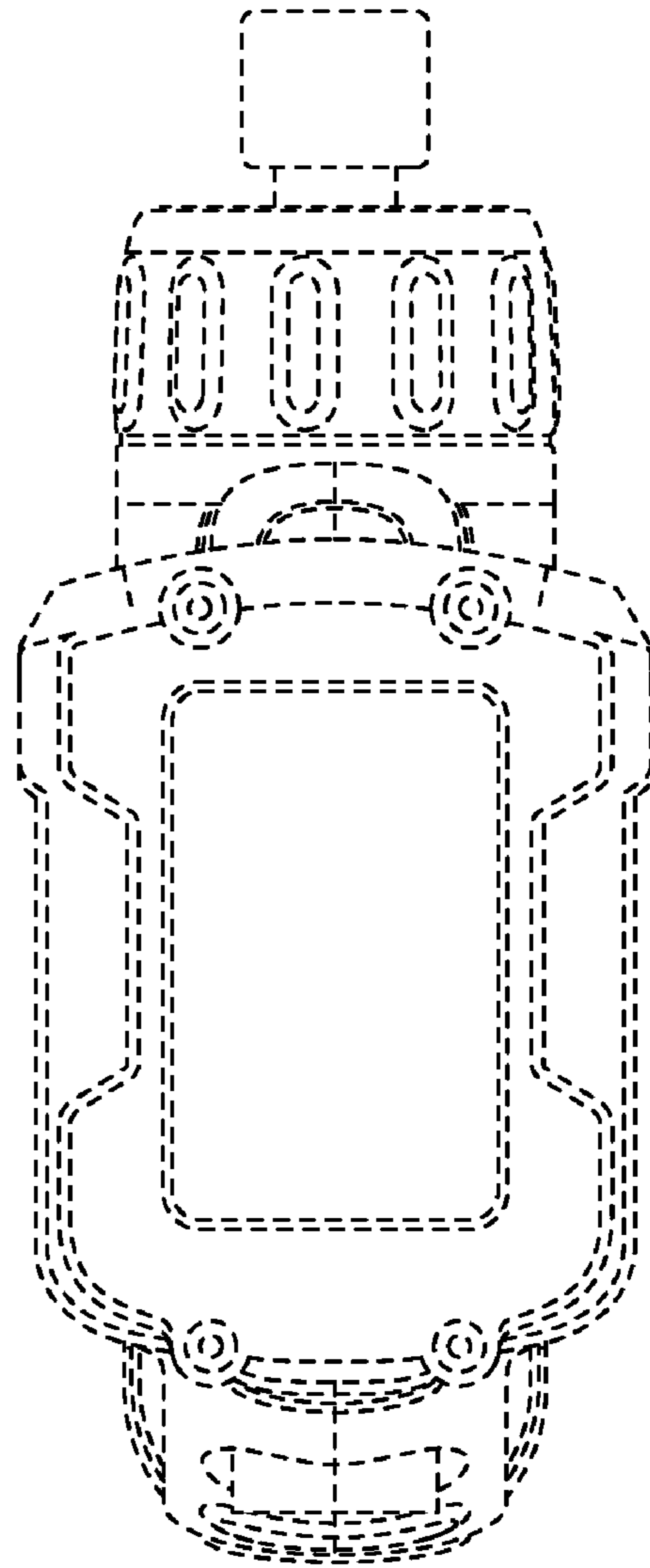


FIG. 7