



US00D615836S

(12) **United States Design Patent**
Kosugi et al.

(10) **Patent No.:** **US D615,836 S**

(45) **Date of Patent:** **** May 18, 2010**

(54) **PORTABLE CHAIN SAW**

D574,207 S * 8/2008 Arnesson et al. D8/65

(75) Inventors: **Shingo Kosugi**, Hitachinaka (JP);
Masanori Okada, Hitachinaka (JP);
Shinichi Kakefuda, Hitachinaka (JP);
Kenji Naganuma, Hitachinaka (JP);
Kentarou Kanaya, Hitachinaka (JP)

* cited by examiner

Primary Examiner—Cathron C Brooks
Assistant Examiner—Austin Murphy
(74) *Attorney, Agent, or Firm*—Sughrue Mion, PLLC

(73) Assignee: **Hitachi Koki Co., Ltd.**, Tokyo (JP)

(57) **CLAIM**

(**) Term: **14 Years**

The ornamental design for a portable chain saw, as shown and described.

(21) Appl. No.: **29/337,389**

DESCRIPTION

(22) Filed: **May 21, 2009**

FIG. 1 is a front, left perspective view of the portable chain saw according to the present invention;

(51) **LOC (9) Cl.** **08-03**

FIG. 2 is a rear, right perspective view thereof;

(52) **U.S. Cl.** **D8/65**

FIG. 3 is a left side elevational view thereof;

(58) **Field of Classification Search** D8/65,
D8/7, 8, 9, 70, 66, 67, 62, 63, 64, 61; 30/386,
30/383, 382, 371, 123; 125/21

FIG. 4 is a right side elevational view thereof;

See application file for complete search history.

FIG. 5 is a front elevational view thereof;

FIG. 6 is a rear elevational view thereof;

FIG. 7 is a top plan view thereof;

(56) **References Cited**

U.S. PATENT DOCUMENTS

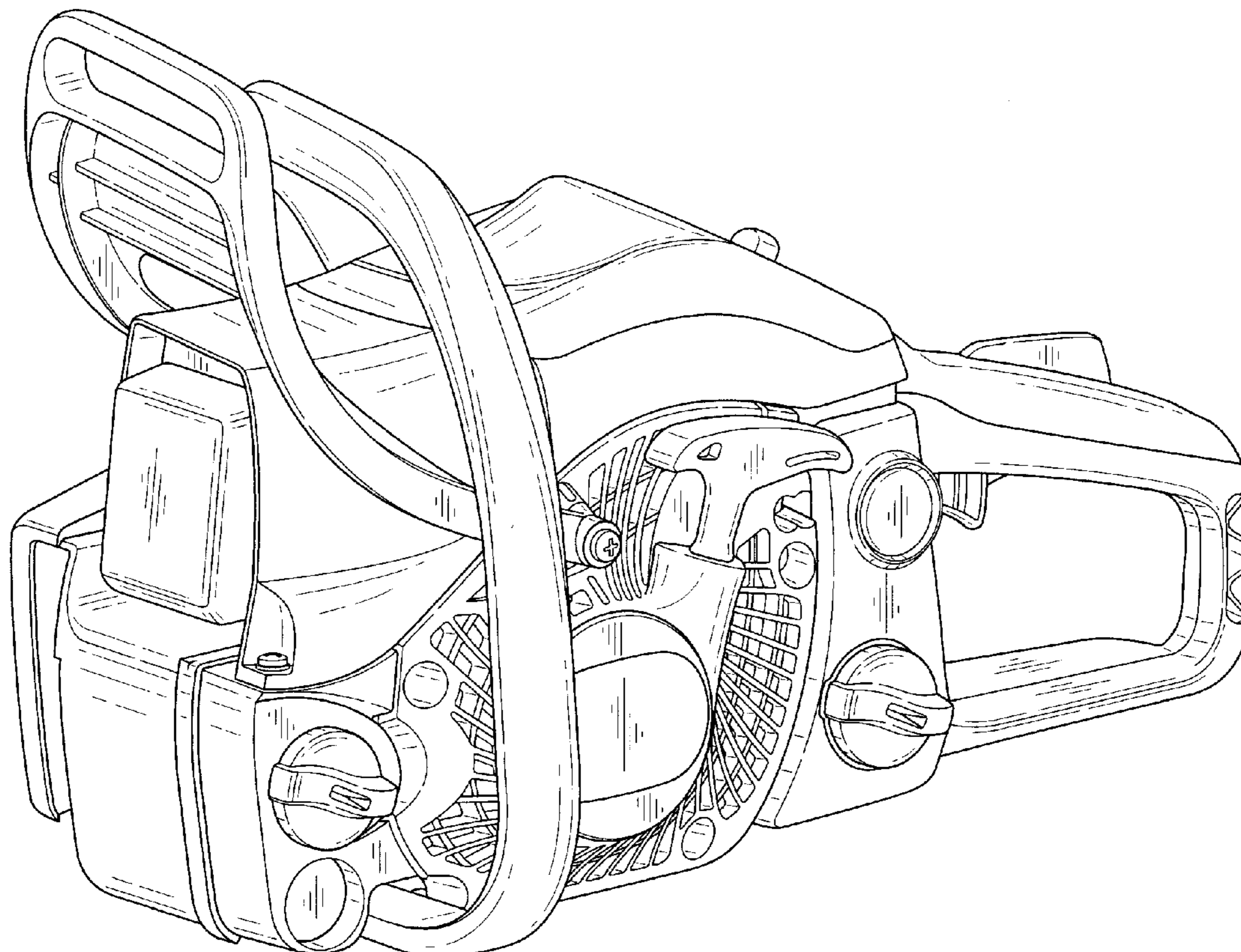
- D364,326 S * 11/1995 Lohse et al. D8/65
- D386,958 S * 12/1997 Karlsson et al. D8/65
- D412,652 S * 8/1999 Durr et al. D8/65
- D558,020 S * 12/2007 Karlsson et al. D8/65
- D563,747 S * 3/2008 Tinius D8/65

FIG. 8 is a bottom plan view thereof; and,

FIG. 9 is a front, left perspective view thereof with a saw blade shown in broken lines.

The broken lines shown in FIGS. 8 and 9 represent unclaimed portions of the design and form no part thereof.

1 Claim, 9 Drawing Sheets



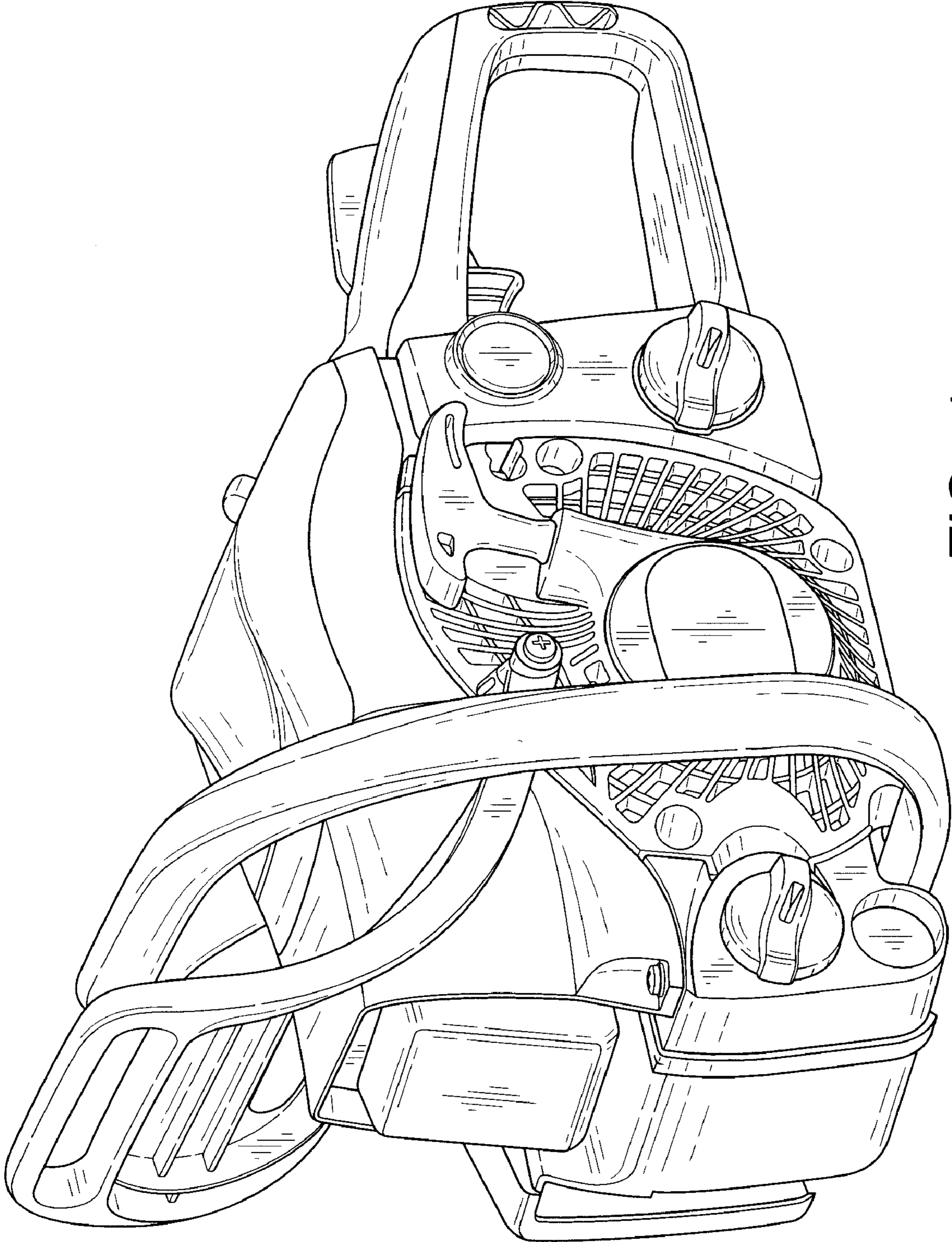


FIG. 1

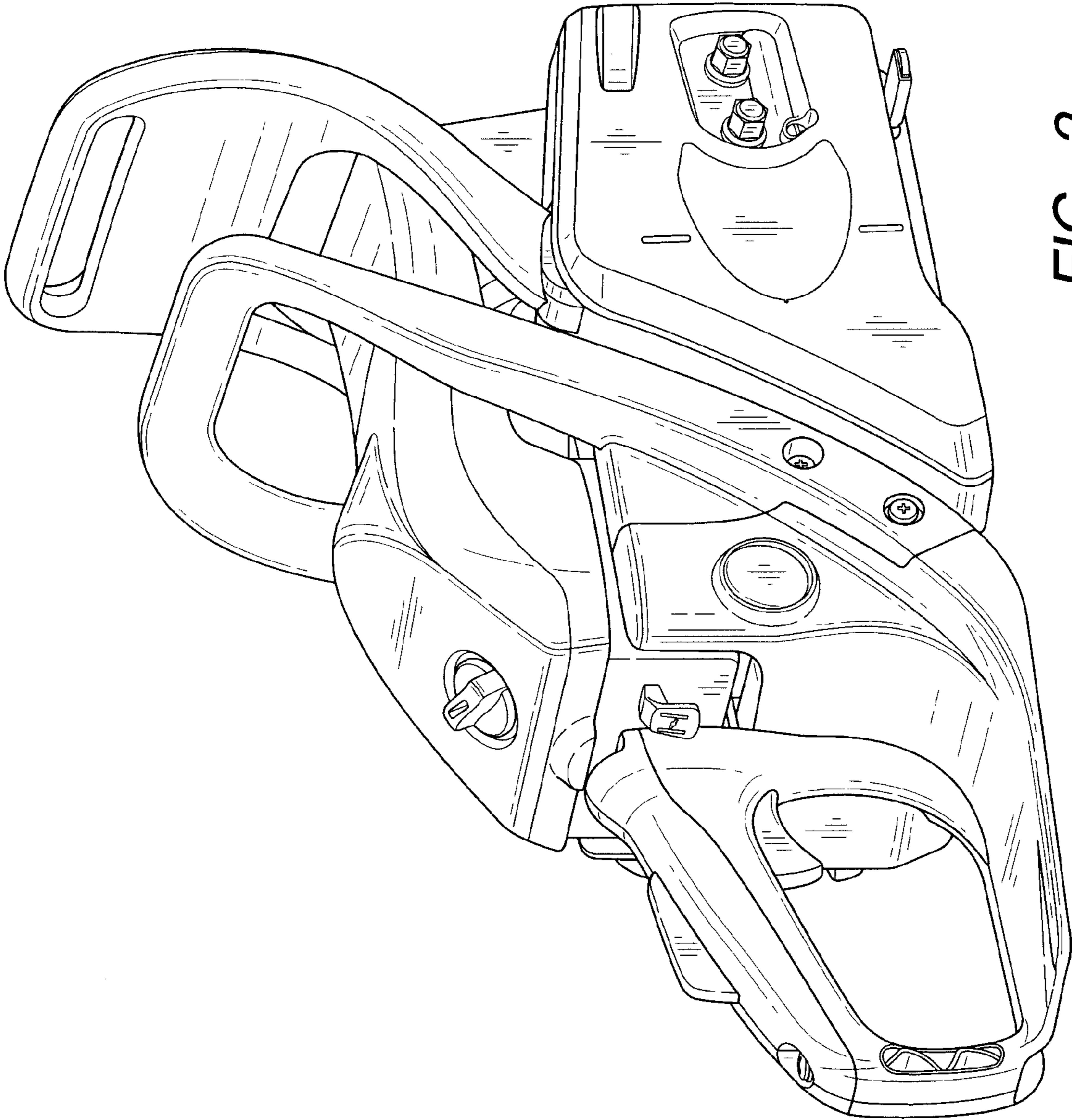


FIG. 2

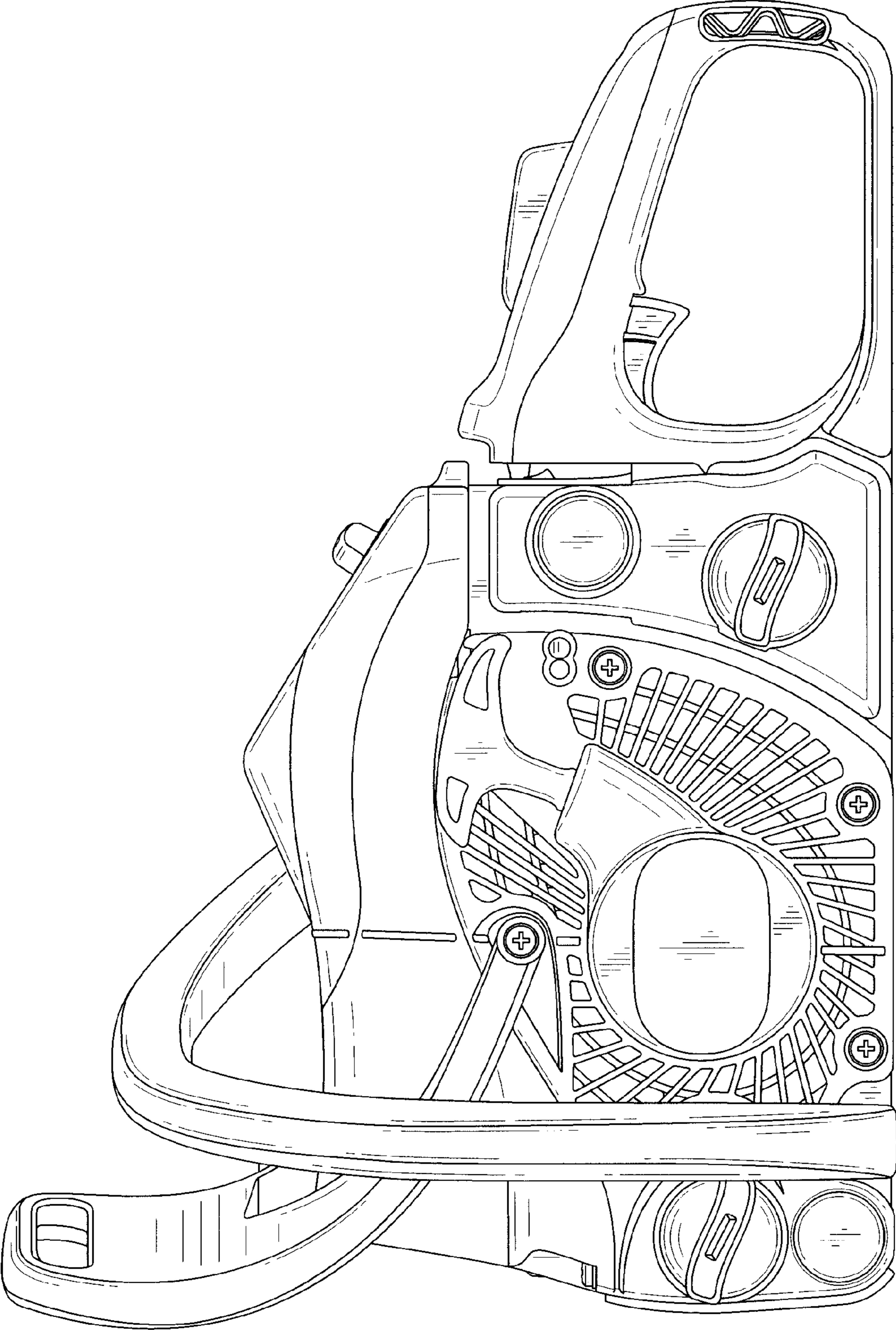


FIG. 3

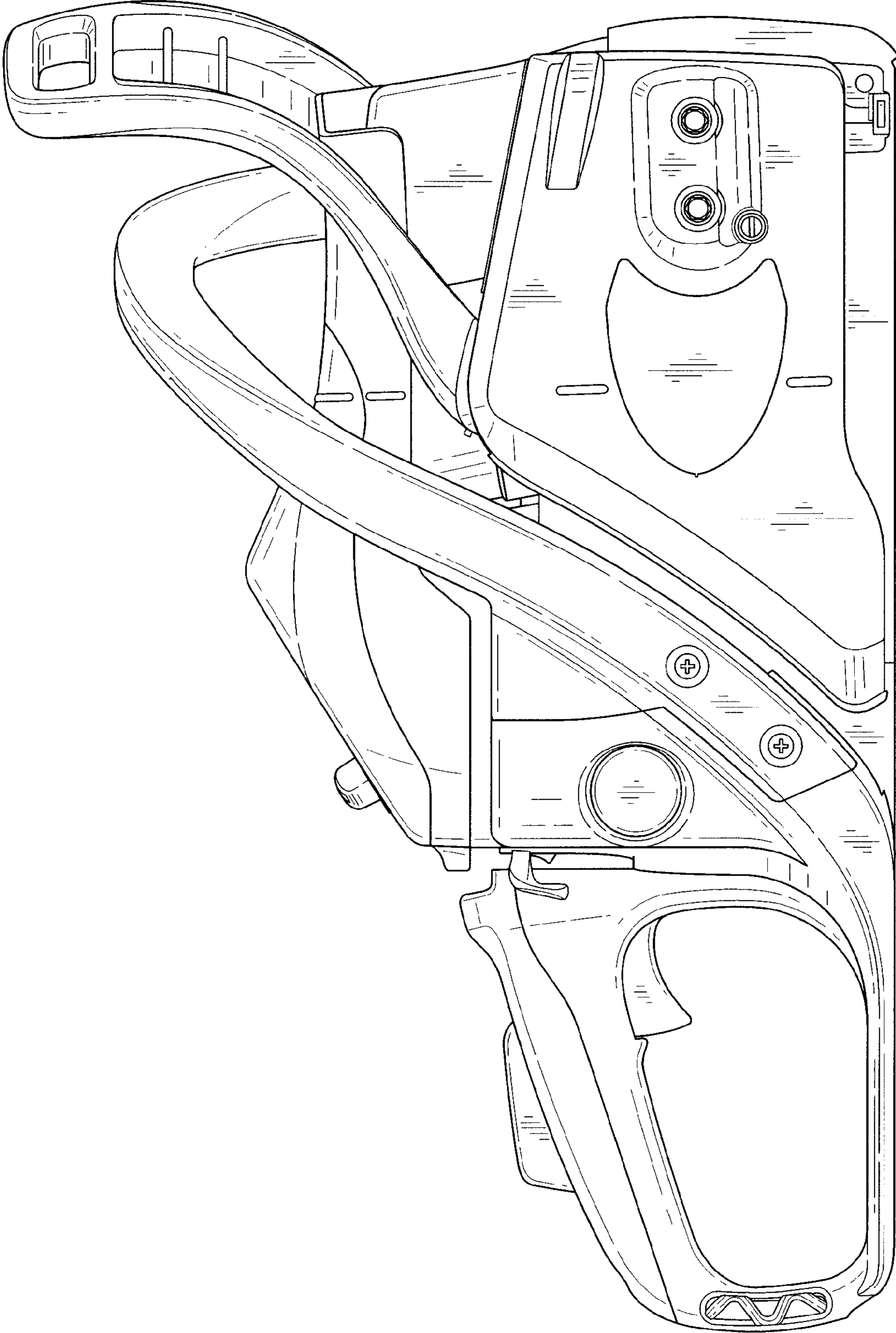


FIG. 4

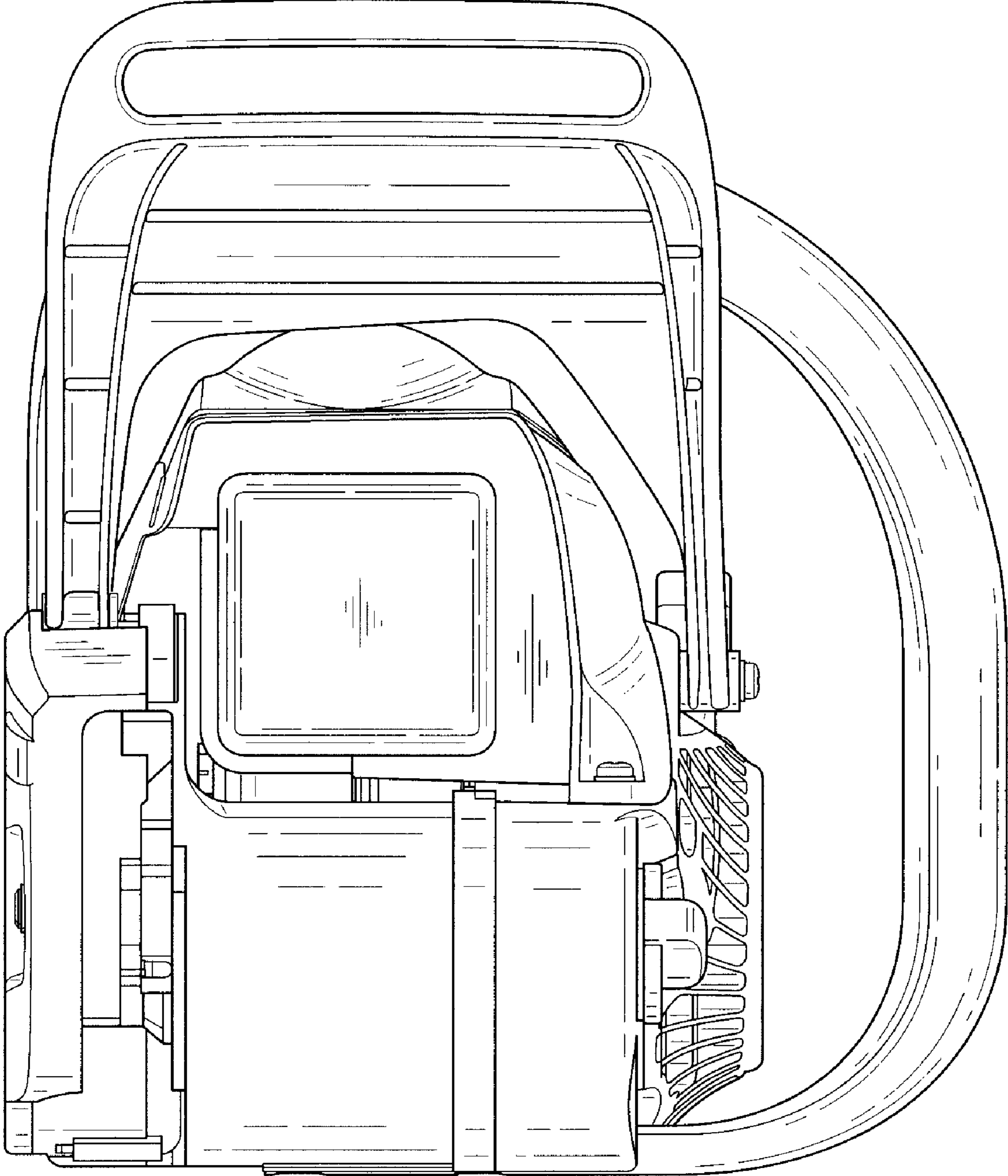


FIG. 5

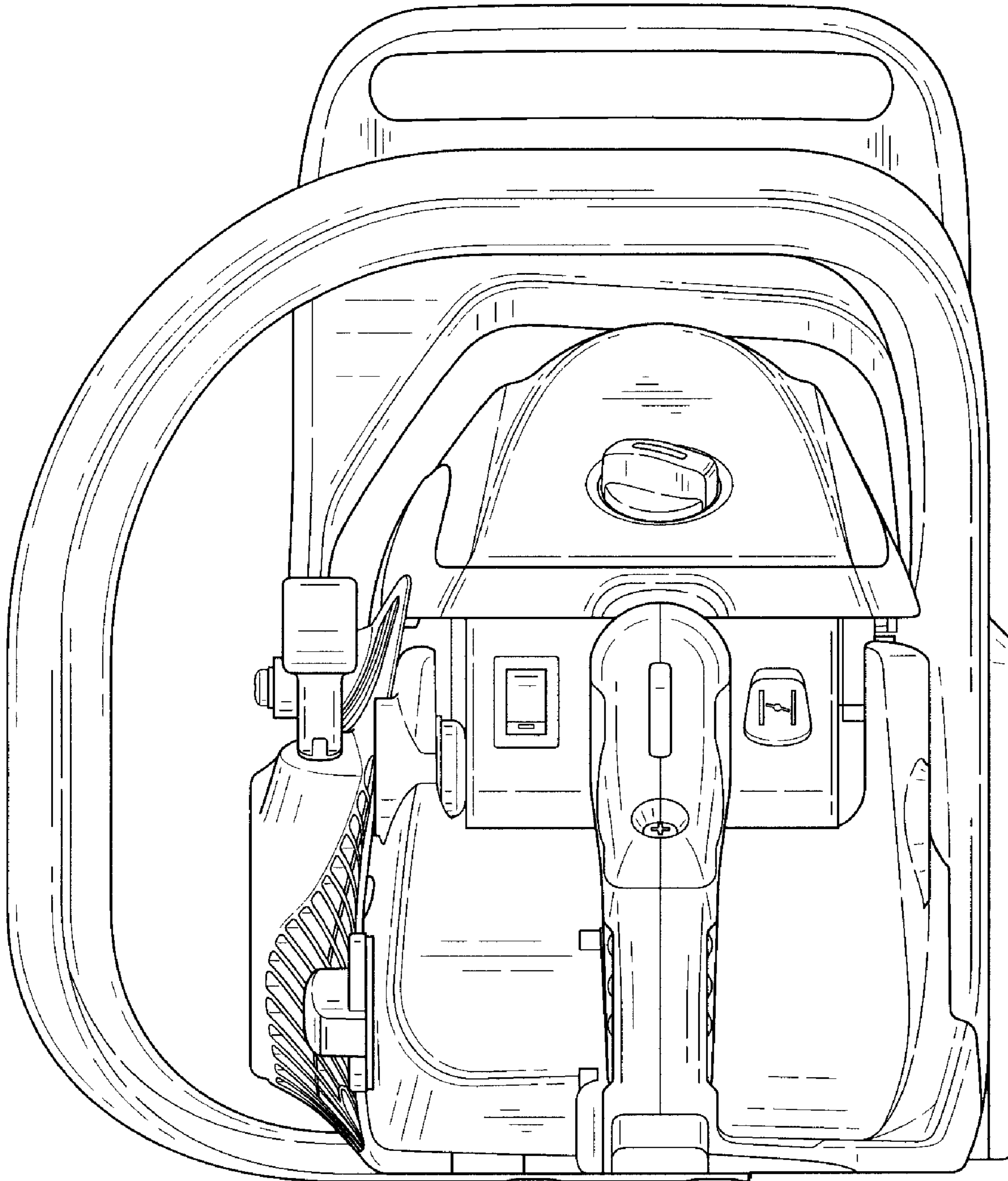


FIG. 6

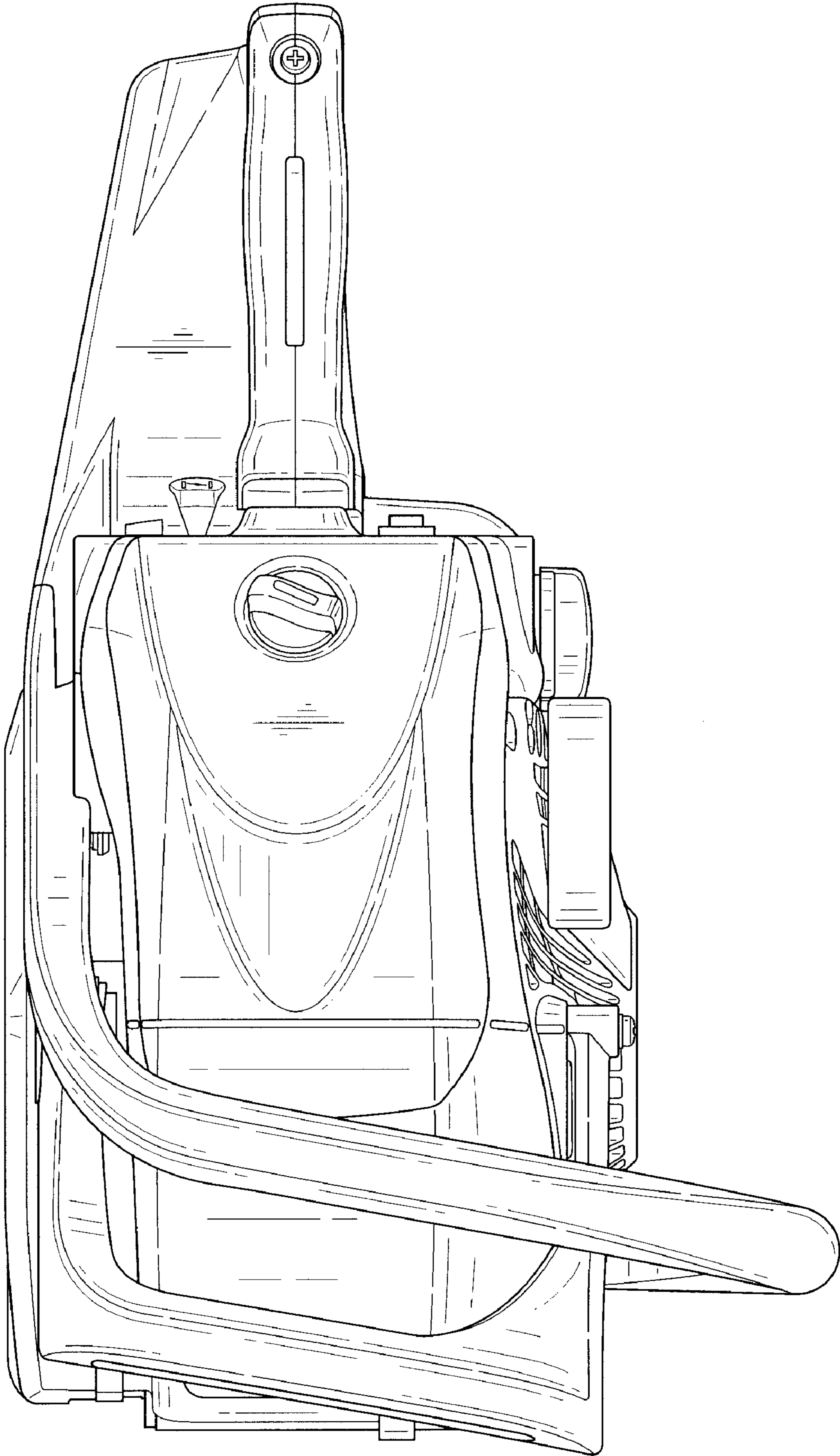


FIG. 7

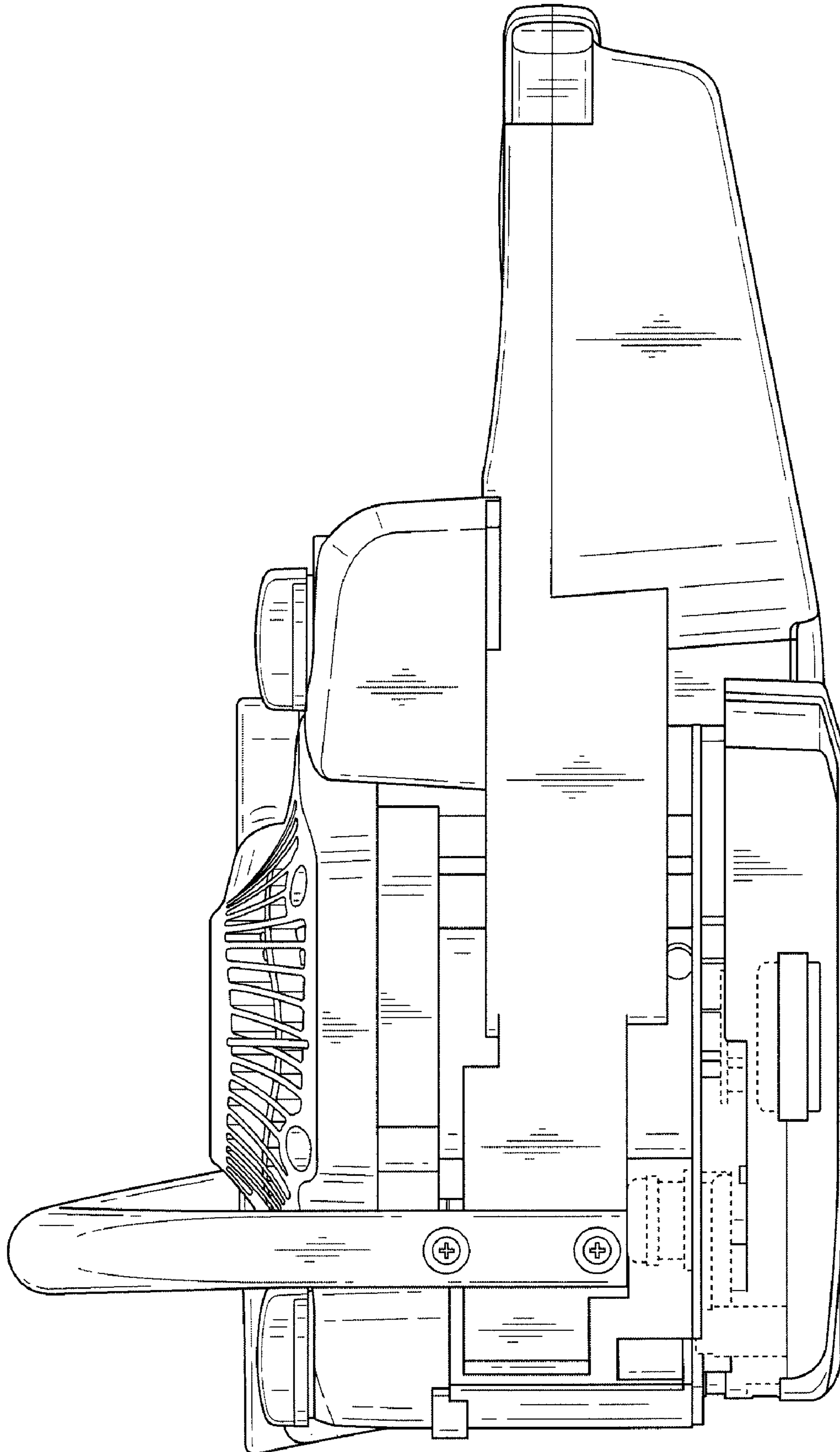


FIG. 8

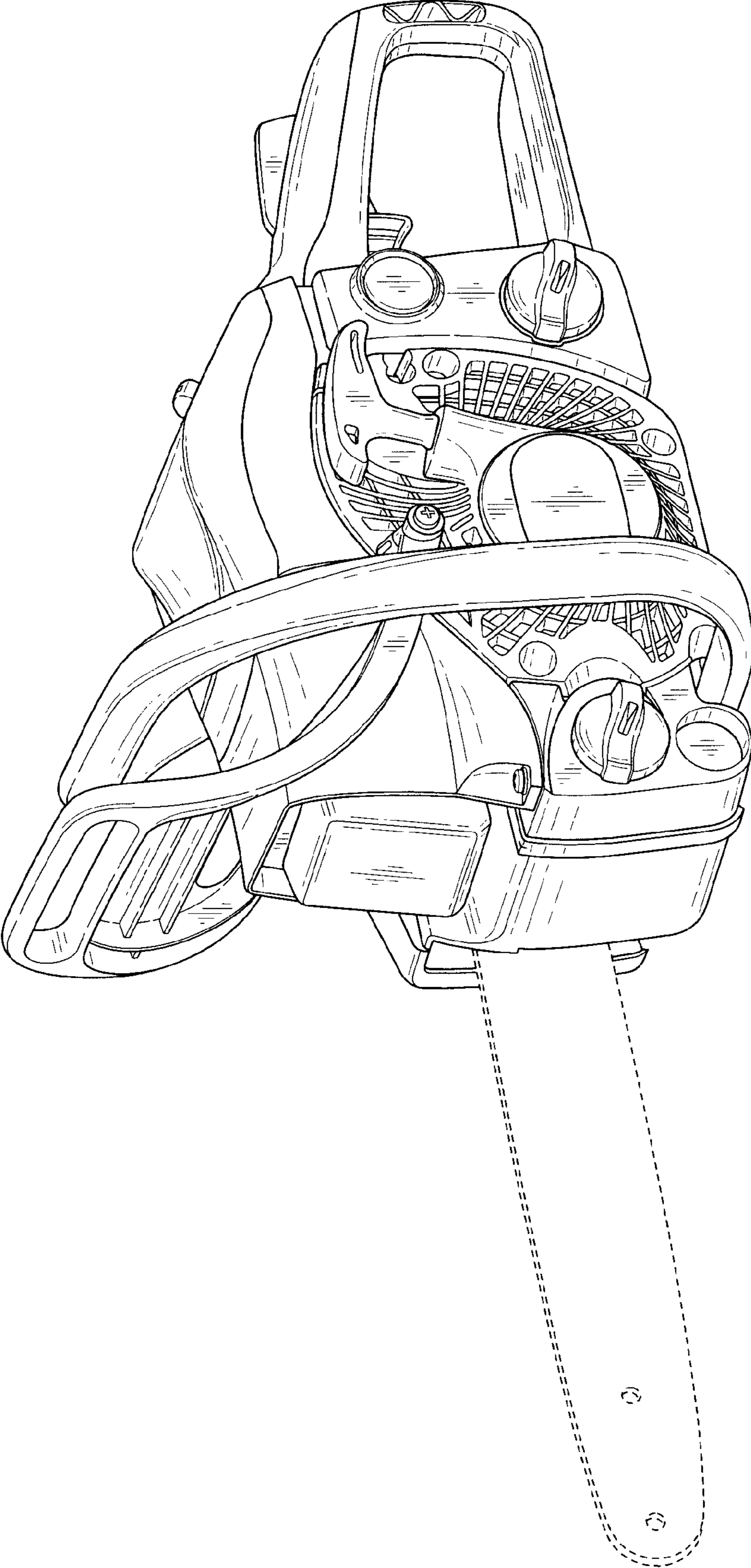


FIG. 9

UNITED STATES PATENT AND TRADEMARK OFFICE
CERTIFICATE OF CORRECTION

PATENT NO. : Des. 615,836 S
APPLICATION NO. : 29/337389
DATED : May 18, 2010
INVENTOR(S) : Shingo Kosugi et al.

Page 1 of 1

It is certified that error appears in the above-identified patent and that said Letters Patent is hereby corrected as shown below:

Title Page, insert

--(30) **Foreign Application Priority Data**

Nov. 27, 2008 (JP) 2008-030426--

Signed and Sealed this

Fourteenth Day of December, 2010



David J. Kappos
Director of the United States Patent and Trademark Office