



US00D615835S

(12) **United States Design Patent**
Netzler

(10) **Patent No.:** **US D615,835 S**
(45) **Date of Patent:** **** May 18, 2010**

(54) **HEAT GUN**
(75) Inventor: **Sion Netzler**, Abington, MD (US)
(73) Assignee: **Black & Decker Inc.**, Newark, DE (US)
(**) Term: **14 Years**

6,663,071 B2 12/2003 Peterson
6,722,617 B2 4/2004 Wilfer
6,873,791 B2* 3/2005 Cheng 392/382

(21) Appl. No.: **29/312,960**
(22) Filed: **Nov. 25, 2008**

(Continued)

FOREIGN PATENT DOCUMENTS

DE 816005 10/1951

(30) **Foreign Application Priority Data**
May 27, 2008 (EM) 000940580-0001

(Continued)

(51) **LOC (9) Cl.** **08-05**
(52) **U.S. Cl.** **D8/29.1**
(58) **Field of Classification Search** D8/29.1;
D28/13; 219/221, 222, 225, 227; 392/380,
392/381, 382, 383, 384, 385
See application file for complete search history.

Primary Examiner—Adir Aronovich
(74) *Attorney, Agent, or Firm*—Adan Ayala

(57) **CLAIM**

The ornamental design for a heat gun, as shown and described.

(56) **References Cited**

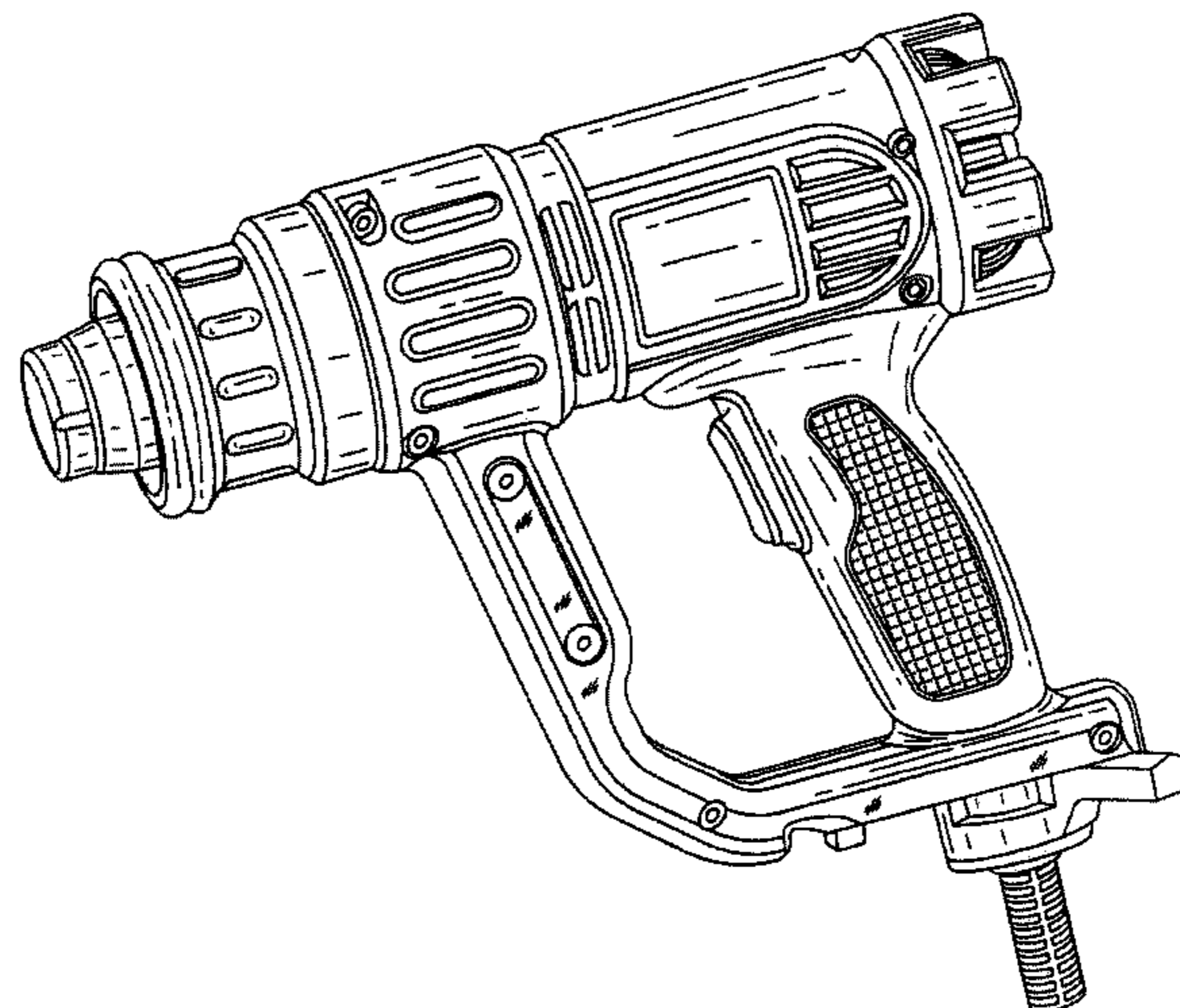
U.S. PATENT DOCUMENTS

4,021,012 A 5/1977 Miller
4,333,623 A 6/1982 May
D288,841 S 3/1987 Steinel et al.
D296,070 S * 6/1988 Cunningham D8/29.1
5,452,872 A 9/1995 Barnes et al.
5,632,459 A 5/1997 Brett
D388,297 S * 12/1997 Bittenbender D8/29.1
5,887,531 A 3/1999 Covill
D436,707 S 1/2001 Liao
D456,679 S * 5/2002 Cheng D8/29.1
D456,681 S 5/2002 Cheng
D457,044 S * 5/2002 Cheng D8/29.1
D457,407 S * 5/2002 Pretzell D8/29.1
D458,524 S 6/2002 Cheng
D458,818 S 6/2002 Cheng
D461,383 S 8/2002 Blackburn
D475,590 S 6/2003 Huang
6,585,199 B1 7/2003 Yu
D479,680 S 9/2003 Blackburn
D481,277 S * 10/2003 Waldron D8/29.1

DESCRIPTION

FIG. 1 is a perspective view of a heat gun showing my new design.
FIG. 2 is a front view of a heat gun according to FIG. 1.
FIG. 3 is a rear view of a heat gun according to FIG. 1.
FIG. 4 is a top view of a heat gun according to FIG. 1.
FIG. 5 is a bottom view of a heat gun according to FIG. 1.
FIG. 6 is a right side view of a heat gun according to FIG. 1; and,
FIG. 7 is a left side view of a heat gun according to FIG. 1.
The portions of the heat gun in FIG. 2 are shown to illustrate environment only and form no part of the claimed design.

1 Claim, 5 Drawing Sheets



US D615,835 S

Page 2

U.S. PATENT DOCUMENTS

D552,443 S * 10/2007 Aglassinger et al. D8/29.1

FOREIGN PATENT DOCUMENTS

DE 1796345 9/1959

DE	1281647	2/1965
DE	1794340	3/1972
DE	4320299 A1	12/1993
DE	202005018801 U1	5/2006

* cited by examiner

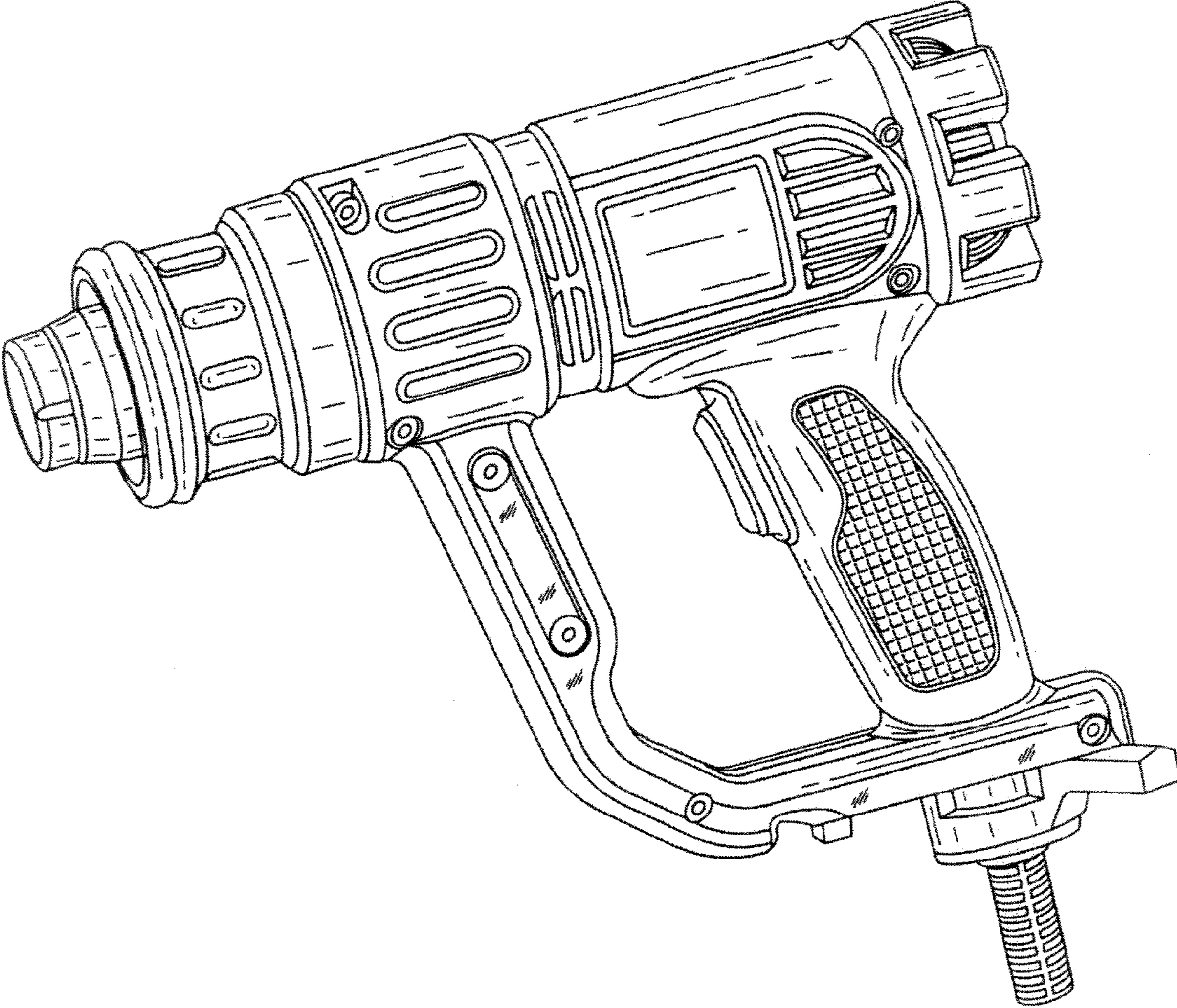


FIG. 1

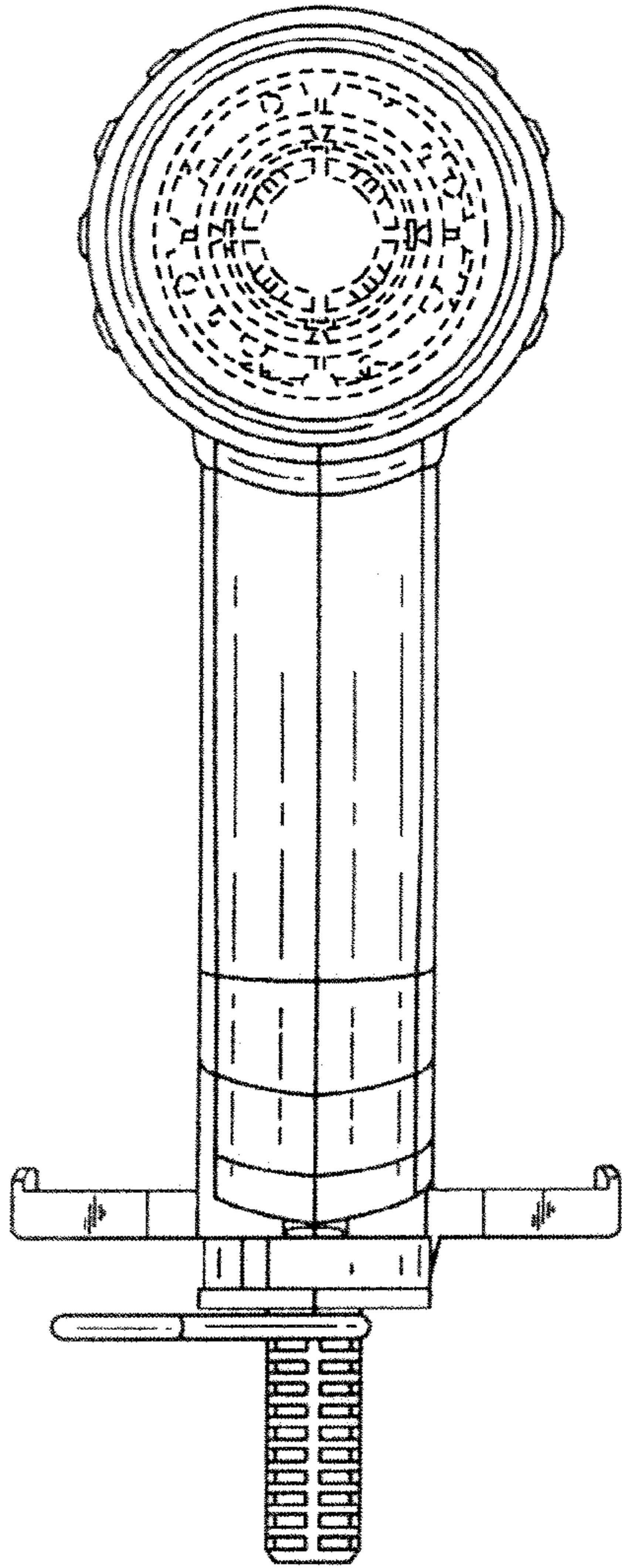


FIG. 2

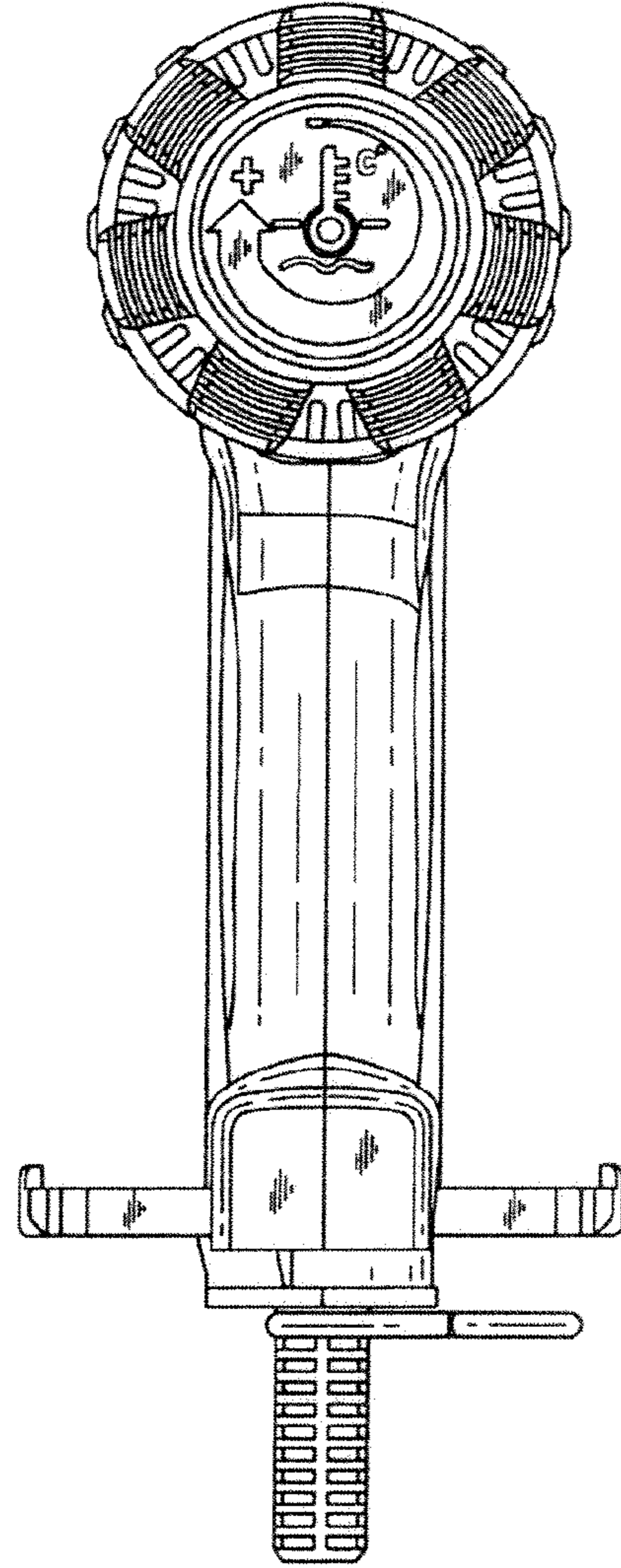


FIG. 3

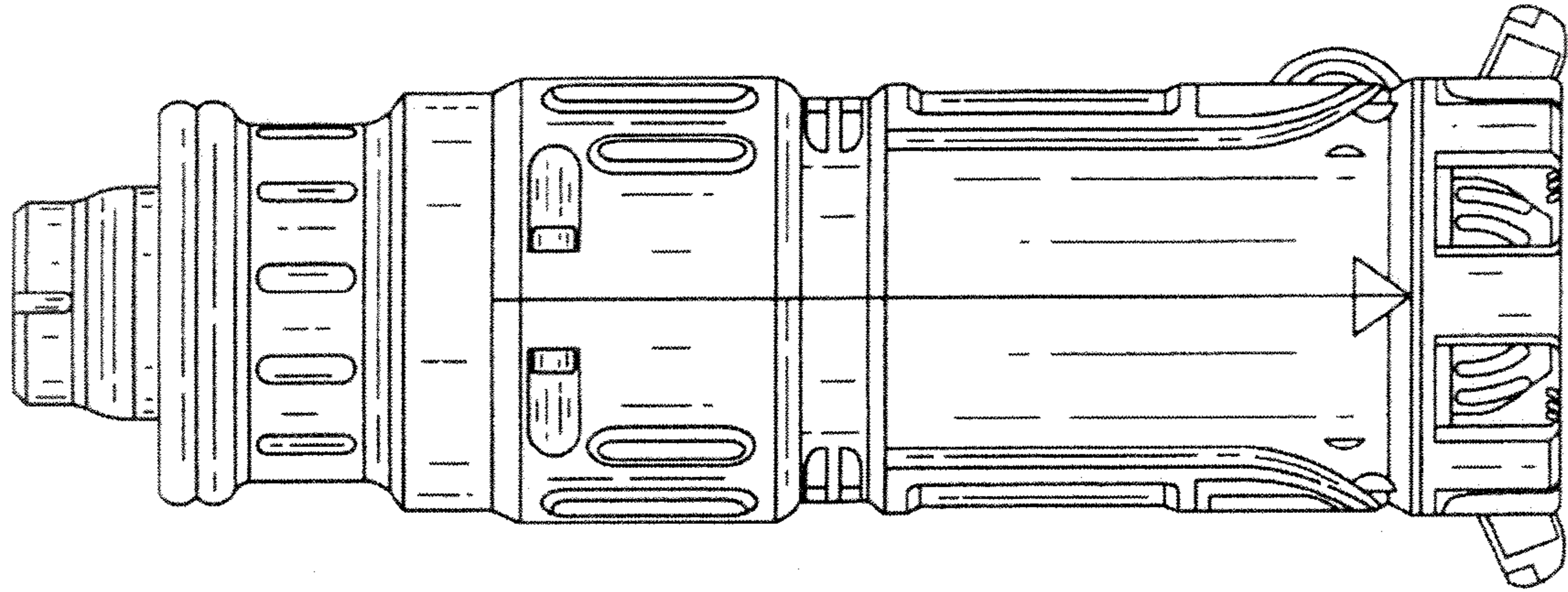


FIG. 4

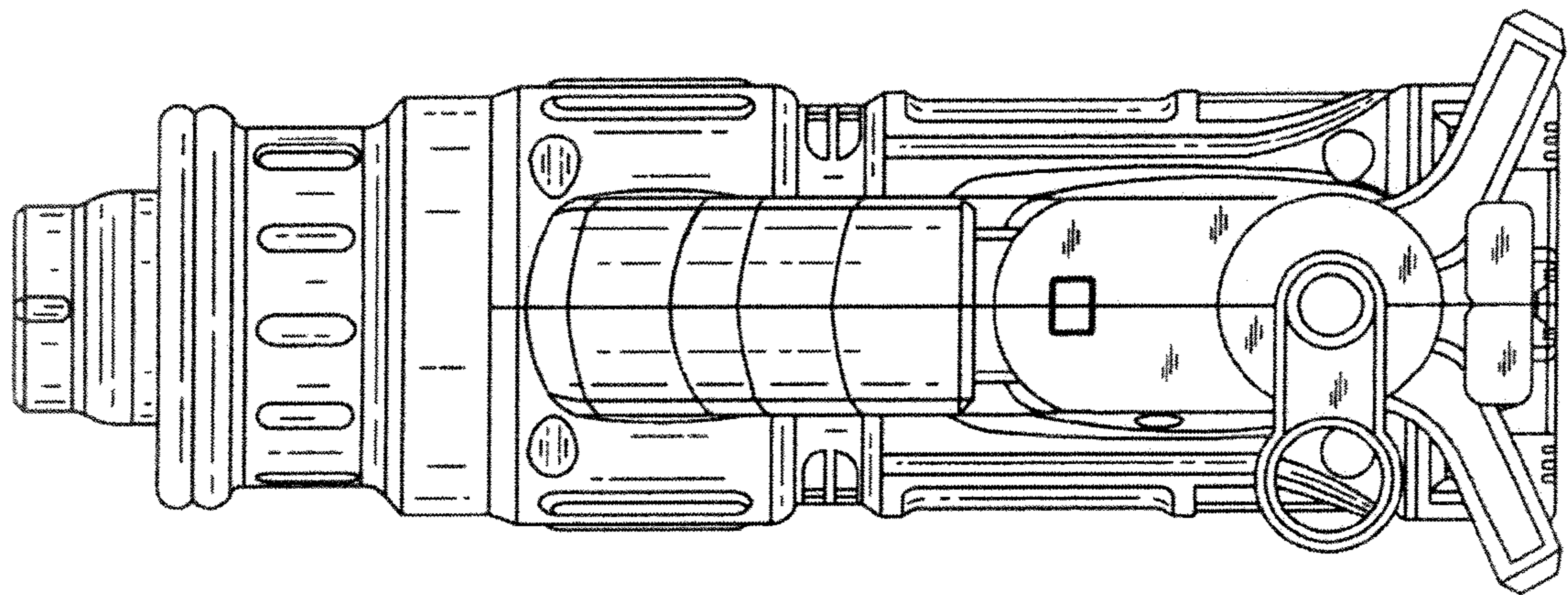


FIG. 5

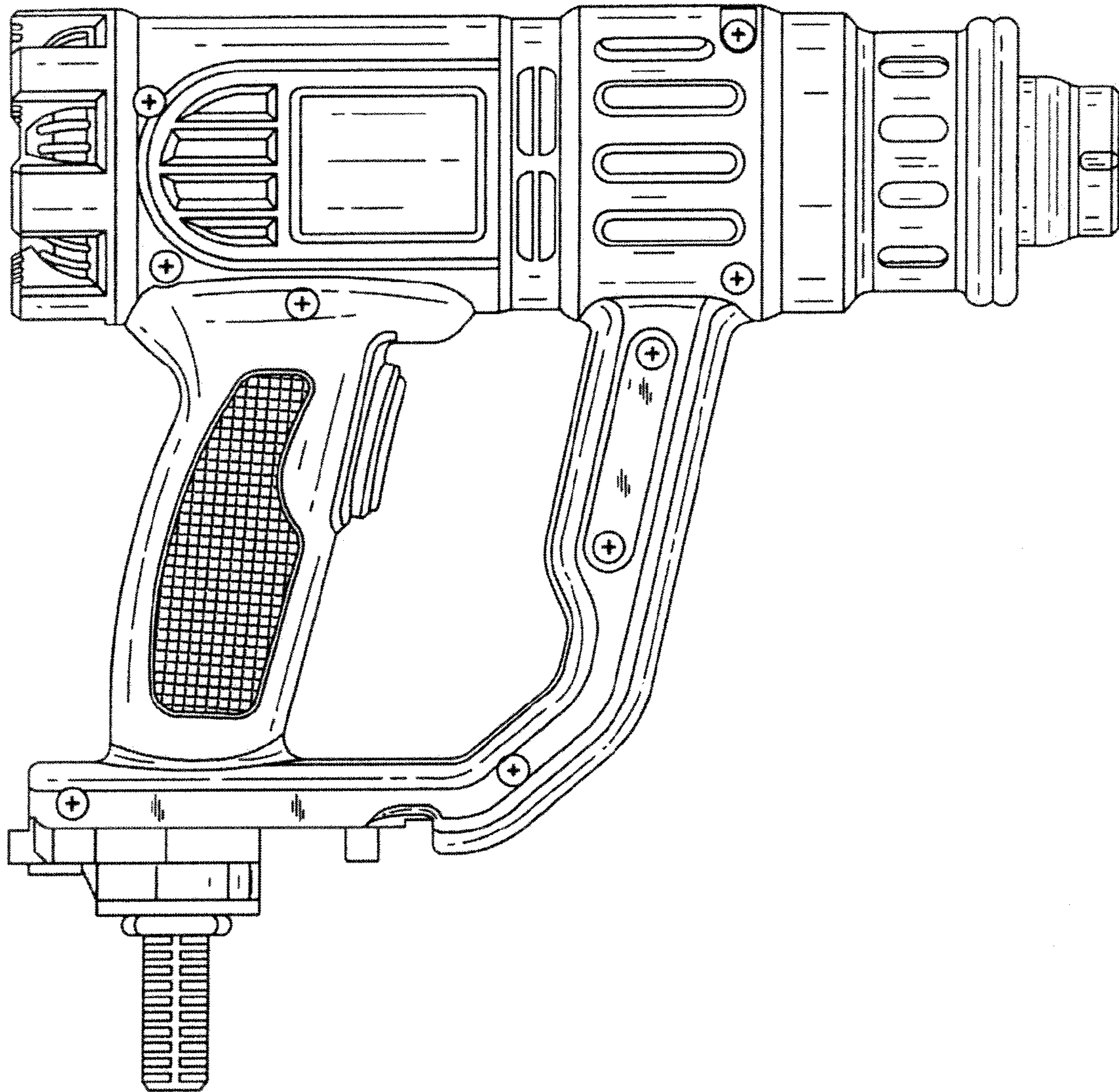


FIG. 6

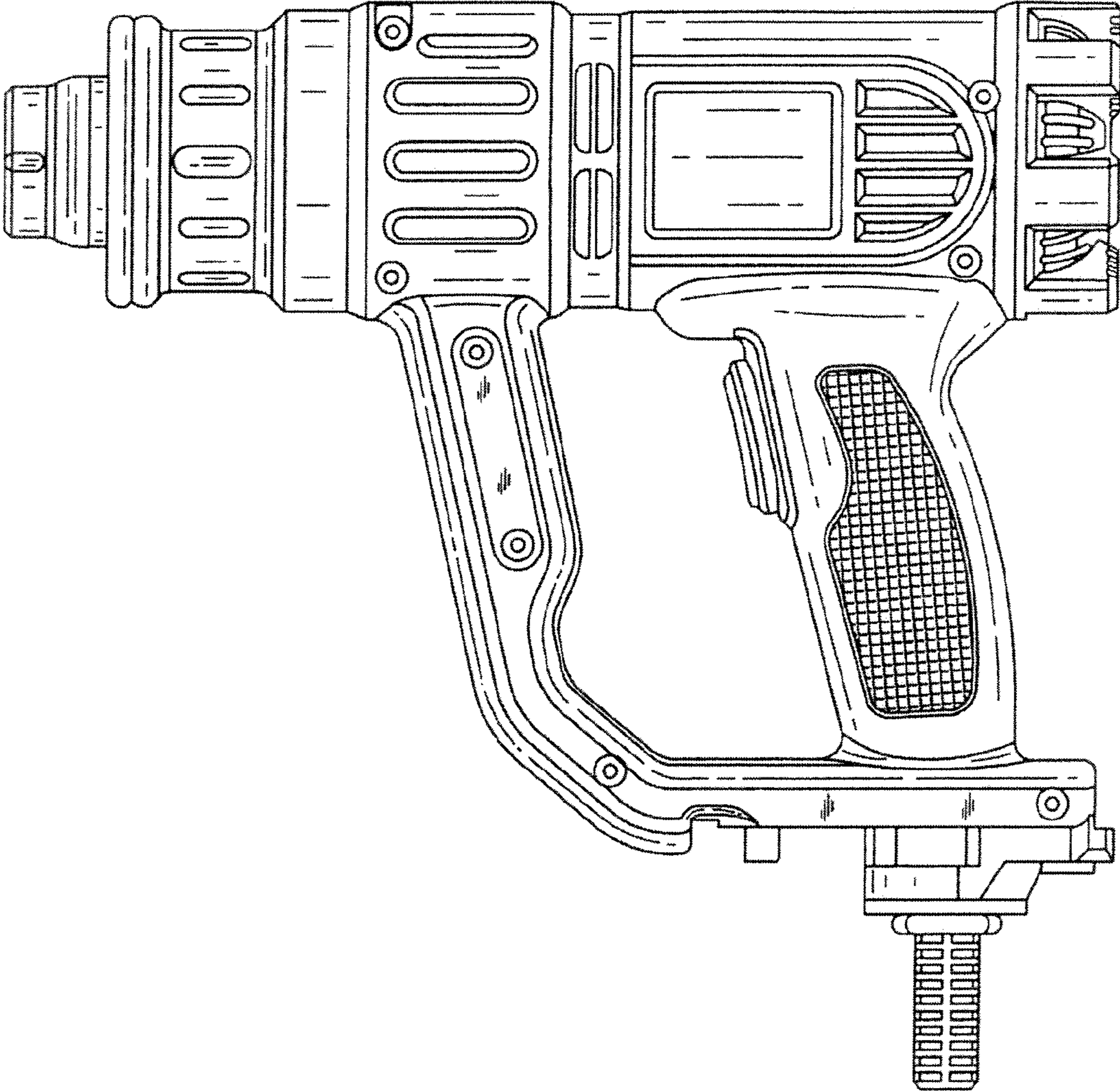


FIG. 7