

US00D615834S

(12) **United States Design Patent**
Netzler

(10) **Patent No.:** **US D615,834 S**

(45) **Date of Patent:** **** May 18, 2010**

(54) **HEAT GUN**

6,663,071 B2 12/2003 Peterson

6,722,617 B2 4/2004 Wilfer

(75) Inventor: **Sion Netzler**, Abingdon, MD (US)

(73) Assignee: **Black & Decker Inc.**, Newark, DE (US)

(**) Term: **14 Years**

(Continued)

FOREIGN PATENT DOCUMENTS

(21) Appl. No.: **29/312,959**

DE 816005 10/1951

(22) Filed: **Nov. 25, 2008**

(30) **Foreign Application Priority Data**

May 27, 2008 (EM) 000941372-0001

(Continued)

(51) **LOC (9) Cl.** **08-05**

(52) **U.S. Cl.** **D8/29.1**

(58) **Field of Classification Search** D8/29.1;
D28/13; 219/221, 222, 225, 227; 392/380,
392/381, 382, 383, 384, 385

See application file for complete search history.

Primary Examiner—Adir Aronovich

(74) *Attorney, Agent, or Firm*—Rhonda L. Barton; Scott B. Markow

(57) **CLAIM**

The ornamental design for a heat gun, as shown and described.

(56) **References Cited**

U.S. PATENT DOCUMENTS

- 4,021,012 A 5/1977 Miller
- 4,333,623 A 6/1982 May
- D288,841 S 3/1987 Steinel et al.
- D296,070 S * 6/1988 Cunningham D8/29.1
- 5,452,872 A 9/1995 Barnes et al.
- 5,632,459 A 5/1997 Brett
- D388,297 S * 12/1997 Bittenbender D8/29.1
- 5,887,531 A 3/1999 Covill
- D436,707 S 1/2001 Liao
- D456,679 S * 5/2002 Cheng D8/29.1
- D456,681 S 5/2002 Cheng
- D457,044 S * 5/2002 Cheng D8/29.1
- D457,407 S * 5/2002 Pretzell D8/29.1
- D458,524 S 6/2002 Cheng
- D458,818 S 6/2002 Cheng
- D461,383 S 8/2002 Blackburn
- D457,590 S 6/2003 Huang
- 6,585,199 B1 7/2003 Yu
- D479,680 S 9/2003 Blackburn
- D481,277 S * 10/2003 Waldron D8/29.1

DESCRIPTION

FIG. 1 is a perspective view of a heat gun showing my new design.

FIG. 2 is a front view of a heat gun according to FIG. 1.

FIG. 3 is a rear view of a heat gun according to FIG. 1.

FIG. 4 is a top view of a heat gun according to FIG. 1.

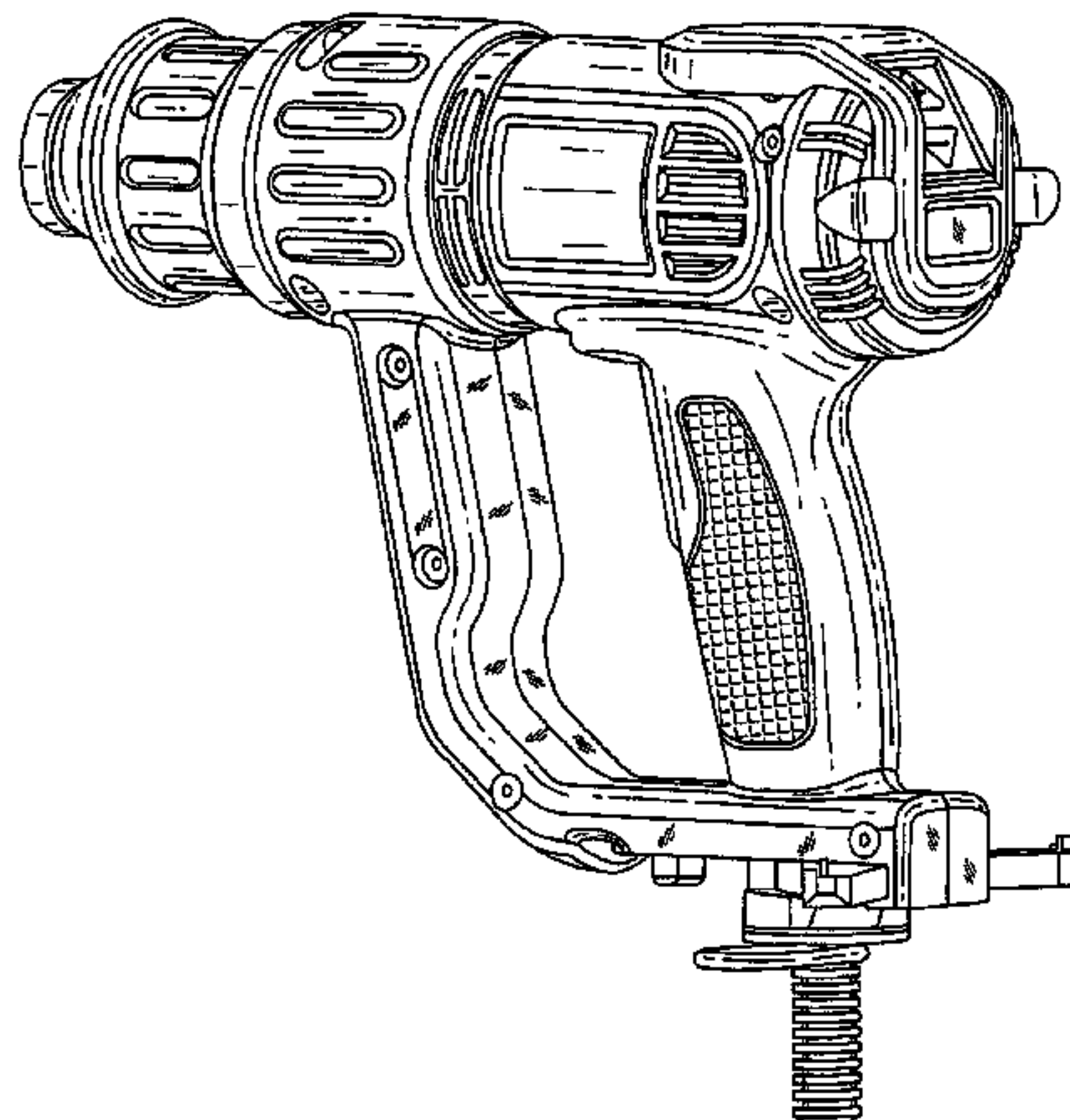
FIG. 5 is a bottom view of a heat gun according to FIG. 1.

FIG. 6 is a right side view of a heat gun according to FIG. 1; and,

FIG. 7 is a left side view of a heat gun according to FIG. 1.

The portions of the heat gun in FIG. 2 are shown to illustrate environment only and form no part of the claimed design.

1 Claim, 5 Drawing Sheets



US D615,834 S

Page 2

U.S. PATENT DOCUMENTS

6,873,791 B2 * 3/2005 Cheng 392/382
D552,443 S * 10/2007 Aglassinger et al. D8/29.1

FOREIGN PATENT DOCUMENTS

DE 1796345 9/1959

DE	1281647	2/1965
DE	1794340	3/1972
DE	4320299 A1	12/1993
DE	202005018801 U1	5/2006

* cited by examiner

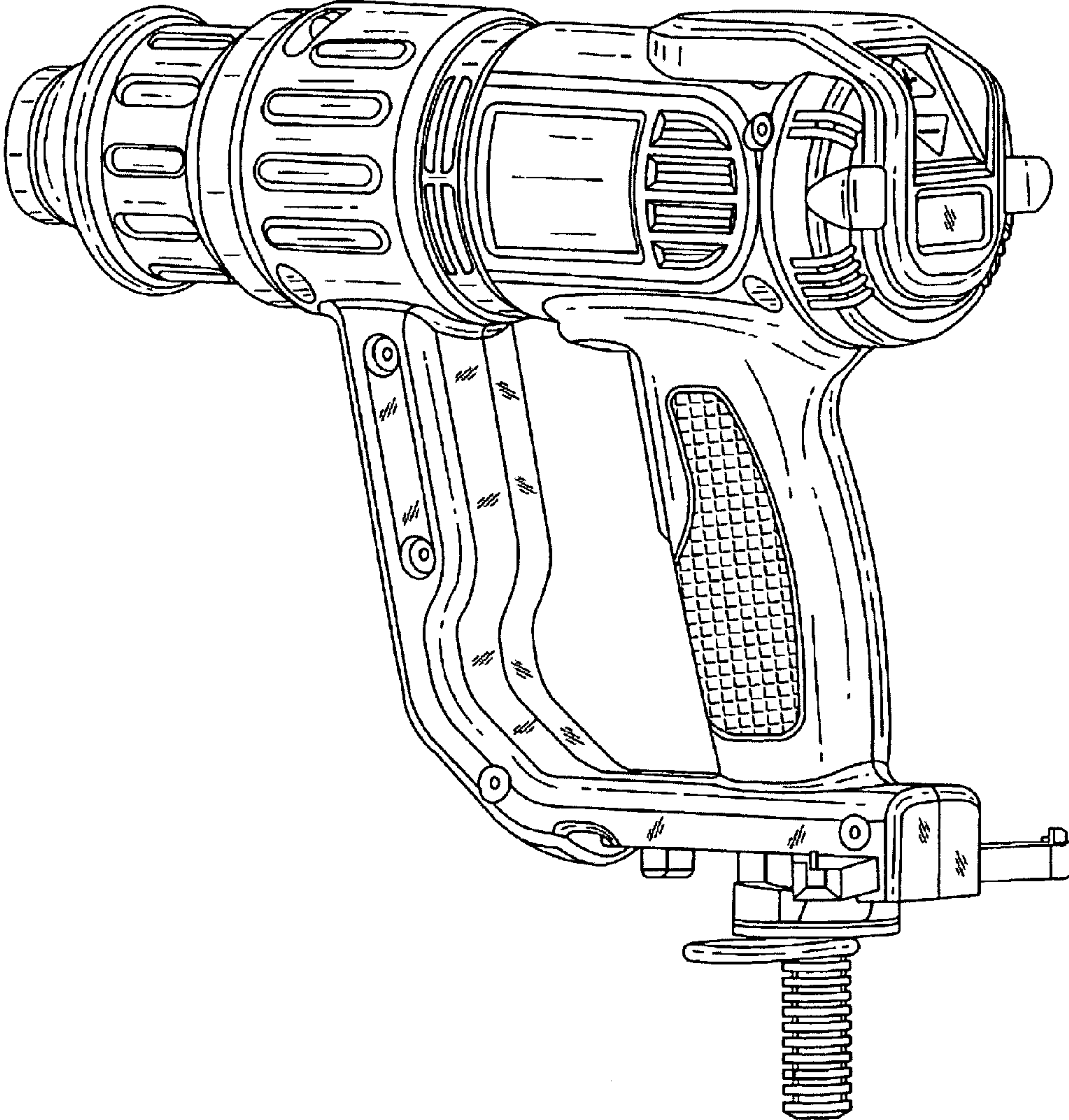


FIG. 1

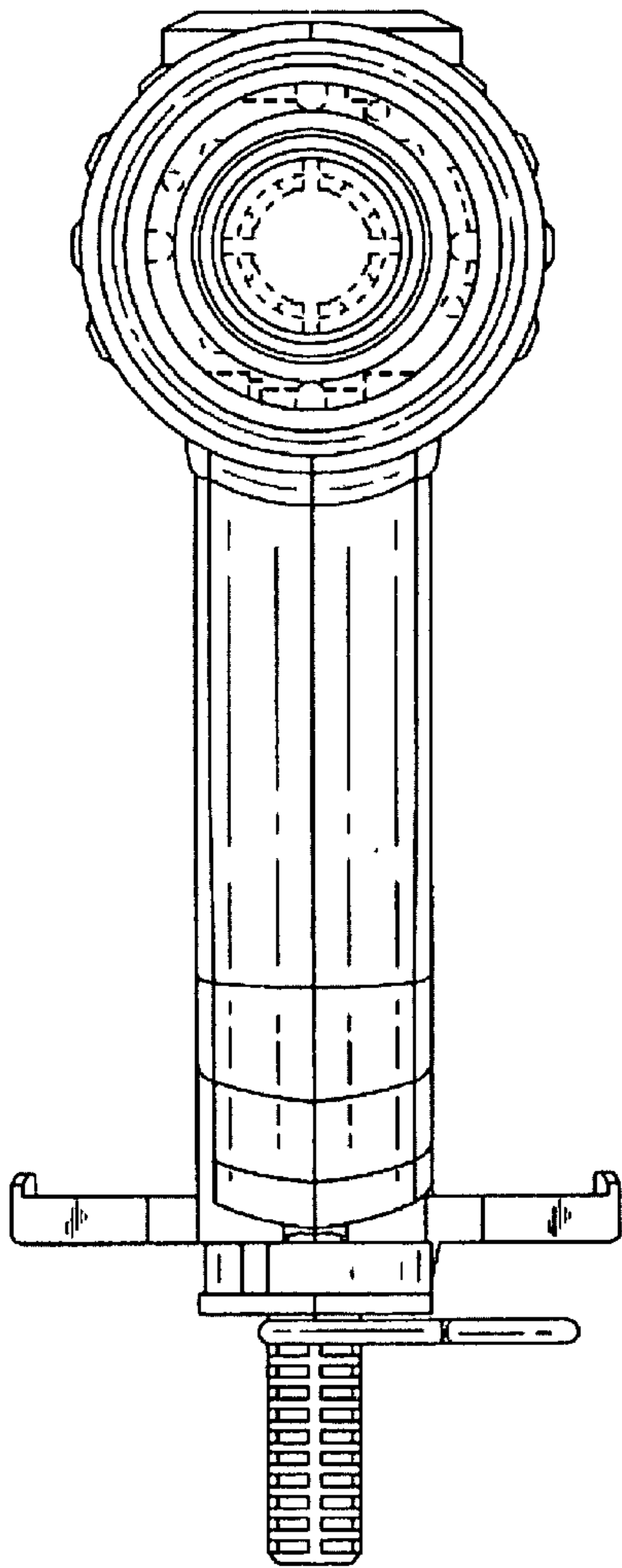


FIG. 2

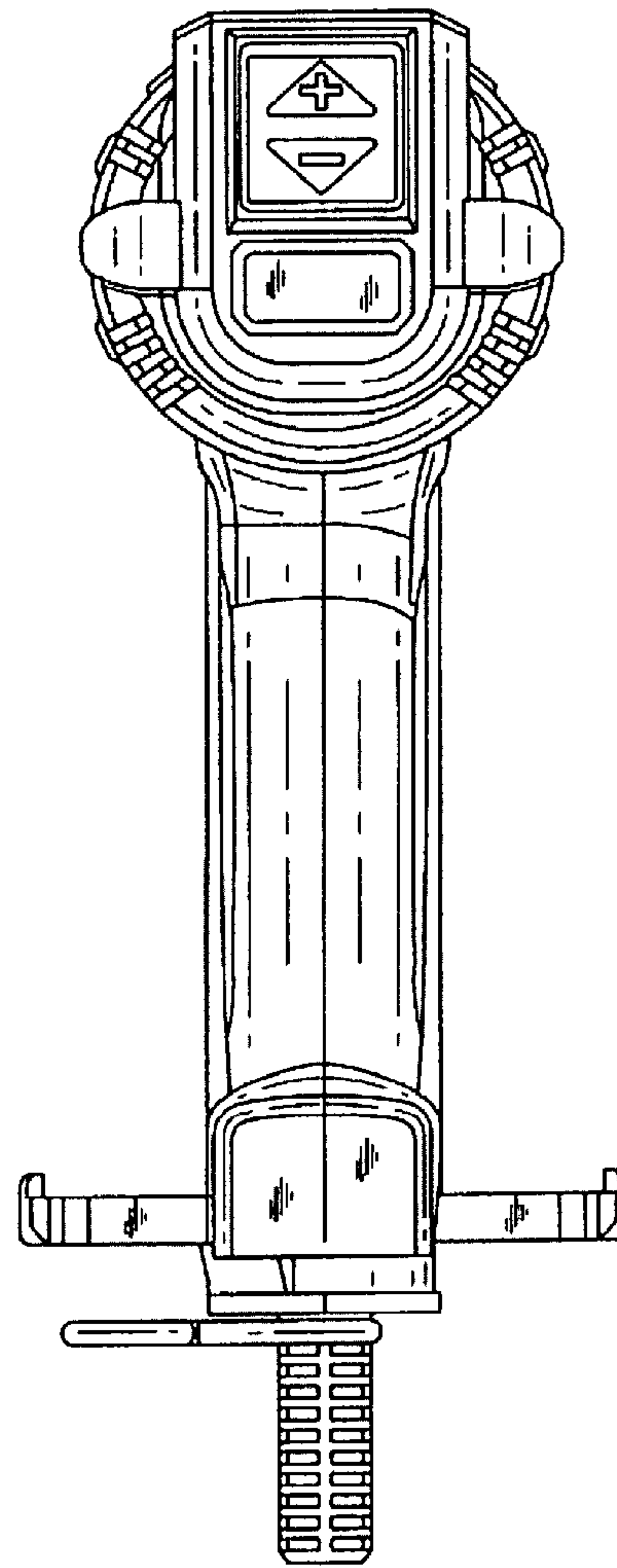


FIG. 3

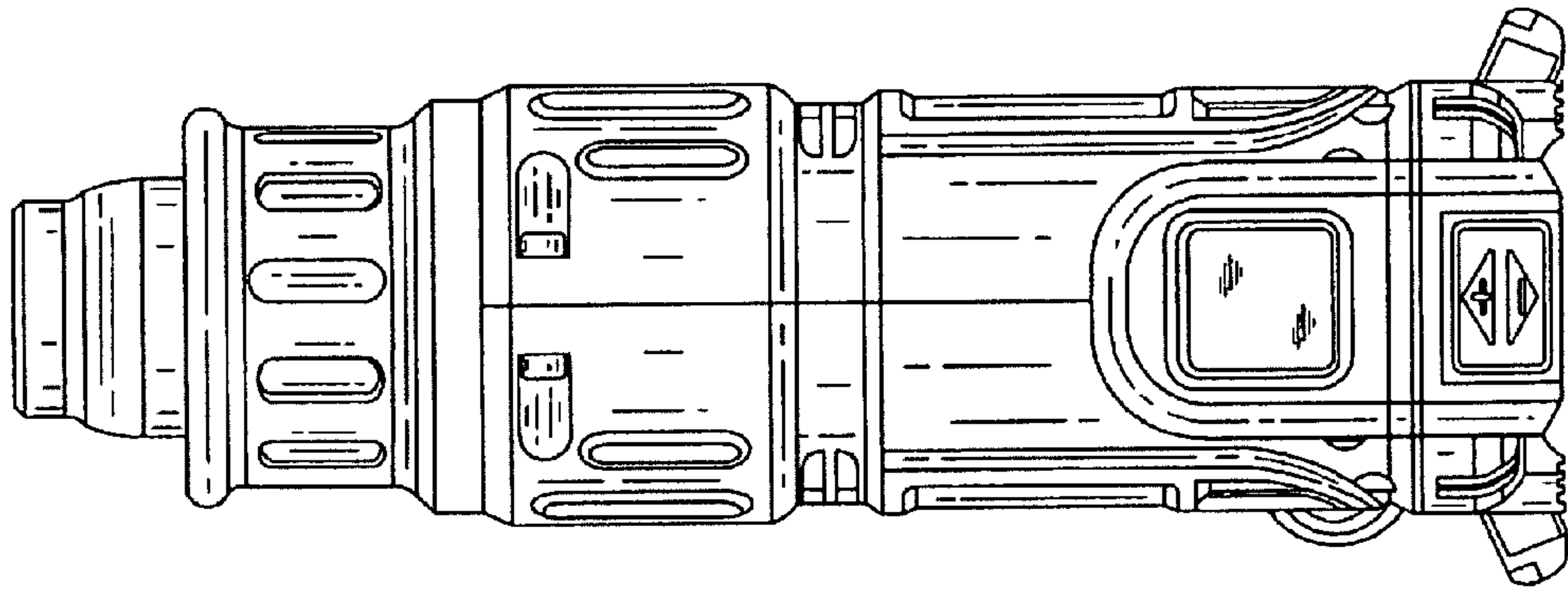


FIG. 4

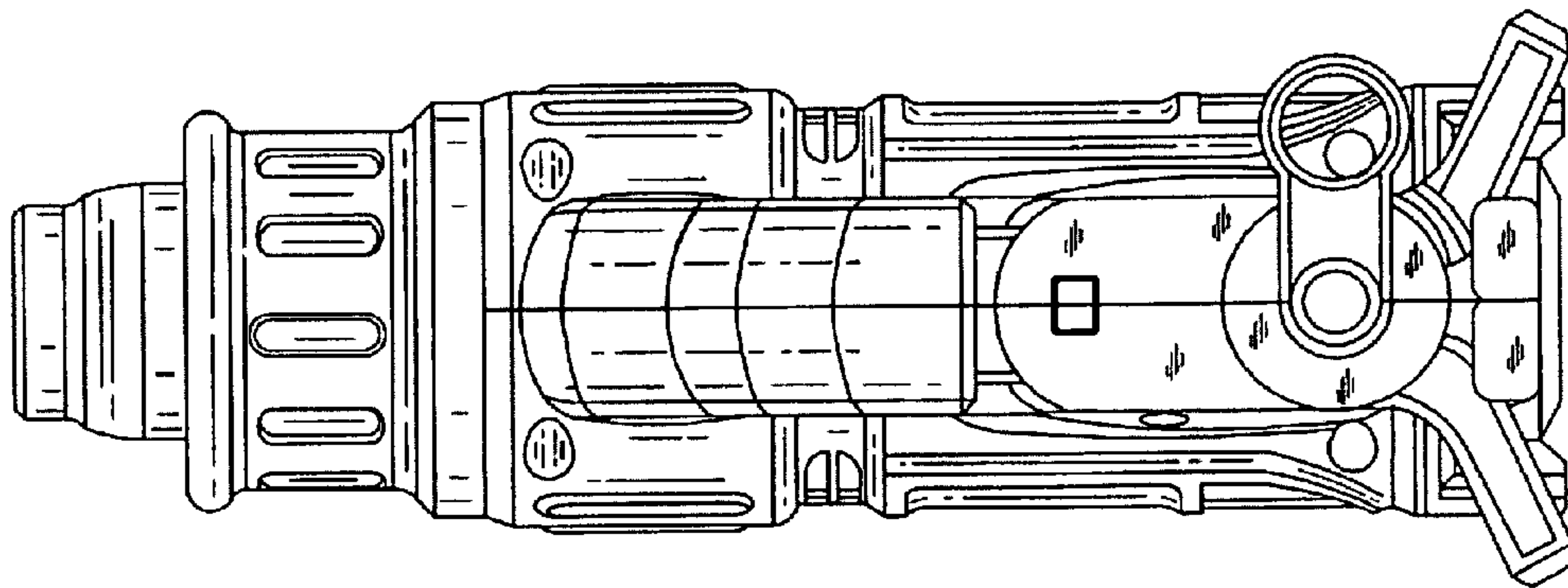


FIG. 5

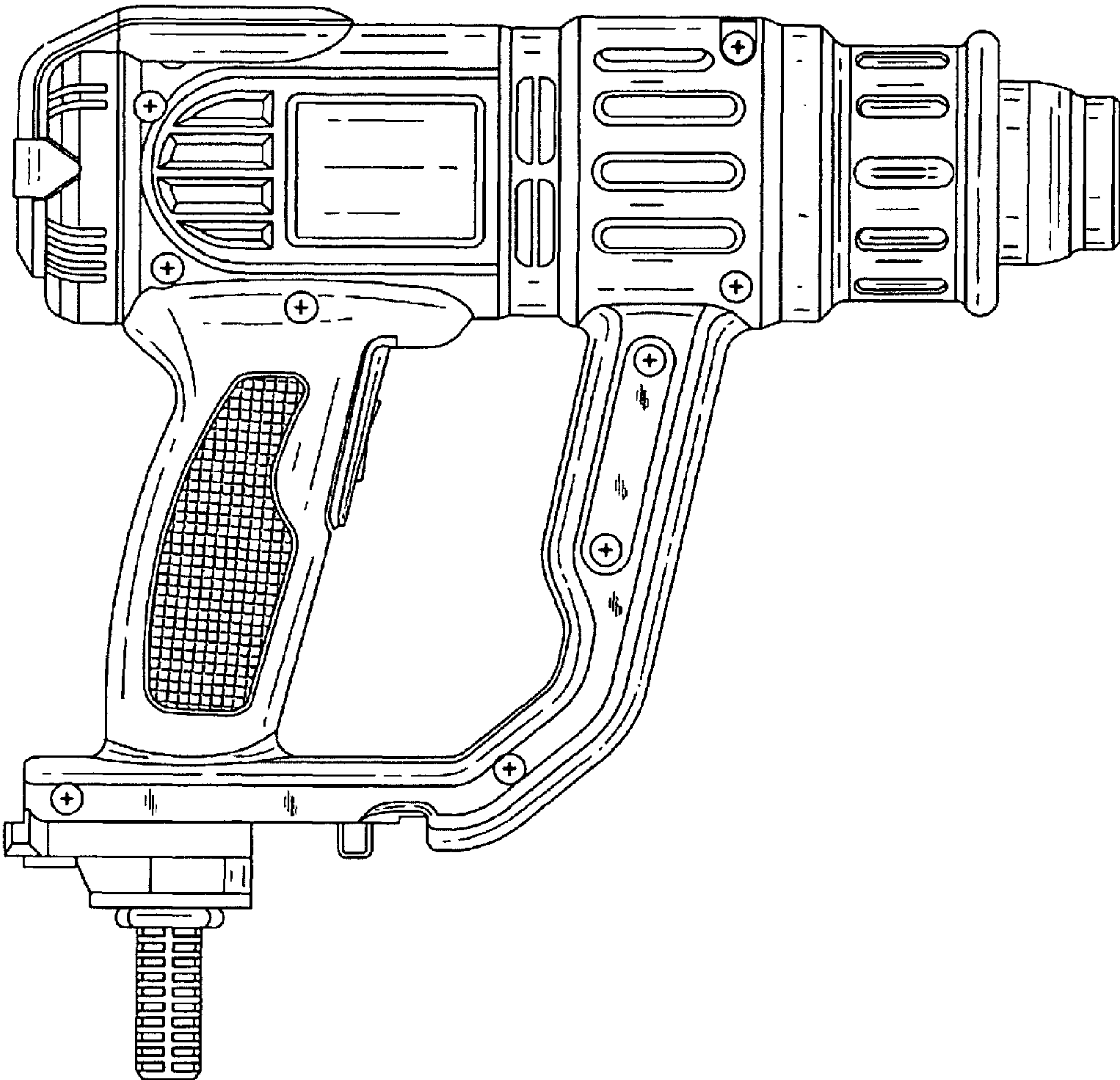


FIG. 6

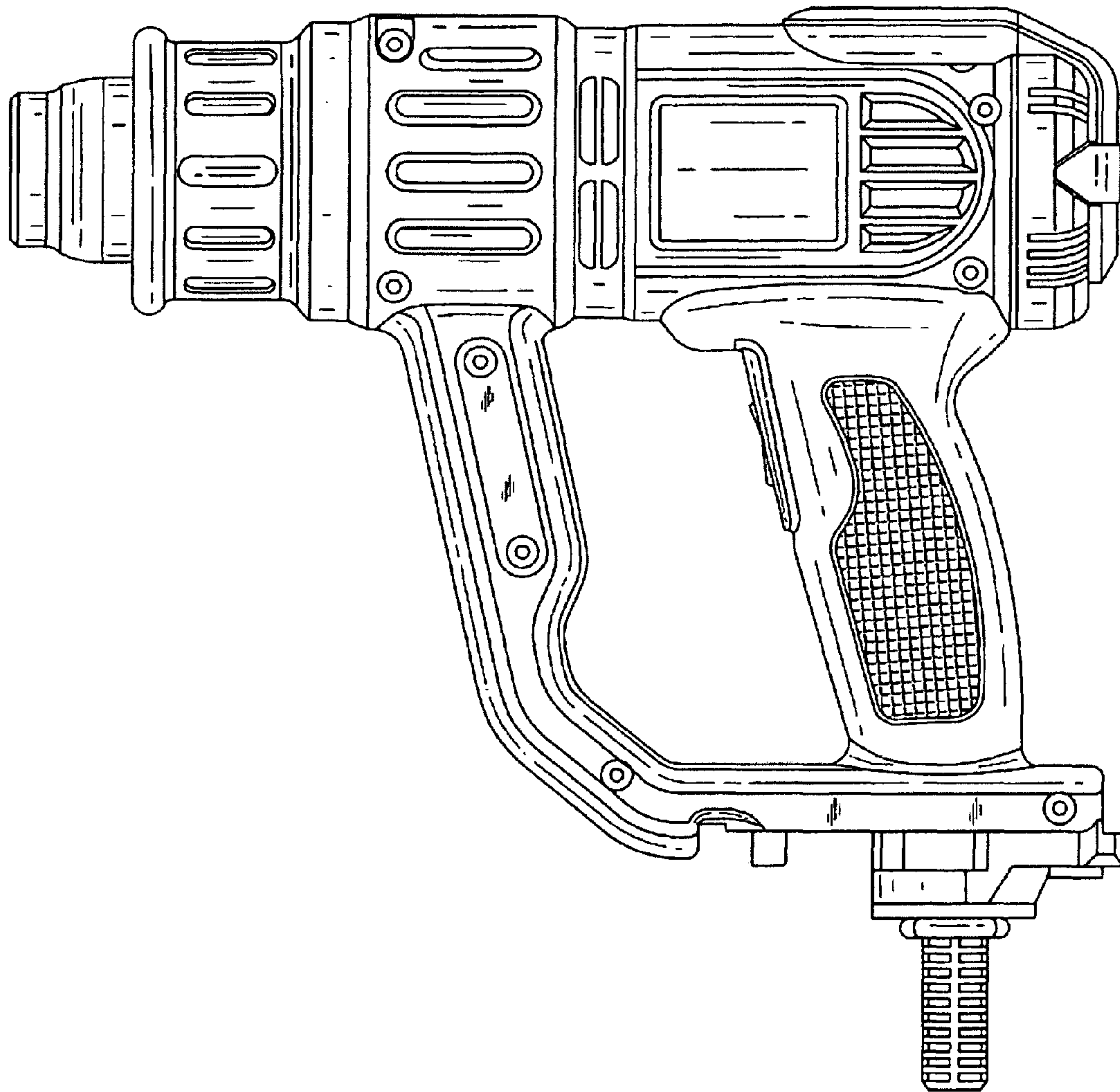


FIG. 7