

US00D615833S

(12) **United States Design Patent**  
**Elmelund**

(10) **Patent No.:** **US D615,833 S**  
(45) **Date of Patent:** **\*\* May 18, 2010**

(54) **CAULKING GUN**

D573,425 S \* 7/2008 Post et al. .... D8/14.1

(75) Inventor: **Jørgen Elmelund**, Greve (DK)

\* cited by examiner

(73) Assignee: **Kroger A/S**, Greve (DK)

*Primary Examiner*—Holly H Baynham

*Assistant Examiner*—Sheryl Lane

(\*\*) Term: **14 Years**

(74) *Attorney, Agent, or Firm*—Millen, White, Zelano & Branigan, P.C.

(21) Appl. No.: **29/323,997**

(22) Filed: **Sep. 4, 2008**

(57) **CLAIM**

The new ornamental design for a caulking gun, as shown and described.

(30) **Foreign Application Priority Data**

Mar. 4, 2008 (EP) ..... 890413

**DESCRIPTION**

(51) **LOC (9) Cl.** ..... **08-05**

(52) **U.S. Cl.** ..... **D8/14.1**

(58) **Field of Classification Search** ..... D8/14.1,

D8/29.1, 51, 61; 222/321.1, 309, 160, 174,

222/82, 323, 325, 137, 83.5, 391

See application file for complete search history.

FIG. 1 is a side perspective view of the caulking gun;

FIG. 2 is a top perspective view of the caulking gun;

FIG. 3 is a front view of the caulking gun;

FIG. 4 is a rear view of the caulking gun;

FIG. 5 is a top view of the caulking gun;

FIG. 6 is a side view one side of the caulking gun; and,

FIG. 7 is a side view of the other side of the caulking gun.

An ornamental design for a caulking gun used for dispensing caulk.

(56) **References Cited**

**U.S. PATENT DOCUMENTS**

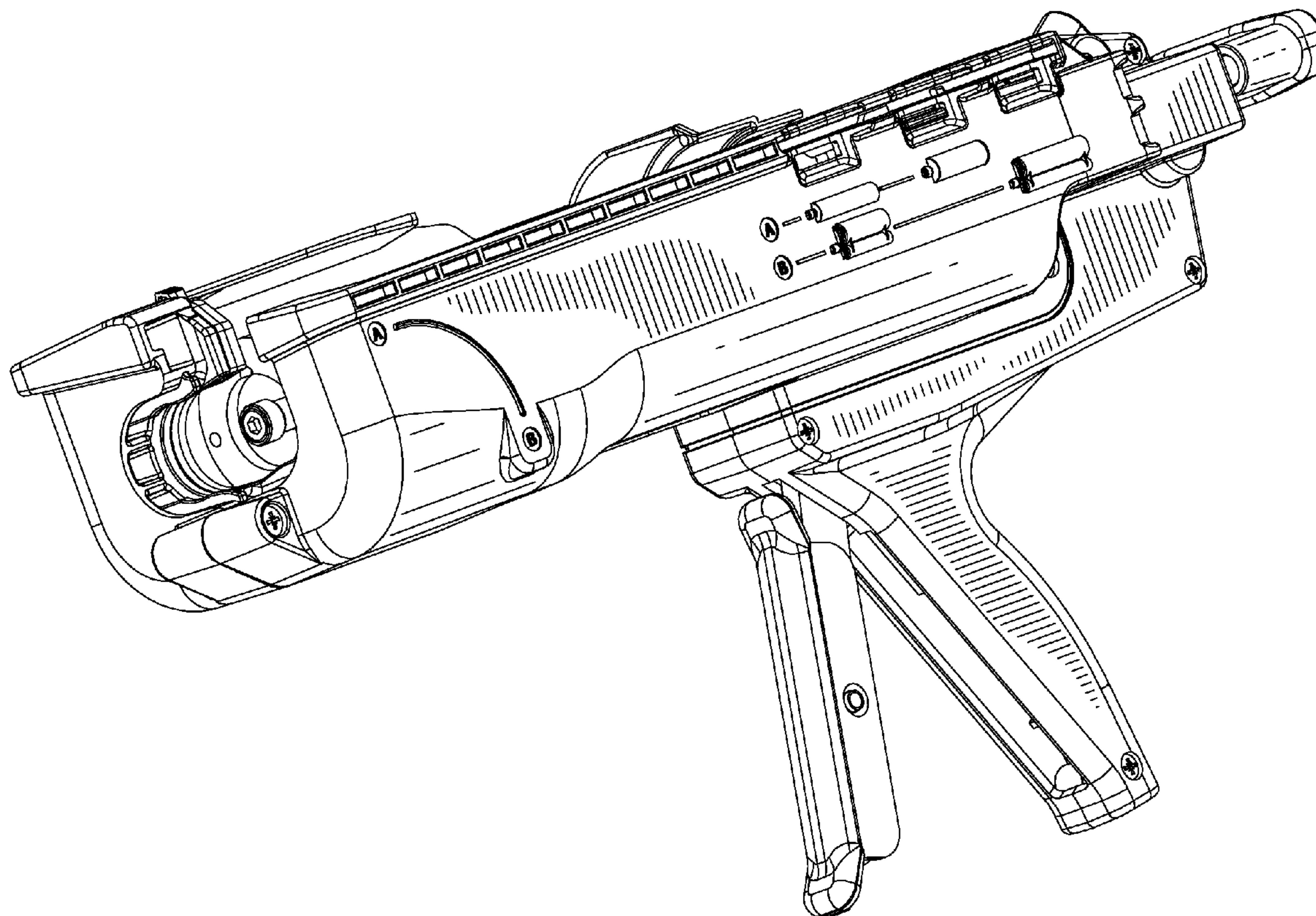
D413,235 S \* 8/1999 Hwang ..... D8/14.1

D511,077 S \* 11/2005 Huang ..... D8/14.1

D520,820 S \* 5/2006 Chang et al. .... D8/14.1

D567,039 S \* 4/2008 Hughes et al. .... D8/14.1

**1 Claim, 6 Drawing Sheets**



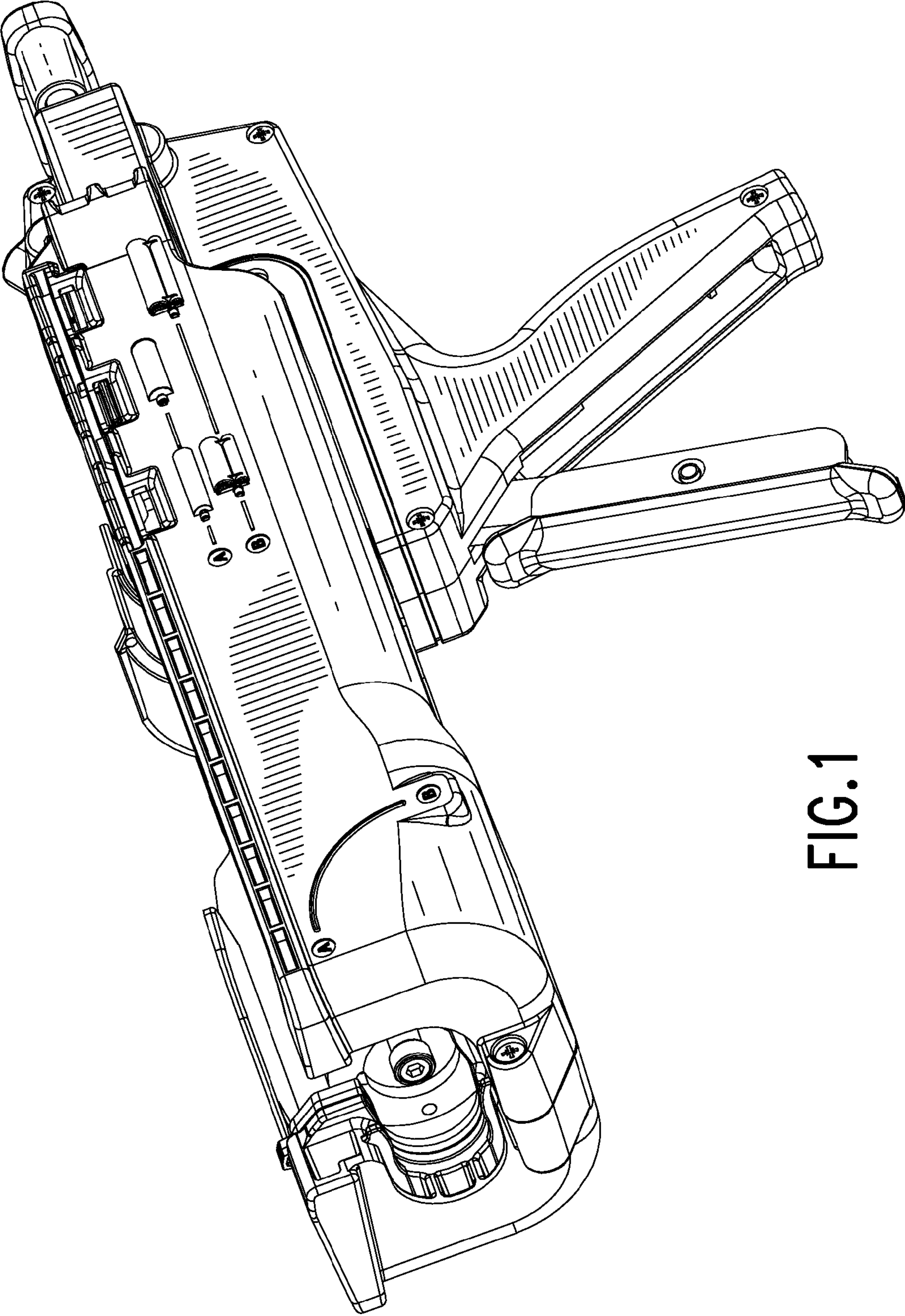


FIG. 1



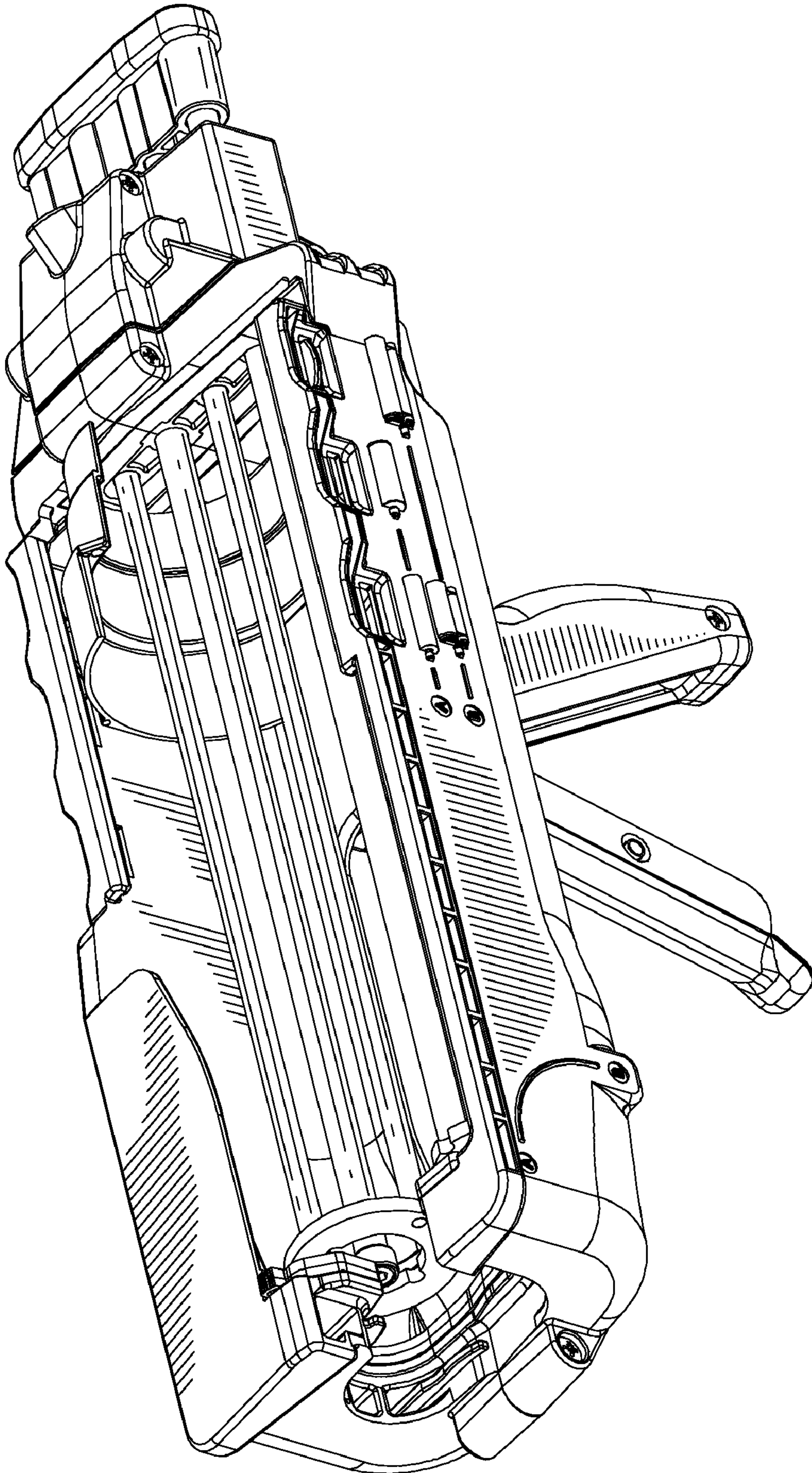


FIG.2

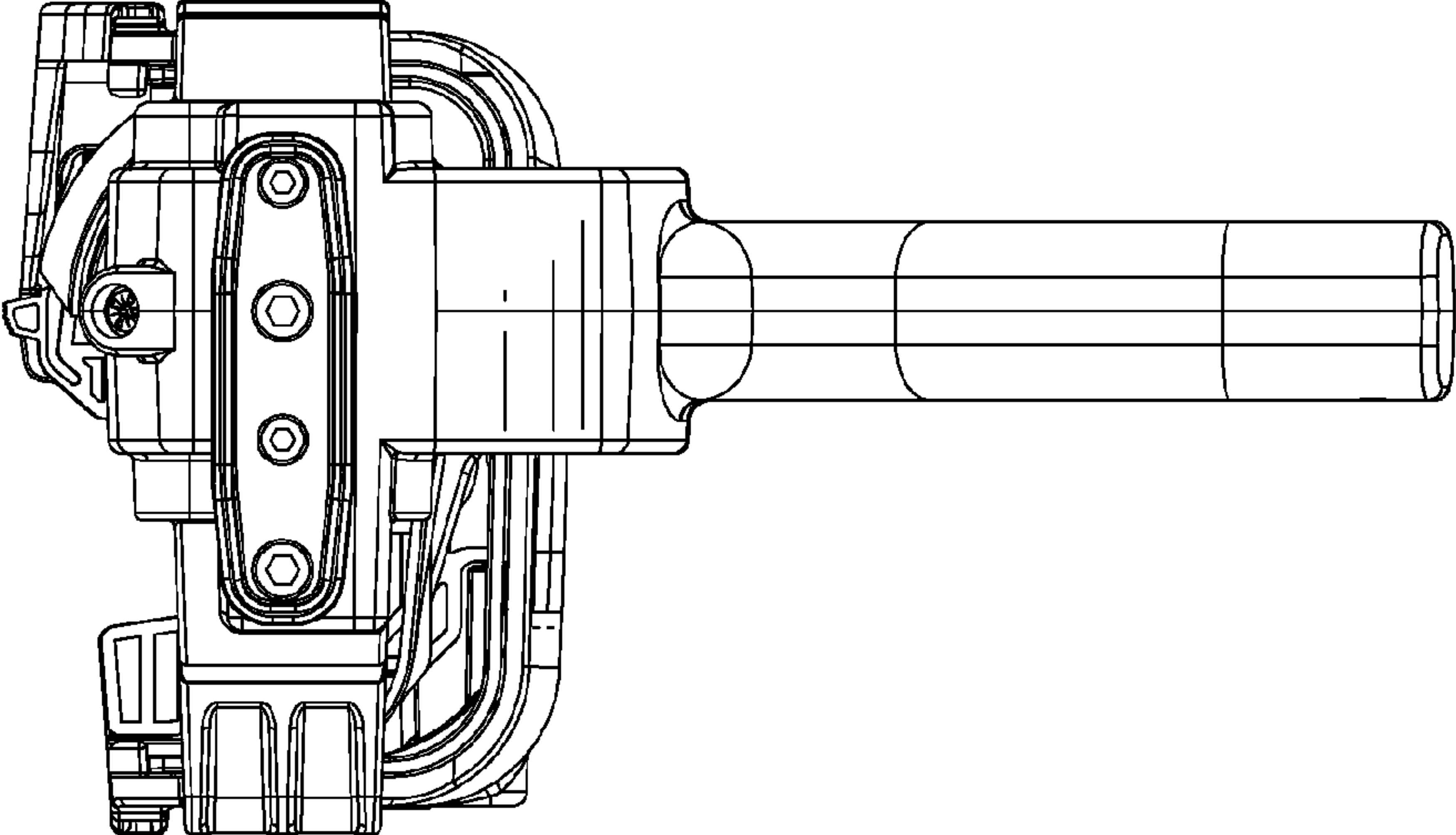


FIG.4

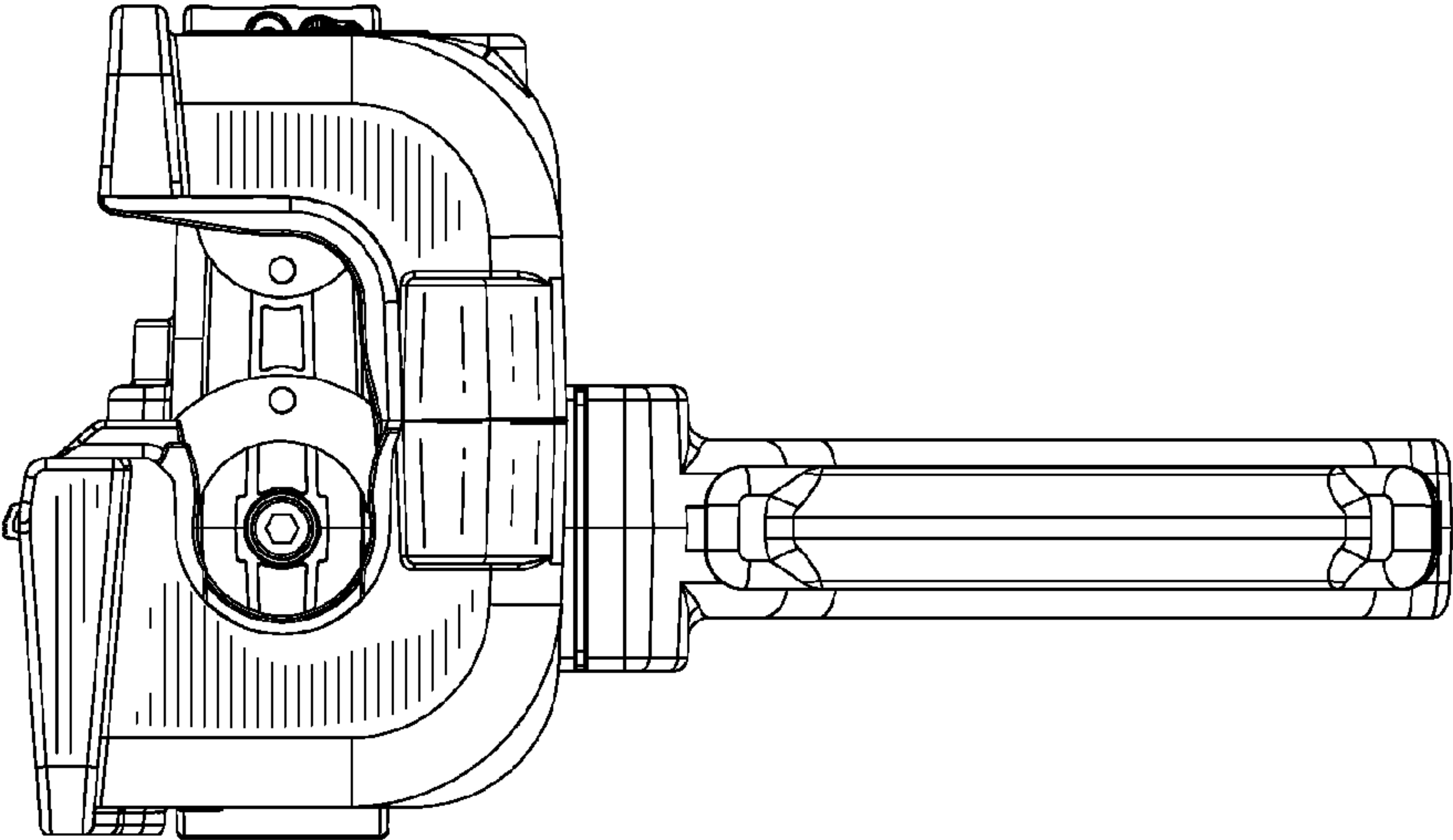


FIG.3

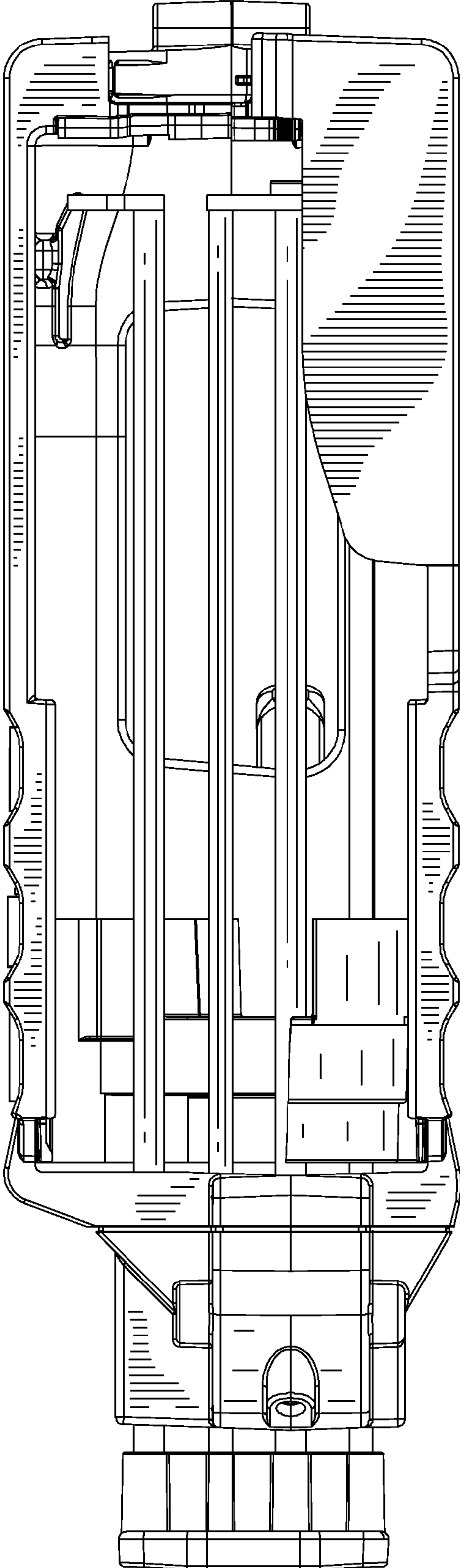


FIG. 5

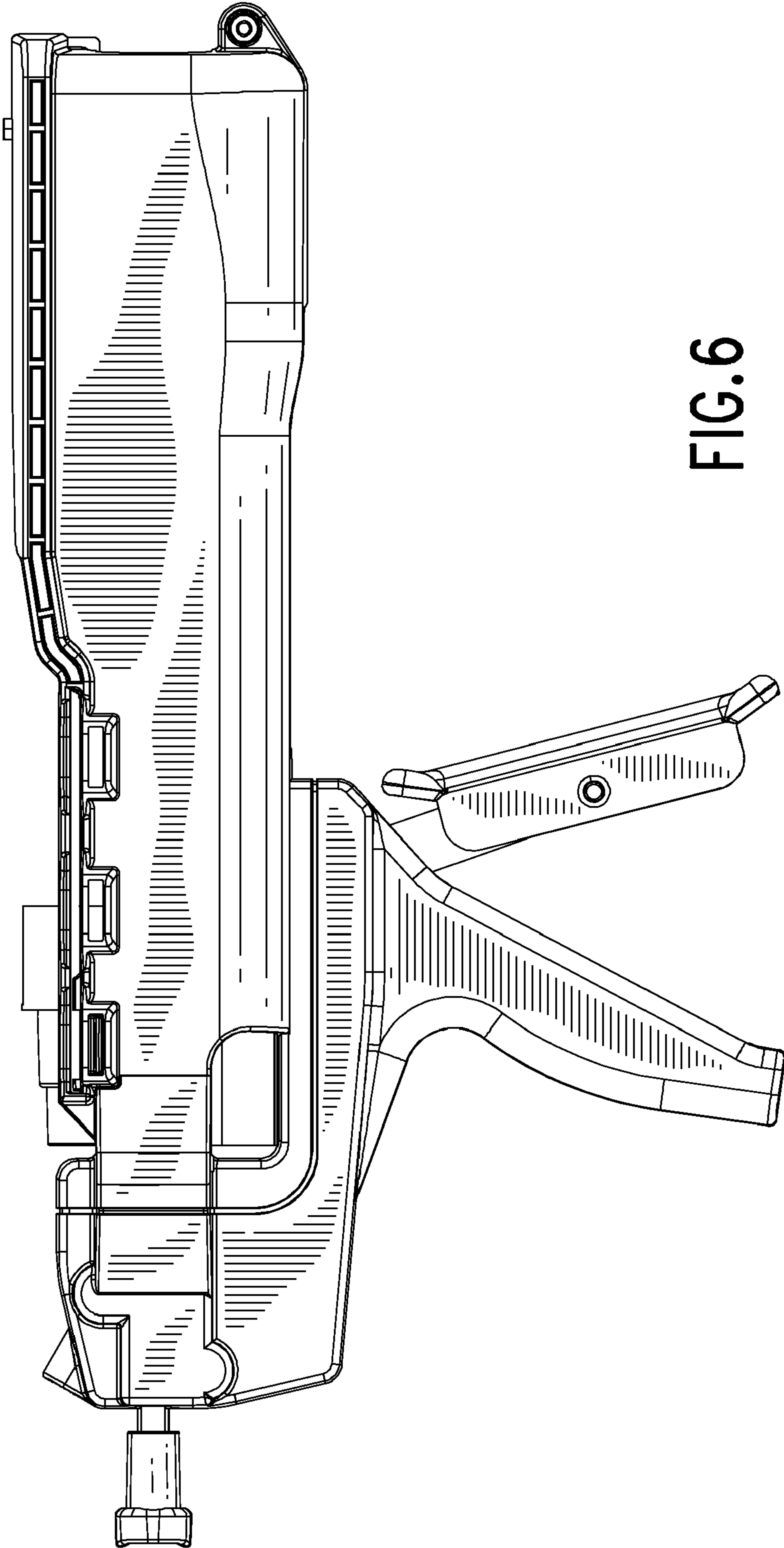


FIG. 6

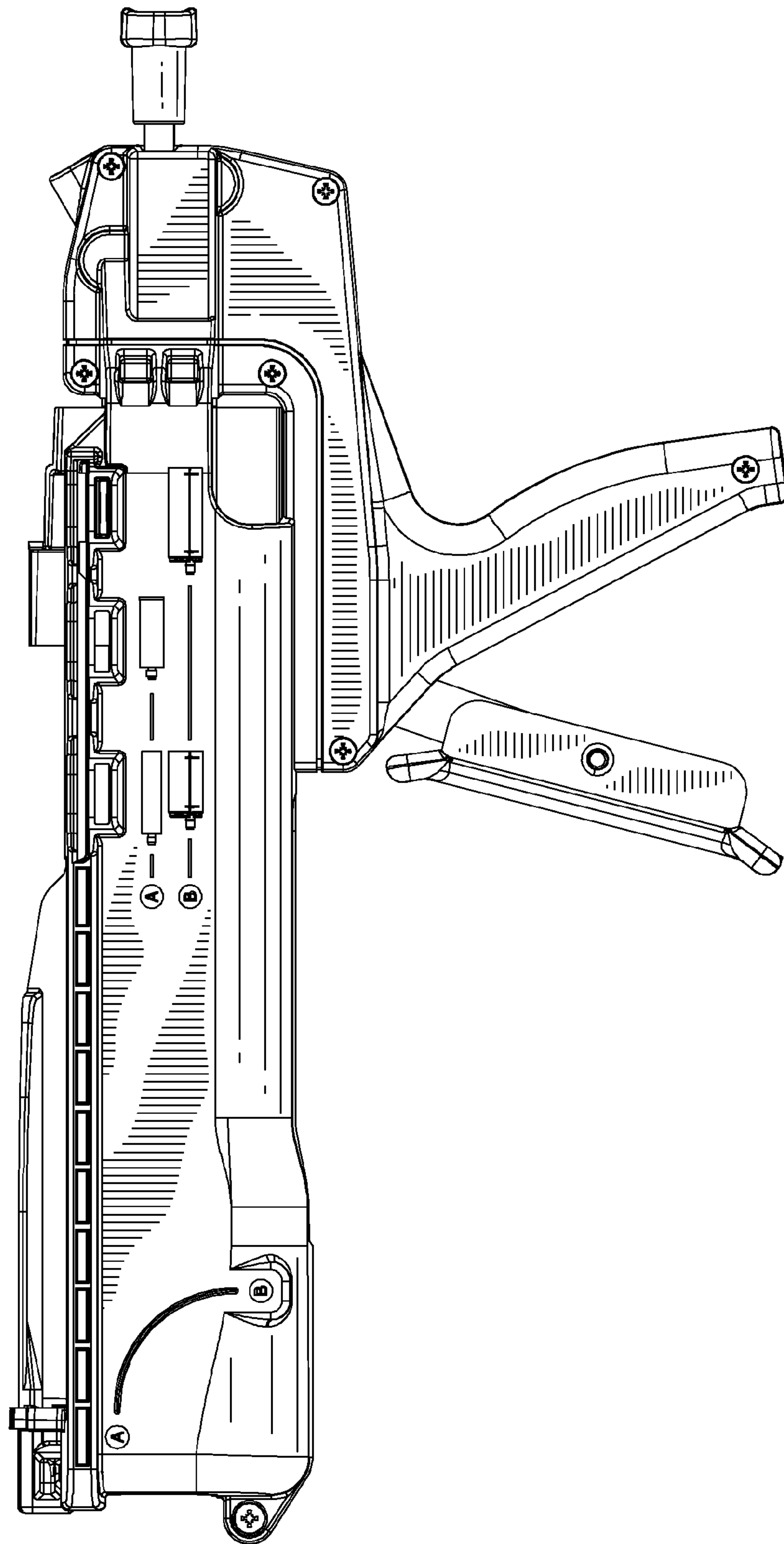


FIG.7