



US00D615826S

(12) **United States Design Patent**
Tsui

(10) **Patent No.:** **US D615,826 S**

(45) **Date of Patent:** **** May 18, 2010**

(54) **2-IN-1 CUTTING BOARD**

(76) Inventor: **Sam Tung Tsui**, Unit E, 11th Floor,
Summit Building, 30 Man Yue Street,
Hung Hom, Kowloon, Hong Kong (CN)

(**) Term: **14 Years**

(21) Appl. No.: **29/311,267**

(22) Filed: **Feb. 4, 2009**

(51) **LOC (9) Cl.** **07-04**

(52) **U.S. Cl.** **D7/698**

(58) **Field of Classification Search** D7/388,
D7/409, 505, 549, 552.2, 553.5, 553.8, 554.2,
D7/555, 566, 587, 624.1, 637-638, 667, 673,
D7/696, 698-699; 99/446, 449; 241/273.2;
269/13-16, 54.5, 289 R, 291-292, 297-298,
269/302.1

See application file for complete search history.

(56) **References Cited**

U.S. PATENT DOCUMENTS

D183,947 S *	11/1958	Quistgaard	D7/673
D212,494 S *	10/1968	Gruber	D7/698
D304,276 S *	10/1989	Wolff et al.	D7/698
D416,768 S *	11/1999	Lisser et al.	D7/698
D424,891 S *	5/2000	Kaposi	D7/698
D464,237 S *	10/2002	Kaposi	D7/698
6,702,273 B1 *	3/2004	Sellers	269/289 R
D571,167 S *	6/2008	McCammon	D7/698
D584,117 S *	1/2009	Curtin	D7/698

* cited by examiner

Primary Examiner—Caron Veynar

Assistant Examiner—Ricky Pham

(74) *Attorney, Agent, or Firm*—The Nath Law Group; Jerald L. Meyer; Jiaxiao Zhang

(57) **CLAIM**

The ornamental design for a 2-in-1 cutting board, as shown and described.

DESCRIPTION

FIG. 1 is a perspective view of a first exemplary of a 2-in-1 cutting board showing my new design;

FIG. 2 is a top view of the first exemplary cutting board embodiment shown in FIG. 1;

FIG. 3 is a bottom view of the first exemplary cutting board embodiment shown in FIG. 1;

FIGS. 4 and 5 are side views of the first exemplary cutting board embodiment shown in FIG. 1;

FIG. 6 is a perspective view of a second exemplary of a 2-in-1 cutting board showing my new design;

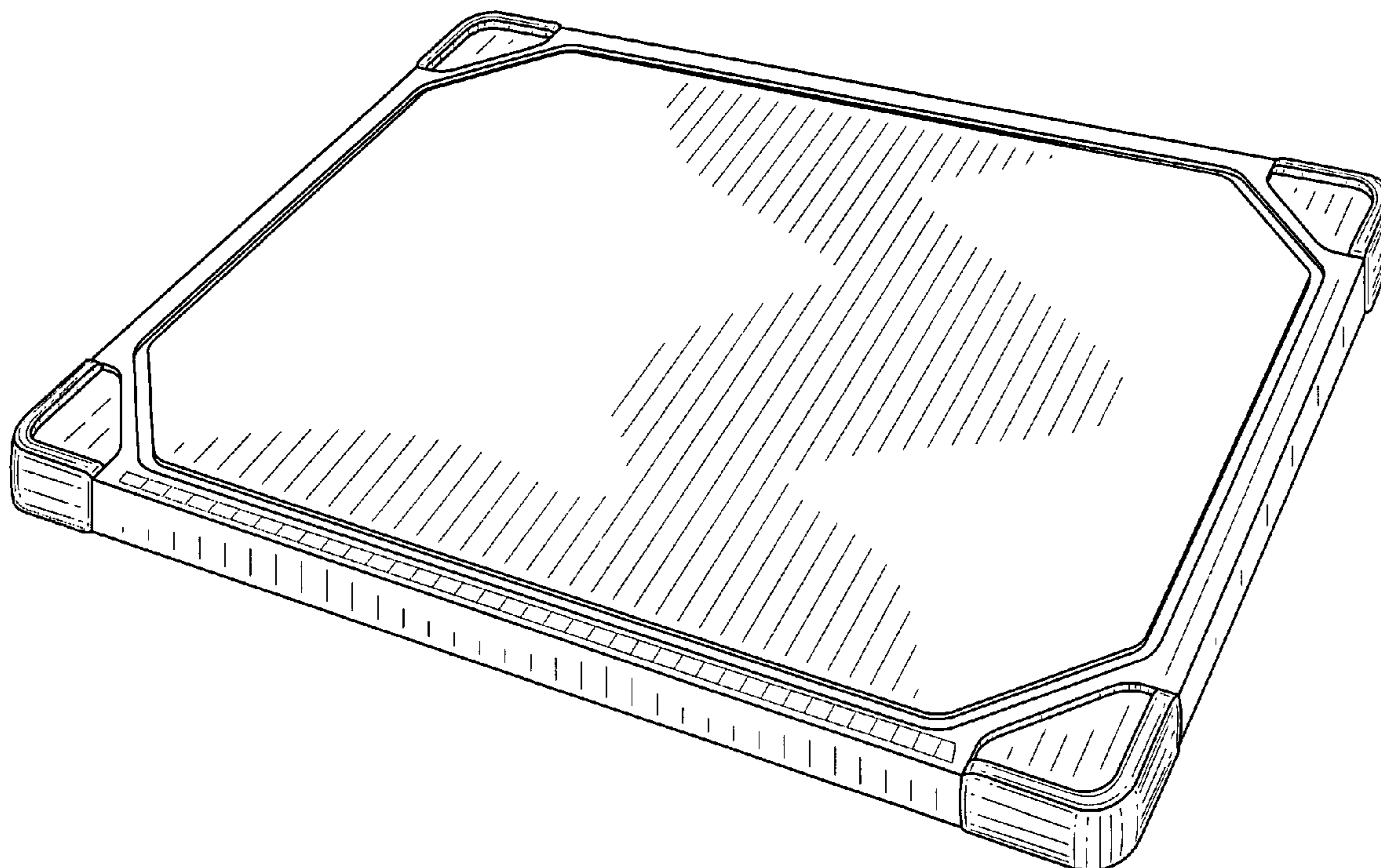
FIG. 7 is a top view of the second exemplary cutting board embodiment shown in FIG. 6;

FIG. 8 is a bottom view of the second exemplary cutting board embodiment shown in FIG. 6; and,

FIGS. 9 and 10 are side views of the second exemplary cutting board embodiment shown in FIG. 6.

The broken lines shown in the drawings are for illustrative purposes only and form no part of the claimed design.

1 Claim, 8 Drawing Sheets



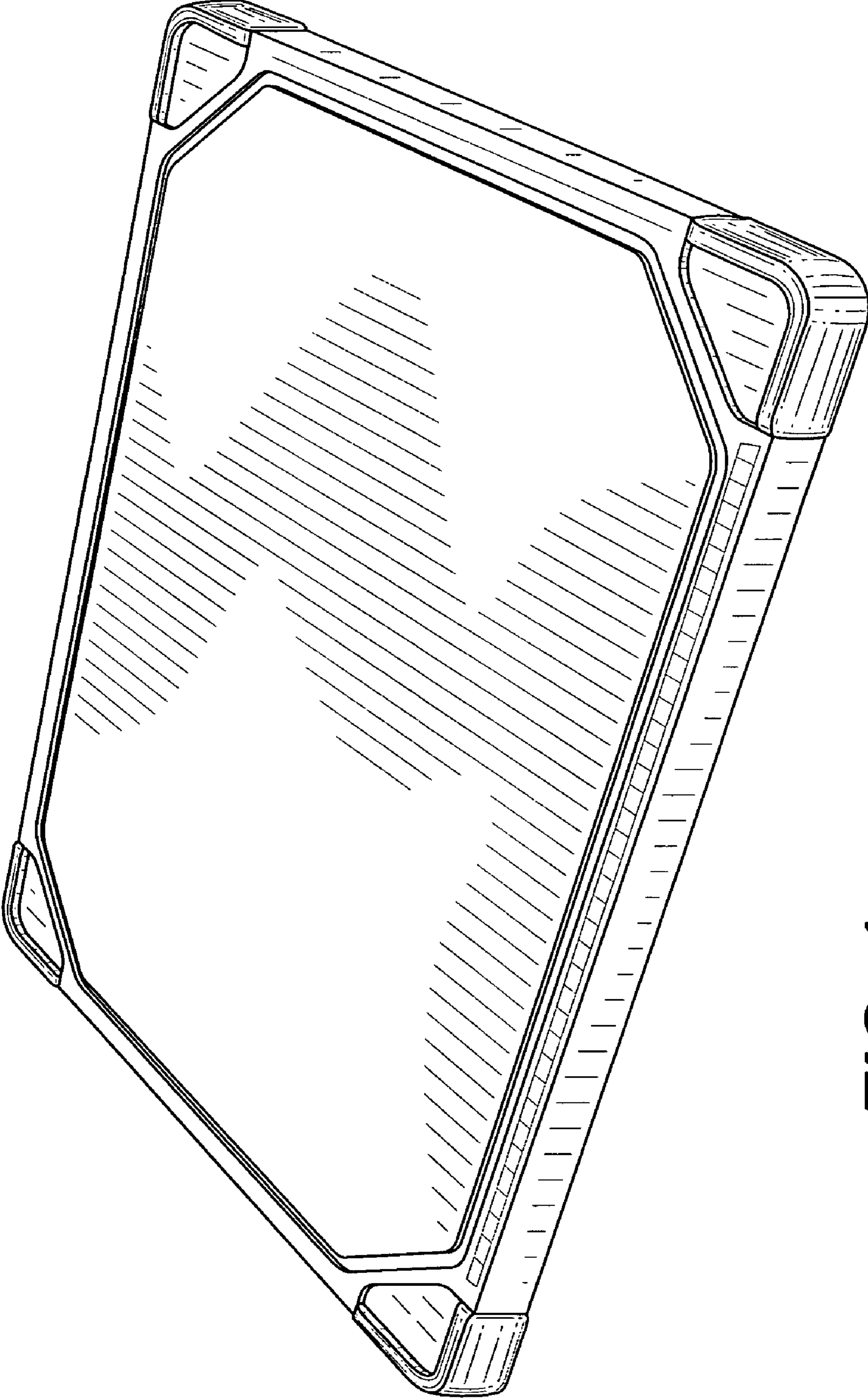


FIG. 1

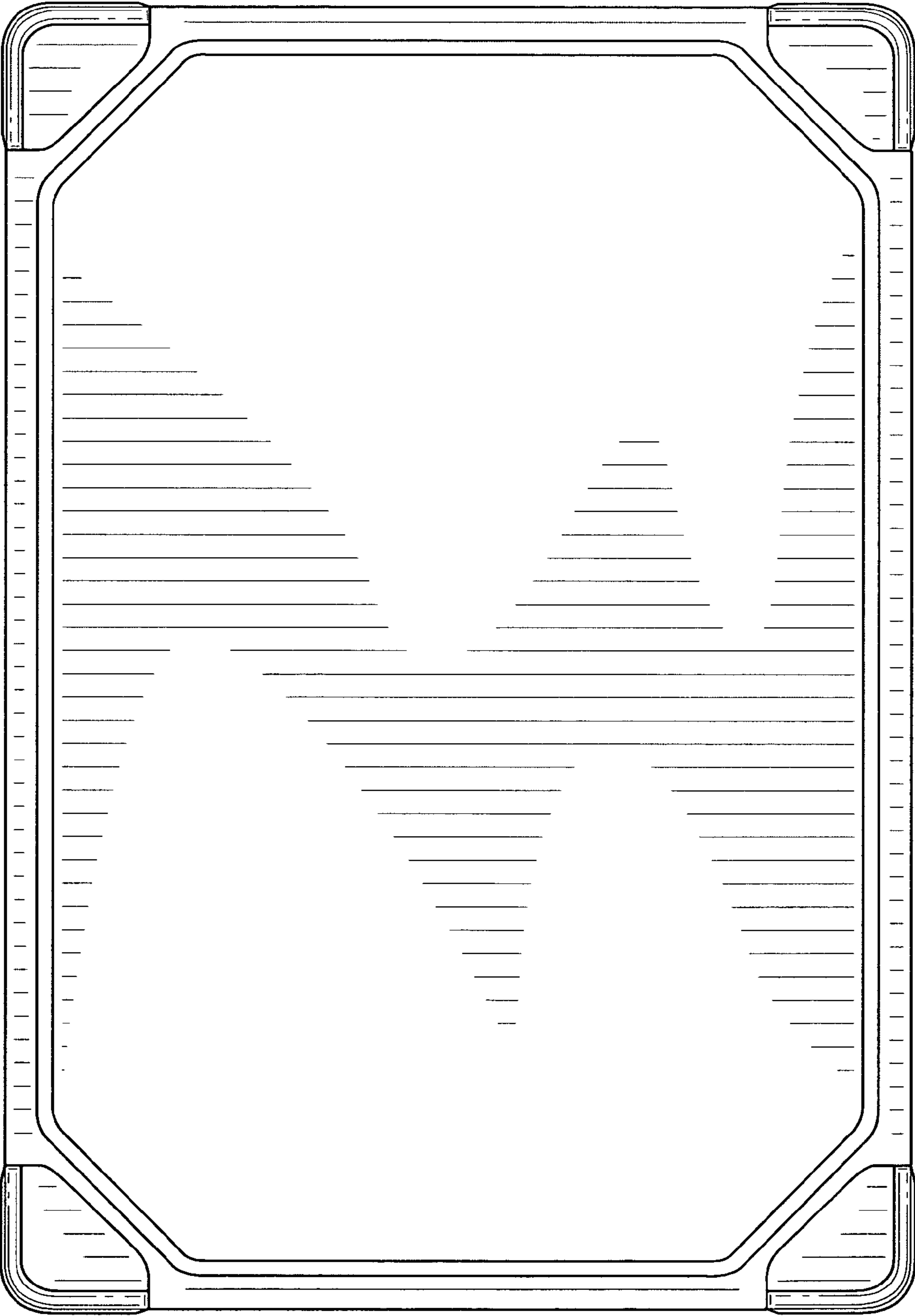


FIG. 2

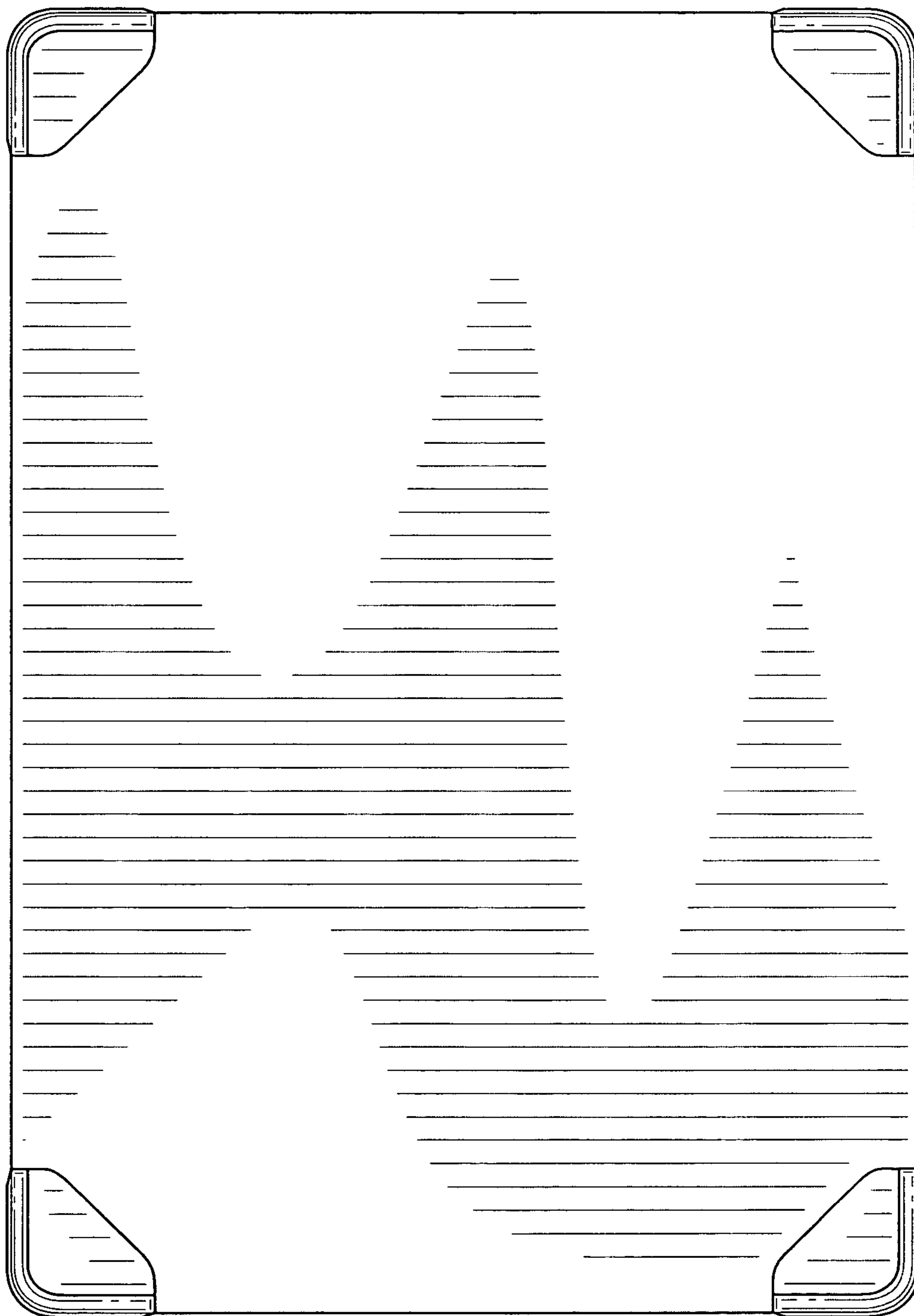


FIG. 3

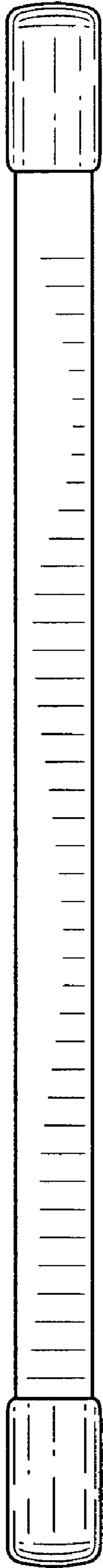


FIG. 4



FIG. 5

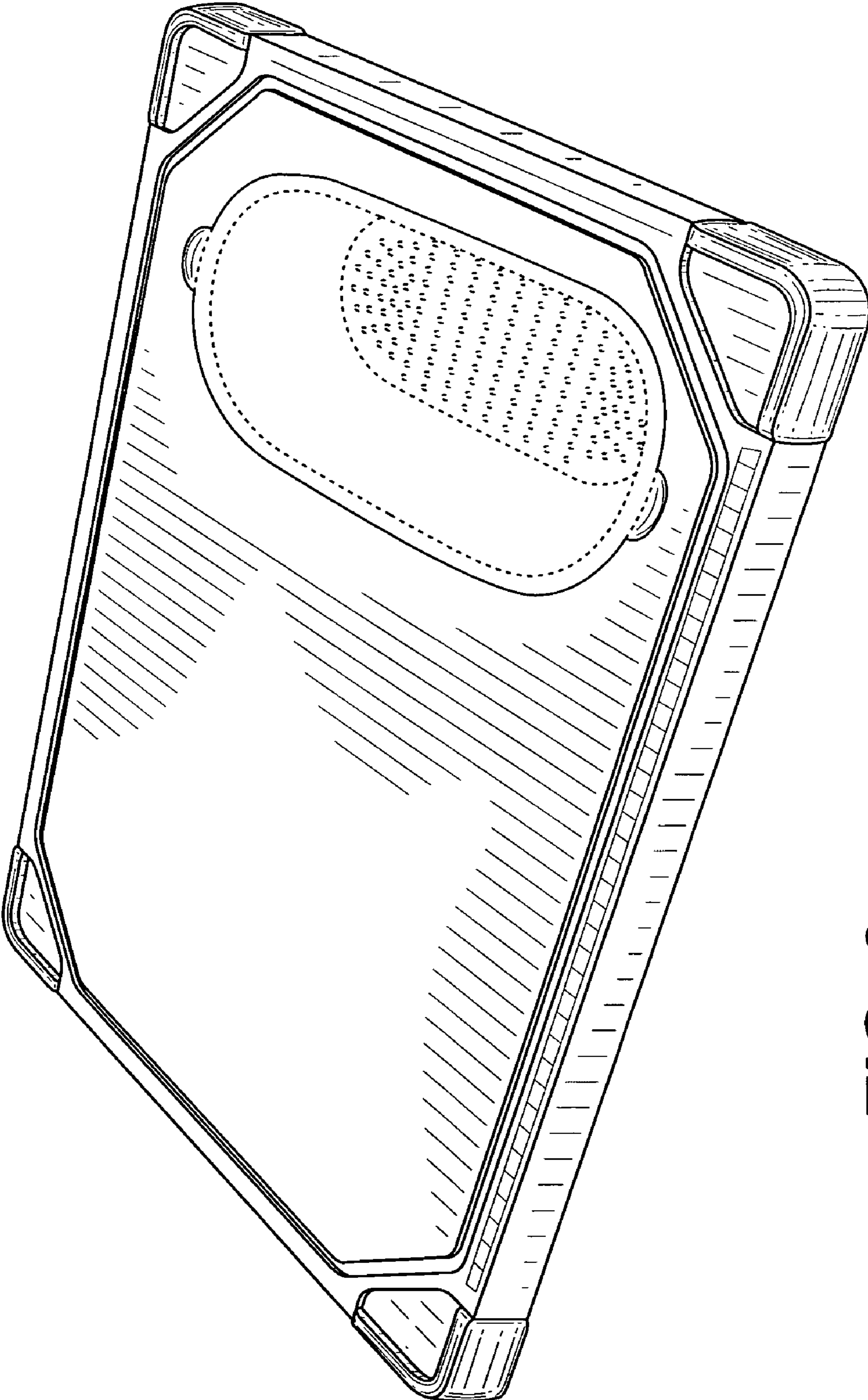


FIG. 6

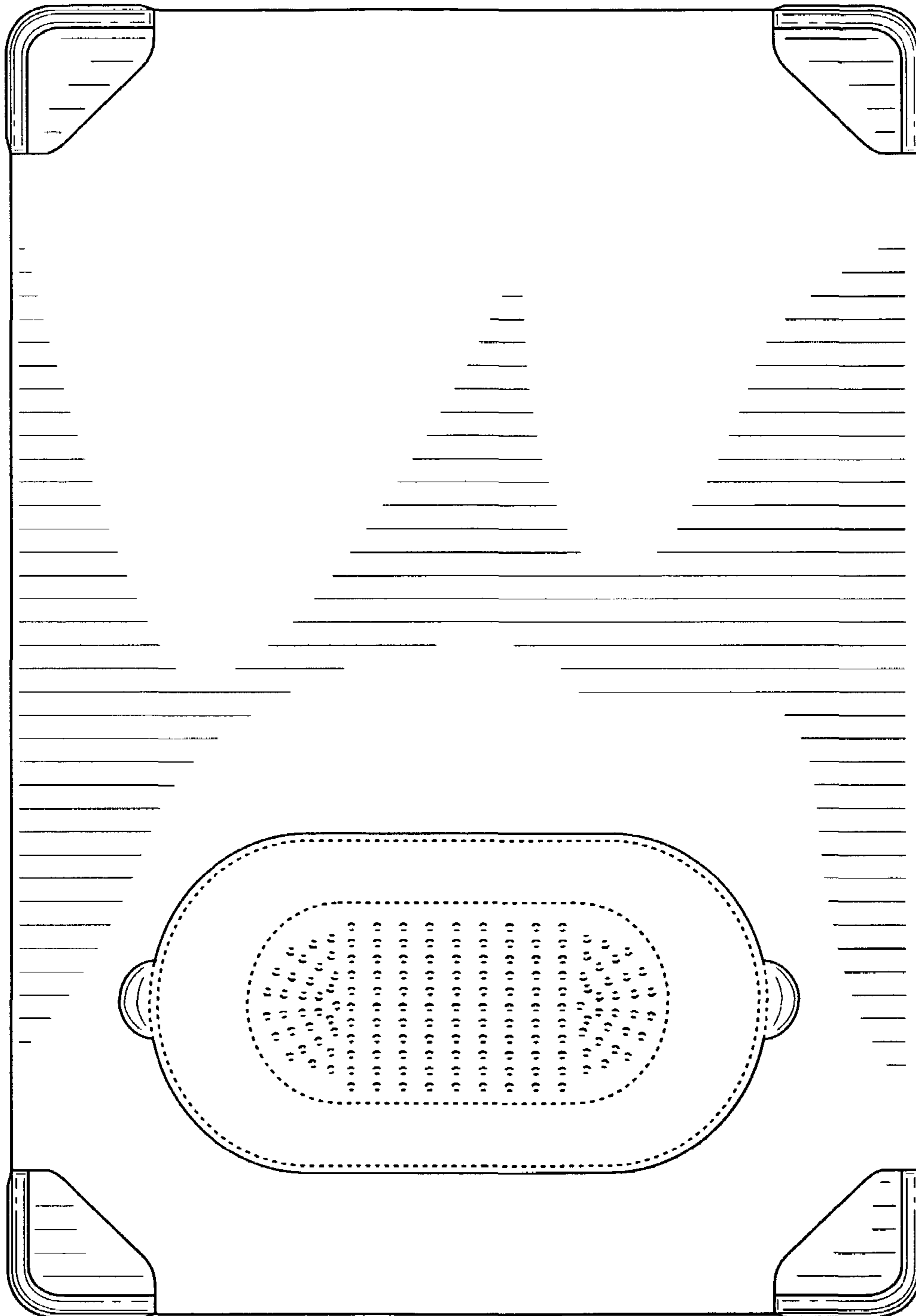


FIG. 7

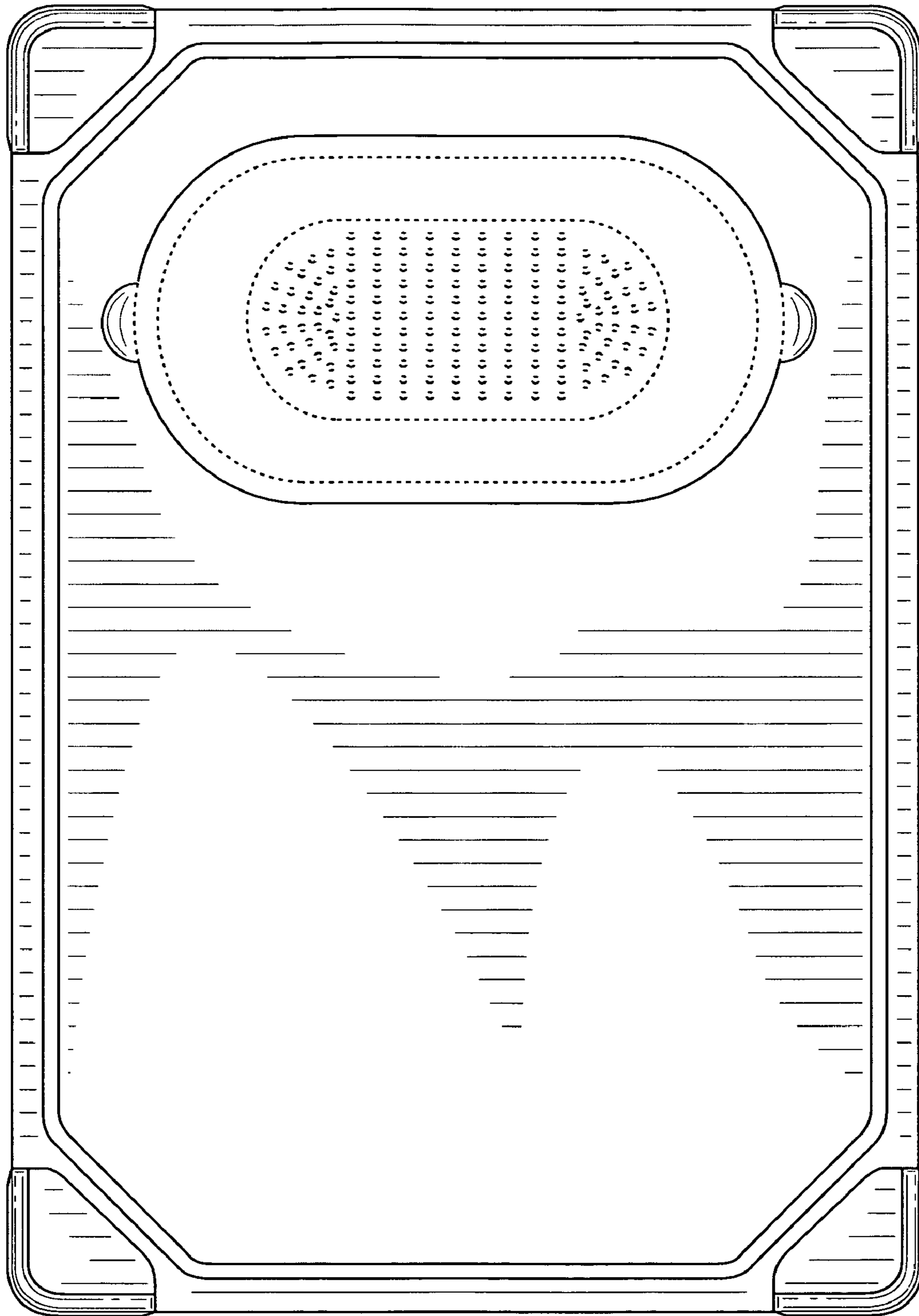


FIG. 8

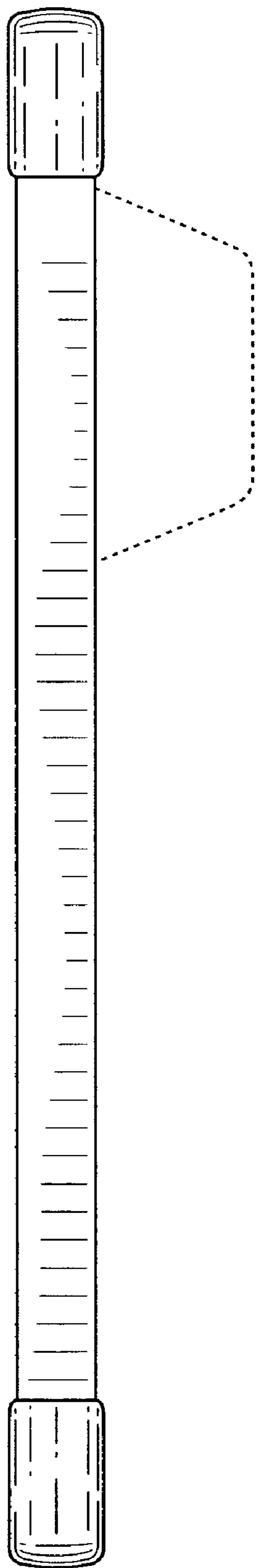


FIG. 9

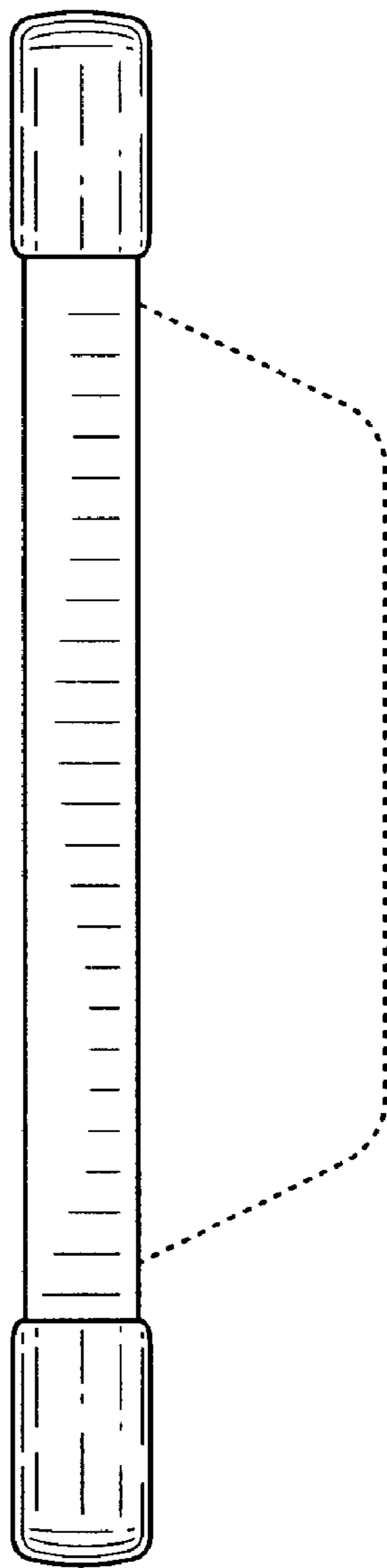


FIG. 10