



US00D615821S

(12) **United States Design Patent**  
**Stamper**

(10) **Patent No.:** **US D615,821 S**

(45) **Date of Patent:** **\*\* May 18, 2010**

(54) **SUSPENSION TRAY CONTAINER**

D600,504 S \* 9/2009 Clark ..... D7/553.5

(75) Inventor: **Leonard R. Stamper**, Lake Forest, CA (US)

\* cited by examiner

(73) Assignee: **LHS International, LLC (California)**, Tustin, CA (US)

*Primary Examiner*—Robert M Spear  
*Assistant Examiner*—Cynthia Underwood  
(74) *Attorney, Agent, or Firm*—Curtis L. Harrington; Kathy E. Harrington; Harrington & Harrington

(\*\*) Term: **14 Years**

(57) **CLAIM**

(21) Appl. No.: **29/316,497**

The ornamental design for a suspension tray container, as shown and described.

(22) Filed: **Oct. 2, 2009**

(51) **LOC (9) Cl.** ..... **07-01**

(52) **U.S. Cl.** ..... **D7/541; D7/538**

(58) **Field of Classification Search** ..... D7/538,  
D7/541, 566, 554.3, 553.1, 553.5, 586, 500,  
D7/601, 602, 629, 667; D9/425, 429, 432;  
220/676, 575; 229/406

See application file for complete search history.

**DESCRIPTION**

FIG. 1 is a perspective view of the suspension tray container of the invention;

FIG. 2 is a perspective exploded view of the perspective view of FIG. 1 shown with the suspension tray shown in perspective;

FIG. 3 is a front side exploded view of the a shown adjacent a tray, and adjacent a bowl portion;

FIG. 4 is a right side exploded view of the lid shown adjacent the tray, and adjacent the bowl portion;

FIG. 5 is a rear side exploded view of the lid shown adjacent the tray, and adjacent the bowl portion;

FIG. 6 is a left side exploded view of the lid shown adjacent the tray, and adjacent the bowl portion;

FIG. 7 is a top view of the lid shown adjacent the tray, and adjacent the bowl portion; and,

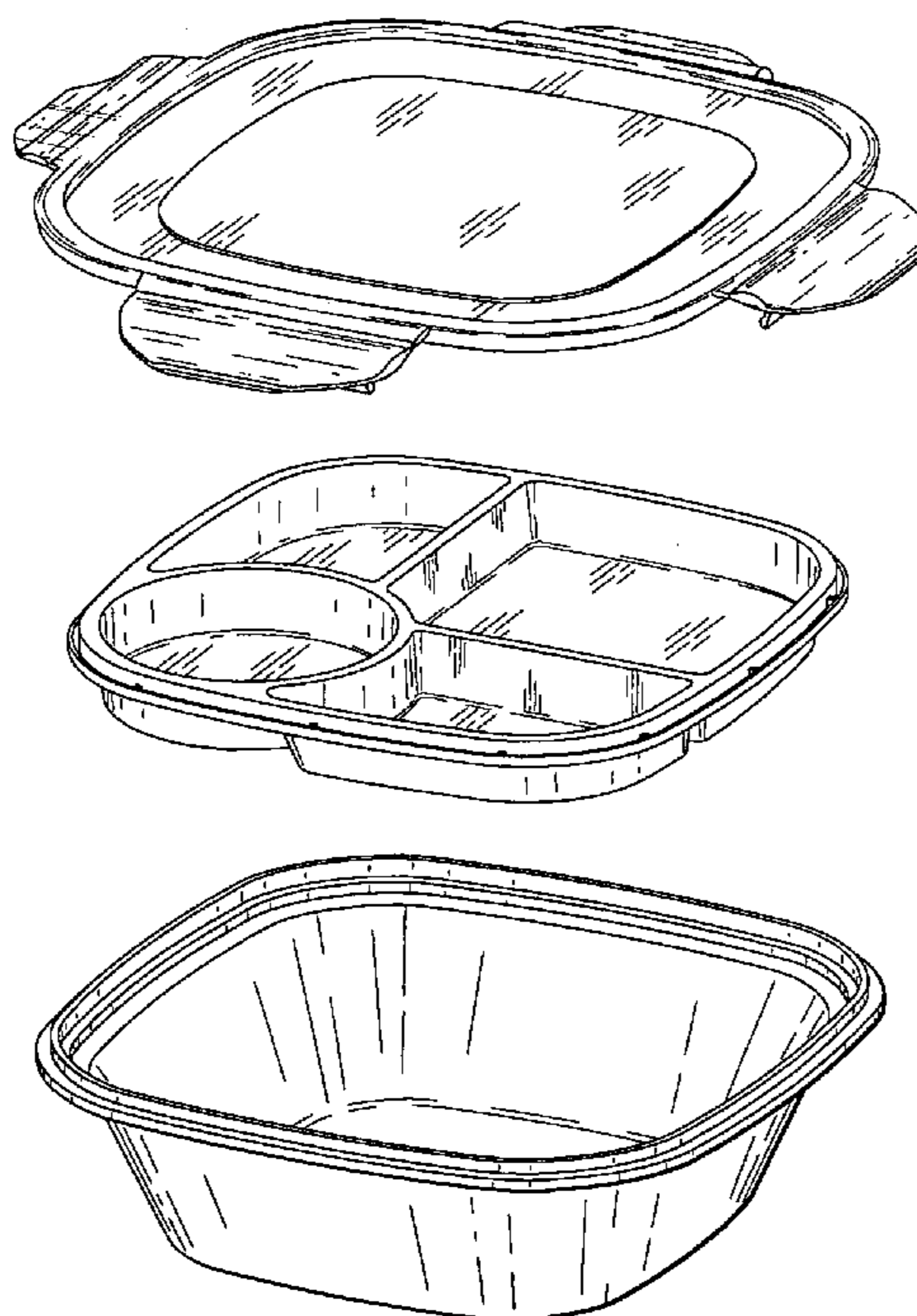
FIG. 8 is a bottom side exploded view of the lid shown adjacent the tray, and adjacent the bowl portion.

(56) **References Cited**

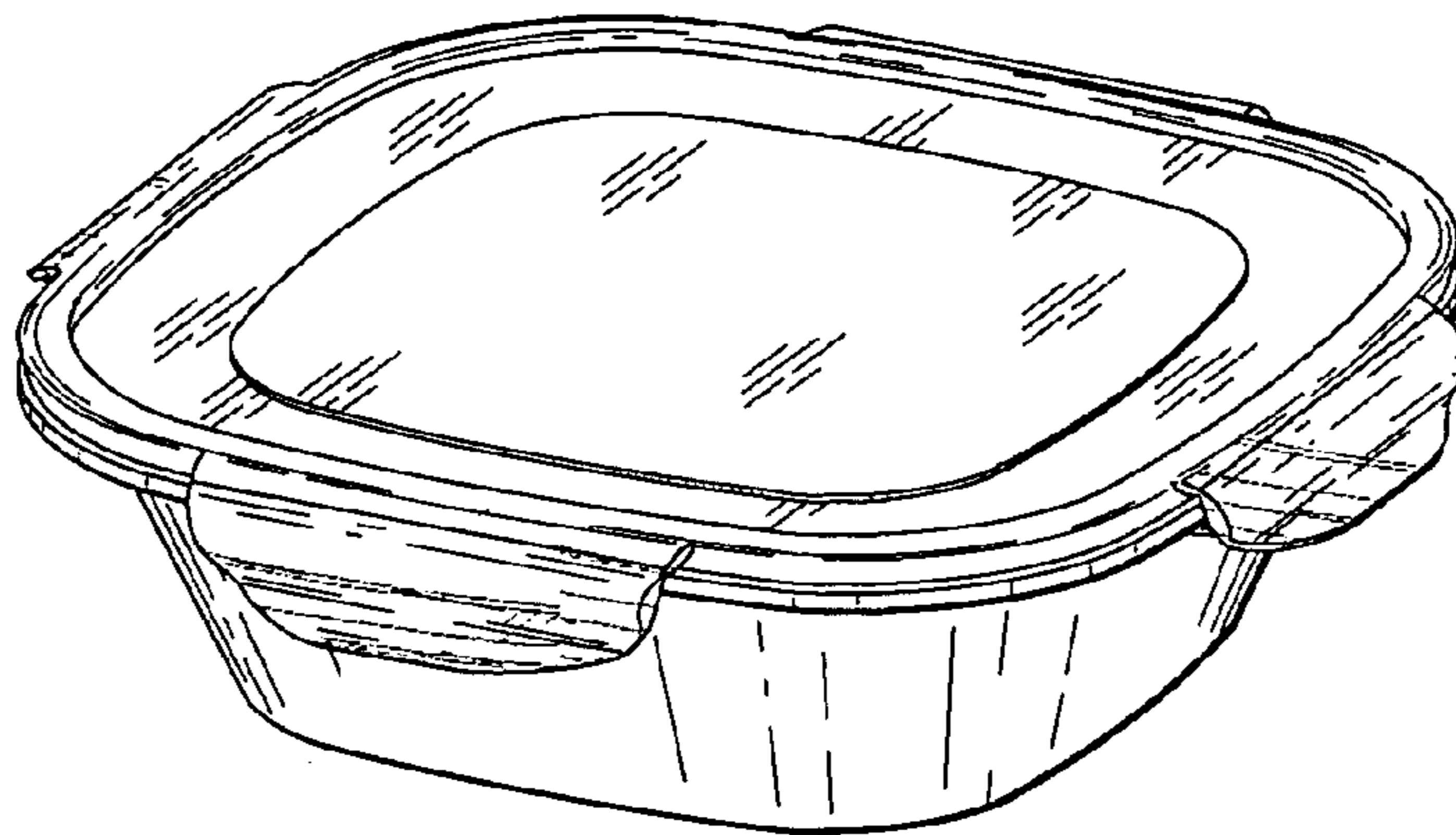
**U.S. PATENT DOCUMENTS**

D261,587 S *	11/1981	Herbst	.....	D7/538
5,167,973 A *	12/1992	Snyder	.....	426/115
D369,282 S *	4/1996	Arduini	.....	D7/629
D483,622 S *	12/2003	Kim	.....	D7/629
D489,975 S *	5/2004	Jackson et al.	.....	D9/425
D493,073 S *	7/2004	Kim	.....	D7/629
D494,857 S *	8/2004	Chen et al.	.....	D9/759
D500,227 S *	12/2004	Seok	.....	D7/392.1
D549,519 S *	8/2007	Moon et al.	.....	D7/391
D567,028 S *	4/2008	Plante et al.	.....	D7/542
D586,623 S *	2/2009	Dunn	.....	D7/541
D591,174 S *	4/2009	Larson	.....	D9/761

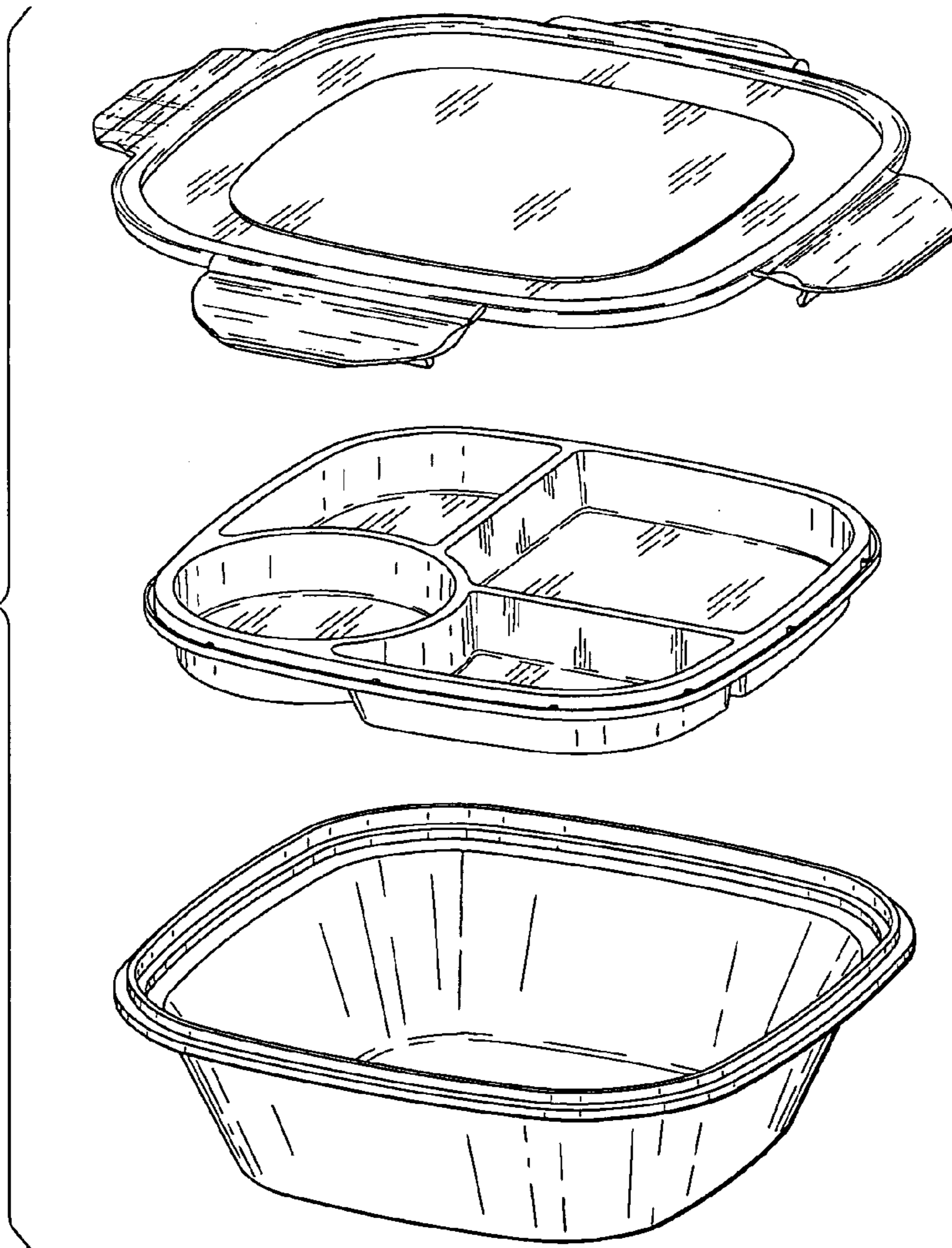
**1 Claim, 4 Drawing Sheets**

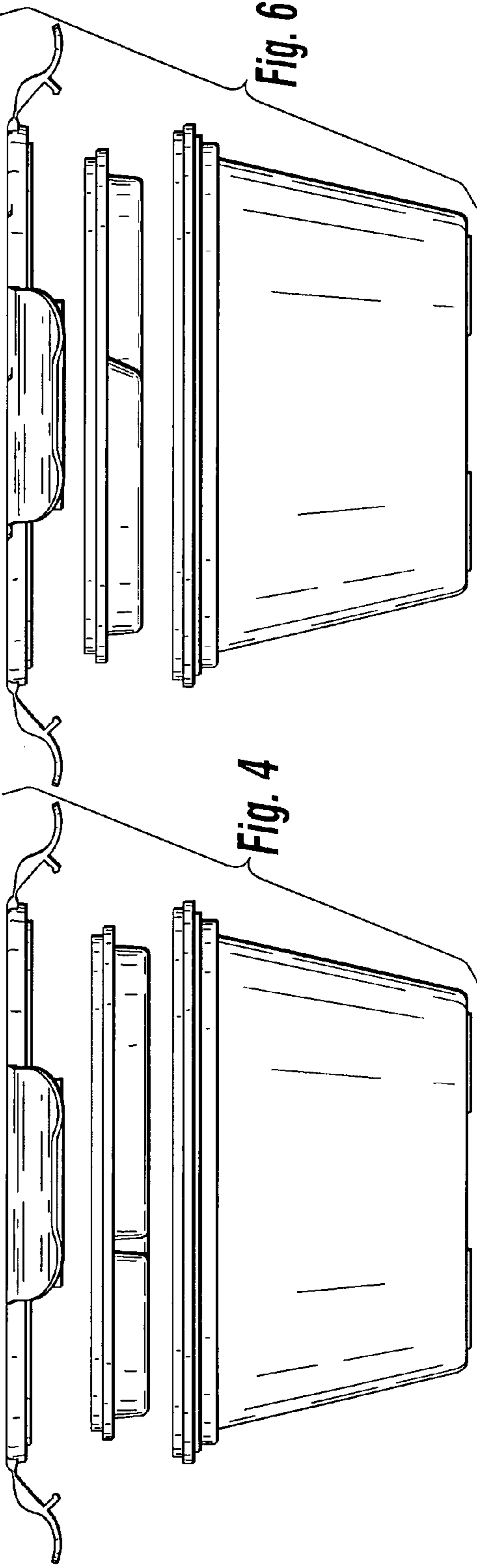
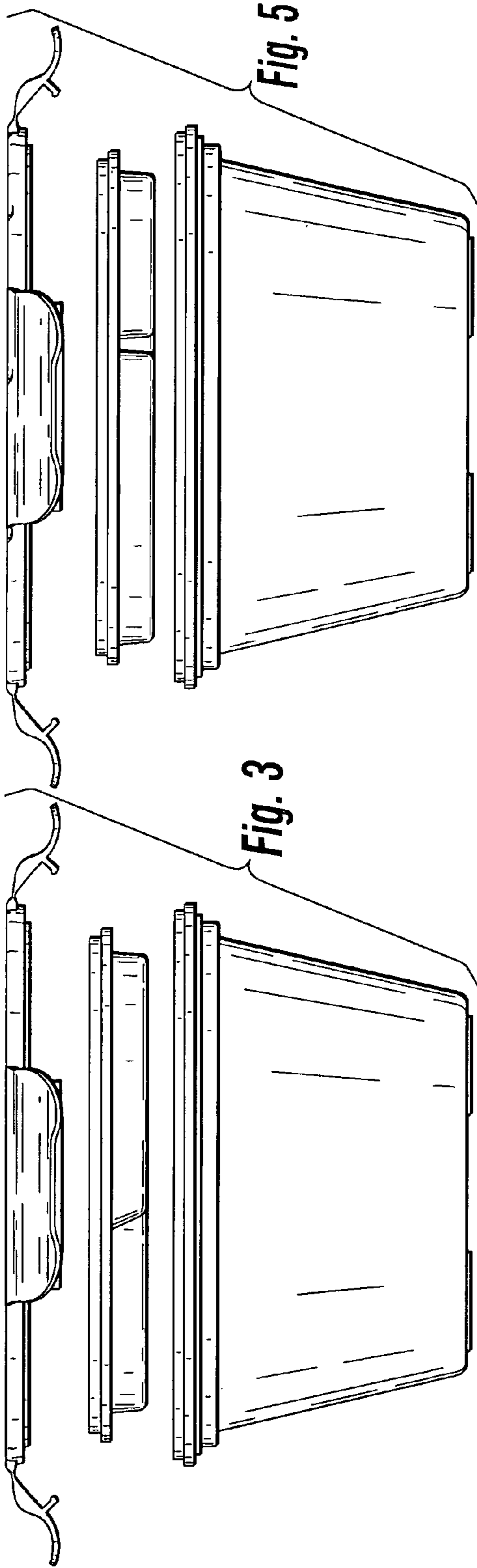


**Fig. 1**



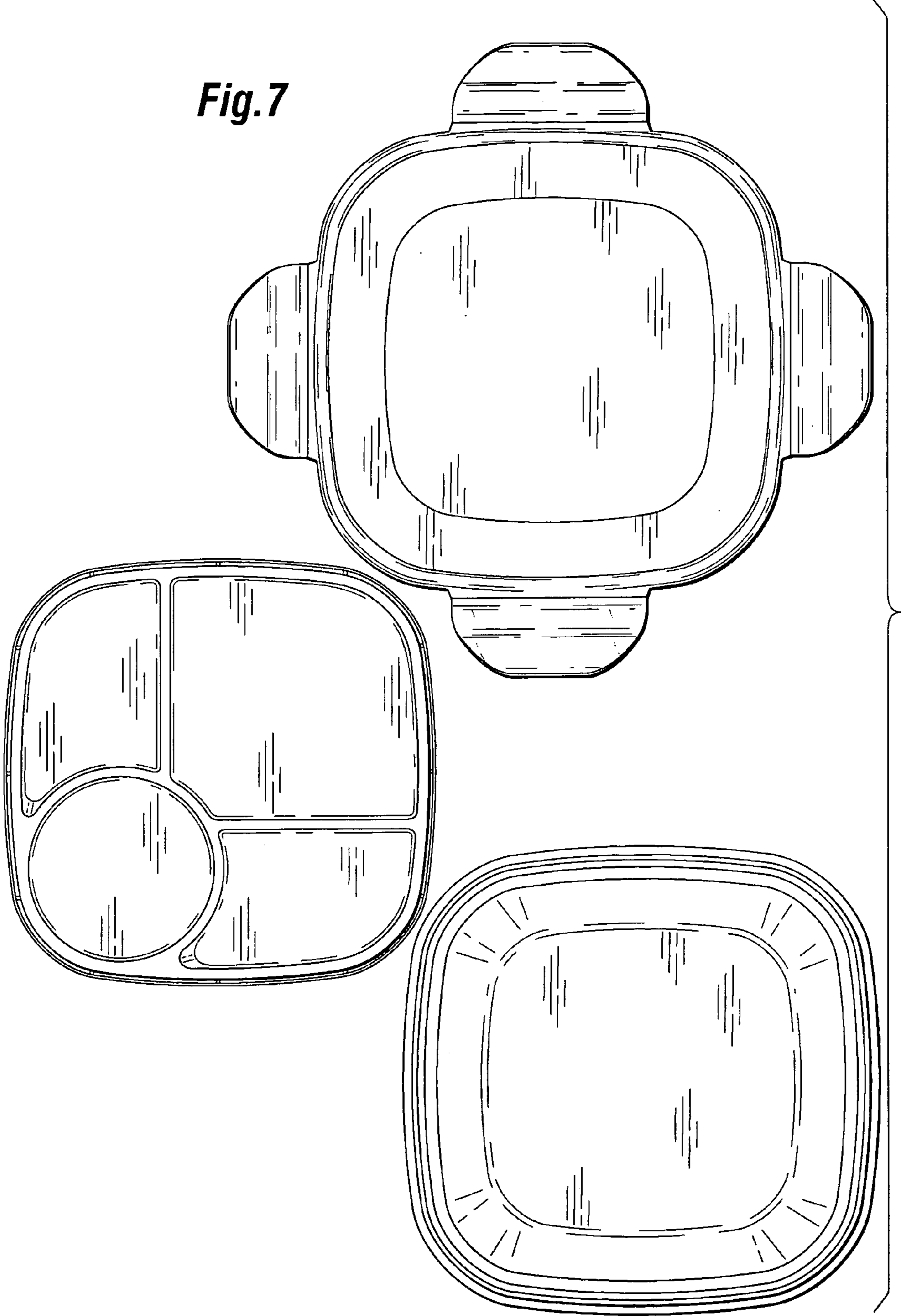
**Fig. 2**







**Fig.7**



**Fig.8**

