



US00D615820S

(12) **United States Design Patent**  
**Wang Chen**

(10) **Patent No.:** **US D615,820 S**

(45) **Date of Patent:** **\*\* May 18, 2010**

(54) **CUP**  
(75) Inventor: **Tsai-Hsieh Wang Chen**, Taipei (TW)  
(73) Assignee: **Cha Cha The Culture International Company Limited**, Taipei (TW)  
(\*\*) Term: **14 Years**  
(21) Appl. No.: **29/353,425**  
(22) Filed: **Jan. 8, 2010**

(51) **LOC (9) Cl.** ..... **07-01**  
(52) **U.S. Cl.** ..... **D7/536; D7/533**  
(58) **Field of Classification Search** ..... **D7/509, D7/533, 536, 510, 511; 220/713, 703, 715, 220/592.16, 592.17; 215/10**  
See application file for complete search history.

(56) **References Cited**

**U.S. PATENT DOCUMENTS**

D44,541 S \* 8/1913 Richter ..... D7/536  
D59,219 S \* 10/1921 Havilland ..... D7/536  
D207,786 S \* 5/1967 Smith ..... D7/536  
D277,353 S \* 1/1985 Everhan ..... D7/536  
D290,324 S \* 6/1987 Ritman ..... D7/536  
D320,718 S \* 10/1991 Unger ..... D7/536

D332,538 S \* 1/1993 Hosoe ..... D6/482  
D473,105 S \* 4/2003 Ayers et al. .... D7/536  
D482,239 S \* 11/2003 Bodum ..... D7/536  
D482,572 S \* 11/2003 Mountain ..... D7/536  
D518,999 S \* 4/2006 Laib ..... D7/536  
D527,950 S \* 9/2006 Scherer ..... D7/536  
D556,514 S \* 12/2007 Hamberger et al. .... D7/536

\* cited by examiner

*Primary Examiner*—Marianne Pandozzi

(74) *Attorney, Agent, or Firm*—Chun-Ming Shih

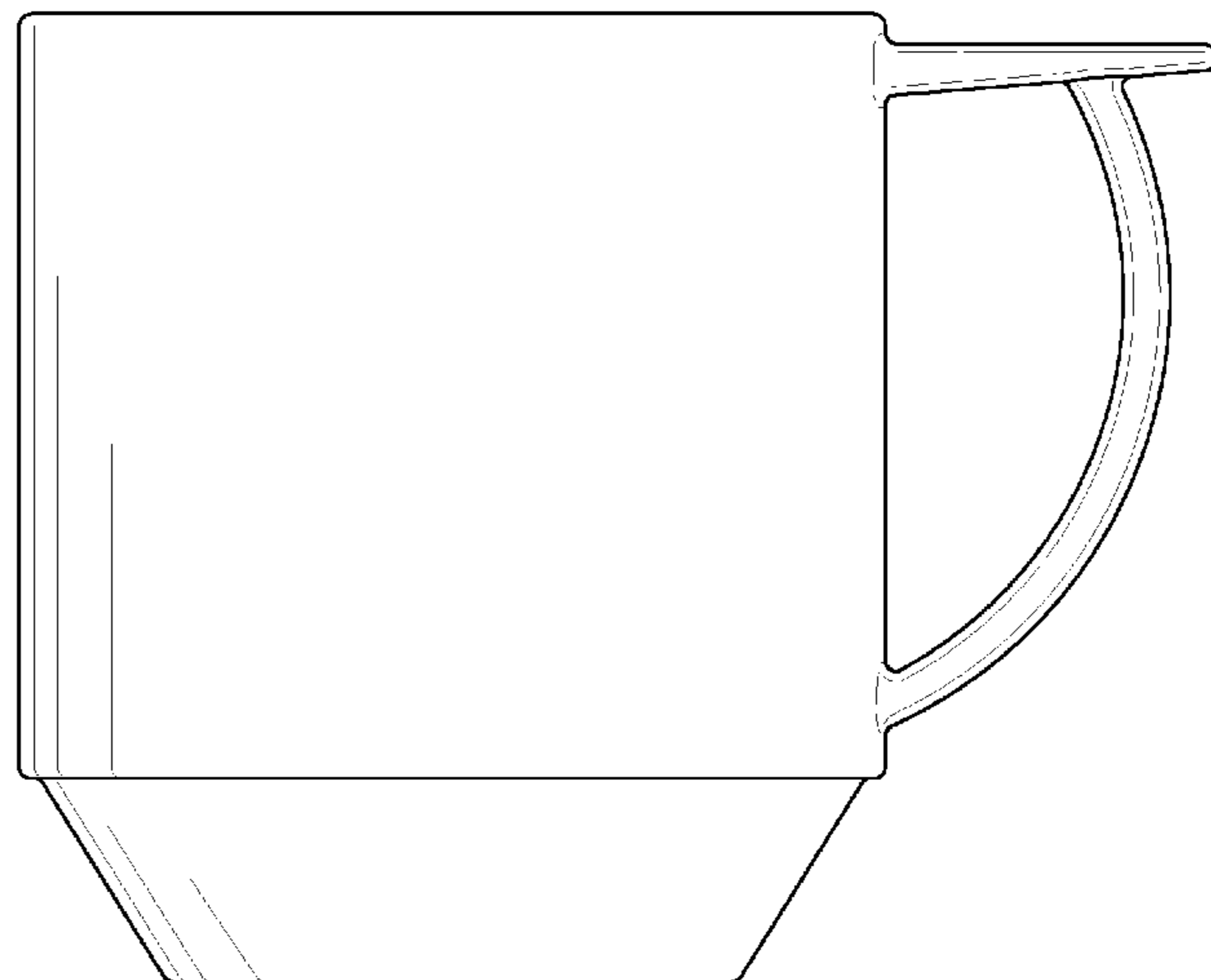
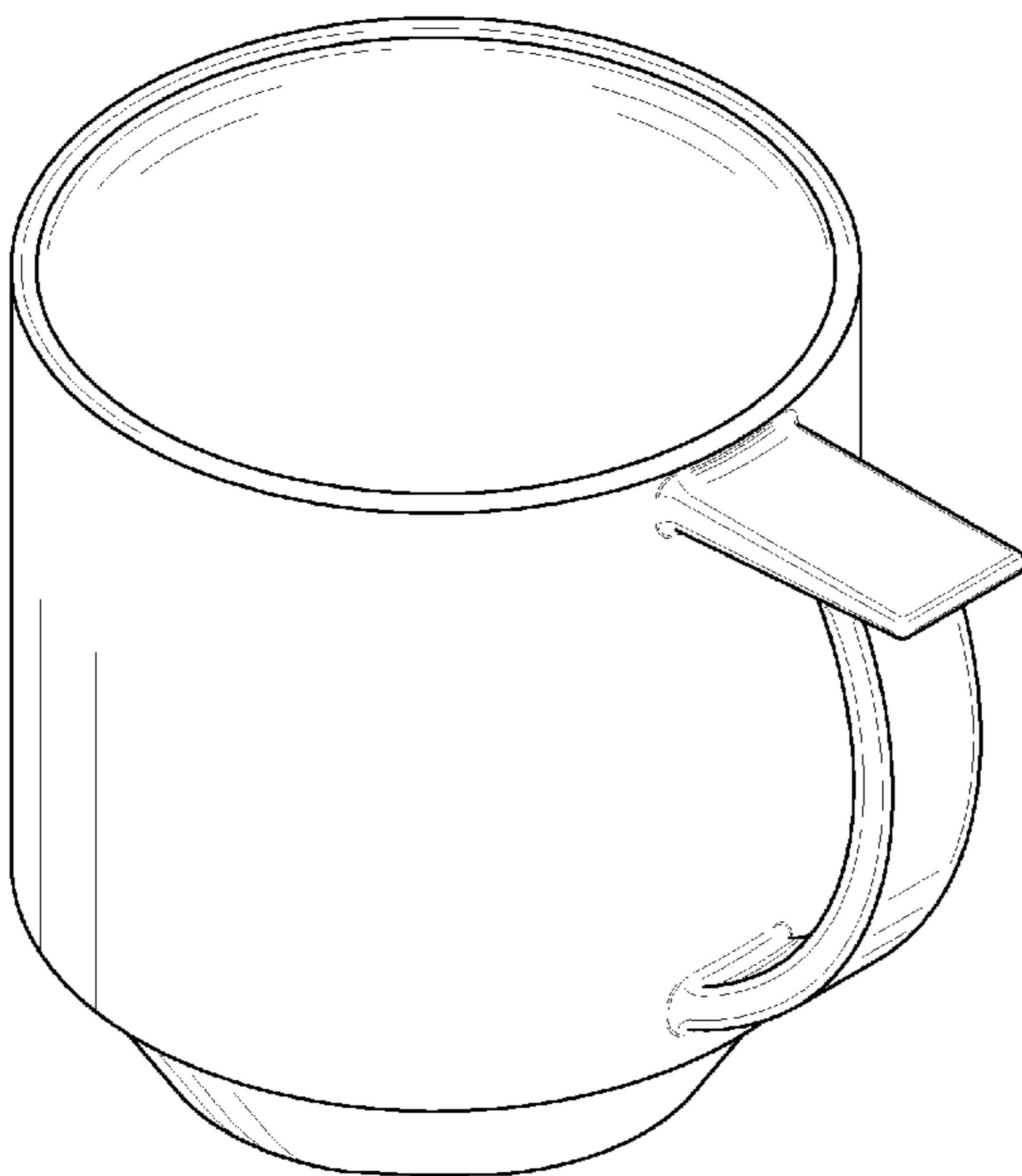
(57) **CLAIM**

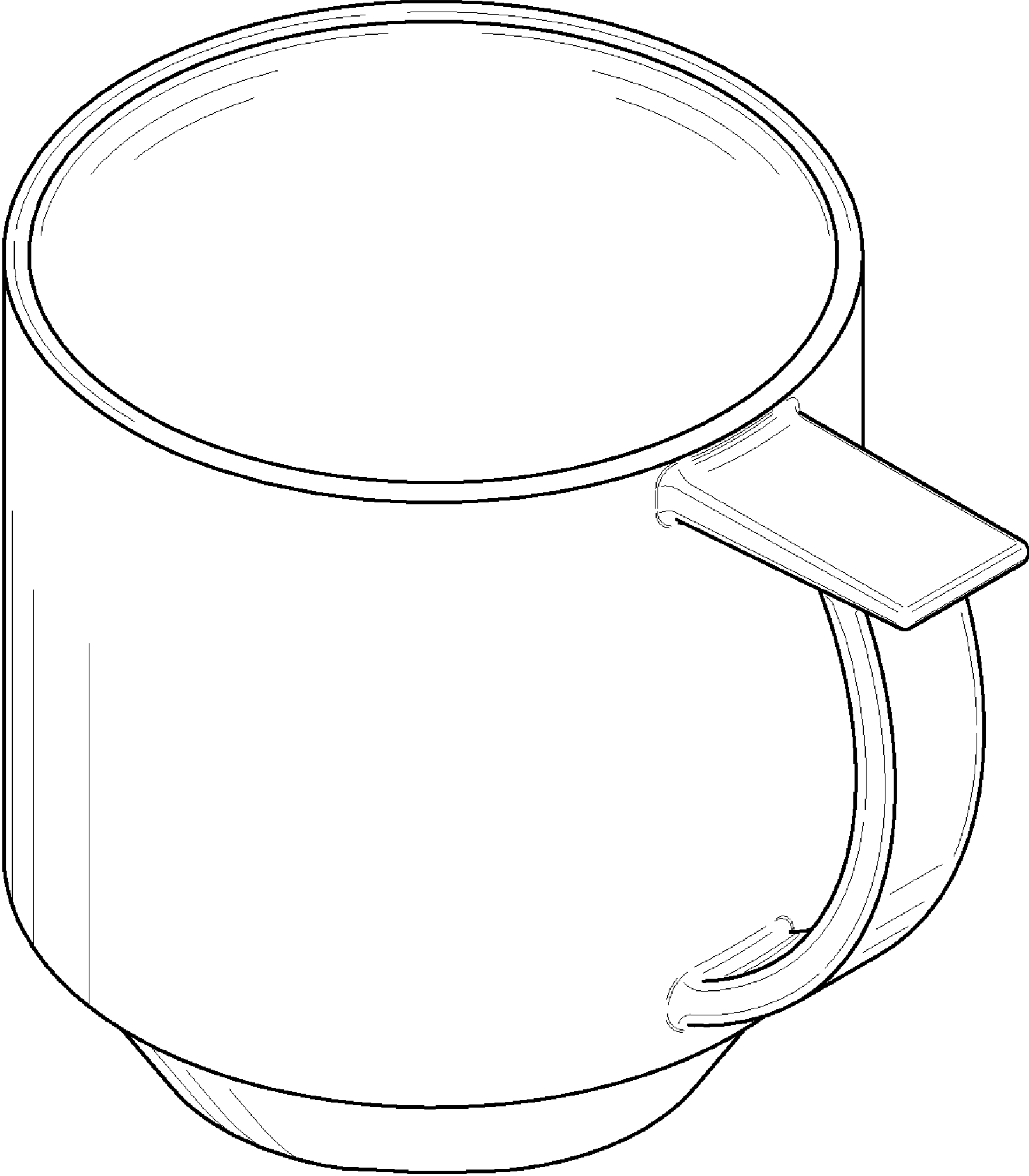
The ornamental design for a cup, as shown and described.

**DESCRIPTION**

FIG. 1 is a perspective view of a cup showing my design;  
FIG. 2 is a front elevational view thereof;  
FIG. 3 is a left side elevational view thereof  
FIG. 4 is a right side elevational view thereof;  
FIG. 5 is a top plan view thereof;  
FIG. 6 is a bottom plan view thereof; and,  
FIG. 7 is a rear elevational view thereof.

**1 Claim, 7 Drawing Sheets**





**FIG. 1**

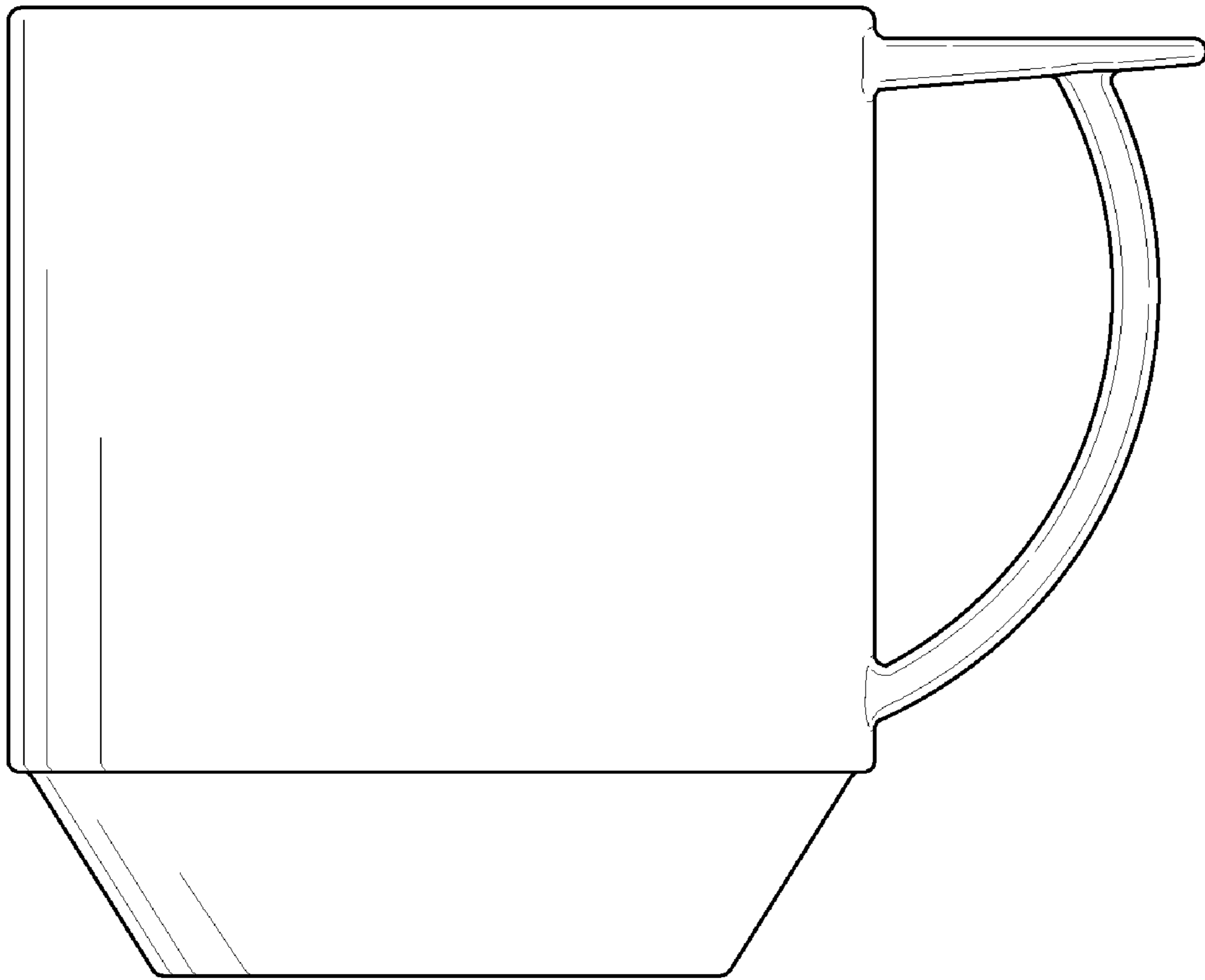
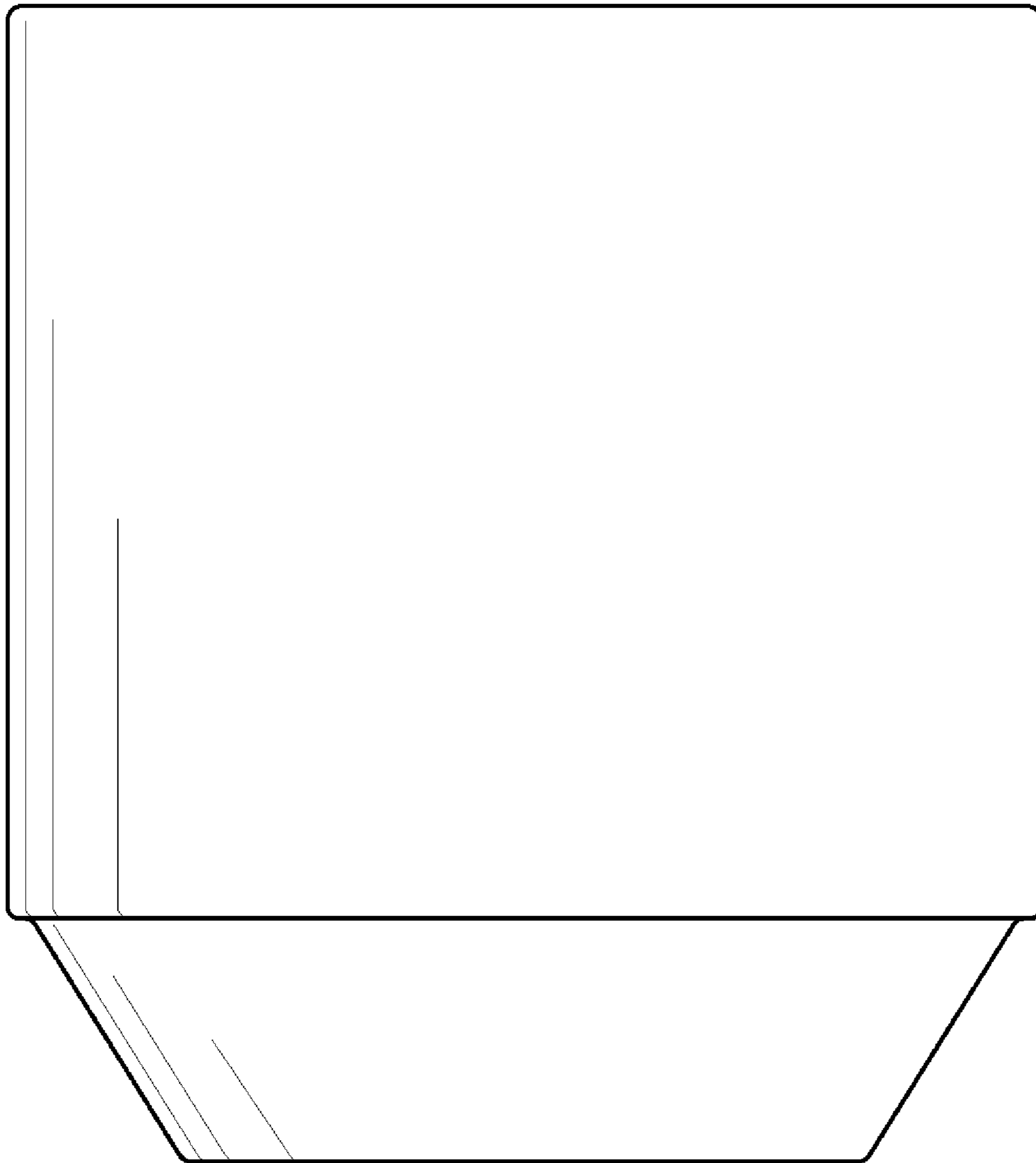
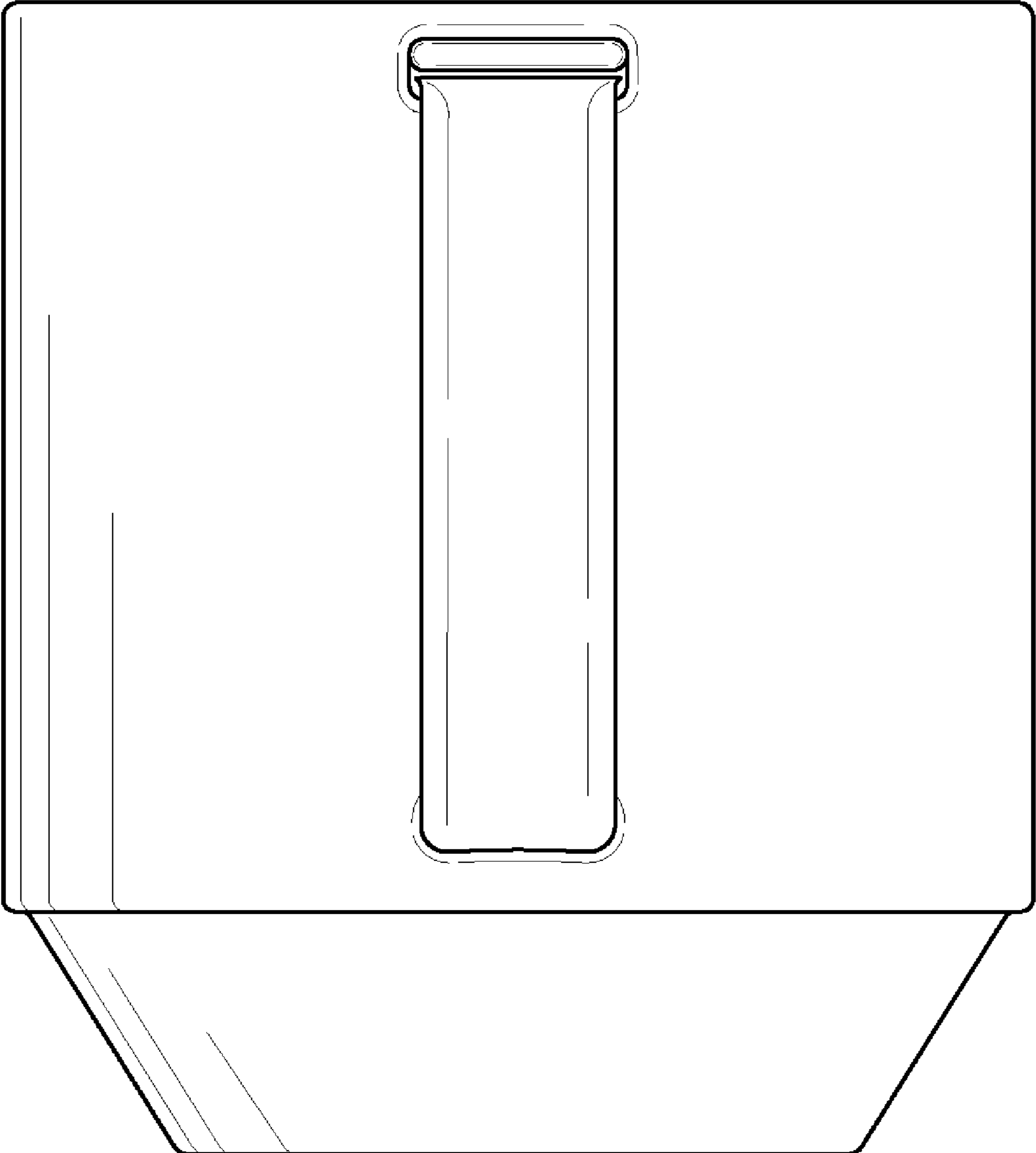


FIG. 2



**FIG. 3**



**FIG. 4**

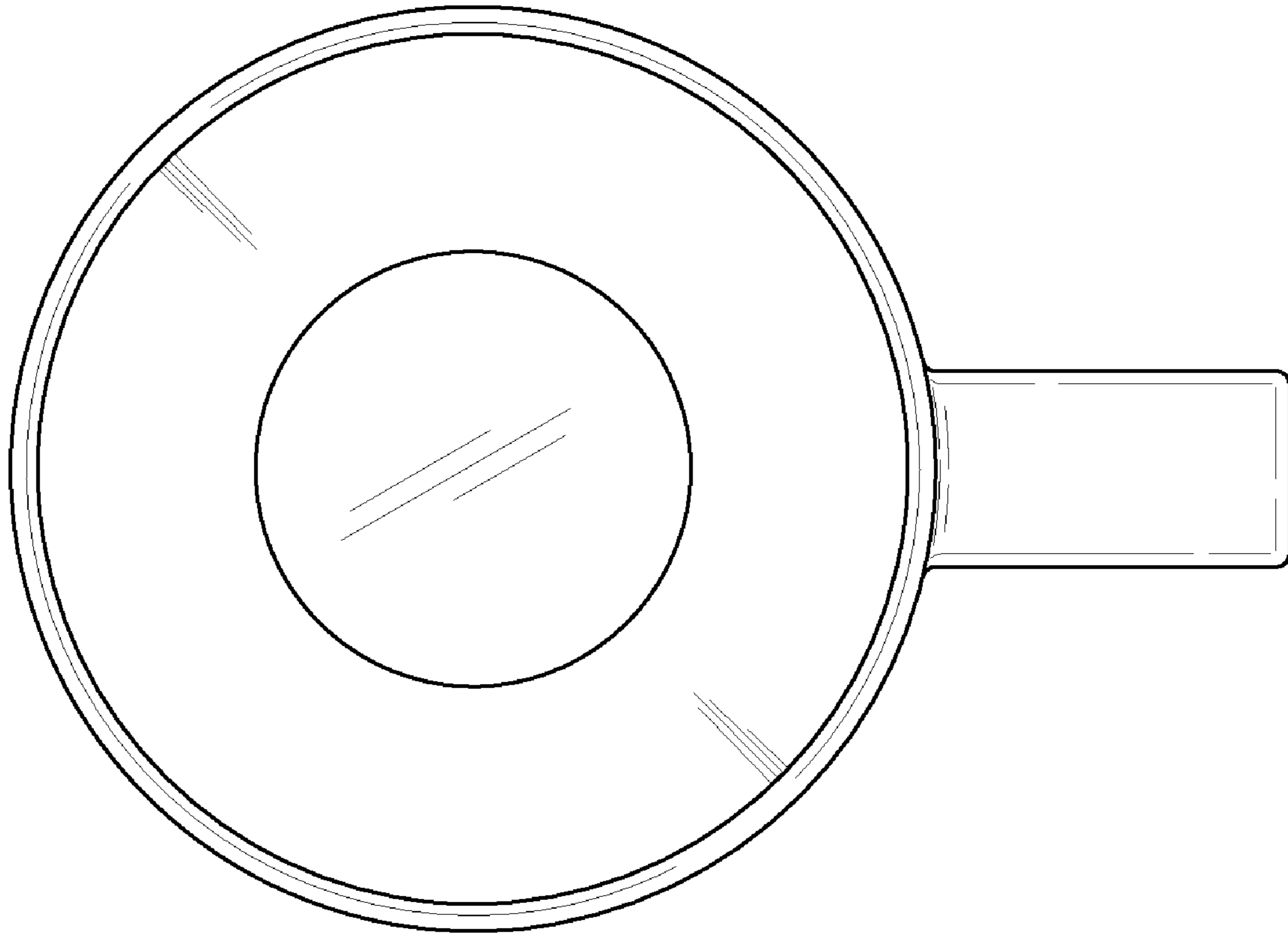


FIG. 5

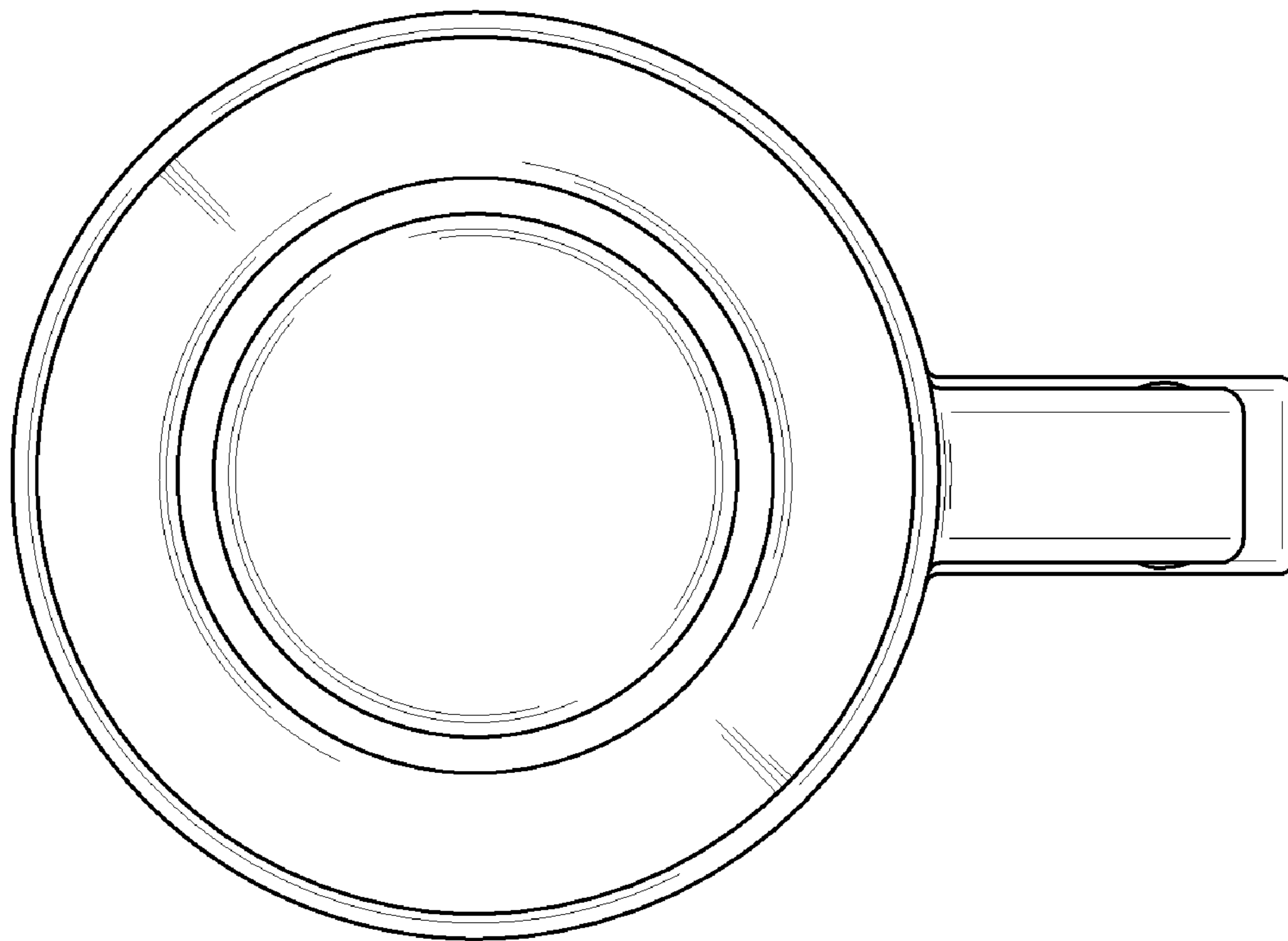
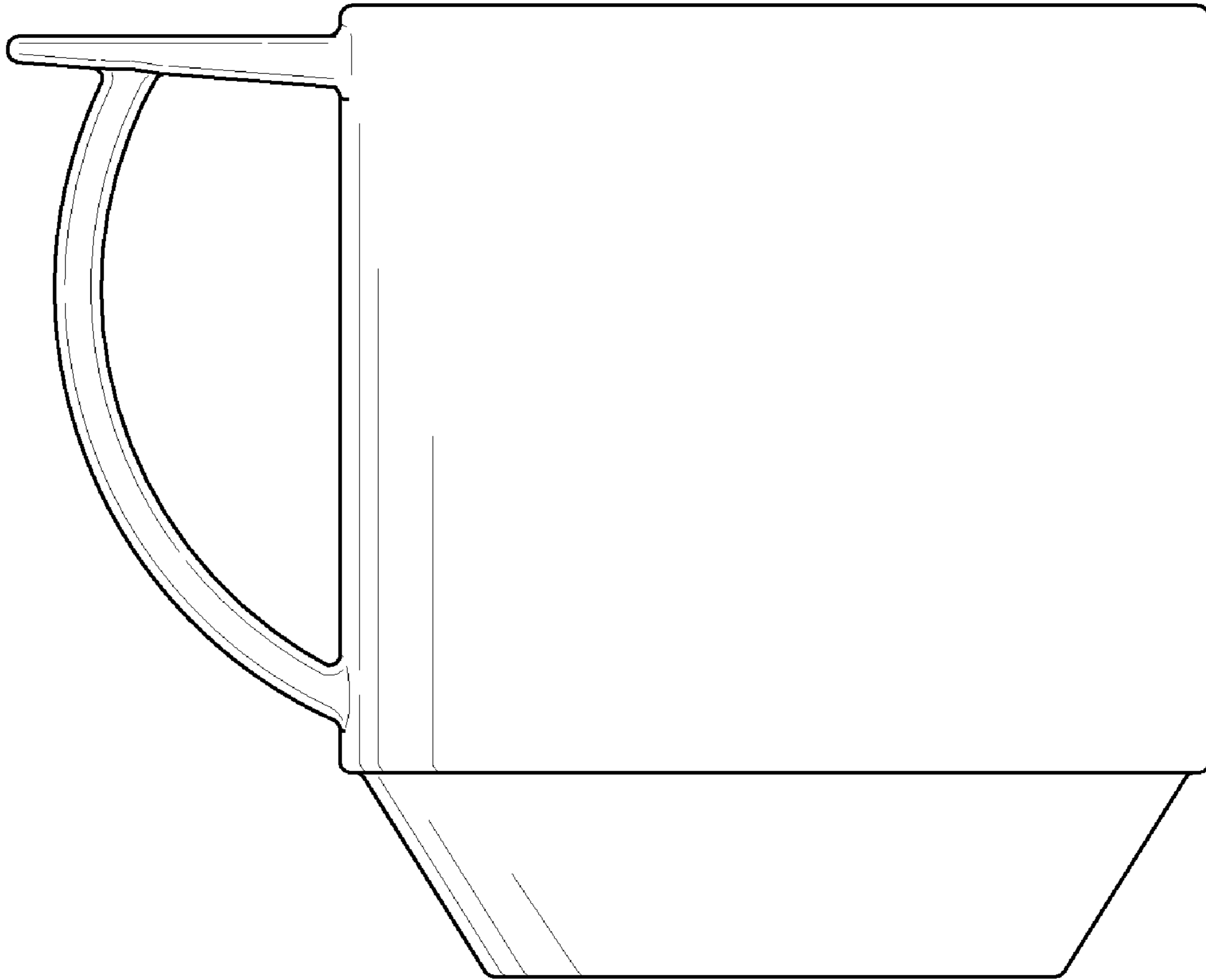


FIG. 6



**FIG. 7**