



US00D615819S

(12) **United States Design Patent**  
**Wang Chen**

(10) **Patent No.:** **US D615,819 S**

(45) **Date of Patent:** **\*\* May 18, 2010**

(54) **CUP**

(75) **Inventor:** **Tsai-Hsieh Wang Chen, Taipei (TW)**

(73) **Assignee:** **Cha Cha Thé Culture International Company Limited, Taipei (TW)**

(\*\*) **Term:** **14 Years**

(21) **Appl. No.:** **29/352,604**

(22) **Filed:** **Dec. 23, 2009**

(51) **LOC (9) Cl.** ..... **07-01**

(52) **U.S. Cl.** ..... **D7/536; D7/533**

(58) **Field of Classification Search** ..... **D7/509, D7/533, 536, 510, 511; 220/713, 703, 715, 220/592.16, 592.17; 215/10**

See application file for complete search history.

(56) **References Cited**

**U.S. PATENT DOCUMENTS**

- D70,329 S \* 6/1926 Johnson ..... D7/536
- D70,369 S \* 6/1926 Johnson ..... D7/536
- D220,845 S \* 6/1971 Macsetti ..... D7/533

- D222,732 S \* 12/1971 Howard ..... D7/536
- D527,950 S \* 9/2006 Scherer ..... D7/536
- D561,537 S \* 2/2008 Schosser ..... D7/536
- D594,699 S \* 6/2009 Spivey et al. .... D7/510
- D596,899 S \* 7/2009 Spiller ..... D7/507

\* cited by examiner

*Primary Examiner*—Marianne Pandozzi

(74) *Attorney, Agent, or Firm*—Chun-Ming Shih

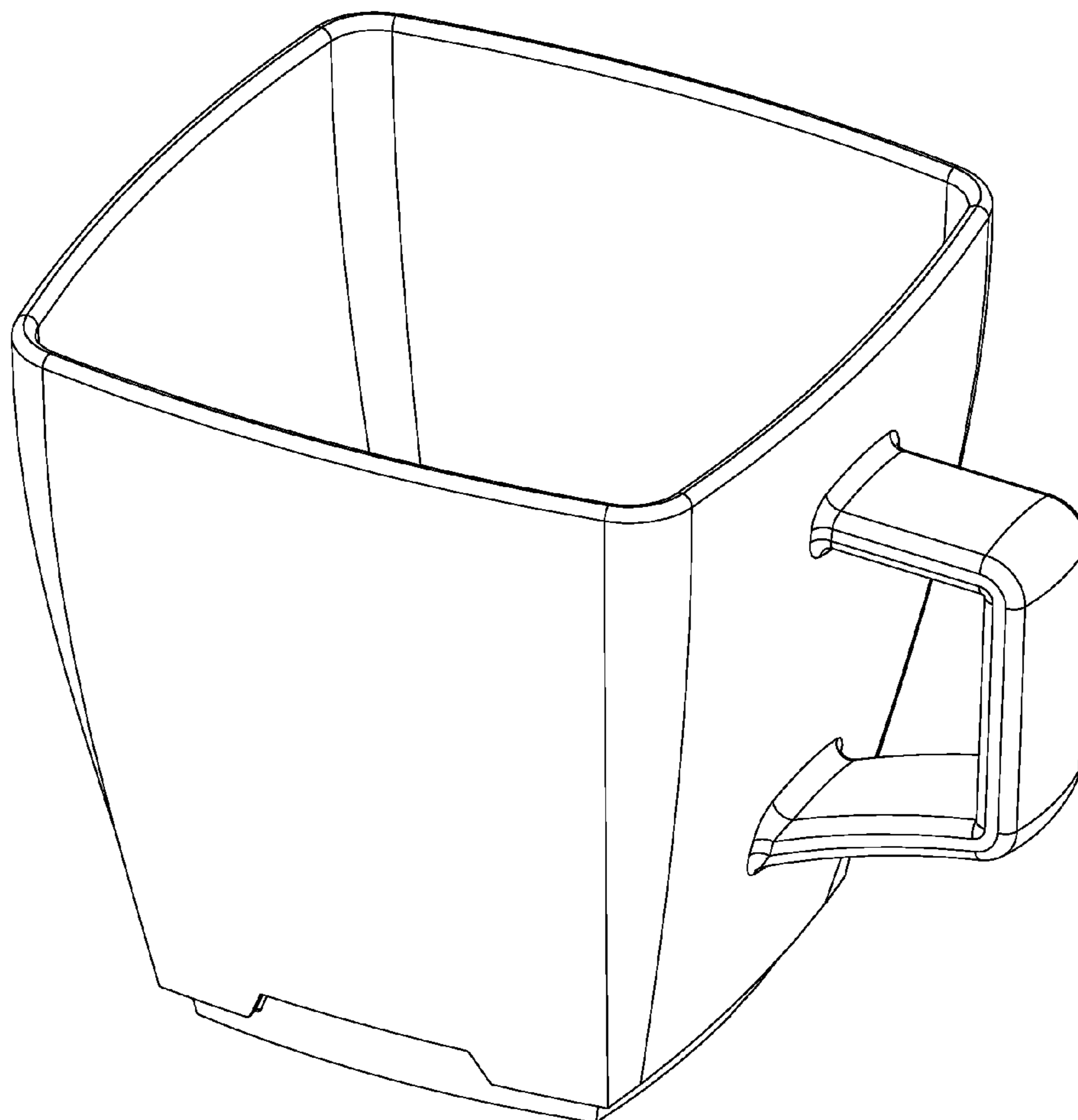
(57) **CLAIM**

The ornamental design for a cup, as shown and described.

**DESCRIPTION**

FIG. 1 is a perspective view of a cup showing my design;  
 FIG. 2 is a front elevational view thereof;  
 FIG. 3 is a left side elevational view thereof  
 FIG. 4 is a right side elevational view thereof;  
 FIG. 5 is a top plan view thereof;  
 FIG. 6 is a bottom plan view thereof; and,  
 FIG. 7 is a rear elevational view thereof.

**1 Claim, 7 Drawing Sheets**



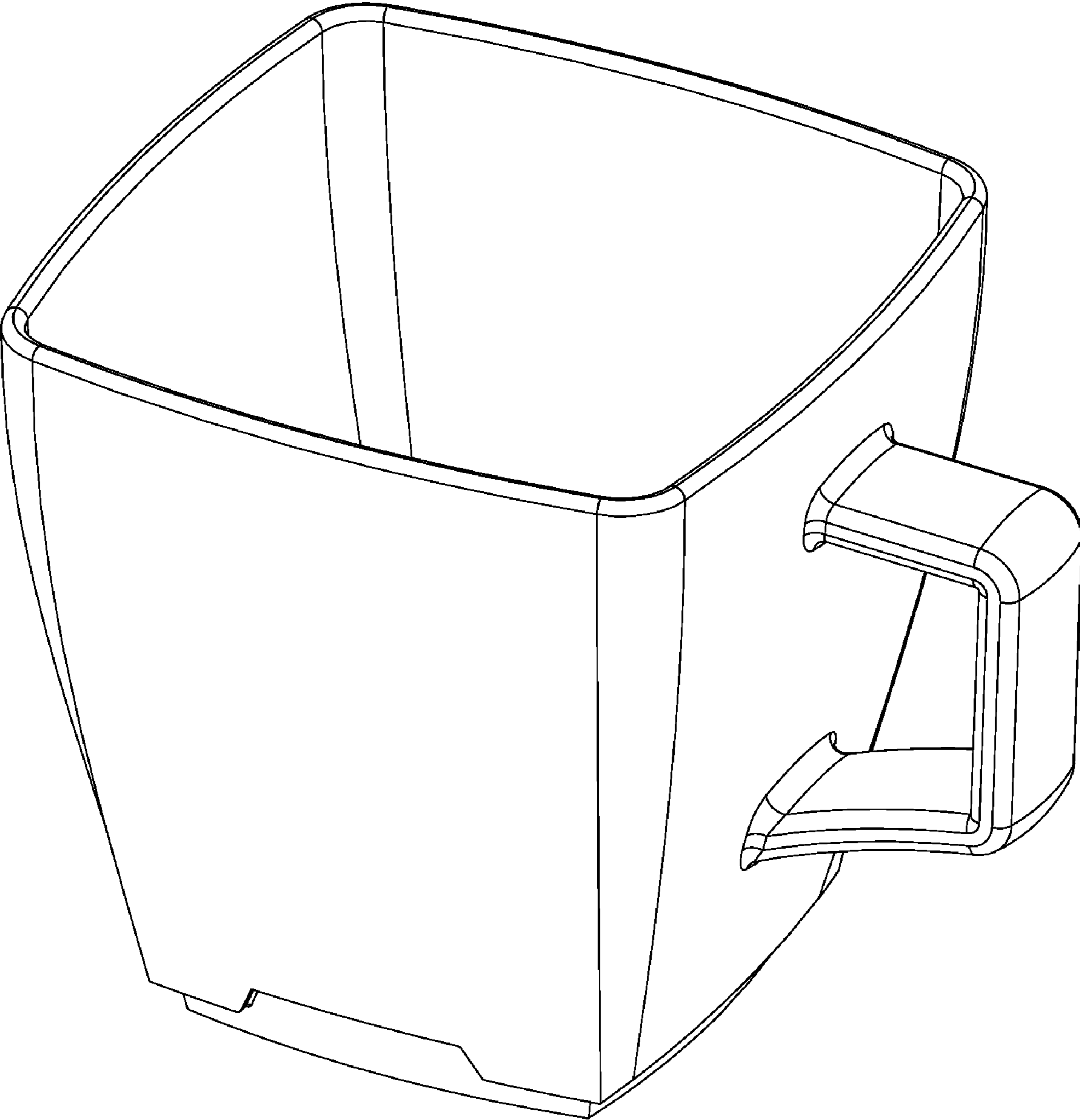


FIG. 1

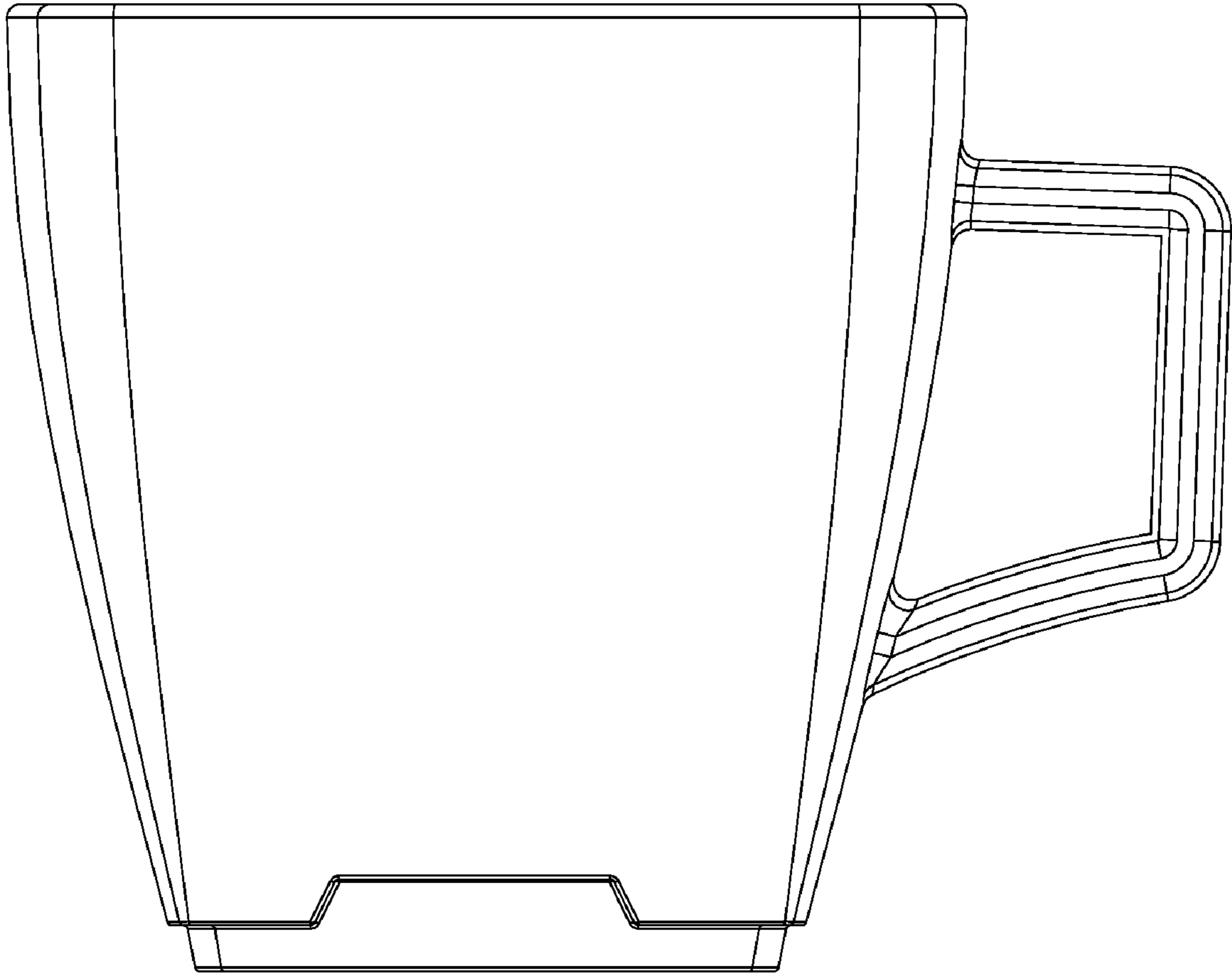
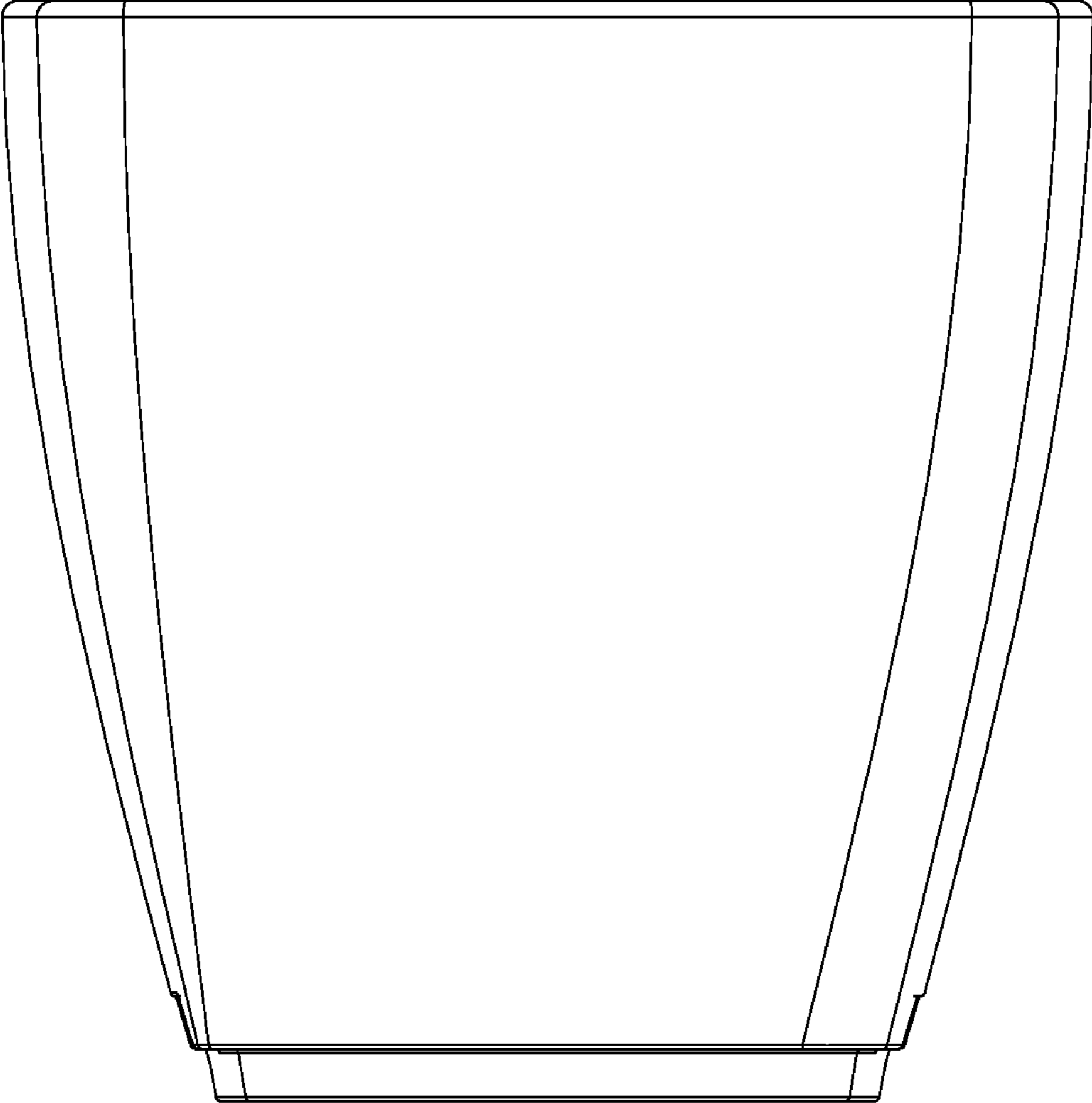
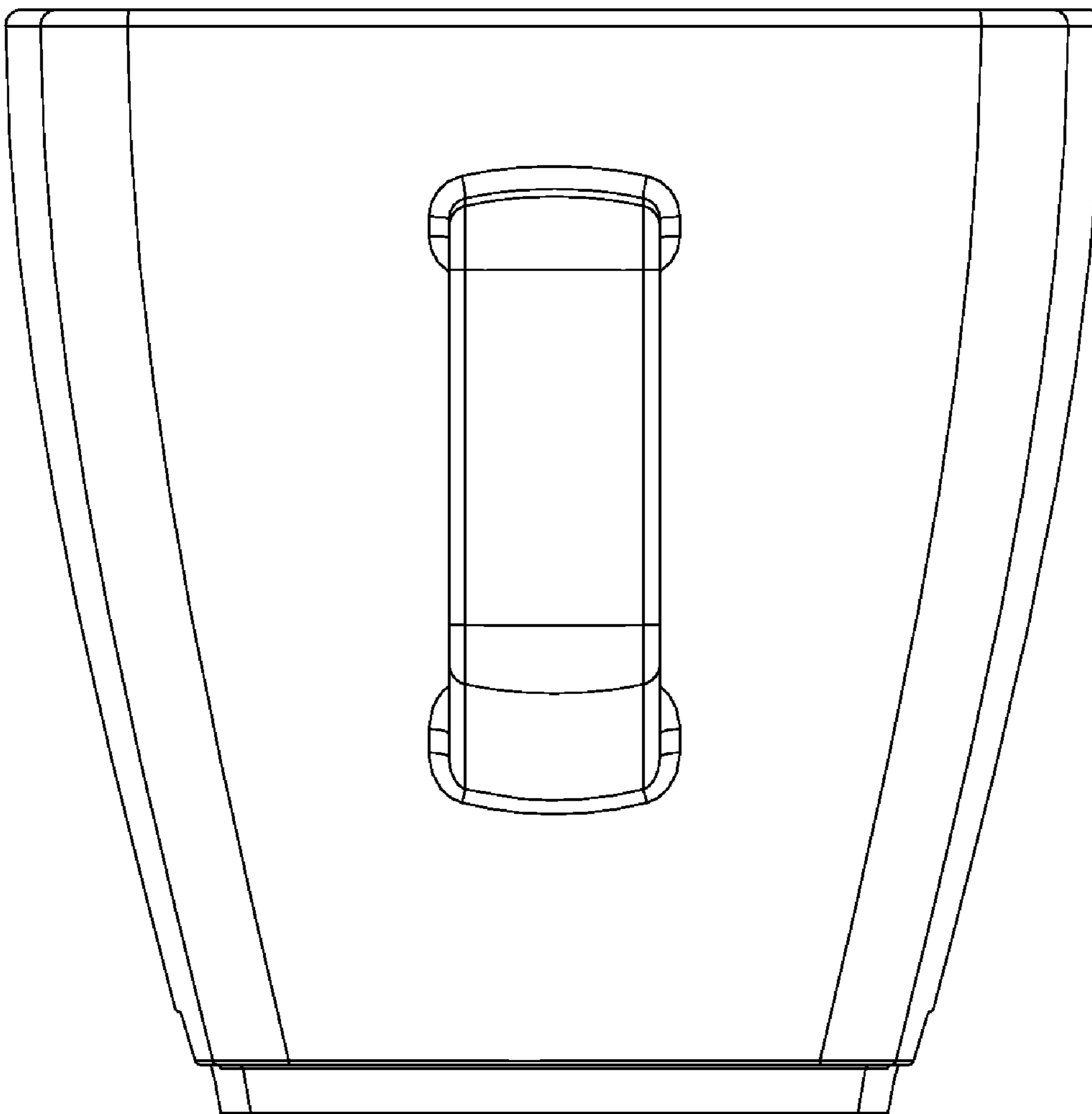


FIG.2



**FIG.3**



**FIG.4**

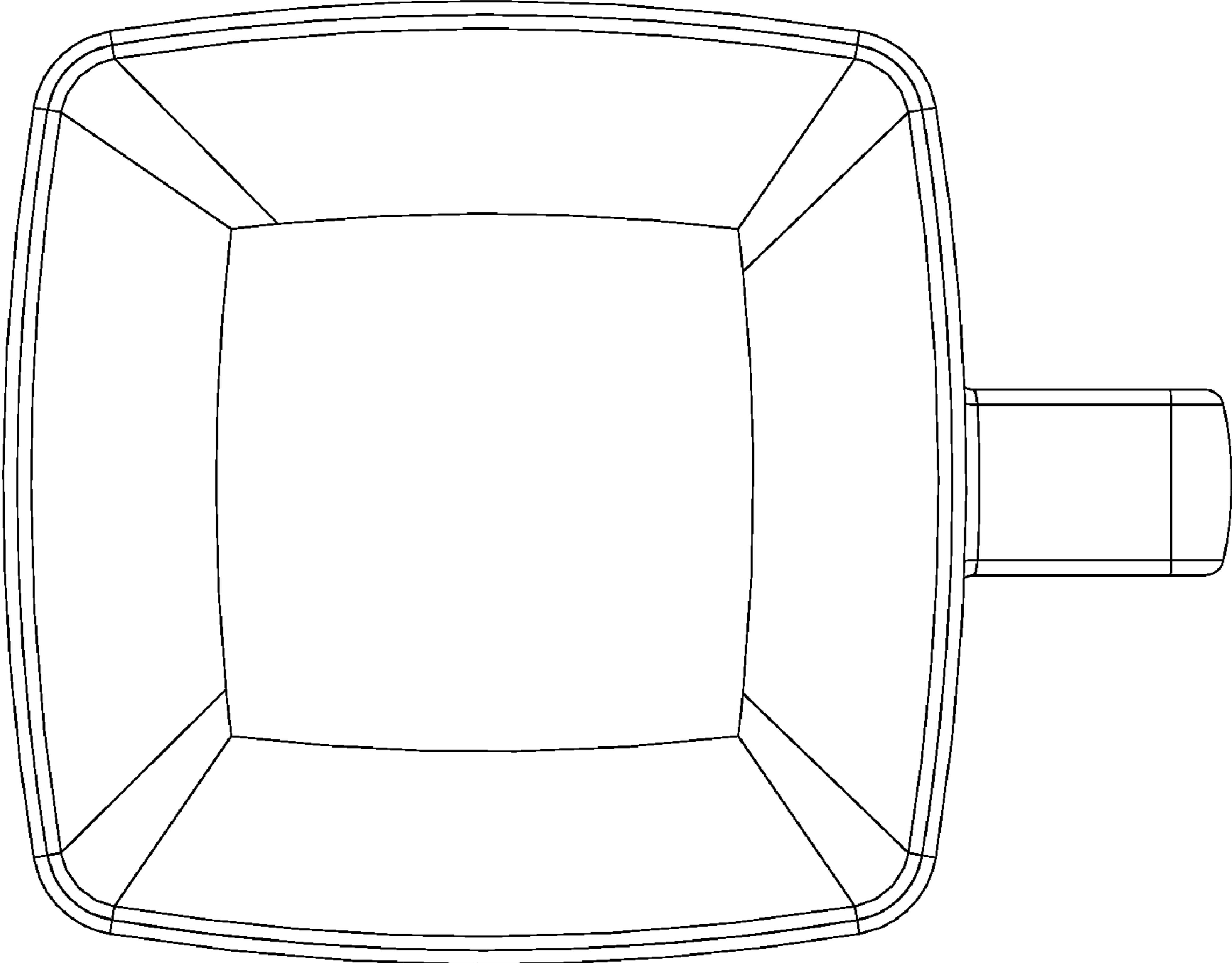


FIG.5

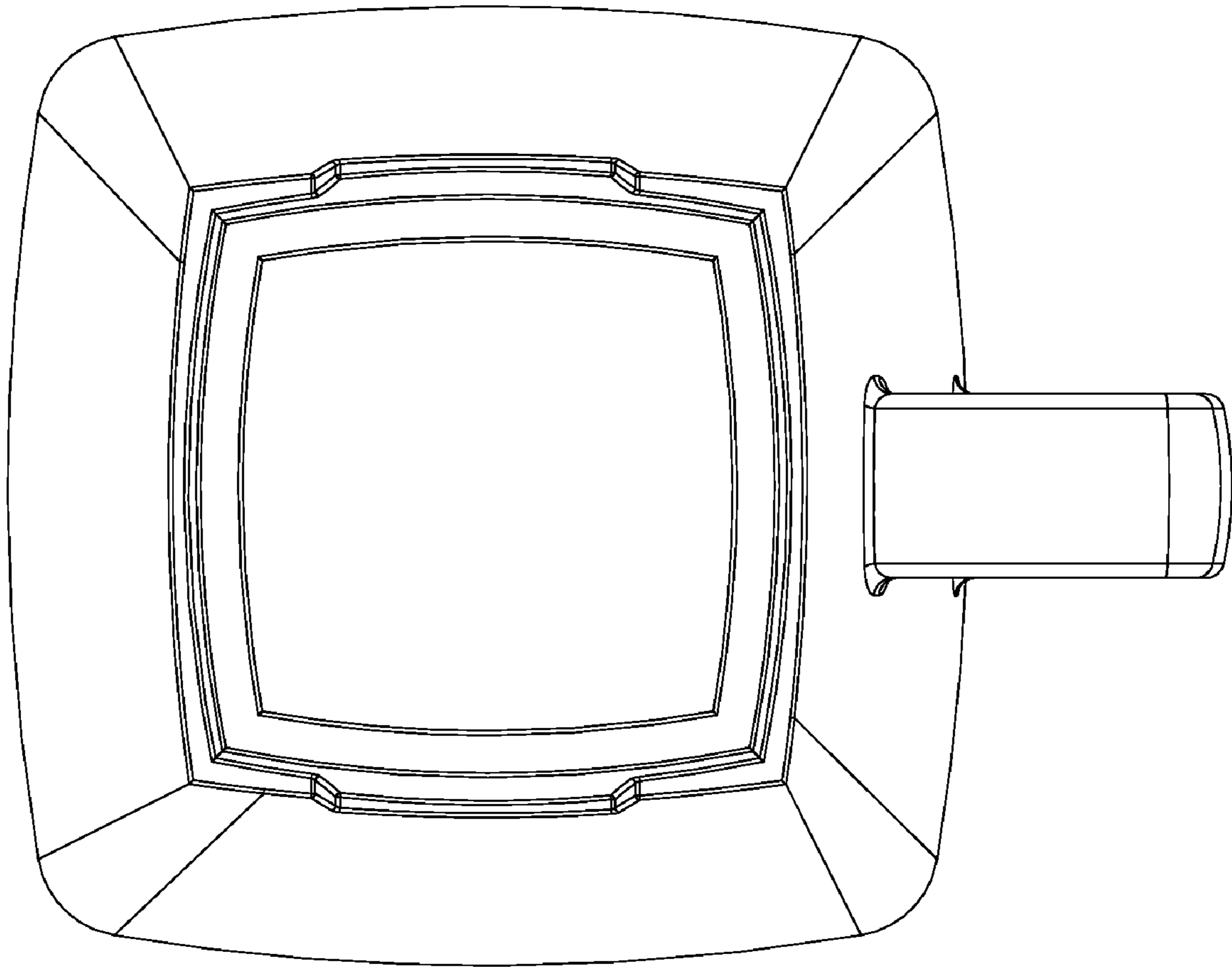


FIG.6

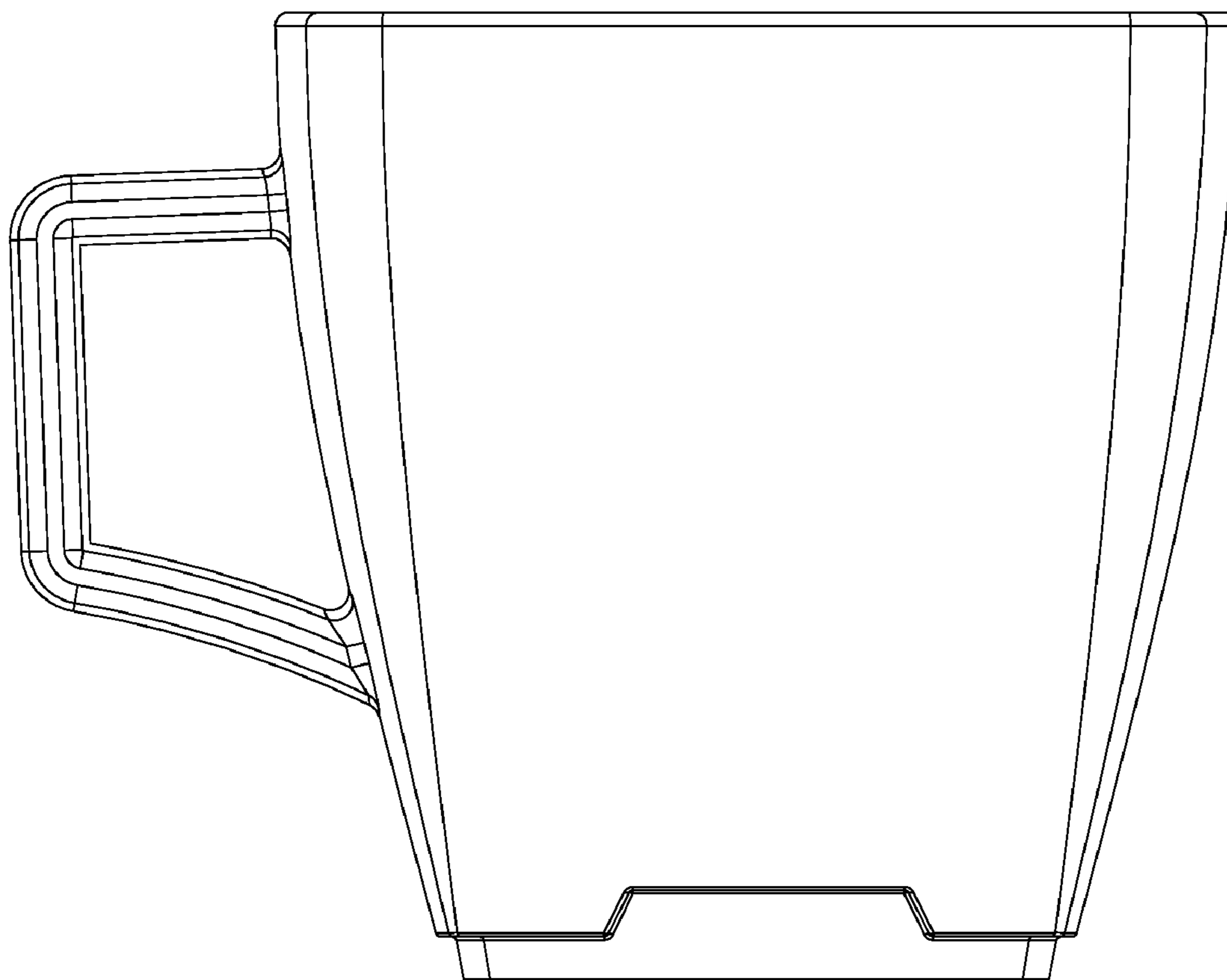


FIG. 7