



US00D615817S

(12) **United States Design Patent**
George

(10) **Patent No.:** **US D615,817 S**

(45) **Date of Patent:** **** May 18, 2010**

(54) **MUG**

D594,699 S * 6/2009 Spivey et al. D7/510
D595,089 S * 6/2009 Wahl D7/510

(75) Inventor: **Sarah Danger George**, Seattle, WA
(US)

* cited by examiner

(73) Assignee: **Pacific Market International, LLC**,
Seattle, WA (US)

Primary Examiner—Marianne Pandozzi
(74) *Attorney, Agent, or Firm*—Davis Wright Tremaine LLP;
George C. Rondeau, Jr.

(**) Term: **14 Years**

(57) **CLAIM**

(21) Appl. No.: **29/319,817**

The ornamental design for a mug, as shown and described.

(22) Filed: **Jun. 16, 2008**

DESCRIPTION

(51) **LOC (9) Cl.** **07-01**

FIG. 1 is a top front perspective view of a mug showing my new design;

(52) **U.S. Cl.** **D7/510; D7/511; D7/533;**
D7/536

FIG. 2 is a front elevational view thereof, the rear elevational view being a mirror image thereof.

(58) **Field of Classification Search** D7/507–536,
D7/396.1, 392.1; 220/592.16, 703, 715,
220/737, 675, DIG. 13, 710.5, 713; 215/315,
215/398; 206/520

FIG. 3 is a right side elevational view thereof.

See application file for complete search history.

FIG. 4 is a left side elevational view thereof.

(56) **References Cited**

FIG. 5 is a top plan view thereof.

U.S. PATENT DOCUMENTS

FIG. 6 is a bottom plan view thereof.

D334,869	S	*	4/1993	Mills	D7/605
5,249,703	A	*	10/1993	Karp	220/719
5,270,909	A	*	12/1993	Weiss et al.	362/208
D350,457	S	*	9/1994	Bailey	D7/622
D366,186	S	*	1/1996	Kato	D7/536
5,518,134	A	*	5/1996	Liu	220/816
D465,132	S	*	11/2002	Janky et al.	D7/510
D476,528	S	*	7/2003	Janky et al.	D7/536
D530,852	S	*	10/2006	Zheng	D27/148
D532,308	S	*	11/2006	Davies et al.	D9/522
D562,072	S	*	2/2008	Wahl	D7/510
D565,900	S	*	4/2008	Franco	D7/507
D592,909	S	*	5/2009	Alviar et al.	D7/510

FIG. 7 is a top front perspective view of a mug showing a second embodiment of my new design;

FIG. 8 is a front elevational view thereof, the rear elevational view being a mirror image thereof.

FIG. 9 is a right side elevational view thereof.

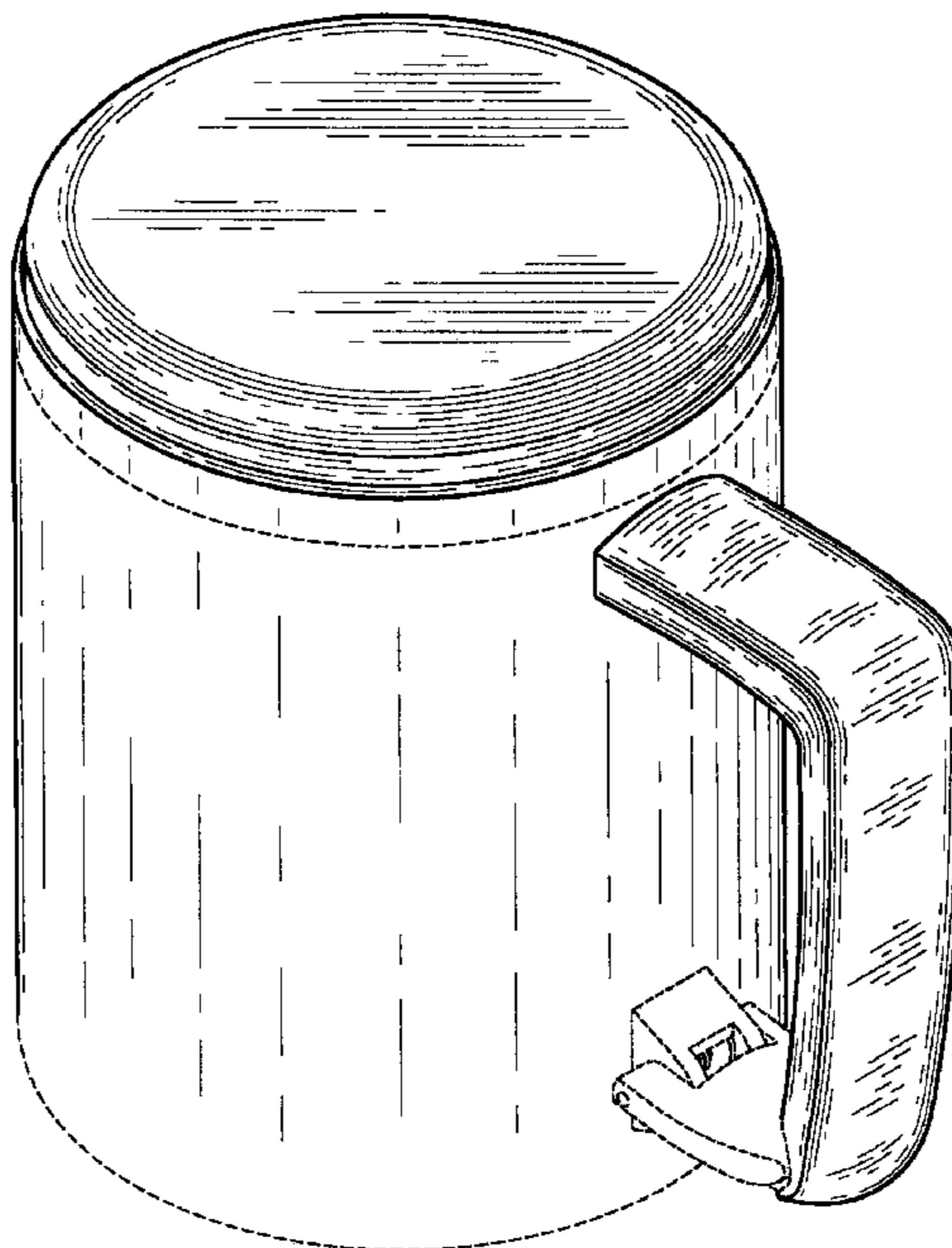
FIG. 10 is a left side elevational view thereof.

FIG. 11 is a top plan view thereof; and,

FIG. 12 is a bottom plan view thereof.

The broken lines are for illustrative purposes only and form no part of the claimed design.

1 Claim, 10 Drawing Sheets



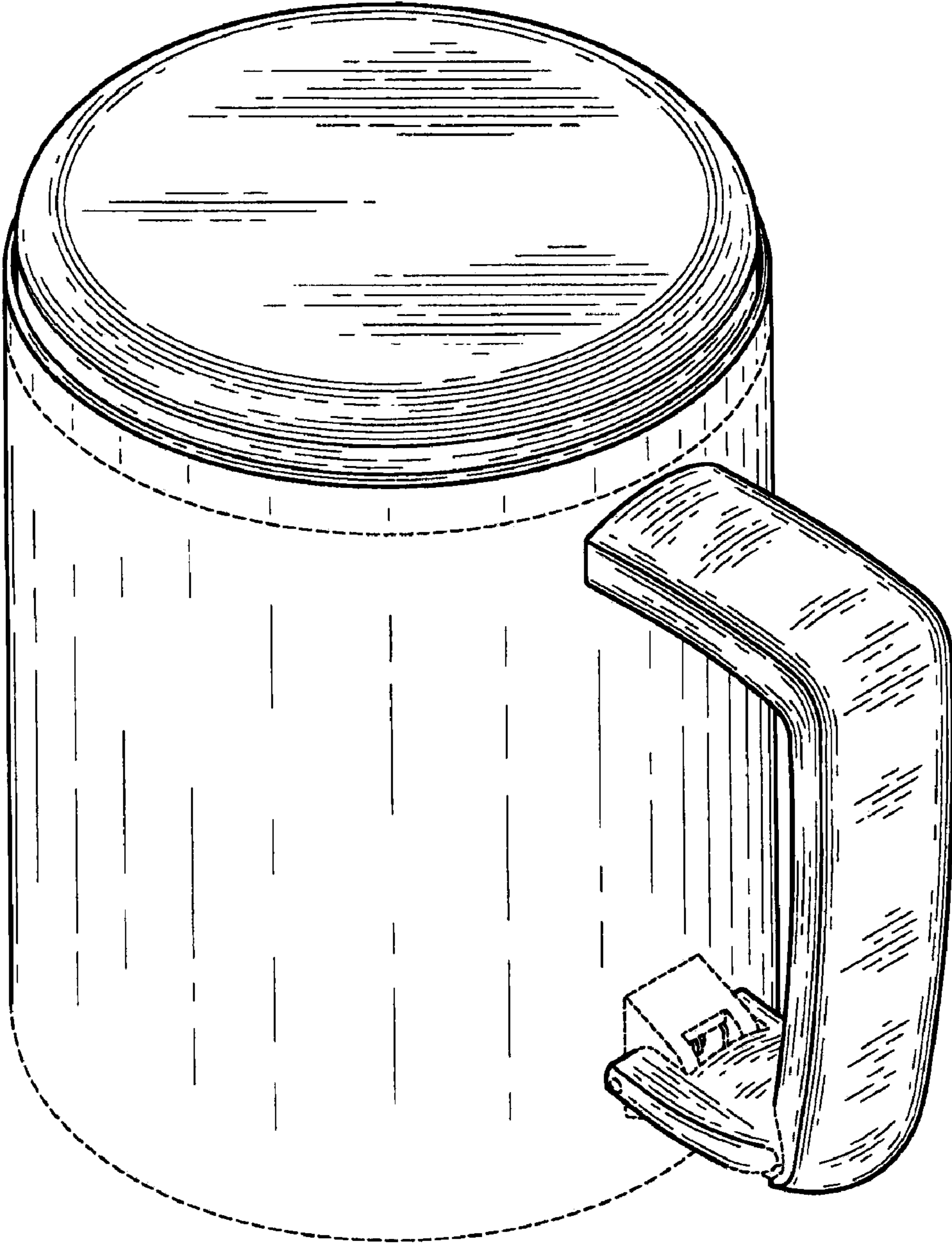


Fig. 1

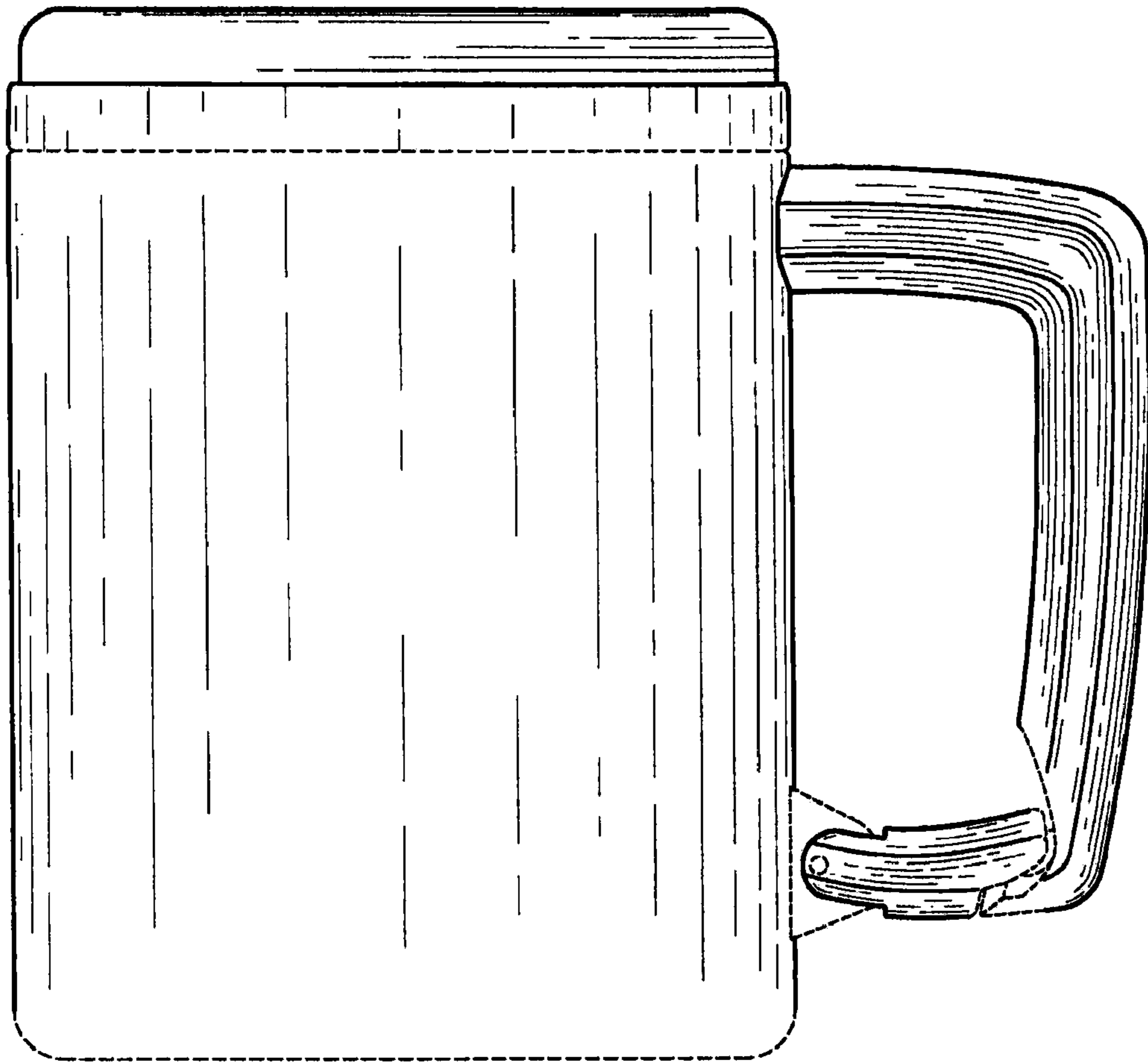


Fig. 2

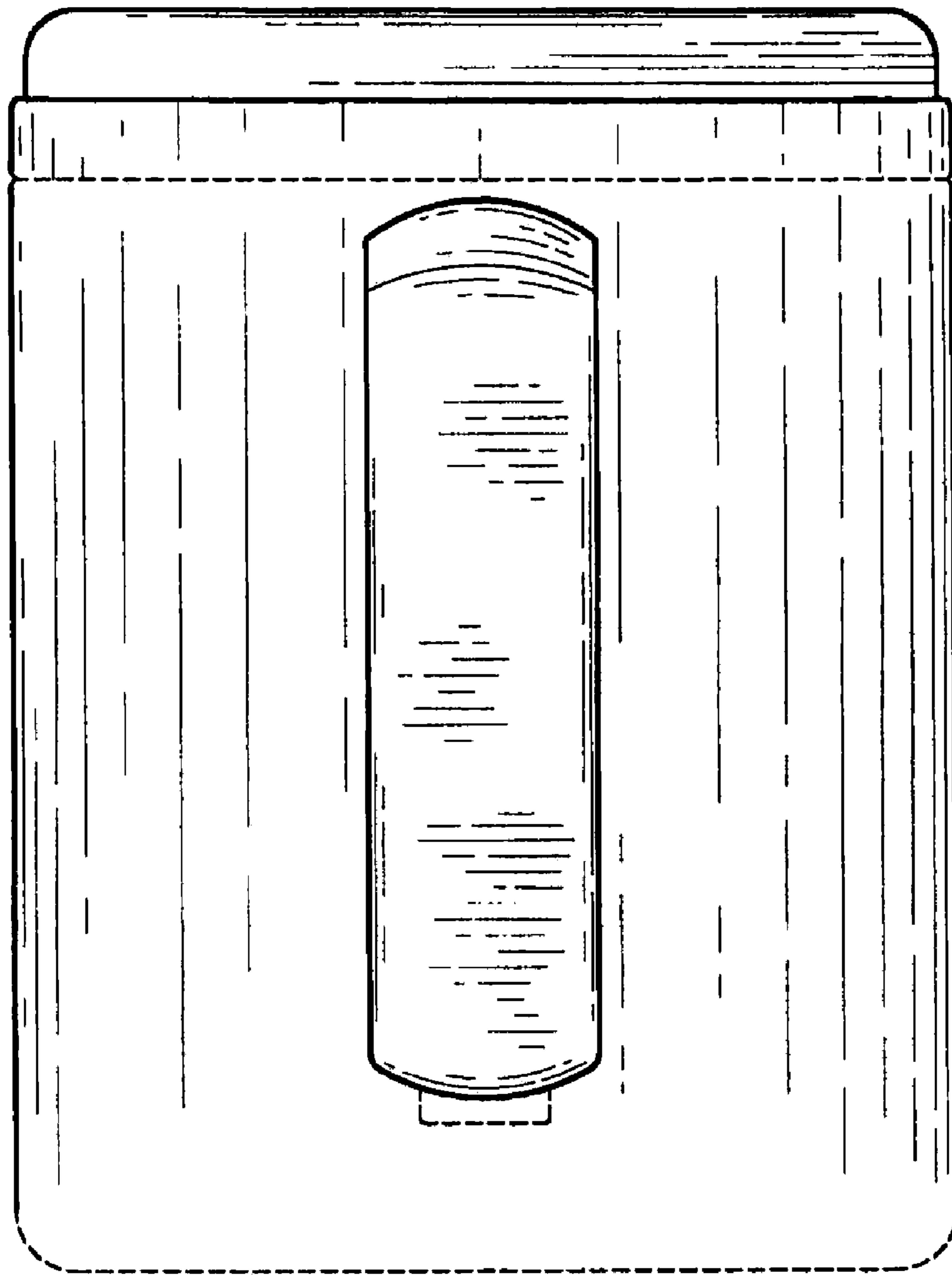


Fig. 3

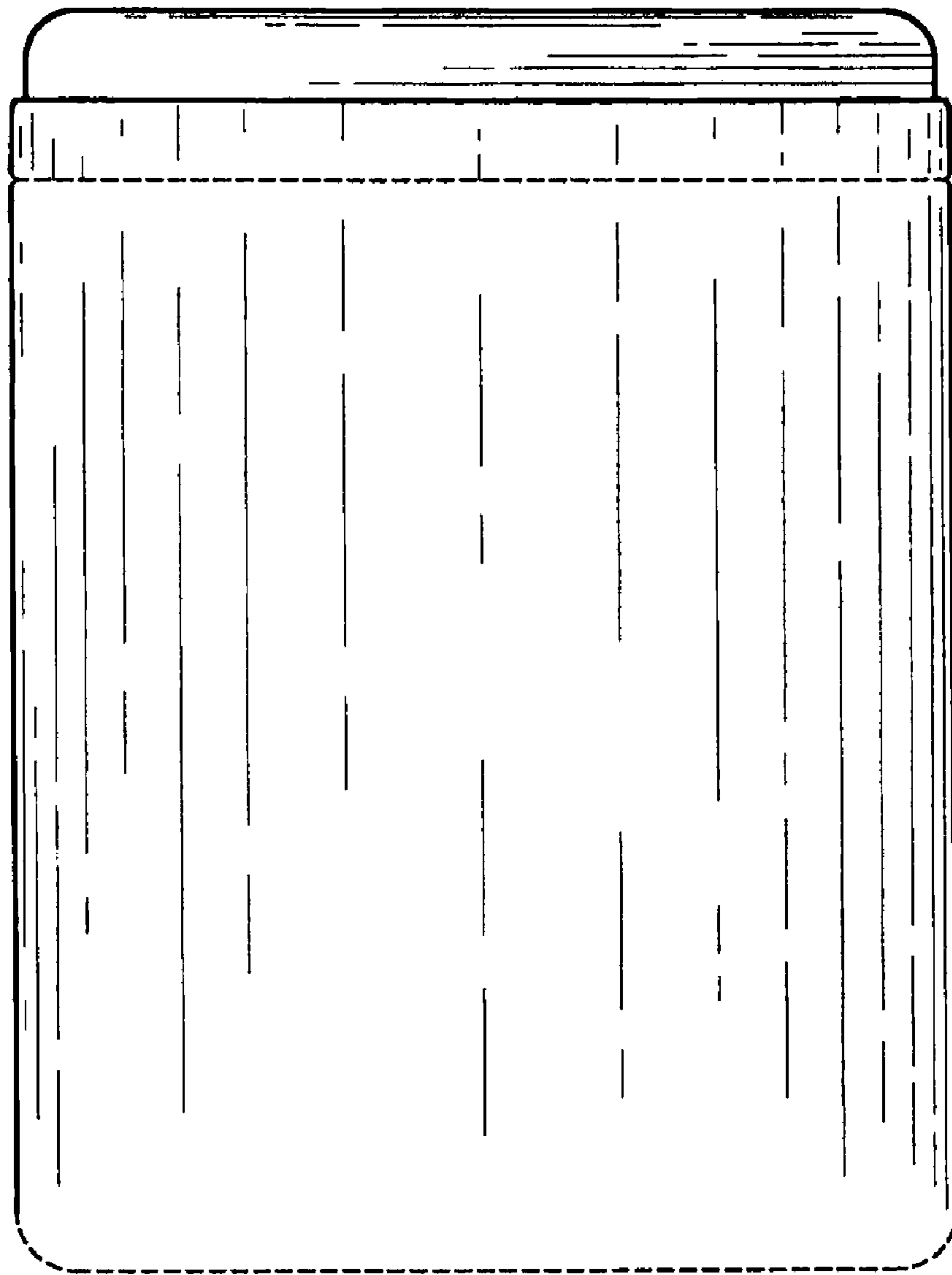


Fig. 4

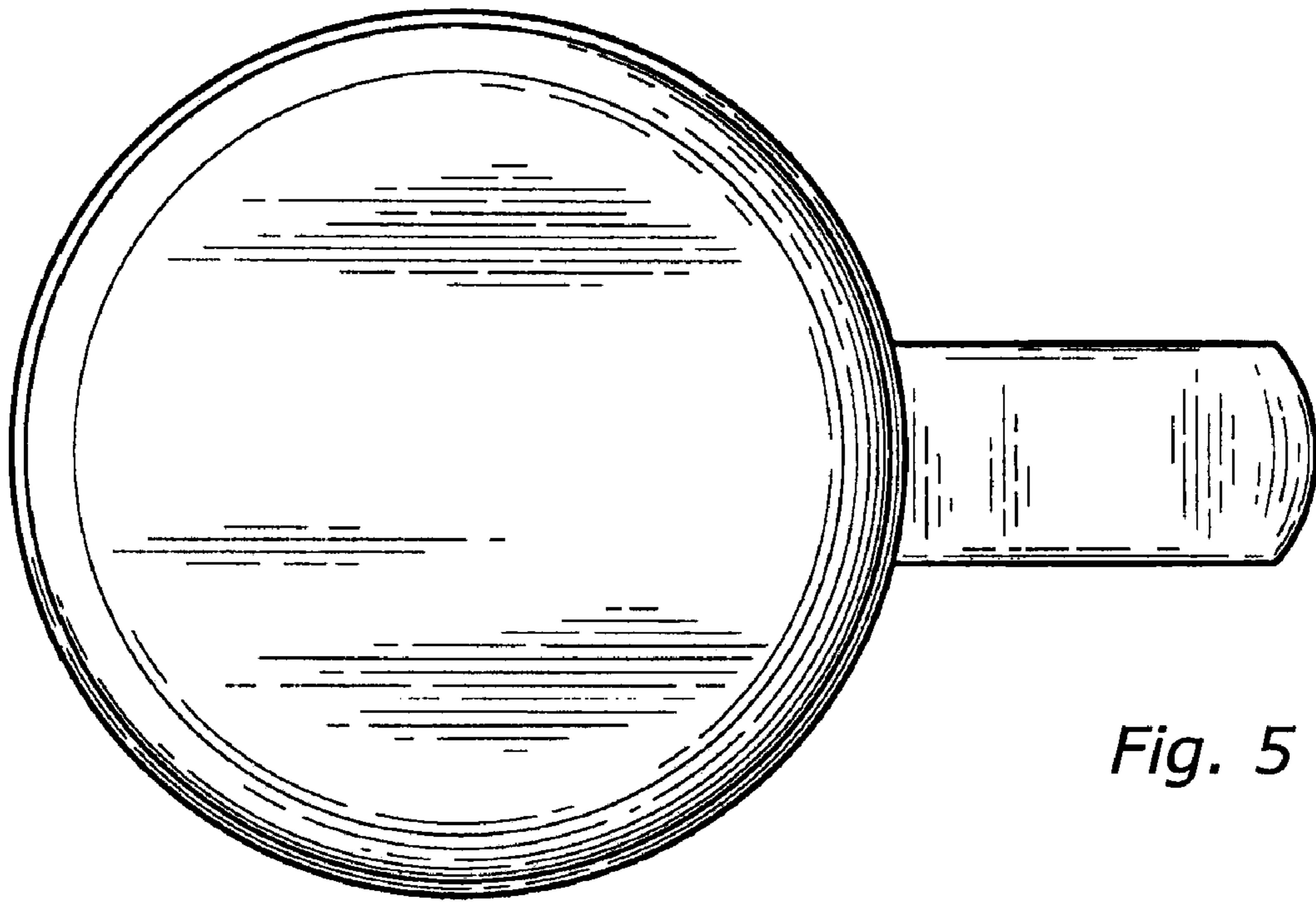


Fig. 5

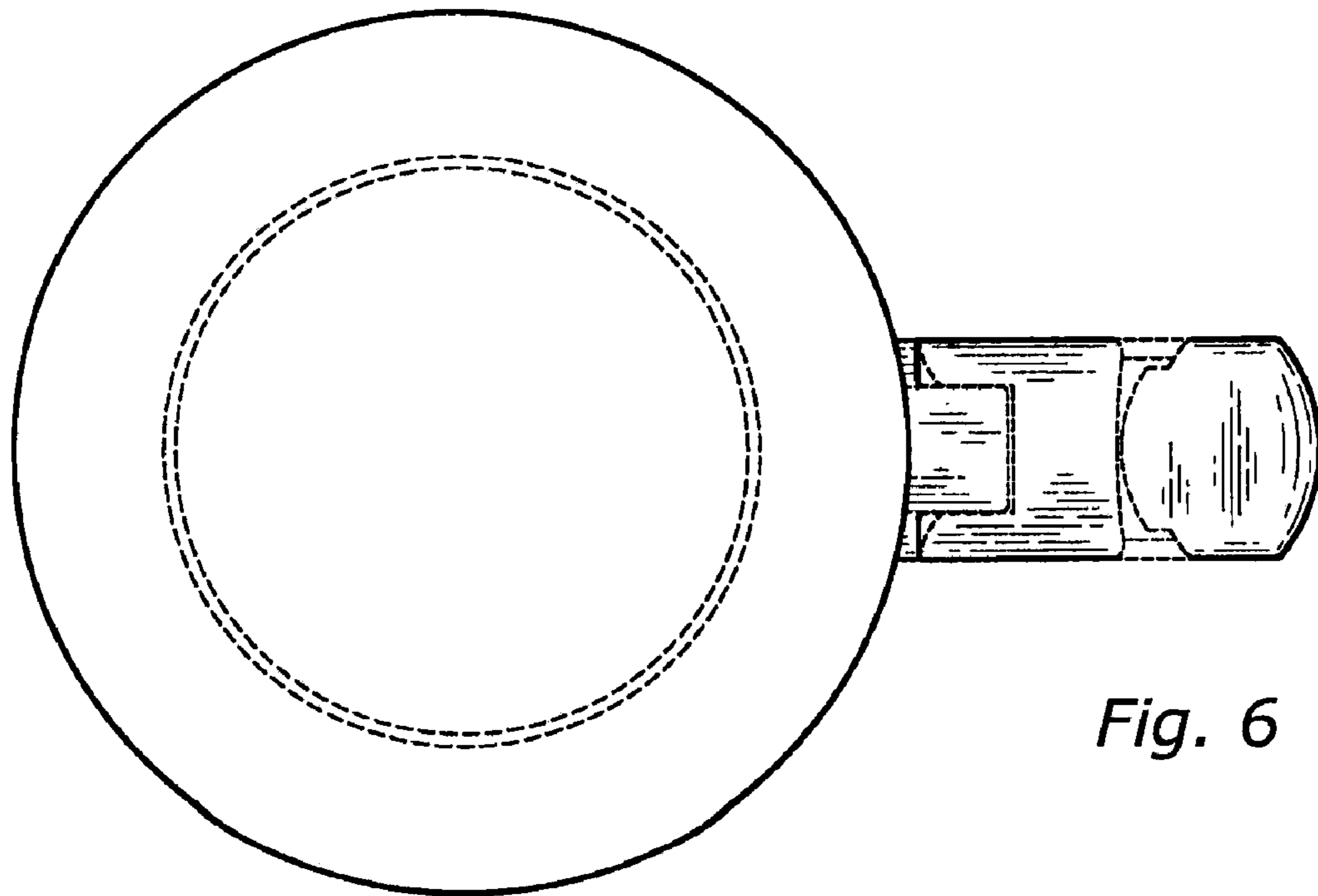


Fig. 6

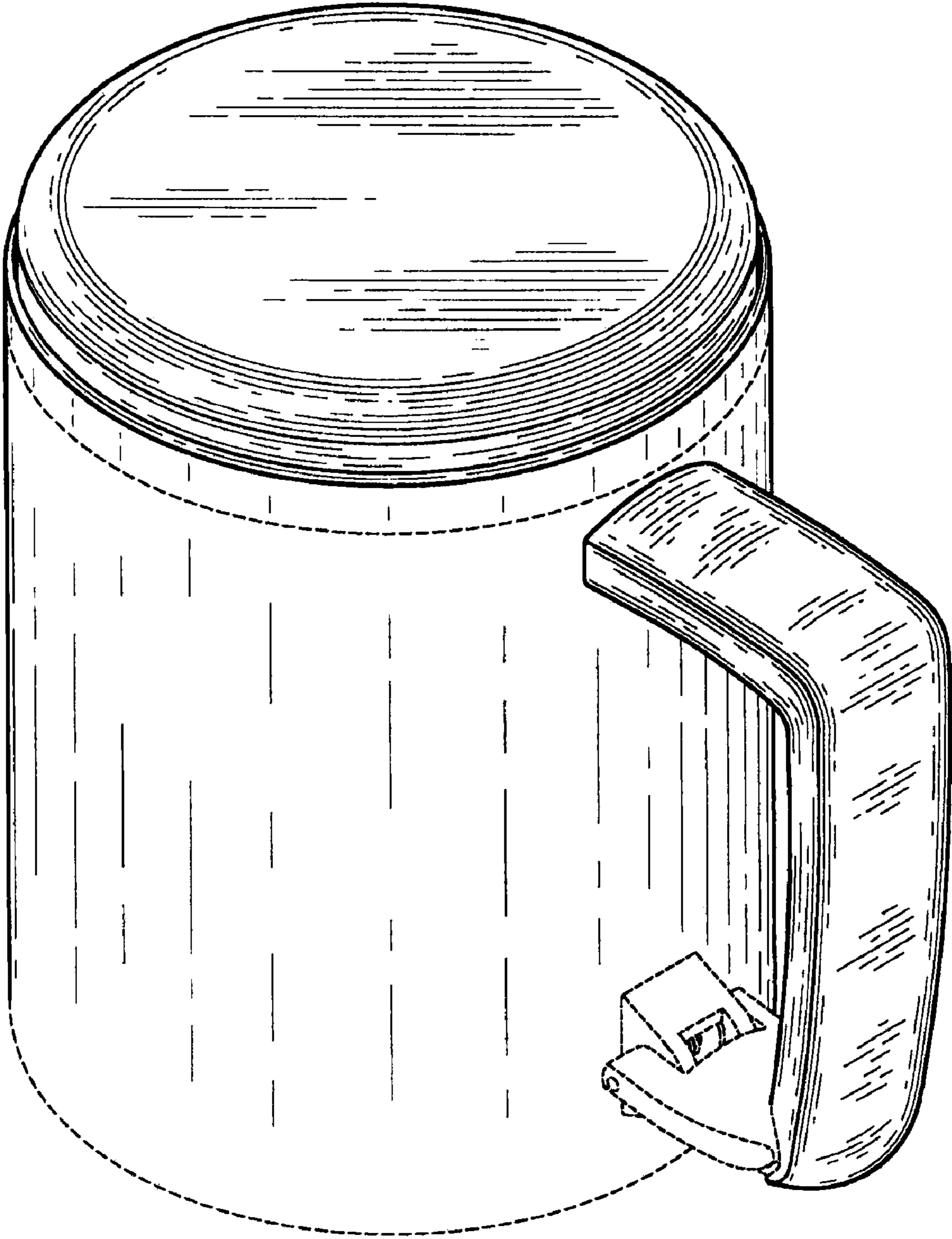


Fig. 7

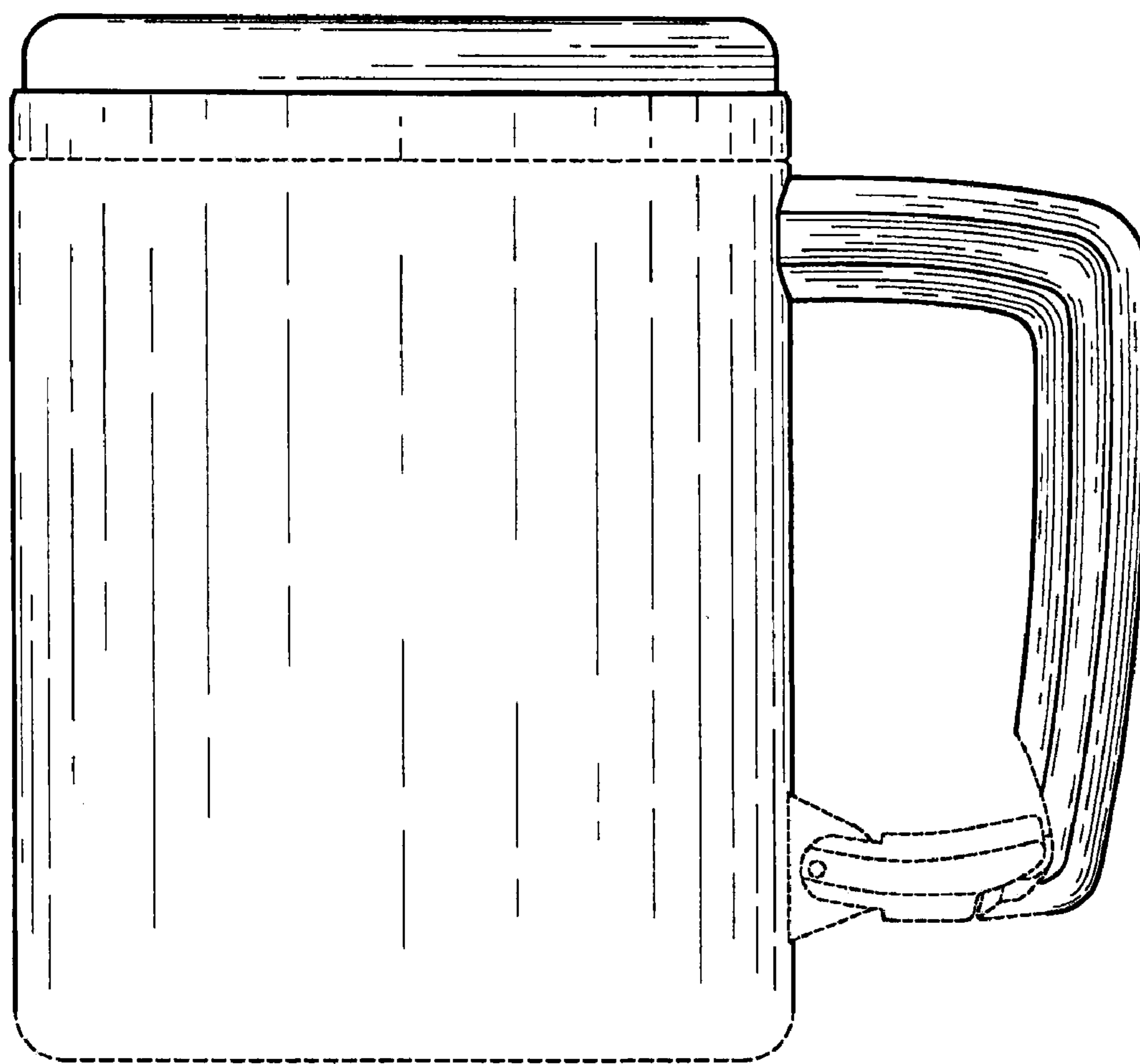


Fig. 8

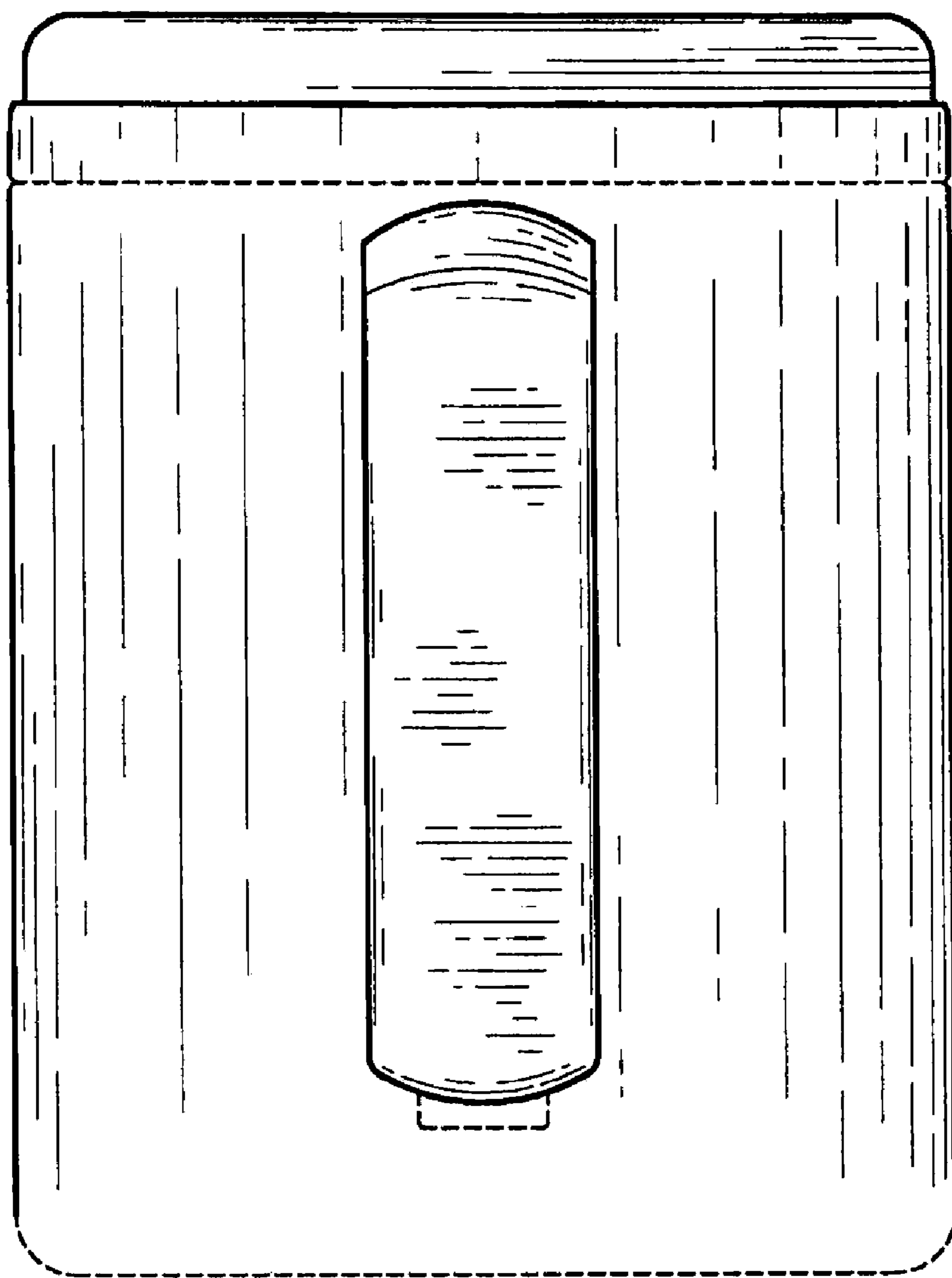


Fig. 9

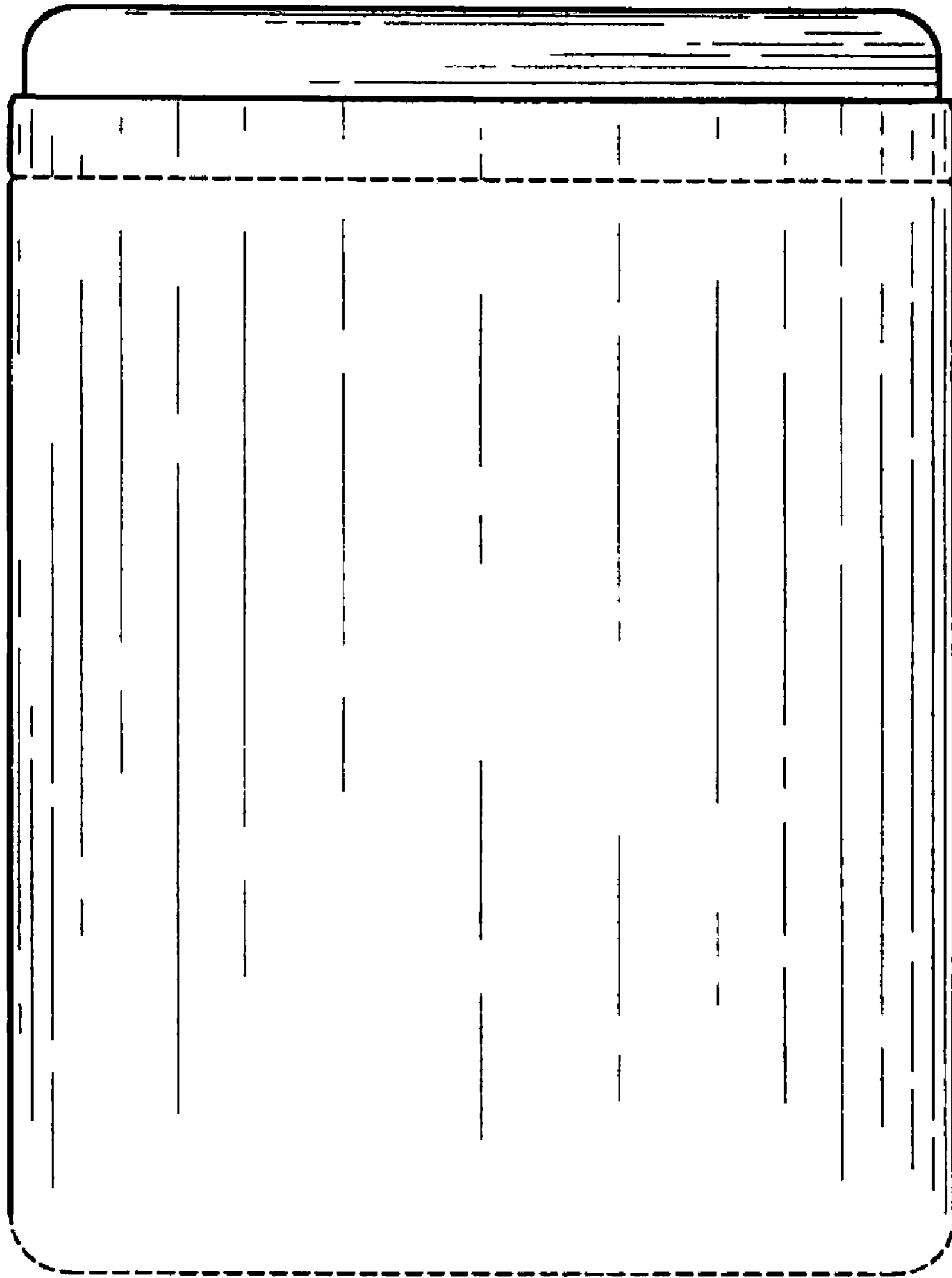


Fig. 10

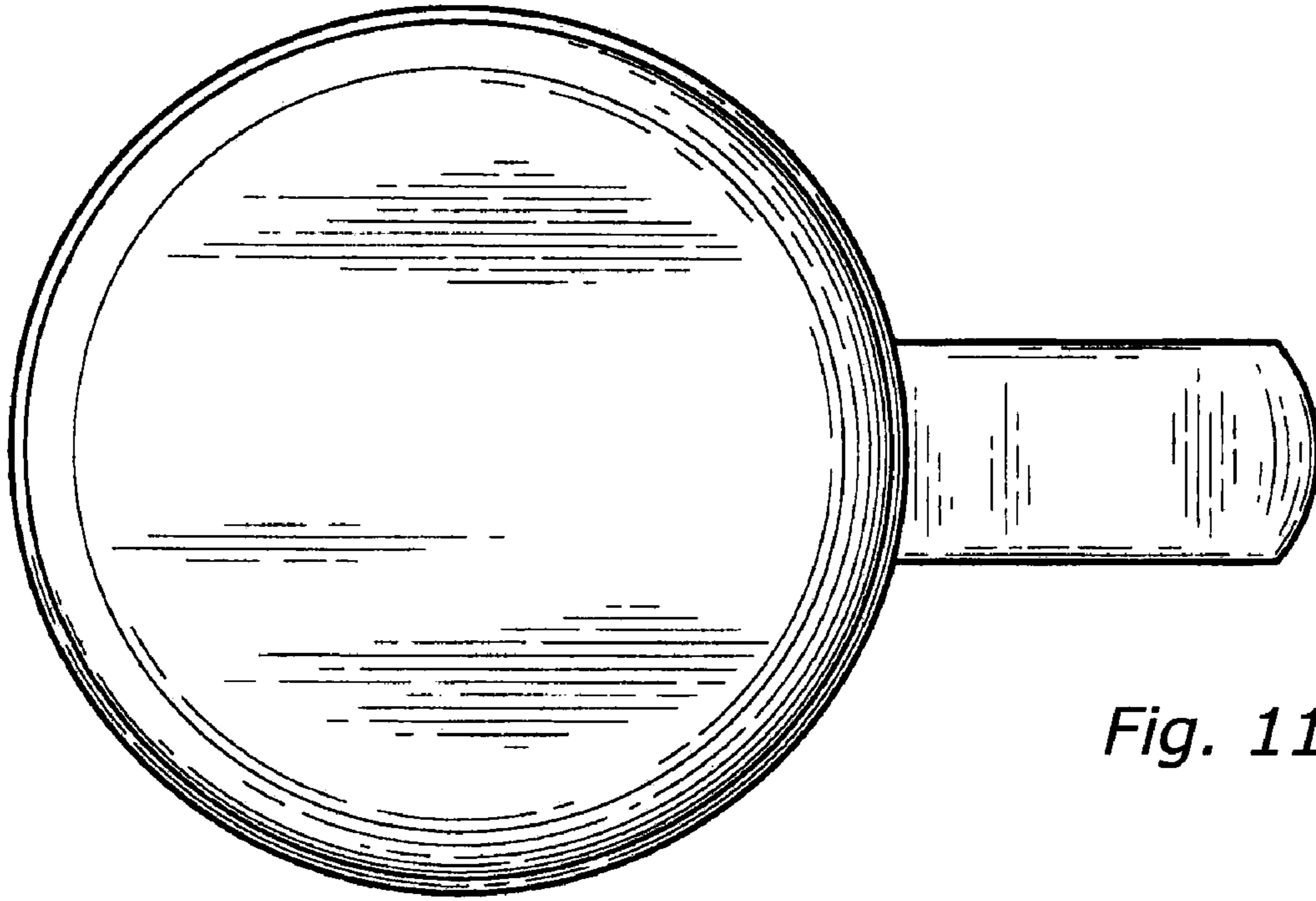


Fig. 11

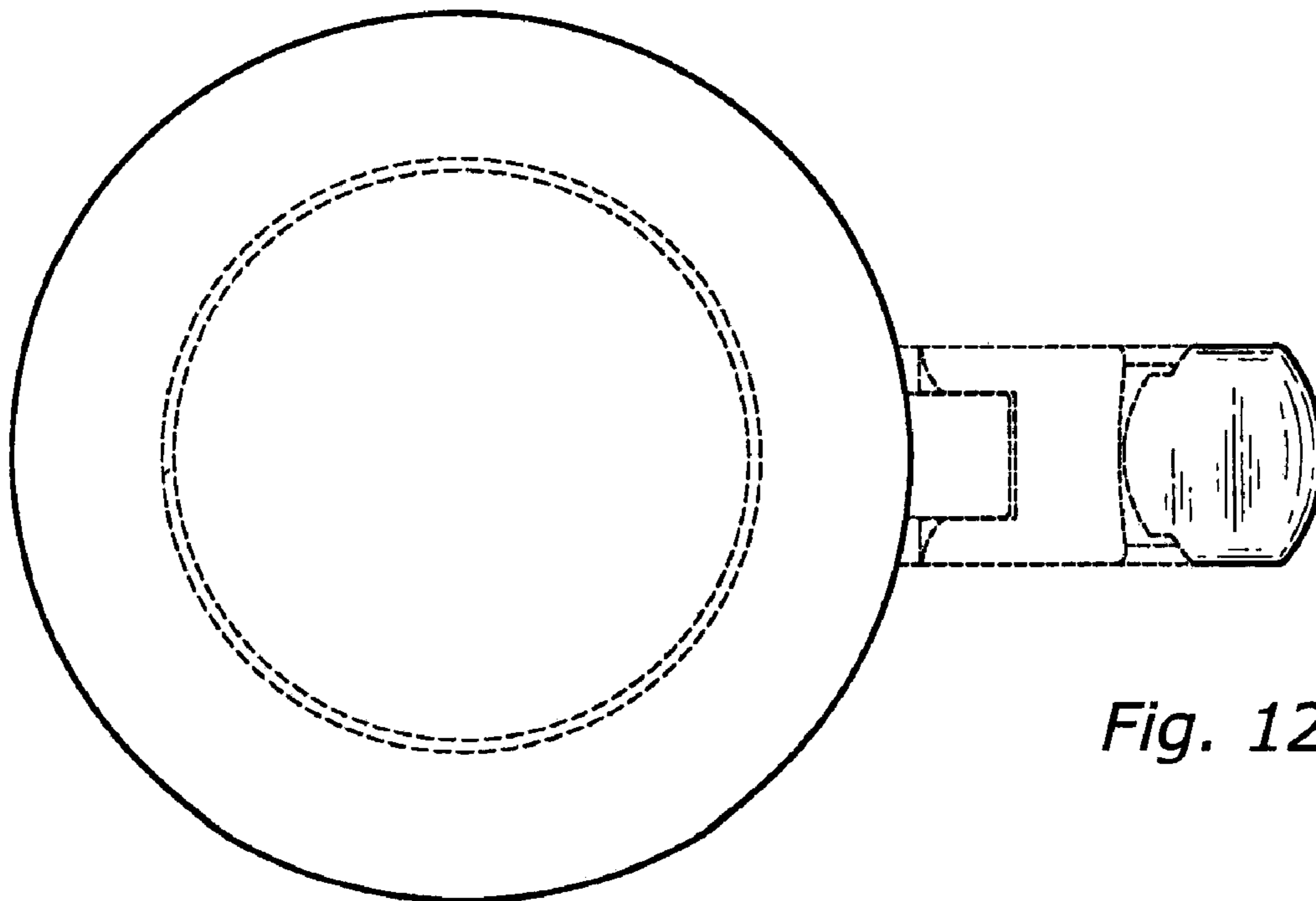


Fig. 12