



US00D615814S

(12) **United States Design Patent**  
**Creel**

(10) **Patent No.:** **US D615,814 S**  
(45) **Date of Patent:** **\*\* May 18, 2010**

(54) **COMBINATION AIRFLOW CONTROL AND SPARK ARRESTOR ASSEMBLY FOR A COOKER**

(75) Inventor: **John Creel**, Kennesaw, GA (US)

(73) Assignee: **The Big Green Egg, Inc.**, Tucker, GA (US)

(\*\*) Term: **14 Years**

(21) Appl. No.: **29/342,635**

(22) Filed: **Aug. 28, 2009**

**Related U.S. Application Data**

(63) Continuation of application No. 11/462,381, filed on Aug. 4, 2006.

(51) **LOC (9) Cl.** ..... **07-02**

(52) **U.S. Cl.** ..... **D7/402**

(58) **Field of Classification Search** ..... D3/352, D3/332-337, 402-405; D7/323, 330-339, D7/347, 350-367, 378-379, 383-384, 391, D7/409, 542-545, 665, 667; D28/16; 34/92; 99/324-325, 329 R, 330-341, 403, 407, 412-413, 99/428, 430, 450; 126/25 A, 25 AA, 25 R, 126/29, 30; 219/432-433, 438-441, 620-622, 219/725-730; 220/203.1, 203.7, 303, 525, 220/573.1-574, 769, 912; 426/438, 441, 426/523

See application file for complete search history.

(56) **References Cited**

**U.S. PATENT DOCUMENTS**

1,537,216 A 5/1925 Bagby

(Continued)

*Primary Examiner*—Caron Veynar

*Assistant Examiner*—Ricky Pham

(74) *Attorney, Agent, or Firm*—Adorno & Yoss, LLC; R. Stevan Coursey

(57) **CLAIM**

The ornamental design for a combination airflow control and spark arrestor assembly for a cooker, as shown and described.

**DESCRIPTION**

FIG. 1 is a front perspective view of my combination airflow control and spark arrestor assembly for a cooker according to my design;

FIG. 2 is a front elevational view of the combination airflow control and spark arrestor of the combination airflow control and spark arrestor assembly both in fully retracted positions according to my design;

FIG. 3 is a front elevational view of the combination airflow control and spark arrestor assembly for a cooker with the cover plate of the combination airflow control and spark arrestor assembly in a fully retracted position and the spark arrestor of the combination airflow control and spark arrestor assembly in a non-retracted position according to my design;

FIG. 4 is a front elevational view of the combination airflow control and spark arrestor assembly for a cooker with the cover plate of the combination airflow control and spark arrestor assembly in a partially retracted position and the spark arrestor of the combination airflow control and spark arrestor assembly in a non-retracted position according to my design;

FIG. 5 is a front elevational view of the combination airflow control and spark arrestor assembly for a cooker with the cover plate and spark arrestor of the combination airflow control and spark arrestor assembly both in non-retracted positions according to my design;

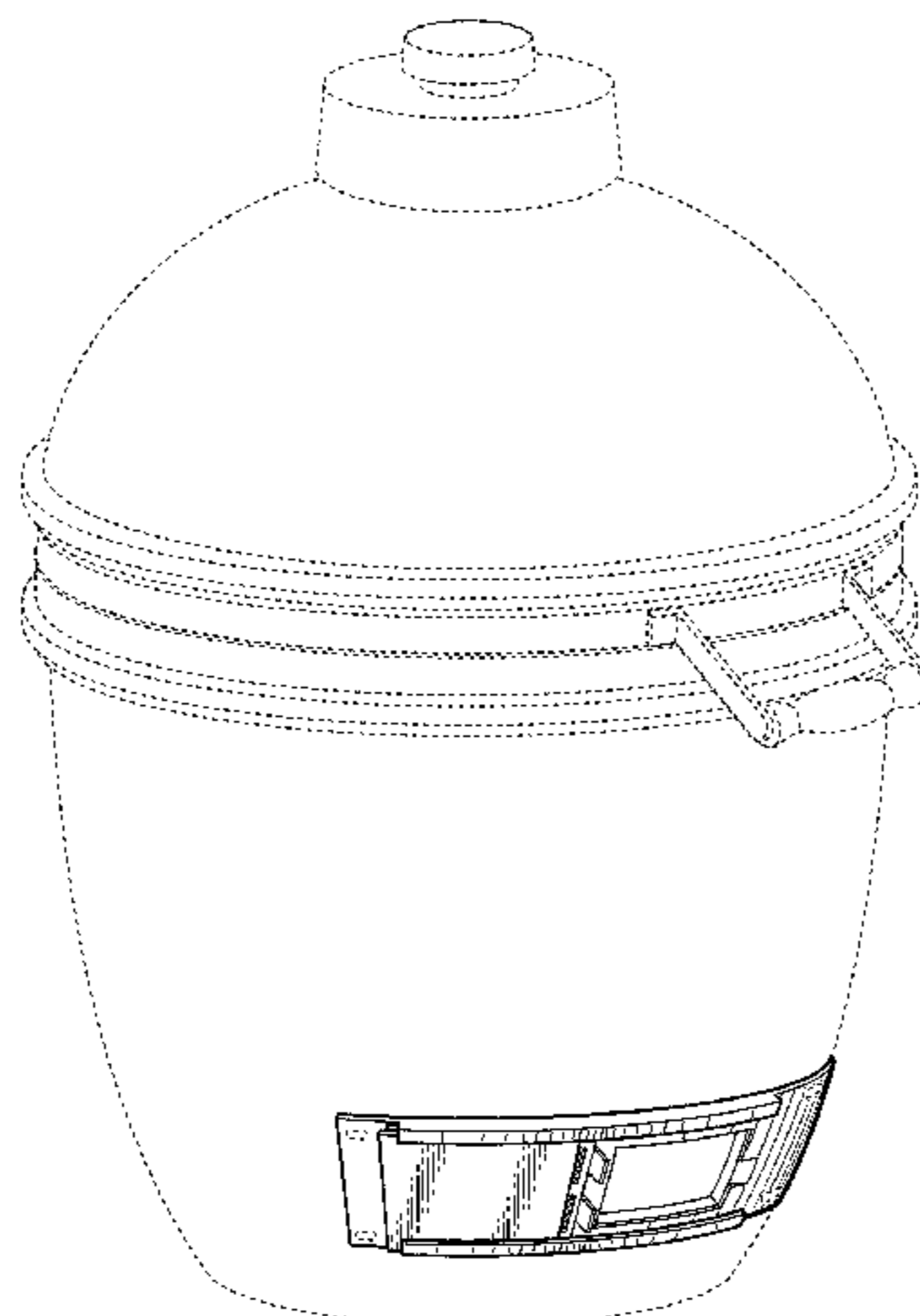
FIG. 6 is a left side elevational view of the combination airflow control and spark arrestor assembly for a cooker according to my design;

FIG. 7 is a right side elevational view of the combination airflow control and spark arrestor assembly for a cooker according to my design; and,

FIG. 8 is a bottom plan view of the combination airflow control and spark arrestor assembly for a cooker according to my design.

The broken lines shown herein are for illustrative purposes only and form no part of the claimed design.

**1 Claim, 8 Drawing Sheets**

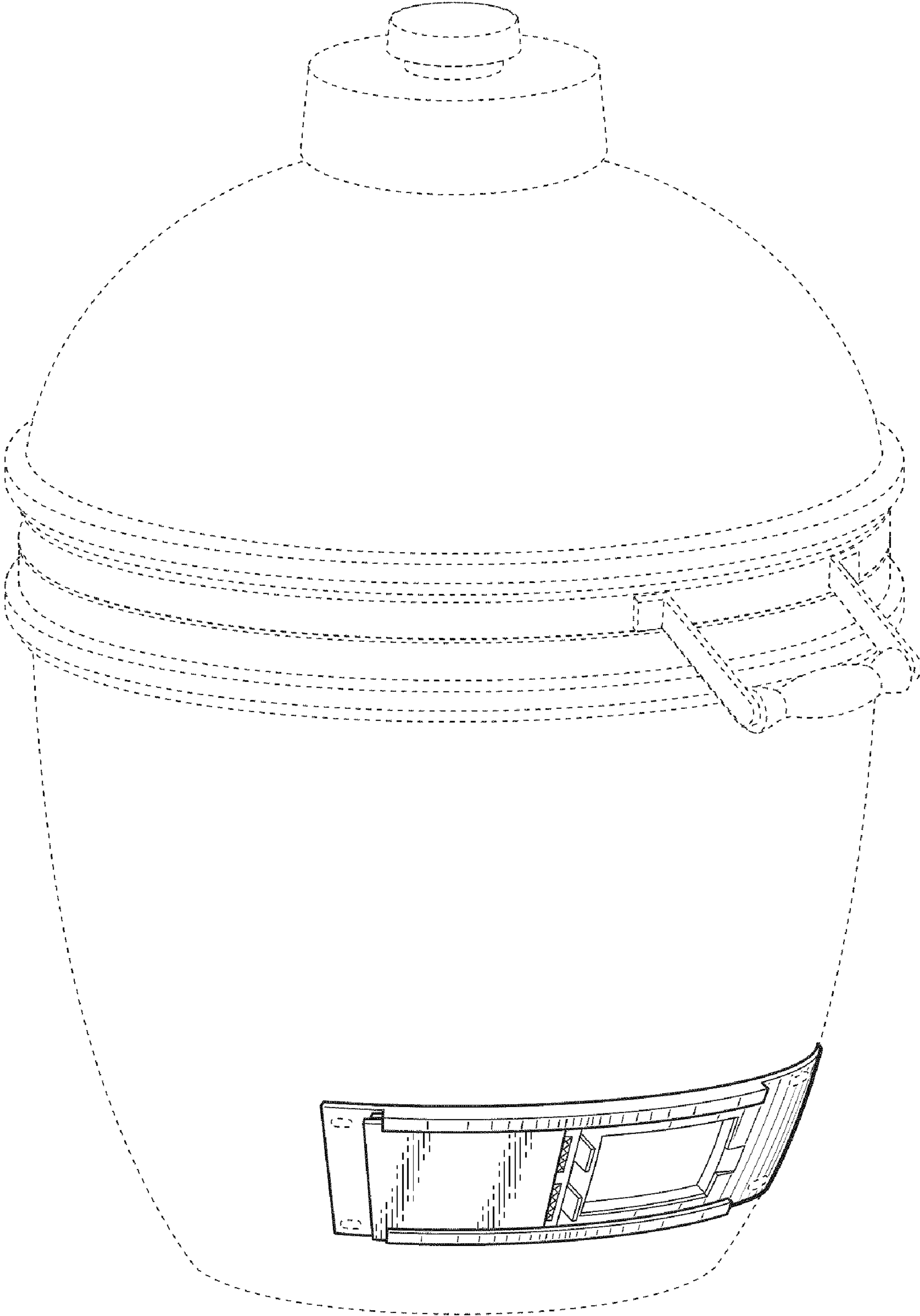


# US D615,814 S

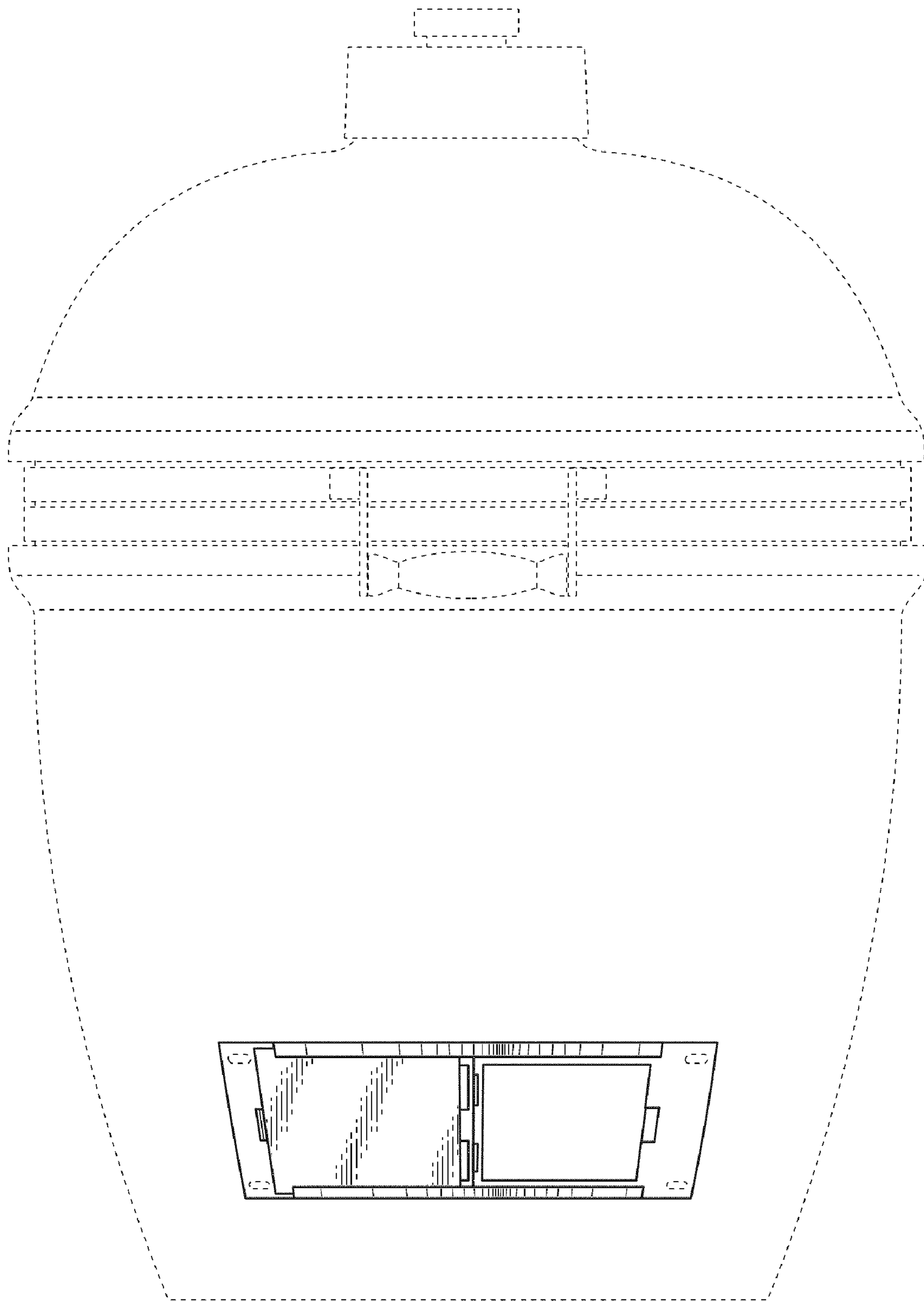
Page 2

U.S. PATENT DOCUMENTS					
1,641,022	A	8/1927 Calhoun	3,915,144	A	10/1975 Tomita
1,740,486	A	12/1929 Wheelock	3,915,145	A	10/1975 Tomita
2,722,883	A	11/1955 Rignell	4,123,001	A	10/1978 Kolt
2,776,707	A	1/1957 Clayton	4,183,348	A	1/1980 Smith
2,786,463	A	3/1957 Vincent	4,216,760	A	8/1980 Wiggins
2,820,513	A	1/1958 Drakoff	4,231,288	A	11/1980 Finley
2,894,447	A	7/1959 Persinger	4,245,614	A	1/1981 Hurwitz et al.
3,027,887	A	4/1962 Krohncke	4,374,534	A	2/1983 Jespers et al.
3,118,749	A	1/1964 Acacia	4,489,706	A	12/1984 Hait
D201,416	S *	6/1965 Sazegar ..... D7/337	4,508,094	A	4/1985 Hait
D201,937	S *	8/1965 Johnson ..... D7/337	4,587,947	A	5/1986 Tomita
3,209,743	A	10/1965 Stewart et al.	4,760,773	A	8/1988 Pezzulli
3,220,400	A	11/1965 Yager	D318,327	S	7/1991 Sorensen
D207,982	S *	6/1967 Petertil ..... D28/16	5,251,607	A	10/1993 Traeger et al.
3,368,544	A	2/1968 Duncan	5,598,834	A	2/1997 Grady
3,391,682	A	7/1968 King et al.	5,740,849	A	4/1998 Tashman
3,494,349	A	2/1970 Allen	5,836,298	A	11/1998 Grady
3,499,432	A	3/1970 Hannebaum	5,960,788	A	10/1999 Bach et al.
D219,693	S *	1/1971 Hahn ..... D7/337	D420,243	S *	2/2000 Samaras ..... D7/332
3,777,735	A	12/1973 Miller	D444,663	S *	7/2001 Samaras ..... D7/337
3,830,146	A	8/1974 Kaiser	D463,196	S *	9/2002 Hsu ..... D7/332
3,841,299	A	10/1974 Tomita	D592,442	S *	5/2009 Rutter et al. .... D7/334
3,851,639	A	12/1974 Beddoe	2004/0079357	A1	4/2004 Klemming
3,880,139	A	4/1975 Young	2007/0047166	A1	3/2007 Creel

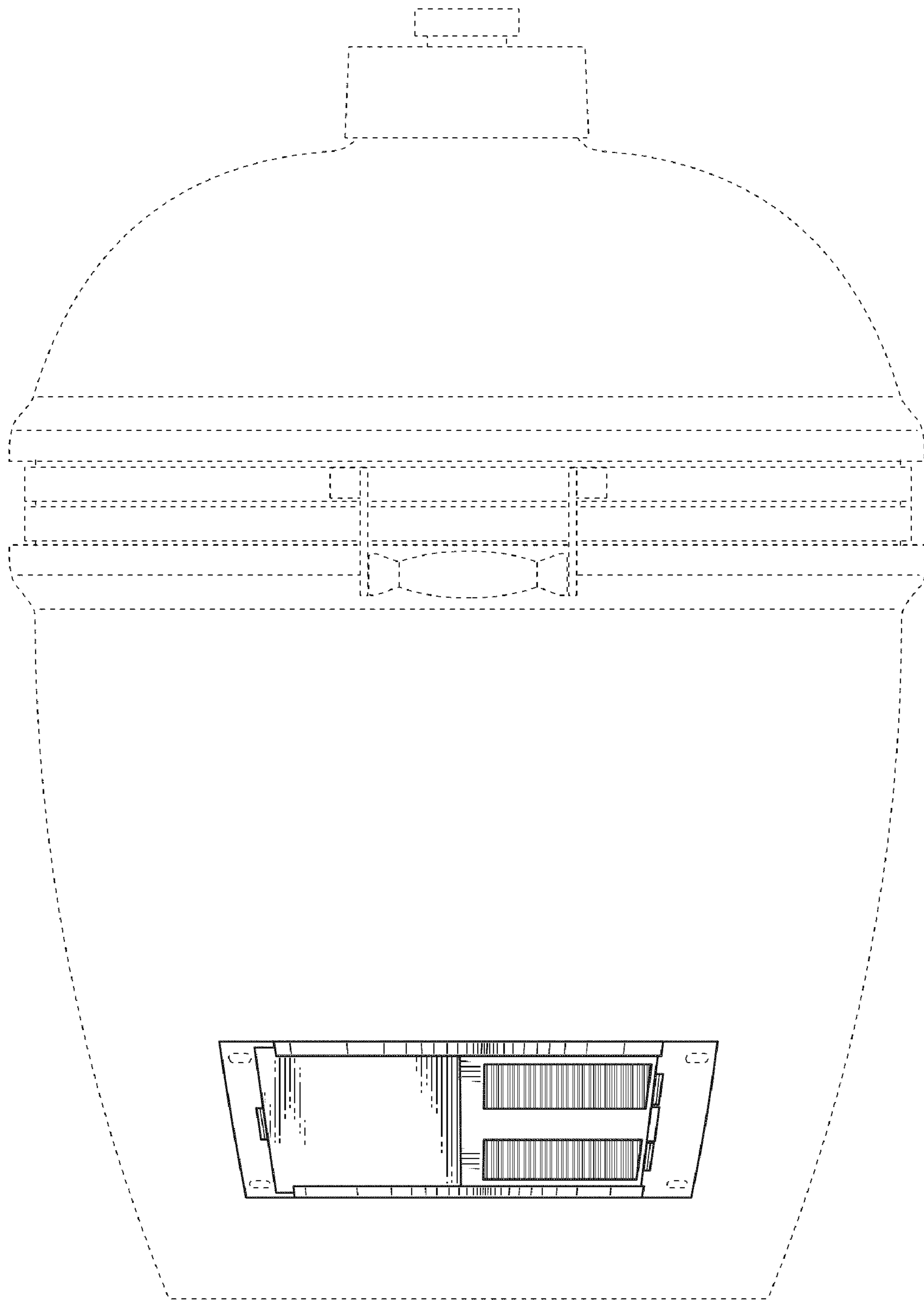
\* cited by examiner



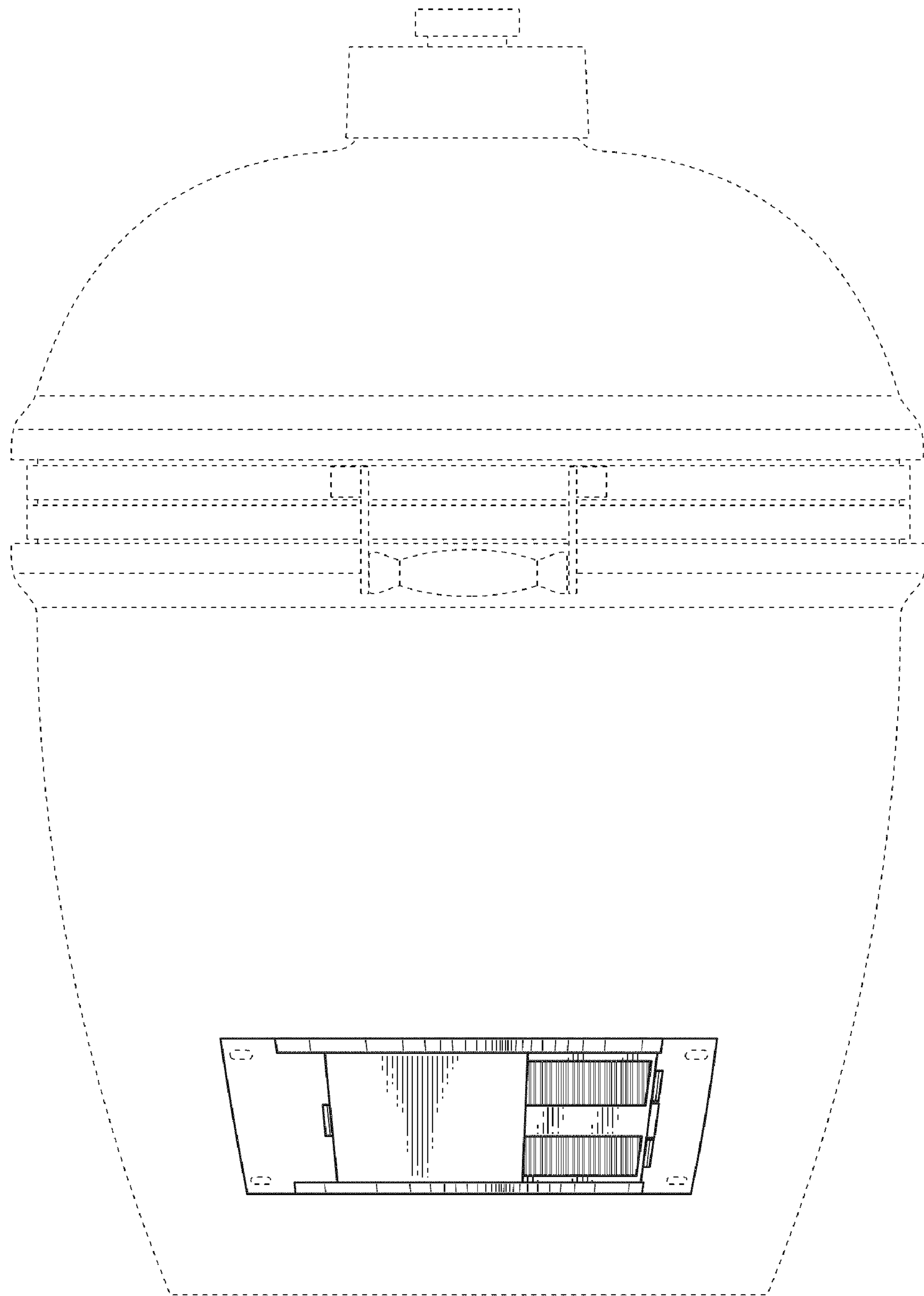
**FIG. 1**



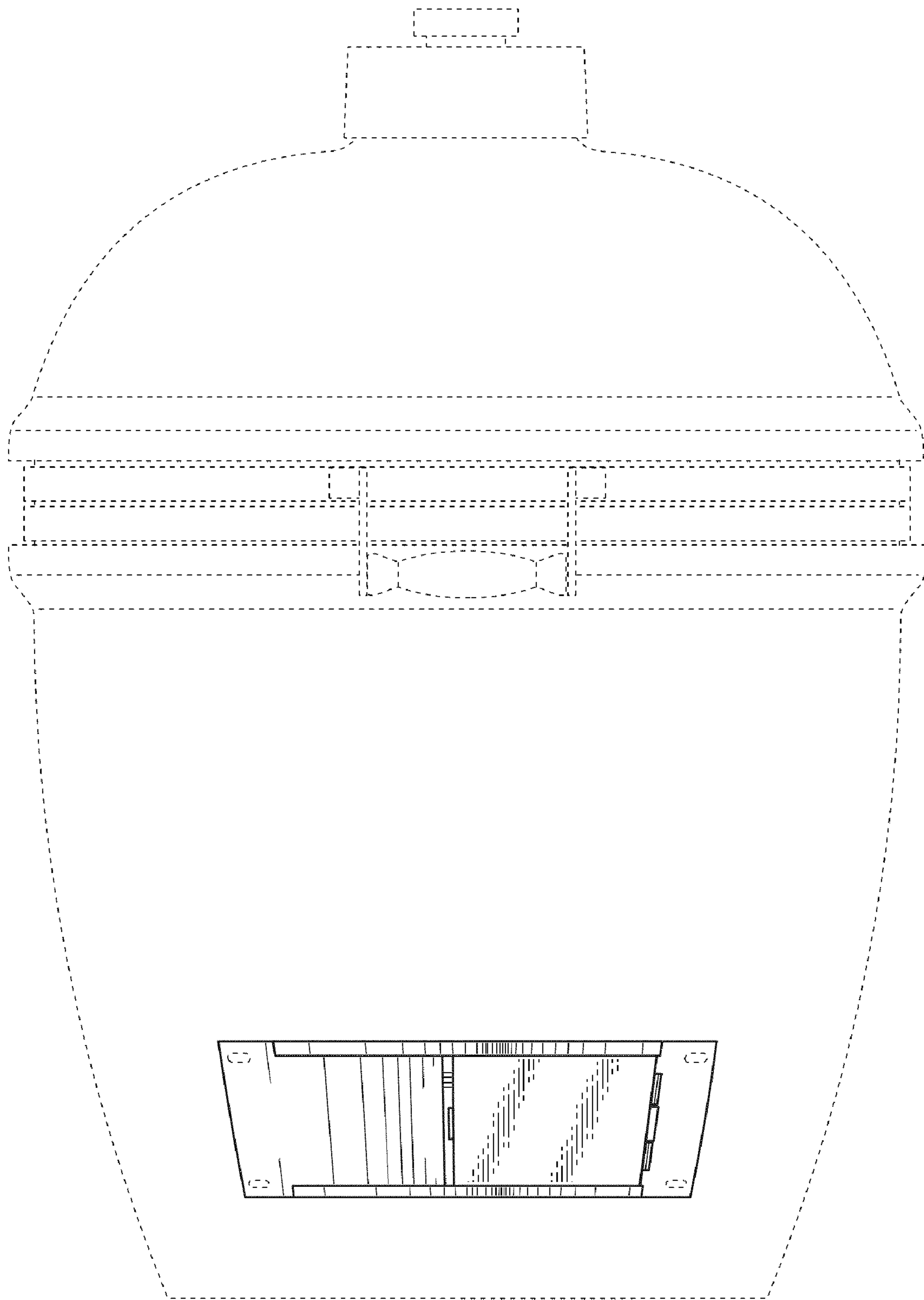
**FIG. 2**



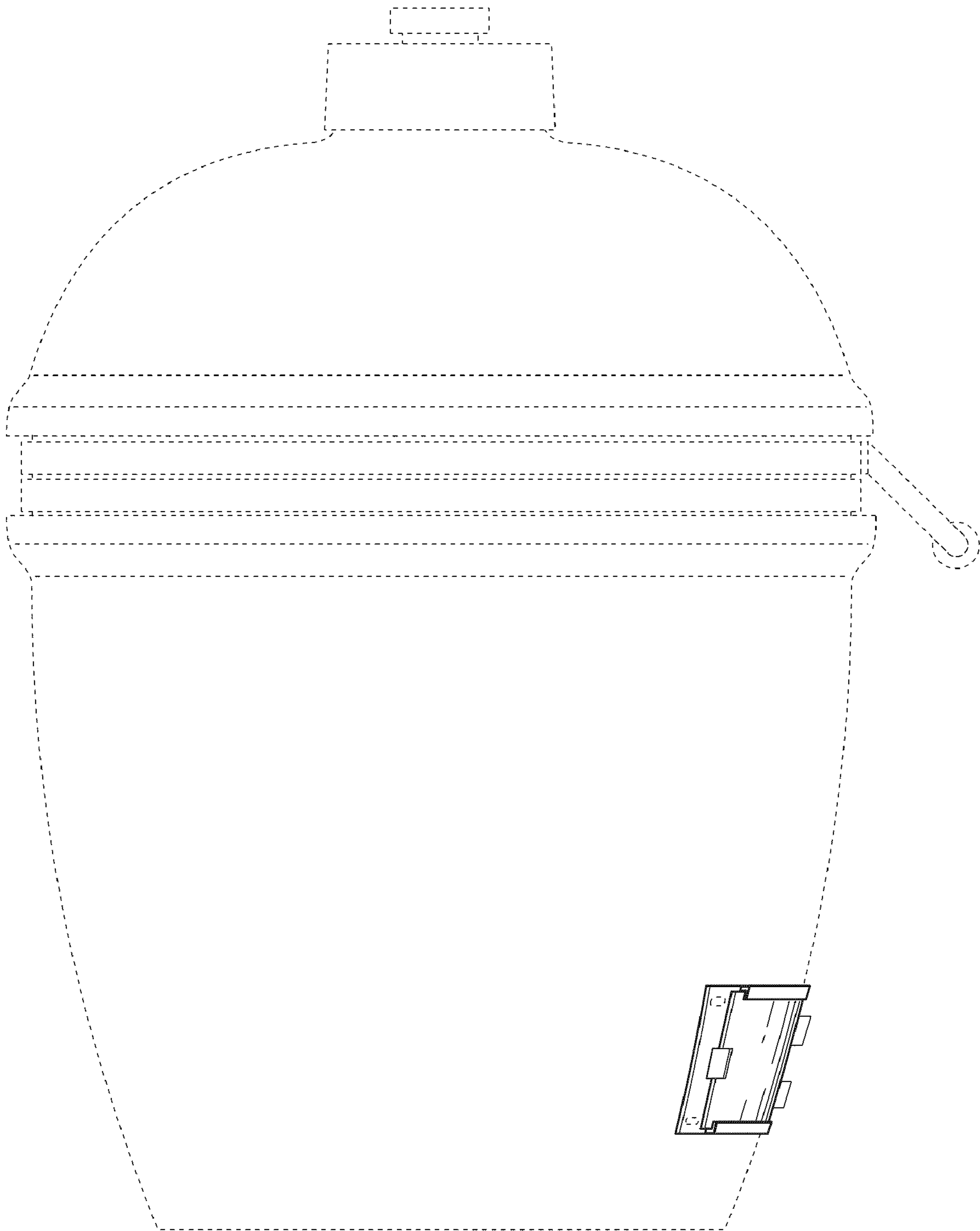
**FIG. 3**



**FIG. 4**

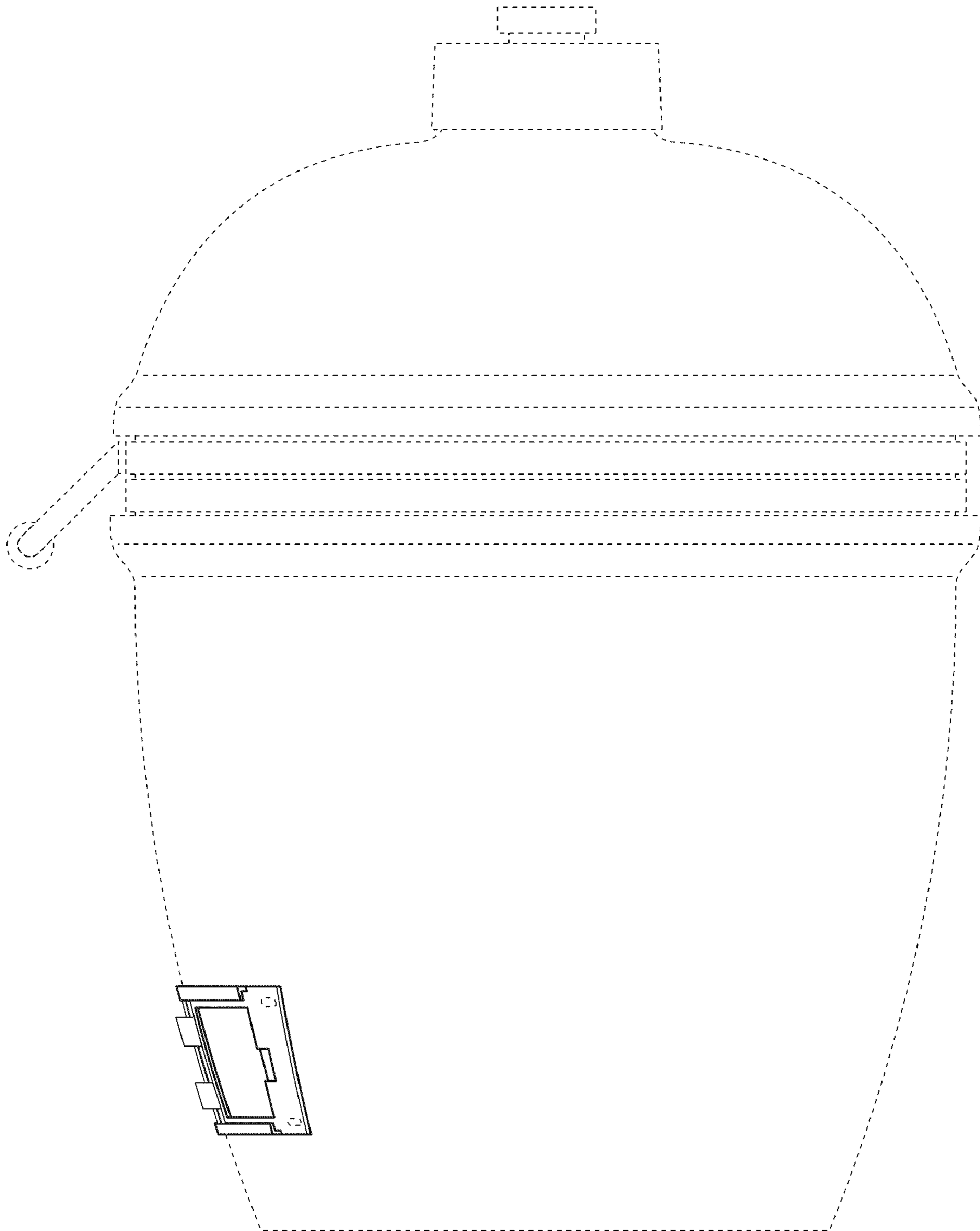


**FIG. 5**

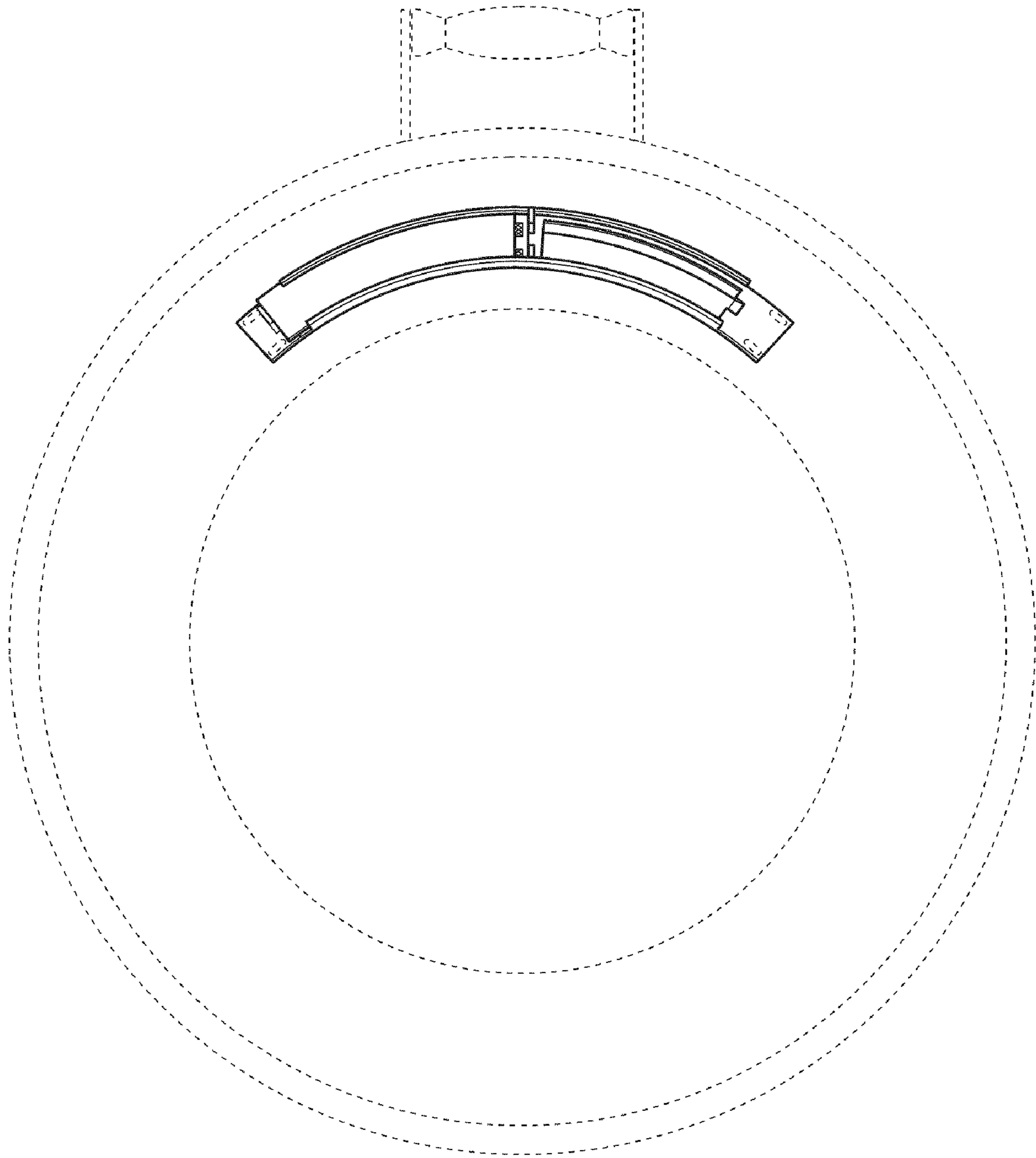


**FIG. 6**





**FIG. 7**



**FIG. 8**