



US00D615809S

(12) **United States Design Patent**
Heiberg et al.

(10) **Patent No.:** **US D615,809 S**

(45) **Date of Patent:** **** May 18, 2010**

(54) **COVER FOR A MIXING BOWL**

(75) Inventors: **Jakob Heiberg**, Charlottenlund (DK);
Jan-Hendrik de Groote, Brussels (BE)

(73) Assignee: **Dart Industries Inc.**, Orlando, FL (US)

(**) Term: **14 Years**

(21) Appl. No.: **29/315,714**

(22) Filed: **Jul. 17, 2009**

(51) **LOC (9) Cl.** **07-02**

(52) **U.S. Cl.** **D7/391; D7/378**

(58) **Field of Classification Search** D7/317-318,
D7/356, 376-386, 391, 392.1, 412-415, 629,
D7/665; D9/454; 99/348, 509-511; 241/30-37.5,
241/101.01-101.2, 166-169.1, 274-278.2,
241/285.1-285.3, 291, 292.1; 366/64-67,
366/98, 142, 192, 197-211, 203-207, 241-254,
366/279-292, 341-347

See application file for complete search history.

(56) **References Cited**

U.S. PATENT DOCUMENTS

D253,935 S	1/1980	Daenen	
D282,616 S *	2/1986	Gallagher et al.	D7/392.1
D357,863 S	5/1995	Picozza	
D395,195 S	6/1998	Heiberg et al.	
D402,159 S	12/1998	Laib	
D404,247 S *	1/1999	Spagnolo	D7/378
D417,817 S *	12/1999	Loew et al.	D7/392.1
D445,650 S *	7/2001	Maxwell et al.	D7/629
D445,687 S *	7/2001	Gilbertson	D9/454
D488,345 S	4/2004	de Groot	et al.
D493,329 S *	7/2004	Feil	D7/378
D499,602 S *	12/2004	Feil	D7/378

D499,606 S *	12/2004	Feil	D7/413
D507,155 S	7/2005	Gosen et al.	
D512,265 S *	12/2005	McCurrach	D7/378
D519,327 S	4/2006	Tucker et al.	
D533,395 S *	12/2006	Drees et al.	D7/378
D537,300 S	2/2007	Kim	
D539,098 S	3/2007	Tucker et al.	
D555,982 S	11/2007	Tucker et al.	
D565,357 S	4/2008	Chan	
D566,483 S	4/2008	Tucker et al.	
D568,096 S *	5/2008	Sun	D7/378
D577,537 S *	9/2008	Lee	D7/386
D577,960 S	10/2008	Ersan	
D597,372 S *	8/2009	Nordwall et al.	D7/378

* cited by examiner

Primary Examiner—Caron Veynar

Assistant Examiner—Ricky Pham

(74) *Attorney, Agent, or Firm*—John A. Doninger

(57) **CLAIM**

We claim the ornamental design for a cover for a mixing bowl, as shown and described.

DESCRIPTION

FIG. 1 is a top, rear and left side perspective of a cover for a mixing bowl showing our new design;

FIG. 2 is a bottom, front and left side perspective thereof;

FIG. 3 is a top plan view thereof;

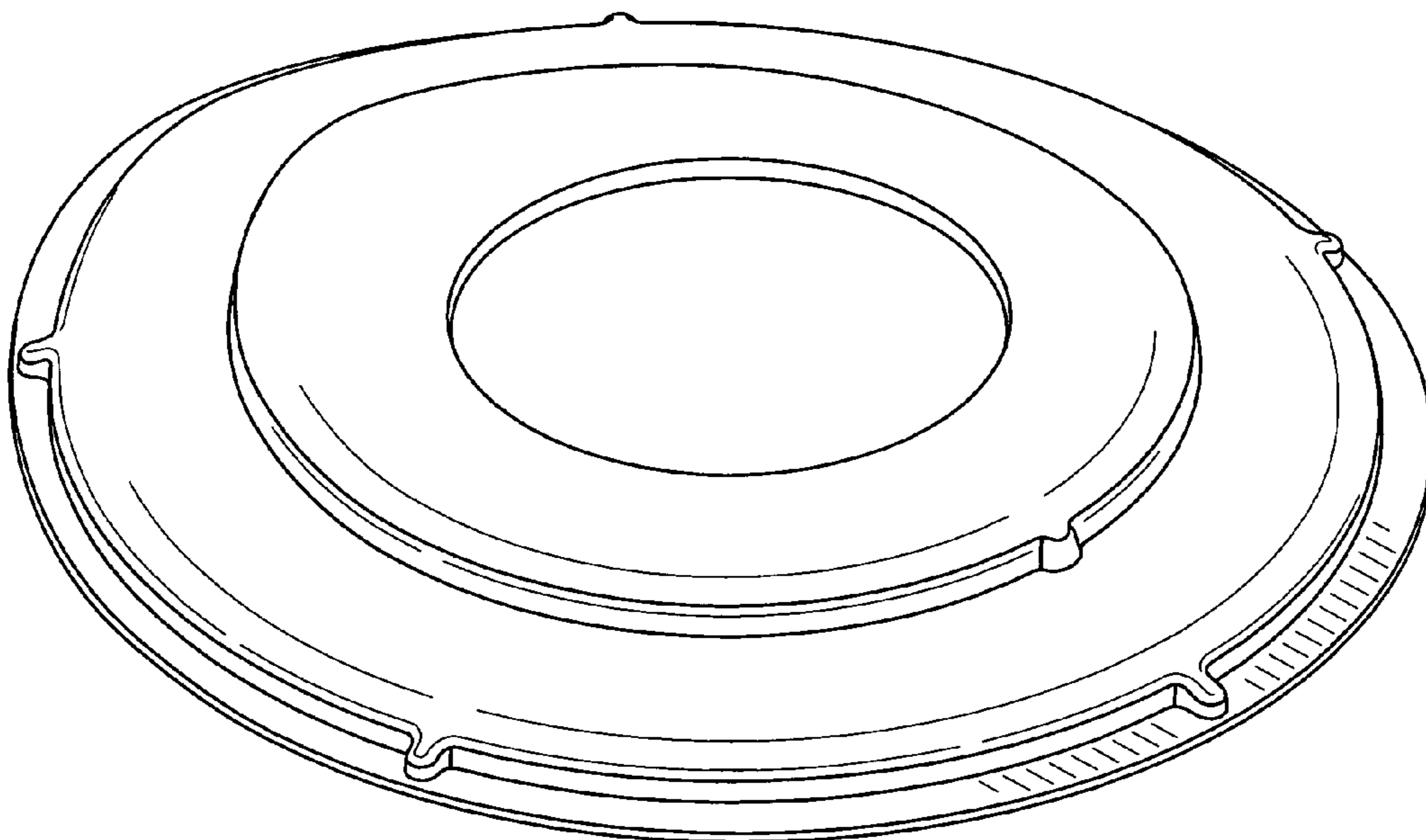
FIG. 4 is a bottom plan view thereof;

FIG. 5 is a front elevation view thereof;

FIG. 6 is a rear elevation view thereof; and,

FIG. 7 is a left side elevation view, the right side being a mirror image thereof.

1 Claim, 4 Drawing Sheets



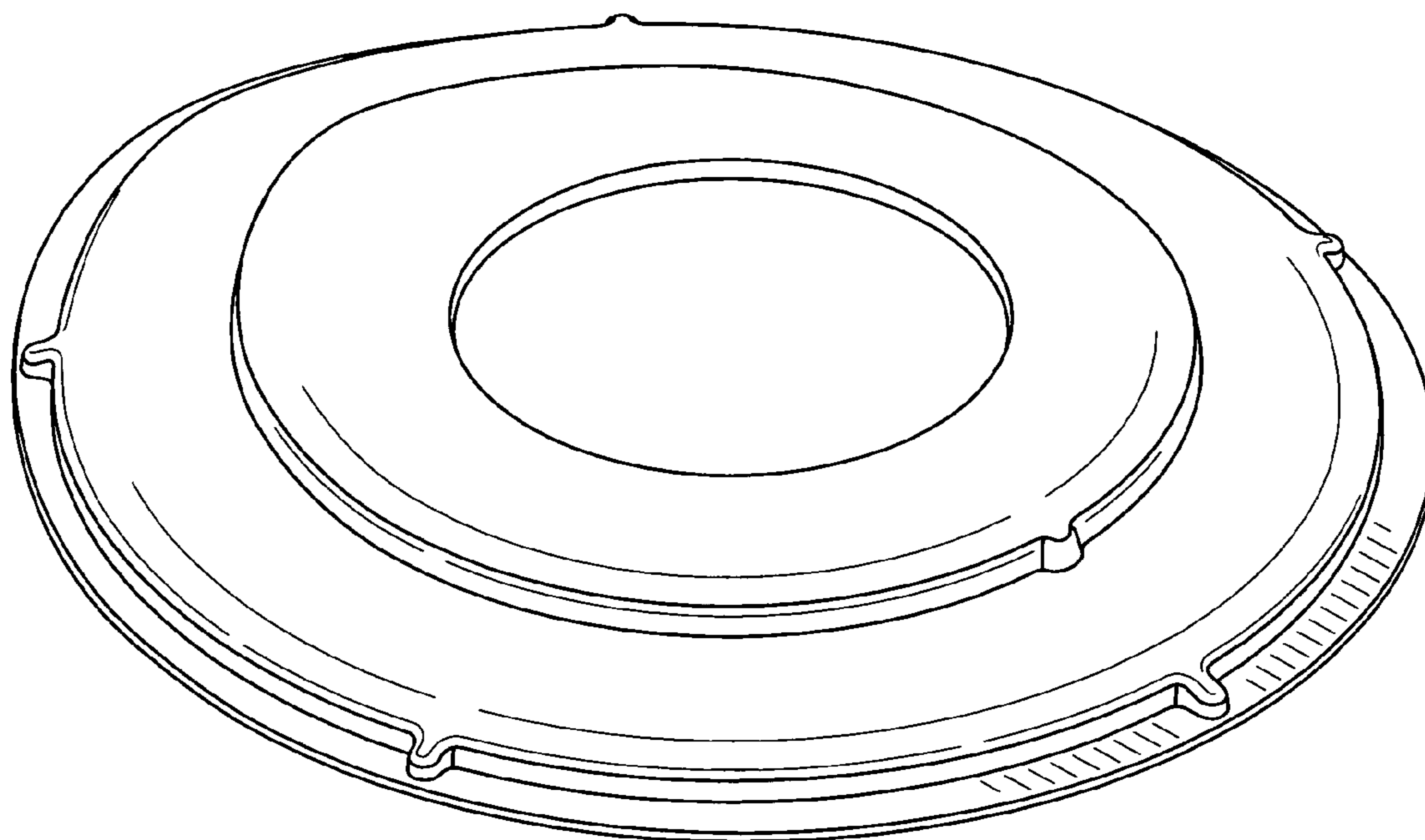


FIG. 1

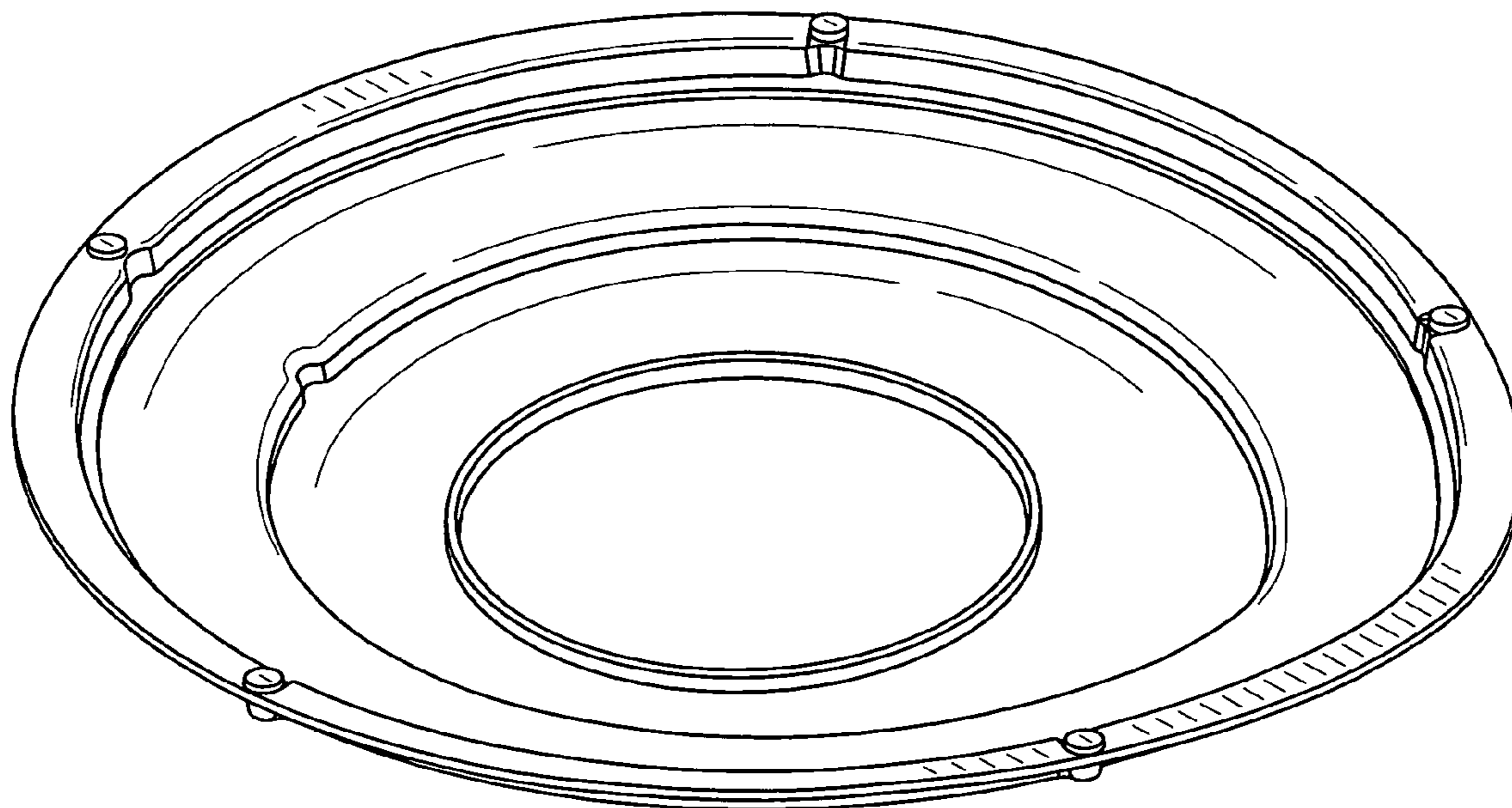


FIG. 2

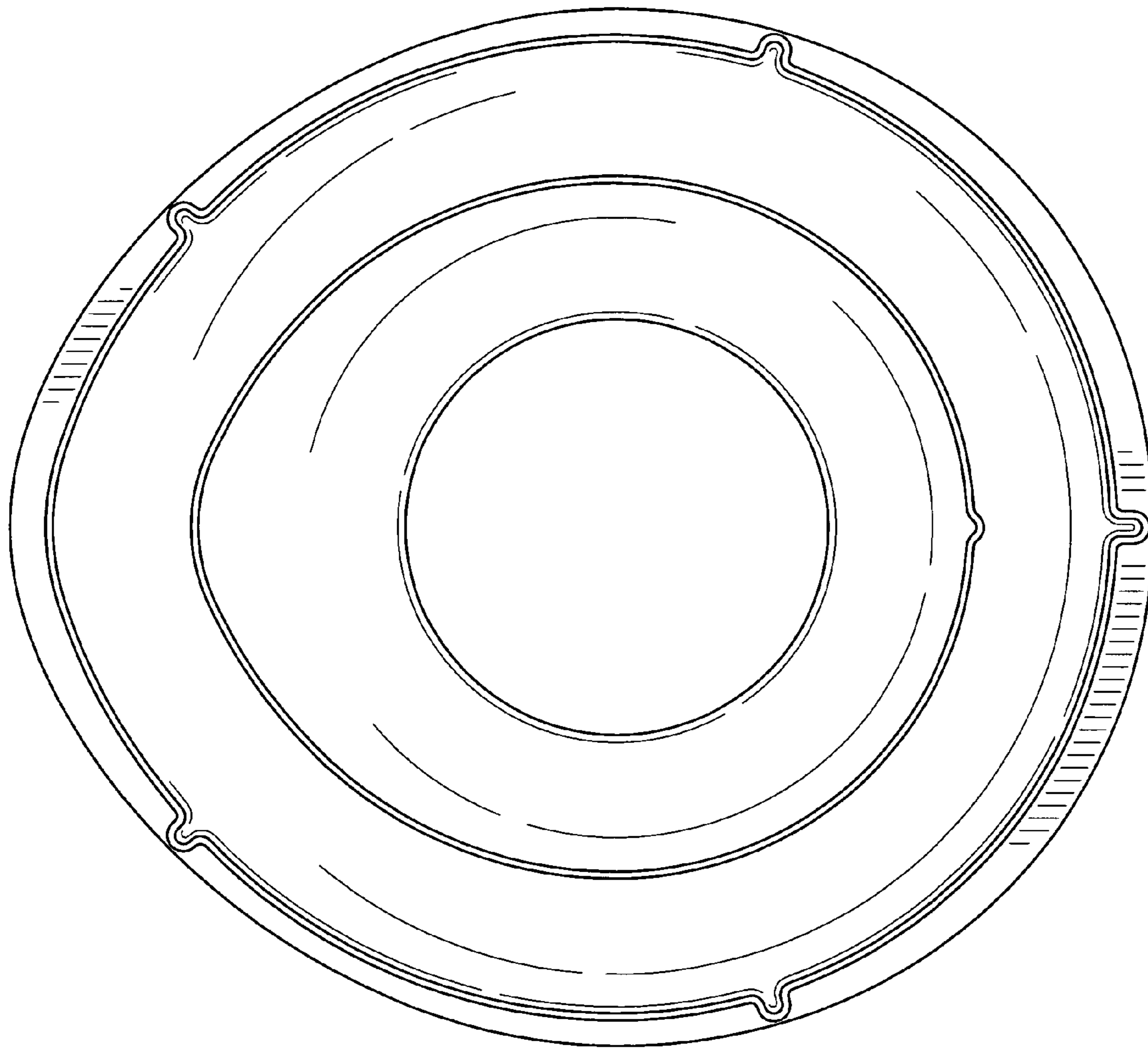


FIG. 3

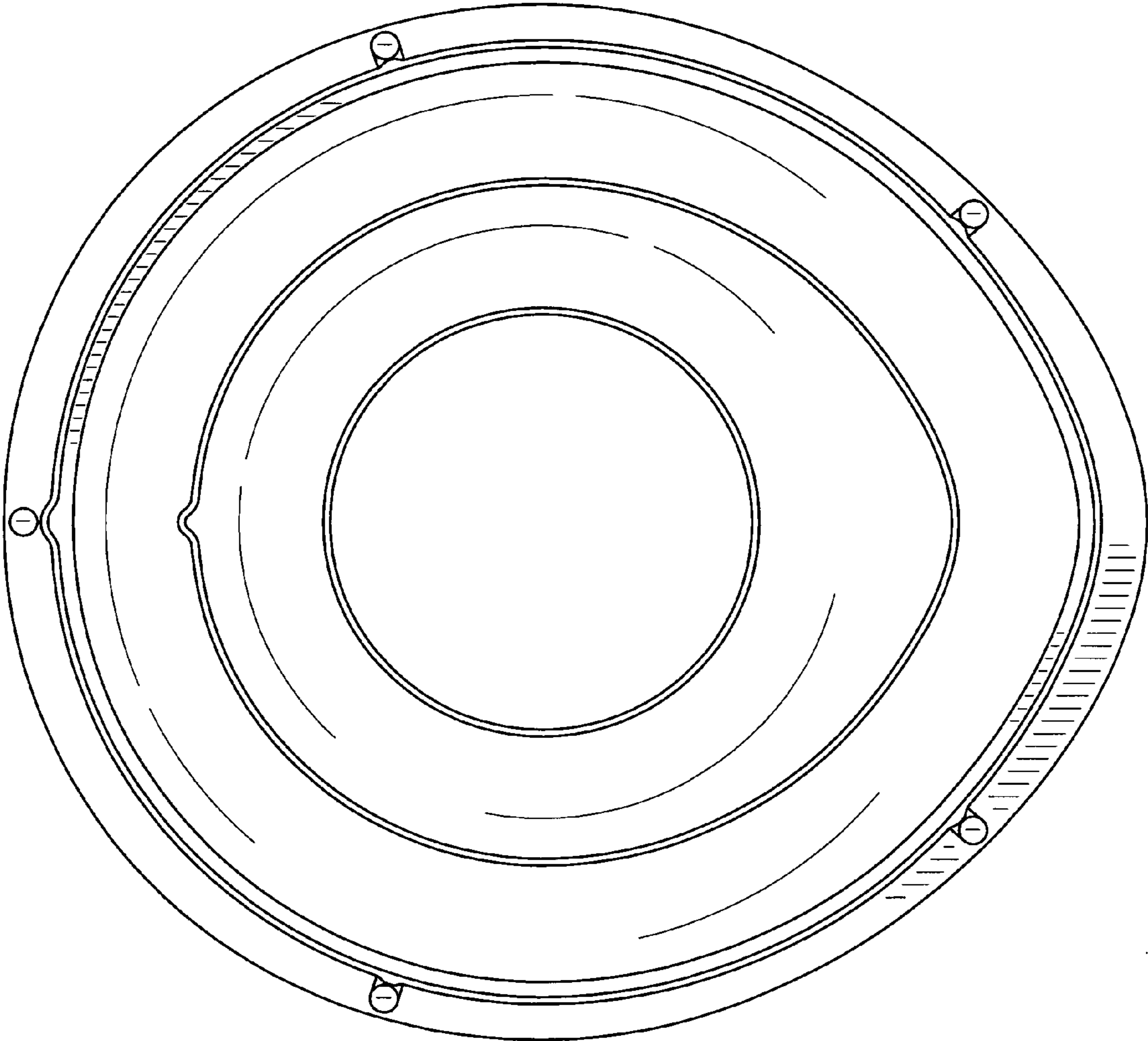


FIG. 4

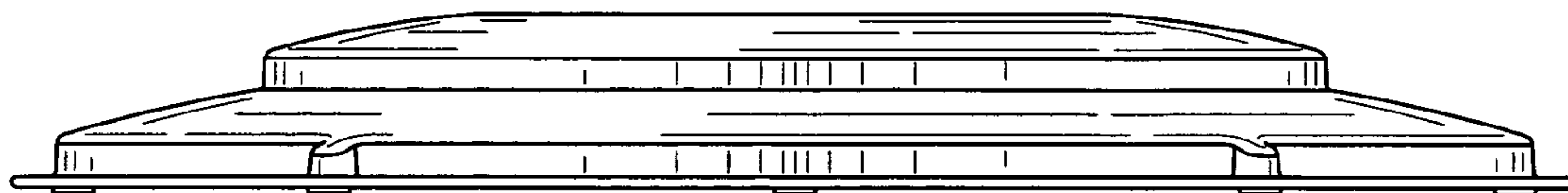


FIG. 5

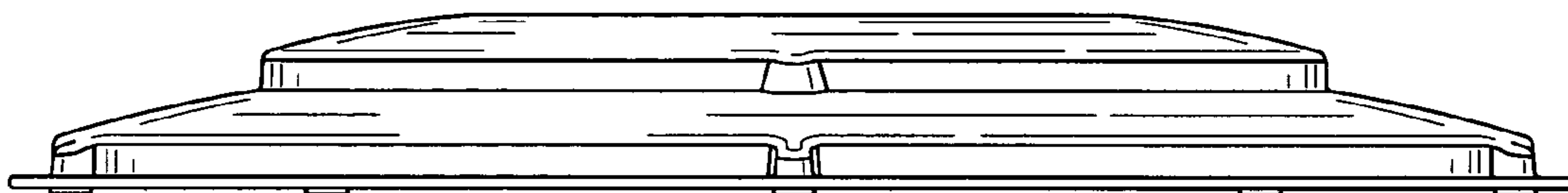


FIG. 6

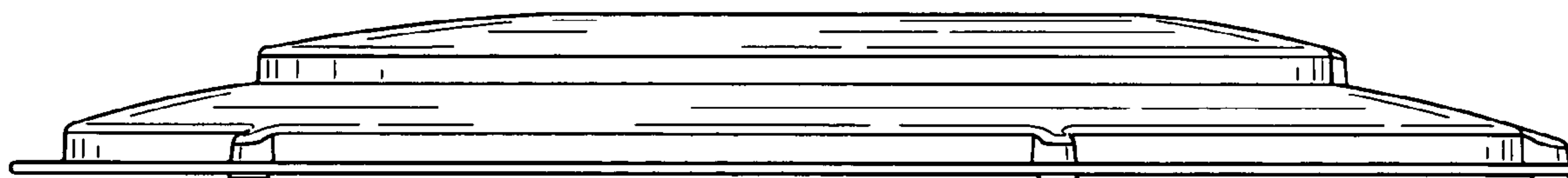


FIG. 7