



US00D615808S

(12) **United States Design Patent**
Kapke et al.

(10) **Patent No.:** **US D615,808 S**
(45) **Date of Patent:** **** May 18, 2010**

(54) **FOWL CLEANING DEVICE**

4,577,368 A * 3/1986 Hazenbroek 452/165

(76) Inventors: **Heath A. Kapke**, 57105 718 Rd.,
Fairbury, NE (US) 68352; **Barry L. Kapke**, 71645 571 Ave., Fairbury, NE
(US) 68352

* cited by examiner

Primary Examiner—Terry A Wallace
(74) *Attorney, Agent, or Firm*—Richard John Bartz

(**) Term: **14 Years**

(57) **CLAIM**

(21) Appl. No.: **29/314,007**

The ornamental design for a fowl cleaning device, as shown and described.

(22) Filed: **Feb. 27, 2009**

DESCRIPTION

(51) **LOC (9) Cl.** **07-99**

FIG. 1 is a perspective view of a fowl cleaning device of our design;

(52) **U.S. Cl.** **D7/368**

FIG. 2 is an enlarged front elevational view thereof;

(58) **Field of Classification Search** D7/368;
452/166–170, 187, 188, 164, 192, 196, 198,
452/185, 149, 125–131

FIG. 3 is an enlarged side elevational view thereof, the opposite side being a mirror image thereof;

See application file for complete search history.

FIG. 4 is an enlarged rear elevational view thereof;

(56) **References Cited**

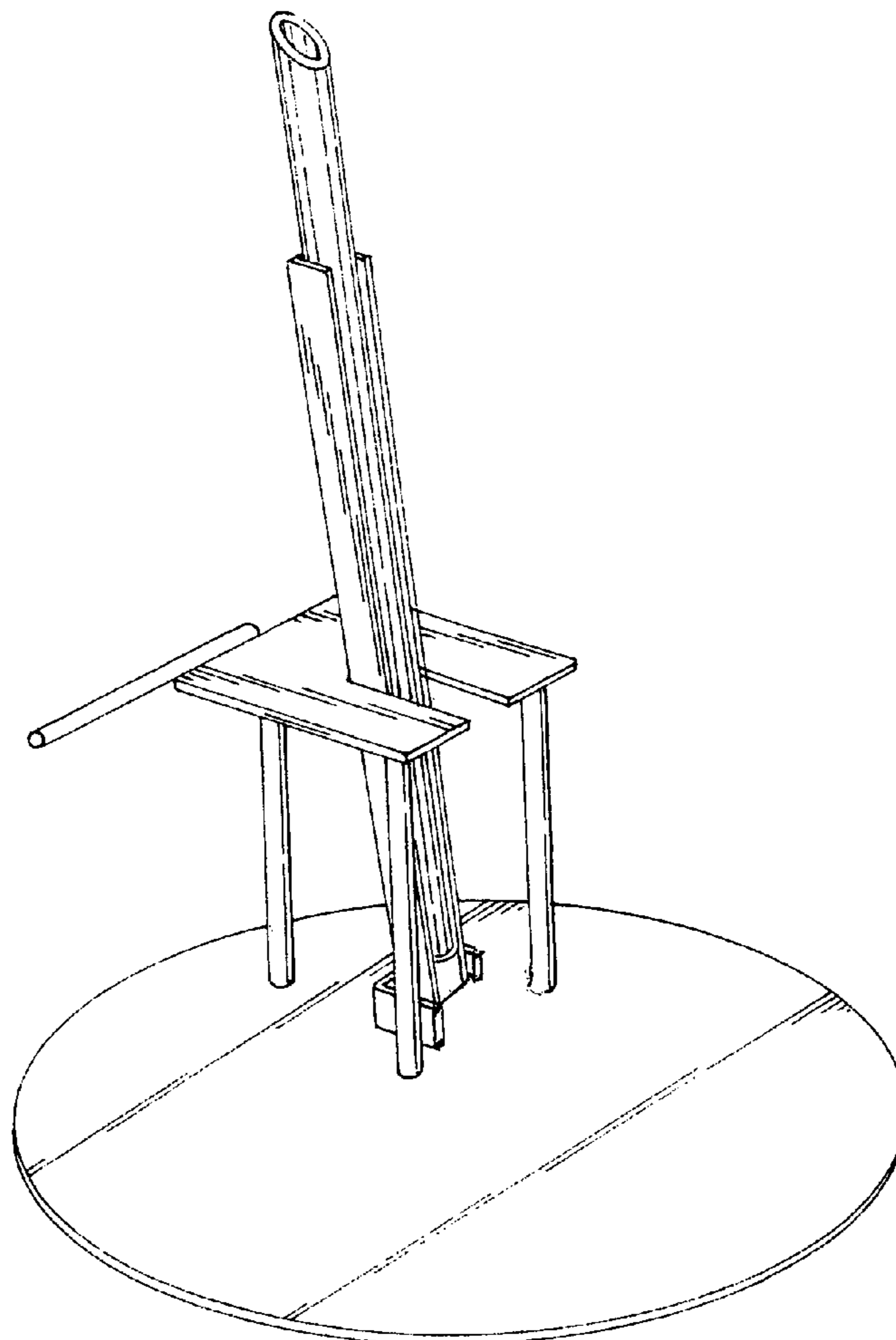
FIG. 5 is an enlarged top plan view thereof; and,

U.S. PATENT DOCUMENTS

FIG. 6 is an enlarged bottom plan view thereof.

2,817,111 A * 12/1957 Conaway 452/188
3,945,083 A * 3/1976 Heightshoe 452/187

1 Claim, 6 Drawing Sheets



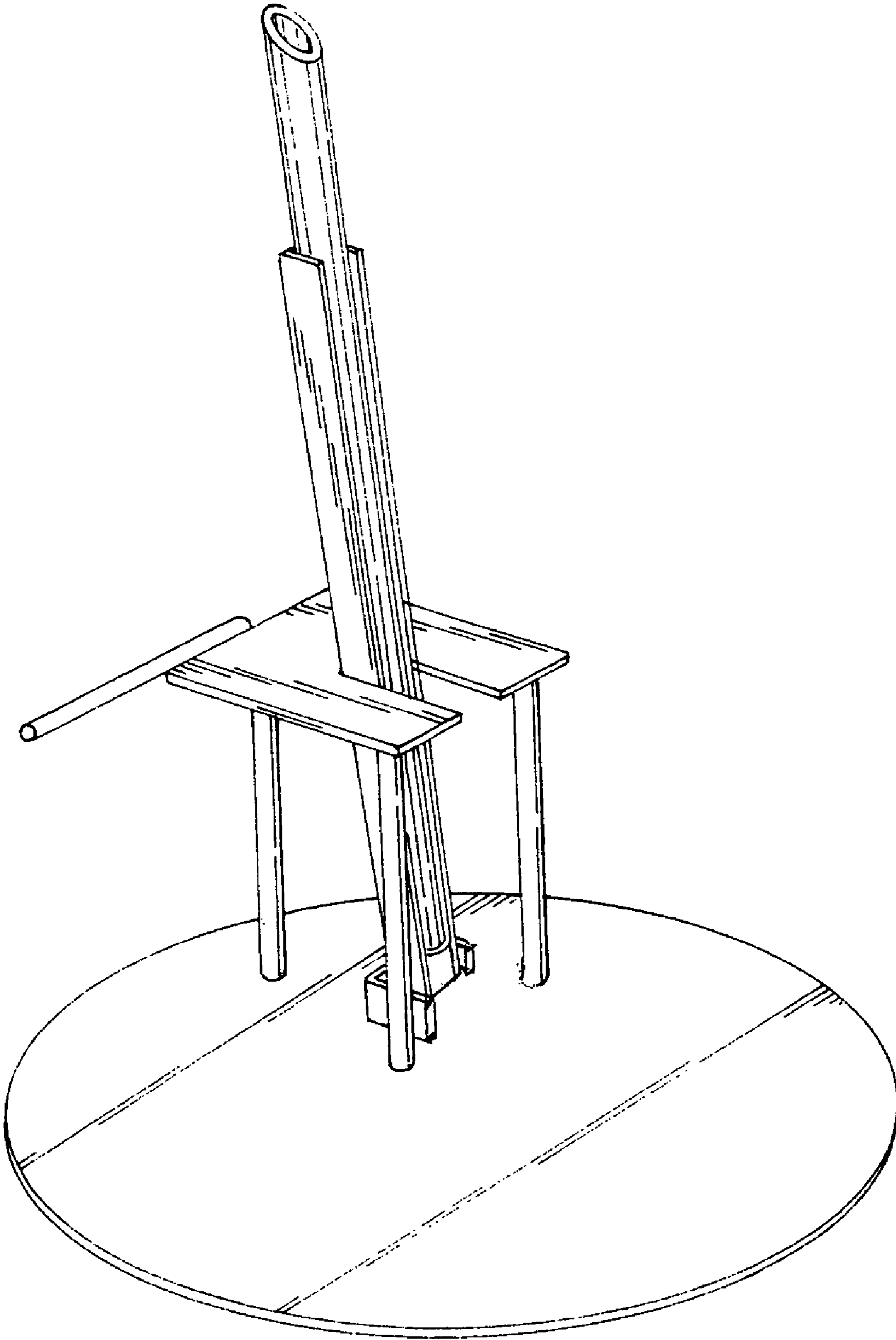


FIG. 1

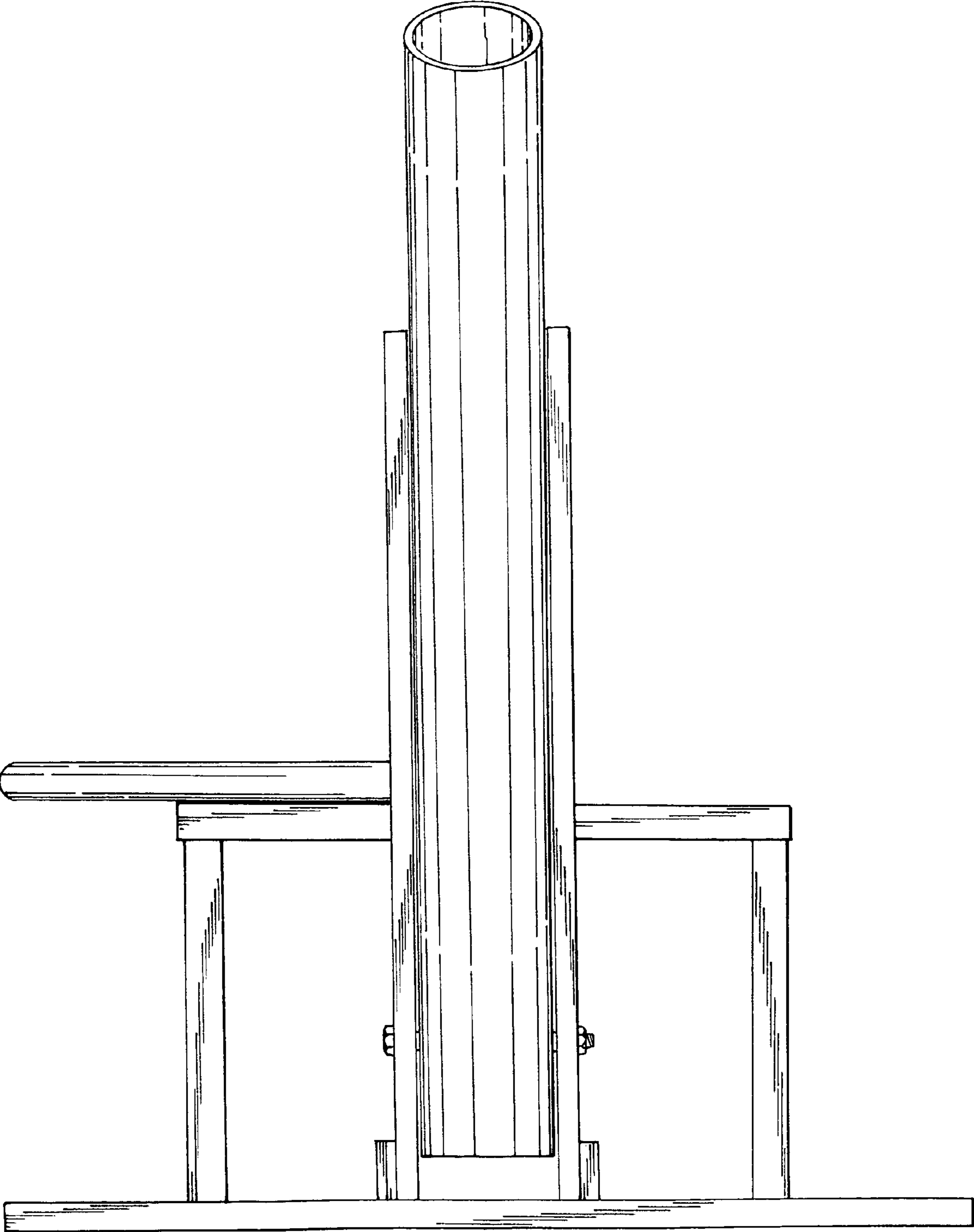


FIG.2

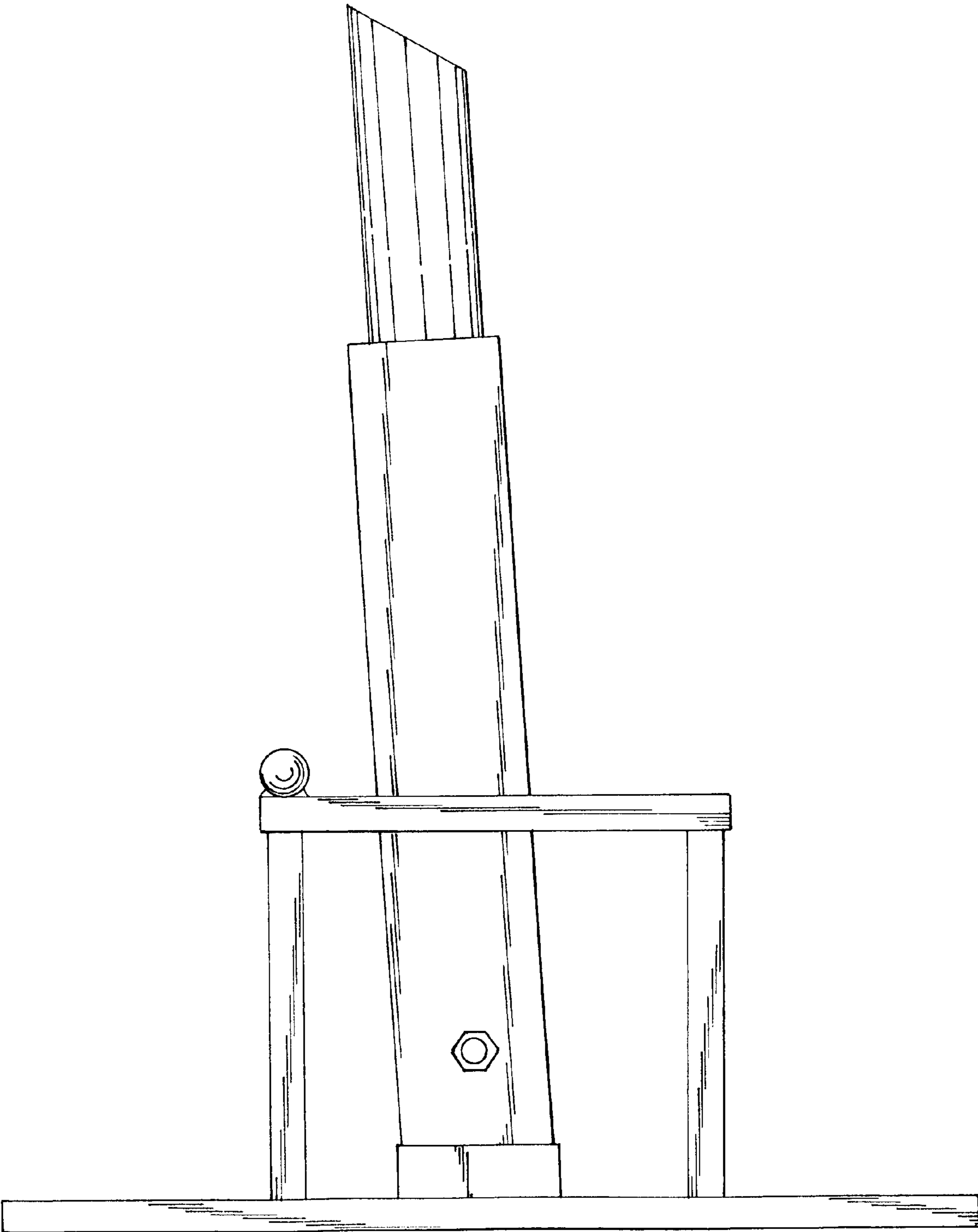


FIG.3

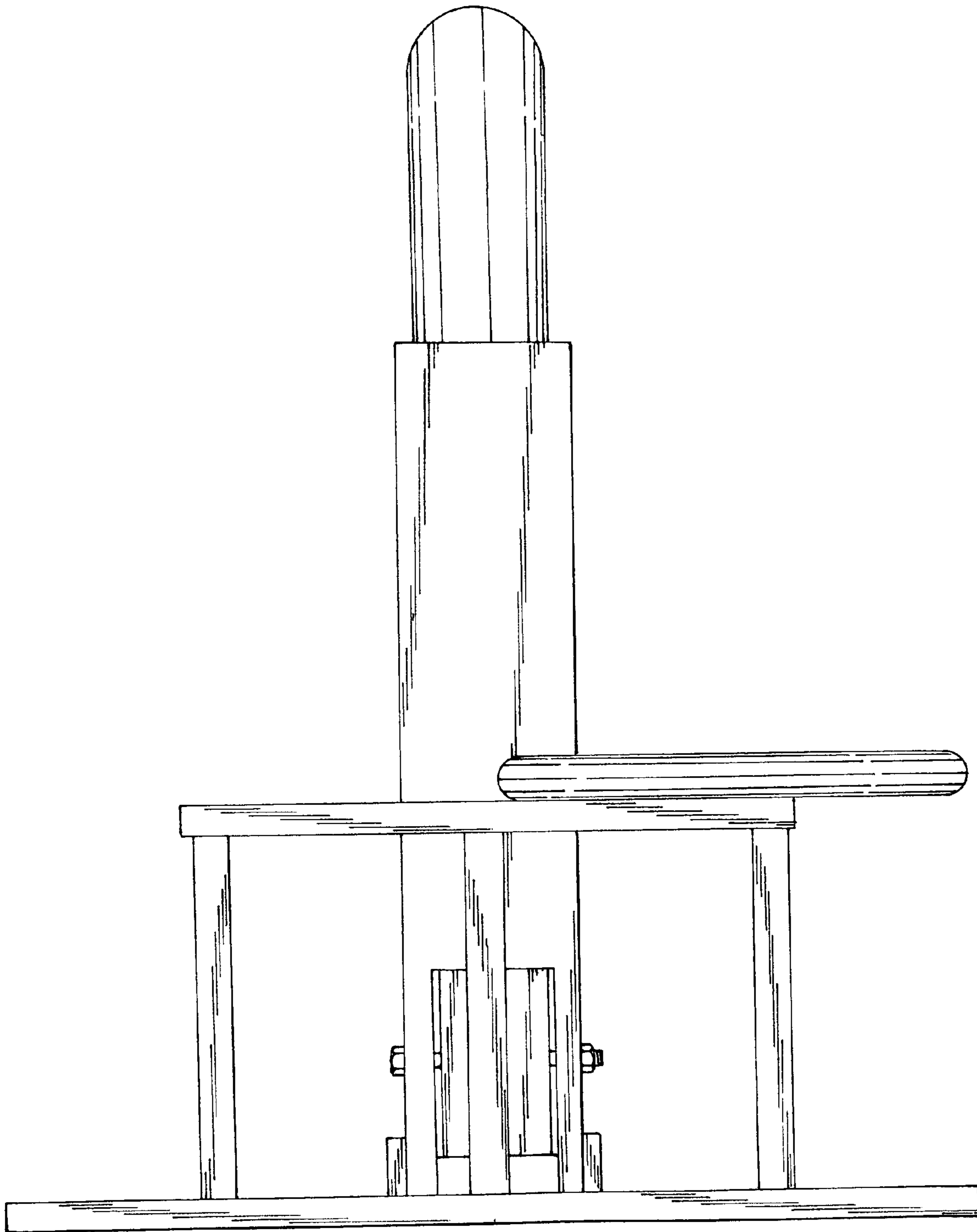


FIG. 4

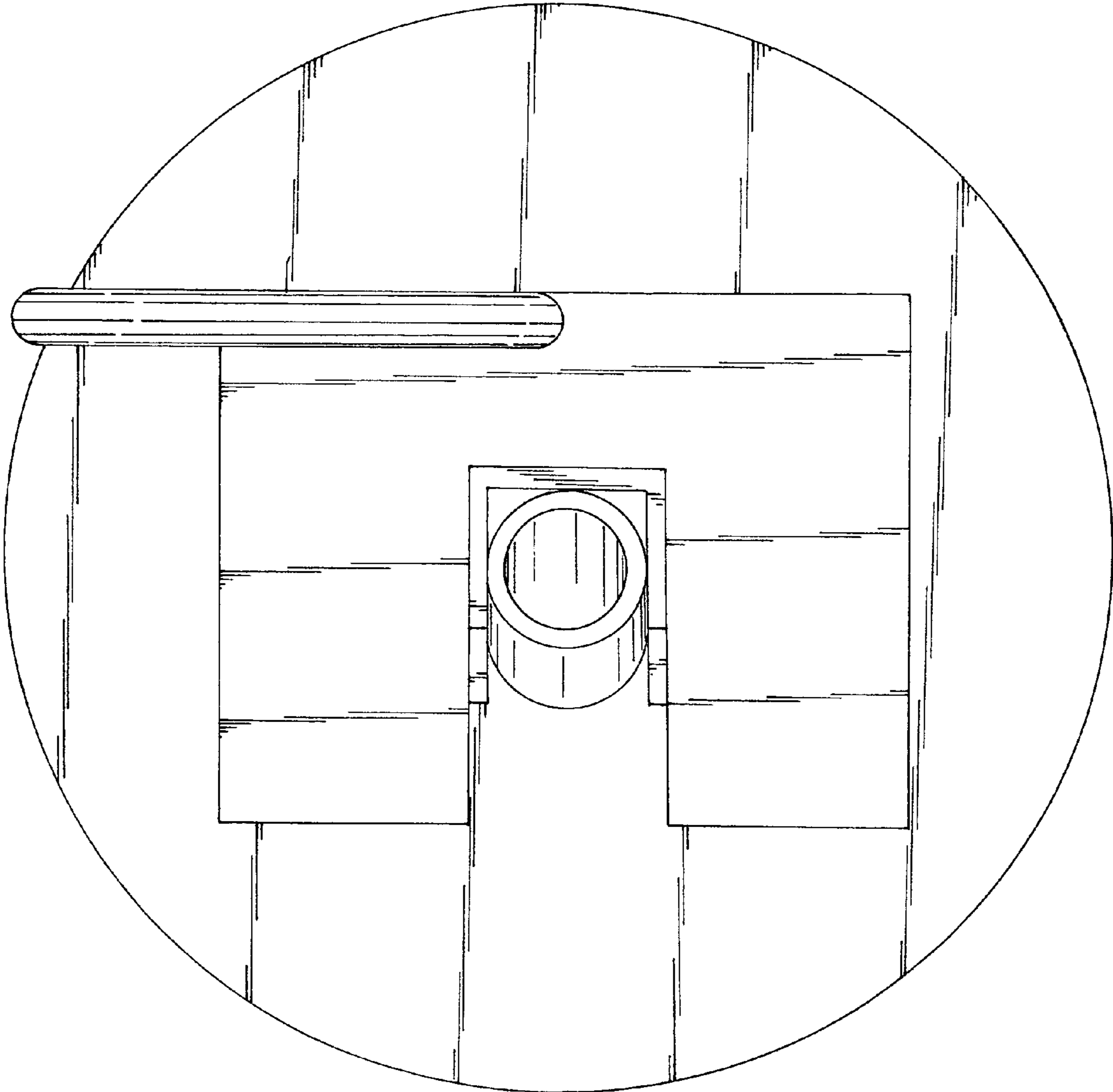


FIG.5

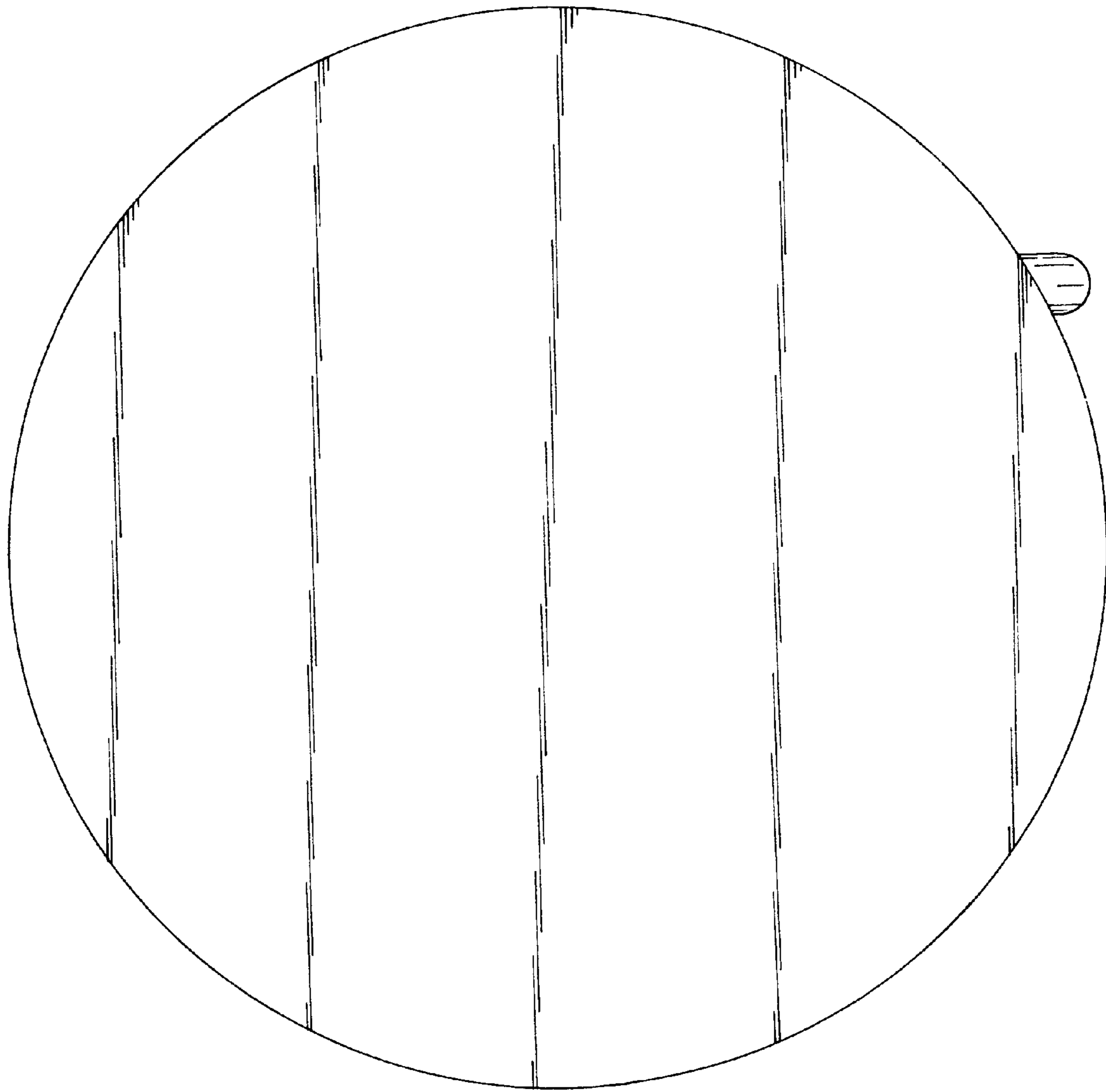


FIG.6