



US00D615807S

(12) **United States Design Patent**
Creel

(10) **Patent No.:** **US D615,807 S**
(45) **Date of Patent:** **** May 18, 2010**

(54) **COOKER WITH A COMBINATION AIRFLOW CONTROL AND SPARK ARRESTOR ASSEMBLY**

(75) Inventor: **John Creel**, Kennesaw, GA (US)
(73) Assignee: **The Big Green Egg, Inc.**, Tucker, GA (US)
(**) Term: **14 Years**
(21) Appl. No.: **29/342,630**
(22) Filed: **Aug. 28, 2009**

Related U.S. Application Data

(63) Continuation of application No. 11/462,381, filed on Aug. 4, 2006.

(51) **LOC (9) Cl.** **07-02**

(52) **U.S. Cl.** **D7/358; D7/354**

(58) **Field of Classification Search** D3/352, D3/332-337, 402-405; D7/323, 330-339, D7/347, 350-367, 378-379, 383-384, 391, D7/409, 542-545, 665, 667; D28/16; 34/92; 99/324-325, 329 R, 330-341, 403, 407, 412-413, 99/428, 430, 450; 126/25 A, 25 AA, 25 R, 126/29-30; 219/432-433, 438-441, 620-622, 219/725-730; 220/203.1, 203.7, 303, 525, 220/573.1-574, 769, 912; 426/438, 441, 426/523

See application file for complete search history.

(56) **References Cited**

U.S. PATENT DOCUMENTS

1,537,216 A 5/1925 Bagby

(Continued)

Primary Examiner—Caron Veynar

Assistant Examiner—Ricky Pham

(74) *Attorney, Agent, or Firm*—Adorno & Yoss, LLC; R. Stevan Coursey

(57) **CLAIM**

The ornamental design for a cooker with a combination airflow control and spark arrestor assembly, as shown and described.

DESCRIPTION

FIG. 1 is a front perspective view of my cooker with a combination airflow control and spark arrestor assembly in accordance with my design;

FIG. 2 is a front elevational view of the cooker with a cover plate and spark arrestor of the combination airflow control and spark arrestor assembly both in fully retracted positions according to my design;

FIG. 3 is a front elevational view of the cooker with the cover plate of the combination airflow control and spark arrestor assembly in a fully retracted position and the spark arrestor of the combination airflow control and spark arrestor assembly in a non-retracted position according to my design;

FIG. 4 is a front elevational view of the cooker with the cover plate of the combination airflow control and spark arrestor assembly in a partially retracted position and the spark arrestor of the combination airflow control and spark arrestor assembly in a non-retracted position according to my design;

FIG. 5 is a front elevational view of the cooker with the cover plate and the spark arrestor of the combination airflow control and spark arrestor assembly both in non-retracted positions according to my design;

FIG. 6 is a left side elevational view of the cooker with the combination airflow control and spark arrestor assembly according to my design;

FIG. 7 is a right side elevational view of the cooker with the combination airflow control and spark arrestor assembly according to my design;

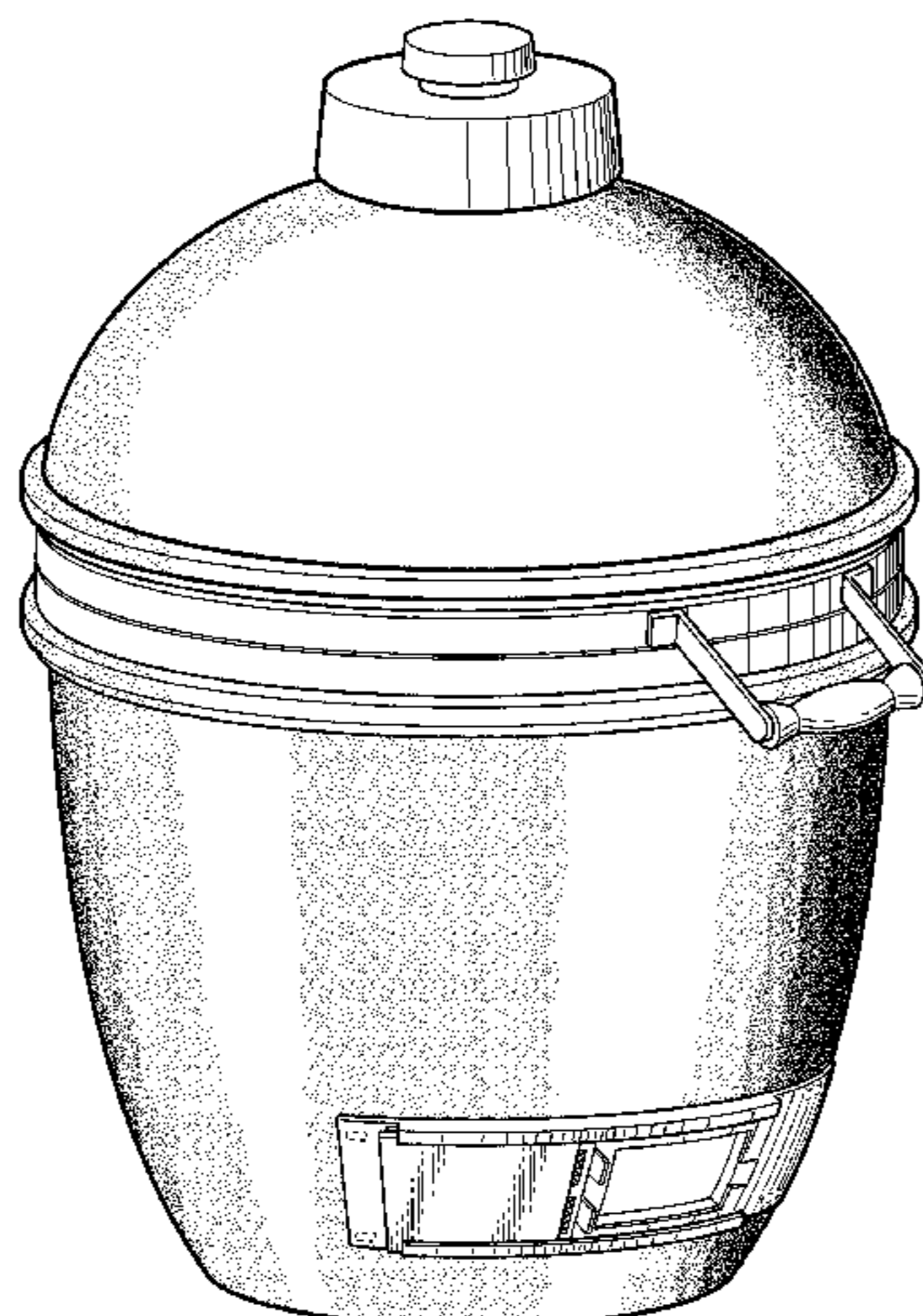
FIG. 8 is a back elevational view of the cooker with the combination airflow control and spark arrestor assembly according to my design;

FIG. 9 is a top plan view of the cooker with the combination airflow control and spark arrestor assembly according to my design; and,

FIG. 10 is a bottom plan view of the cooker with the combination airflow control and spark arrestor assembly according to my design.

The broken lines shown herein are for illustrative purposes only and form no part of the claimed design.

1 Claim, 10 Drawing Sheets



US D615,807 S

U.S. PATENT DOCUMENTS

| | | | | | | | |
|---------------|---------|----------------------|--------|-----------------|---------|--------------------|--------|
| 1,641,022 A | 8/1927 | Calhoun | | 4,123,001 A | 10/1978 | Kolt | |
| 1,740,486 A | 12/1929 | Wheelock | | 4,183,348 A | 1/1980 | Smith | |
| 2,722,883 A | 11/1955 | Rignell | | 4,216,760 A | 8/1980 | Wiggins | |
| 2,742,709 A * | 4/1956 | De Woody et al. | 34/92 | 4,231,288 A | 11/1980 | Finley | |
| 2,776,707 A | 1/1957 | Clayton | | 4,245,614 A | 1/1981 | Hurwitz et al. | |
| 2,786,463 A | 3/1957 | Vincent | | 4,374,534 A | 2/1983 | Jespers et al. | |
| 2,820,513 A | 1/1958 | Drakoff | | 4,489,706 A | 12/1984 | Hait | |
| 2,894,447 A | 7/1959 | Persinger | | 4,508,094 A | 4/1985 | Hait | |
| 3,027,887 A | 4/1962 | Krohricke | | 4,587,947 A | 5/1986 | Tomita | |
| 3,118,749 A | 1/1964 | Acacia | | 4,760,773 A | 8/1988 | Pezzulli | |
| D201,416 S * | 6/1965 | Sazegar | D7/337 | D318,327 S | 7/1991 | Sorensen | |
| D201,937 S * | 8/1965 | Johnson | D7/337 | 5,251,607 A | 10/1993 | Traeger et al. | |
| 3,209,743 A | 10/1965 | Stewart | | 5,598,834 A | 2/1997 | Grady | |
| 3,220,400 A | 11/1965 | Yager | | D382,767 S * | 8/1997 | Lien | D7/360 |
| D207,982 S * | 6/1967 | Petertil | D28/16 | 5,740,849 A | 4/1998 | Tashman | |
| 3,368,544 A | 2/1968 | Duncan | | 5,836,298 A | 11/1998 | Grady | |
| 3,391,682 A | 7/1968 | King et al. | | 5,960,788 A | 10/1999 | Bach et al. | |
| 3,494,349 A | 2/1970 | Allen | | D420,243 S * | 2/2000 | Samaras | D7/332 |
| 3,499,432 A | 3/1970 | Hannebaum | | D444,663 S * | 7/2001 | Samaras | D7/337 |
| D219,693 S * | 1/1971 | Hahn | D7/337 | D463,196 S * | 9/2002 | Hsu | D7/332 |
| 3,777,735 A | 12/1973 | Miller | | D568,092 S * | 5/2008 | Boes et al. | D7/354 |
| 3,830,146 A | 8/1974 | Kaiser | | D583,185 S * | 12/2008 | Rutter et al. | D7/334 |
| 3,841,299 A | 10/1974 | Tomita | | D585,236 S * | 1/2009 | McGinn | D7/360 |
| 3,851,639 A | 12/1974 | Beddoe | | D592,442 S * | 5/2009 | Rutter et al. | D7/334 |
| 3,880,139 A | 4/1975 | Young | | 2004/0079357 A1 | 4/2004 | Klemming | |
| 3,915,144 A | 10/1975 | Tomita | | 2007/0047166 A1 | 3/2007 | Creel | |
| 3,915,145 A | 10/1975 | Tomita | | | | | |

* cited by examiner

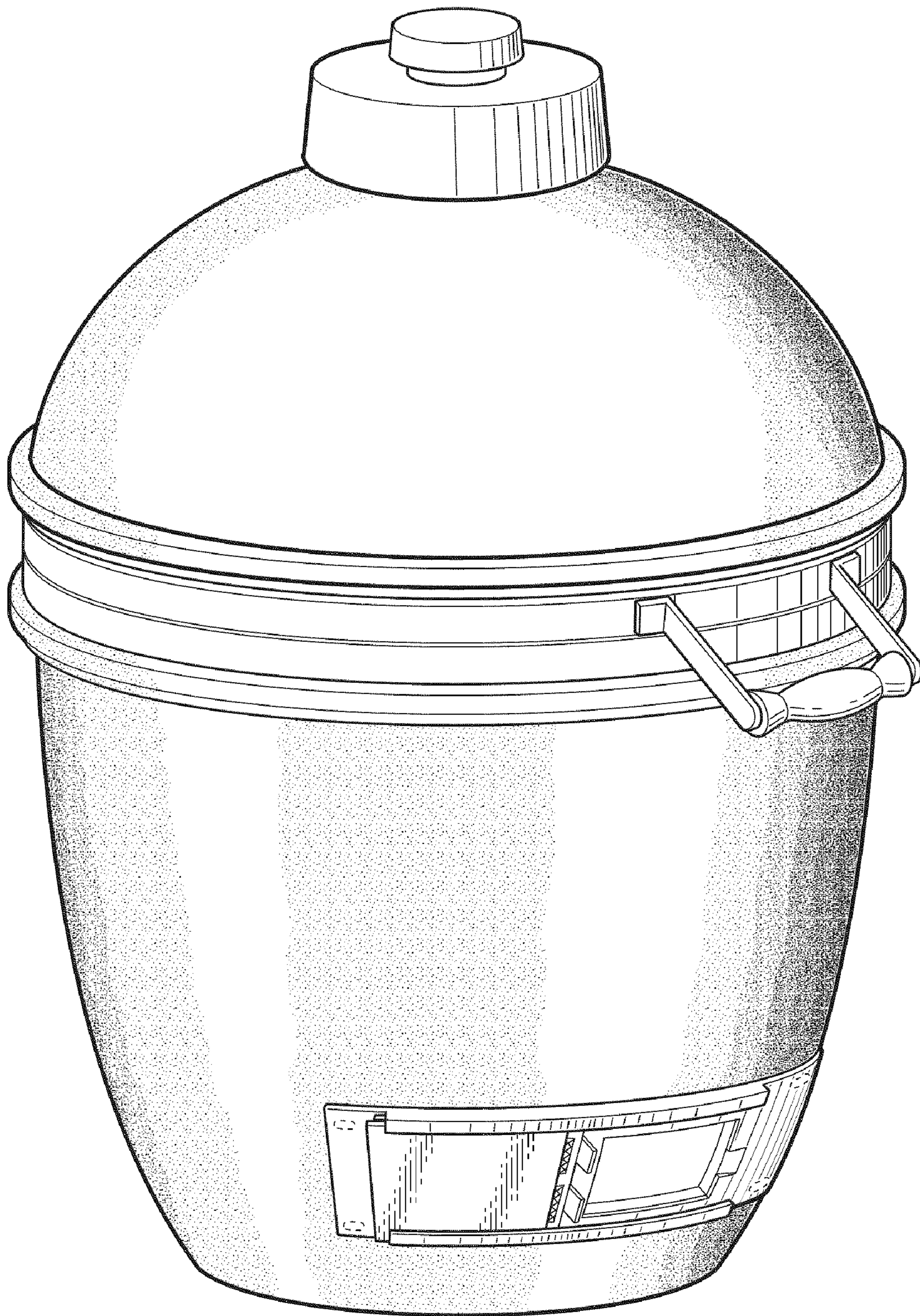


FIG. 1

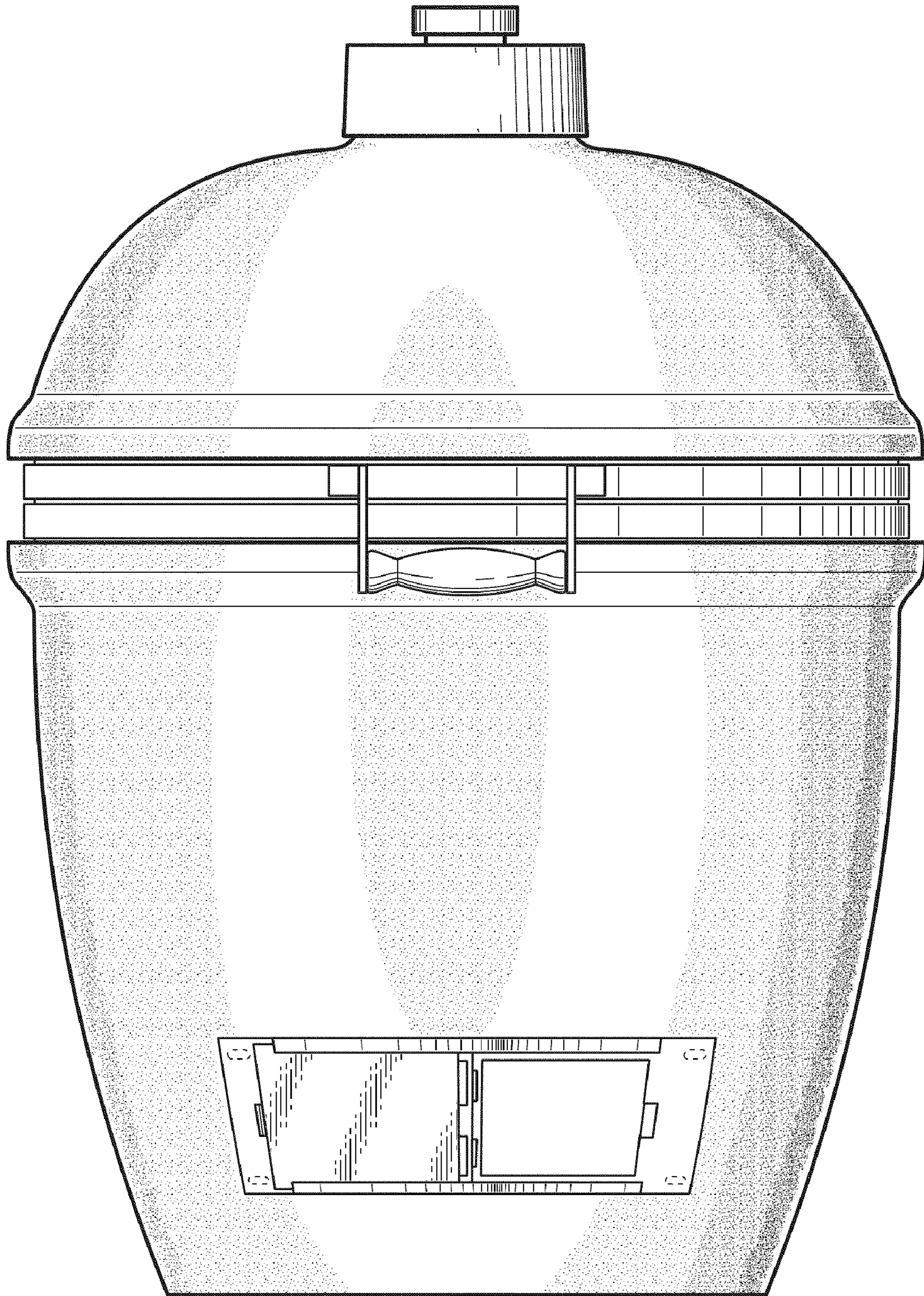


FIG. 2

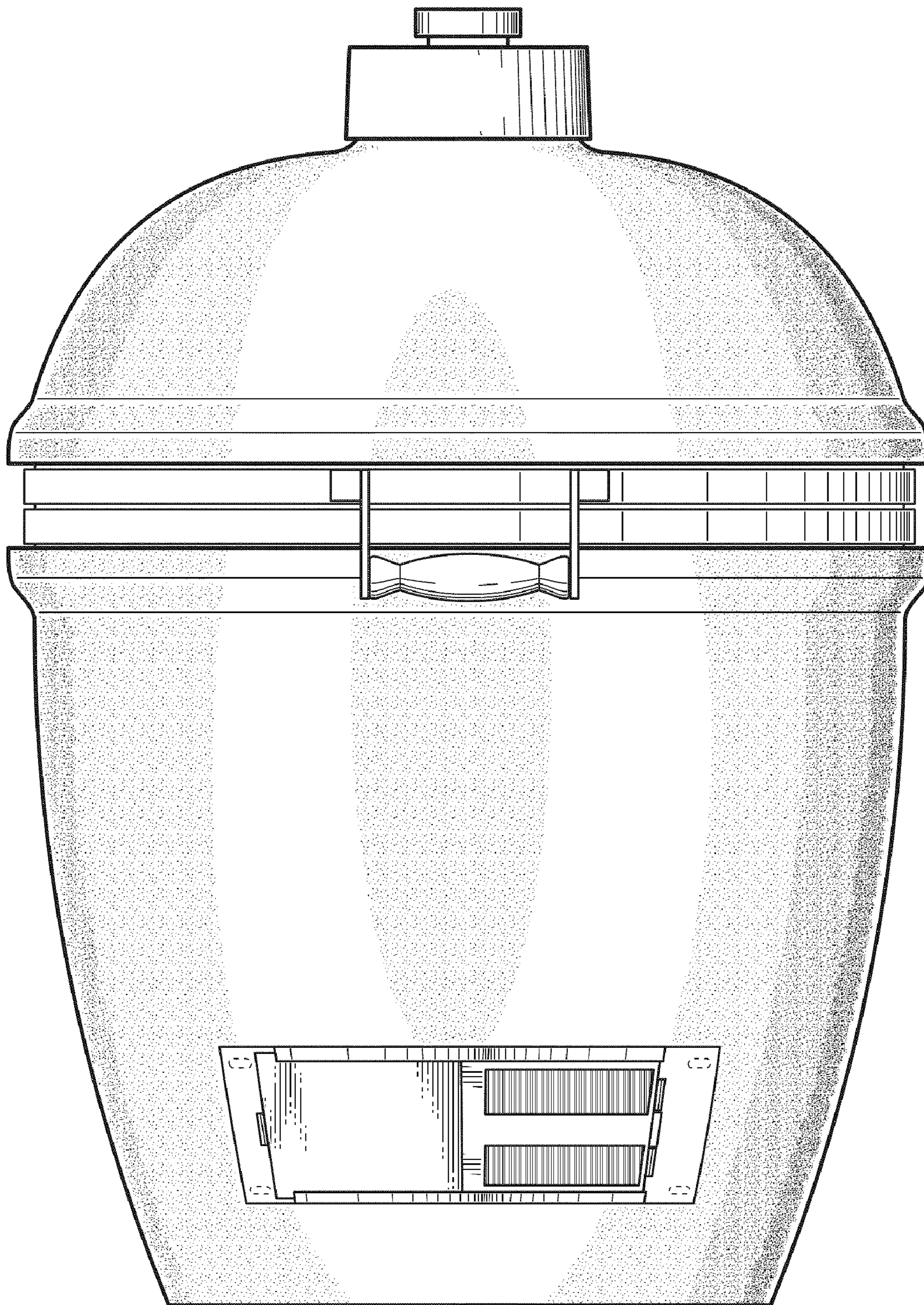


FIG. 3

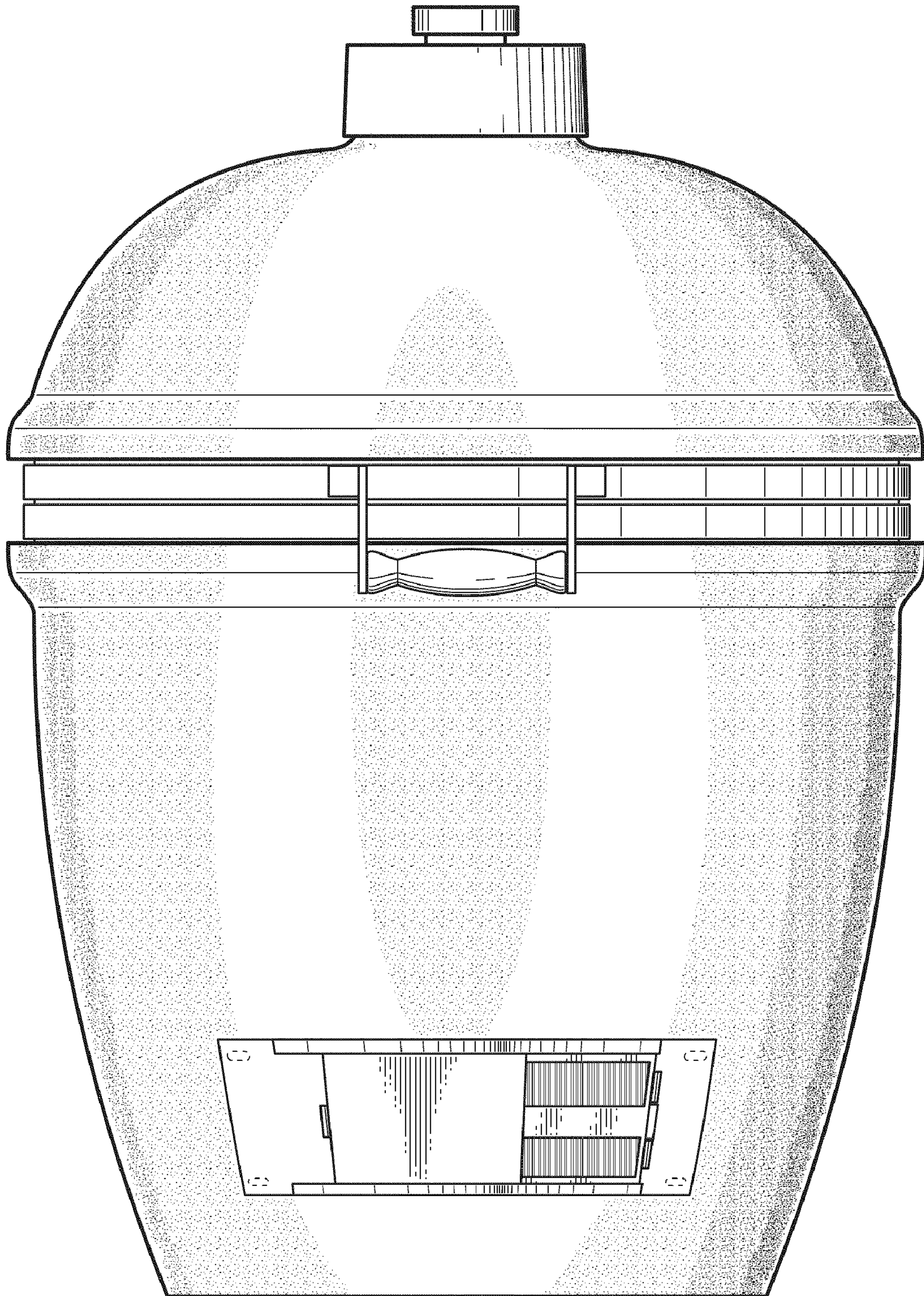


FIG. 4

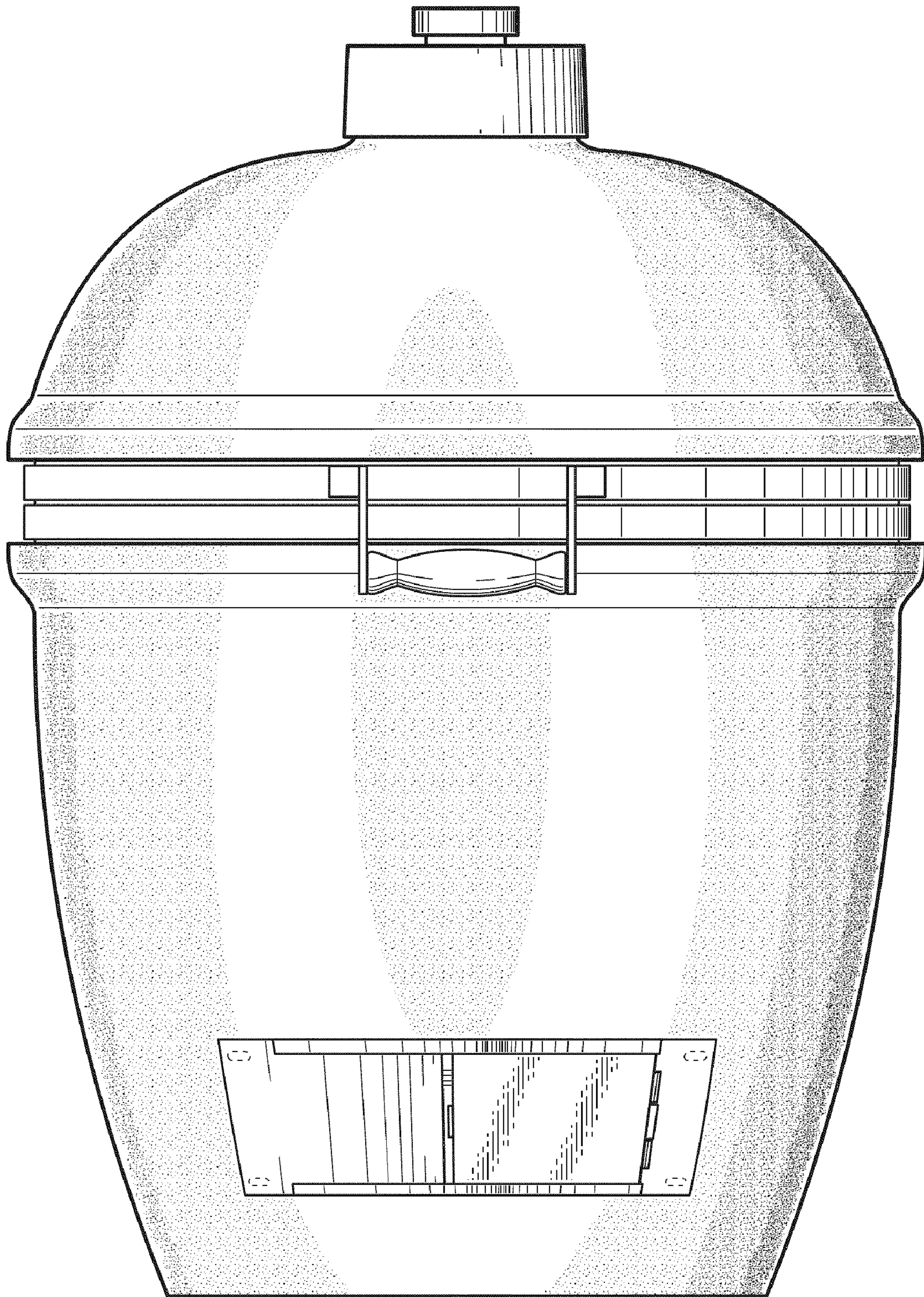


FIG. 5

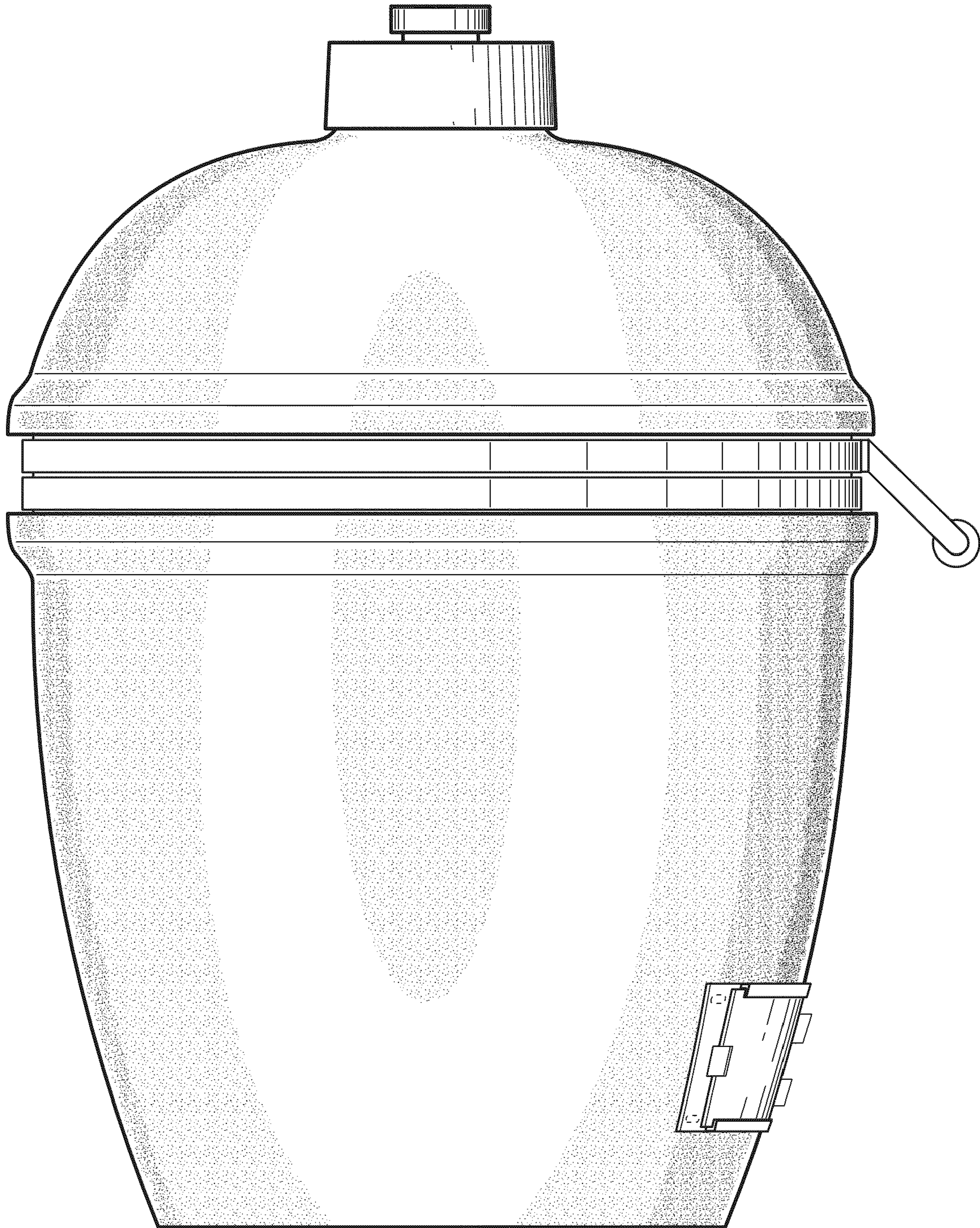


FIG. 6

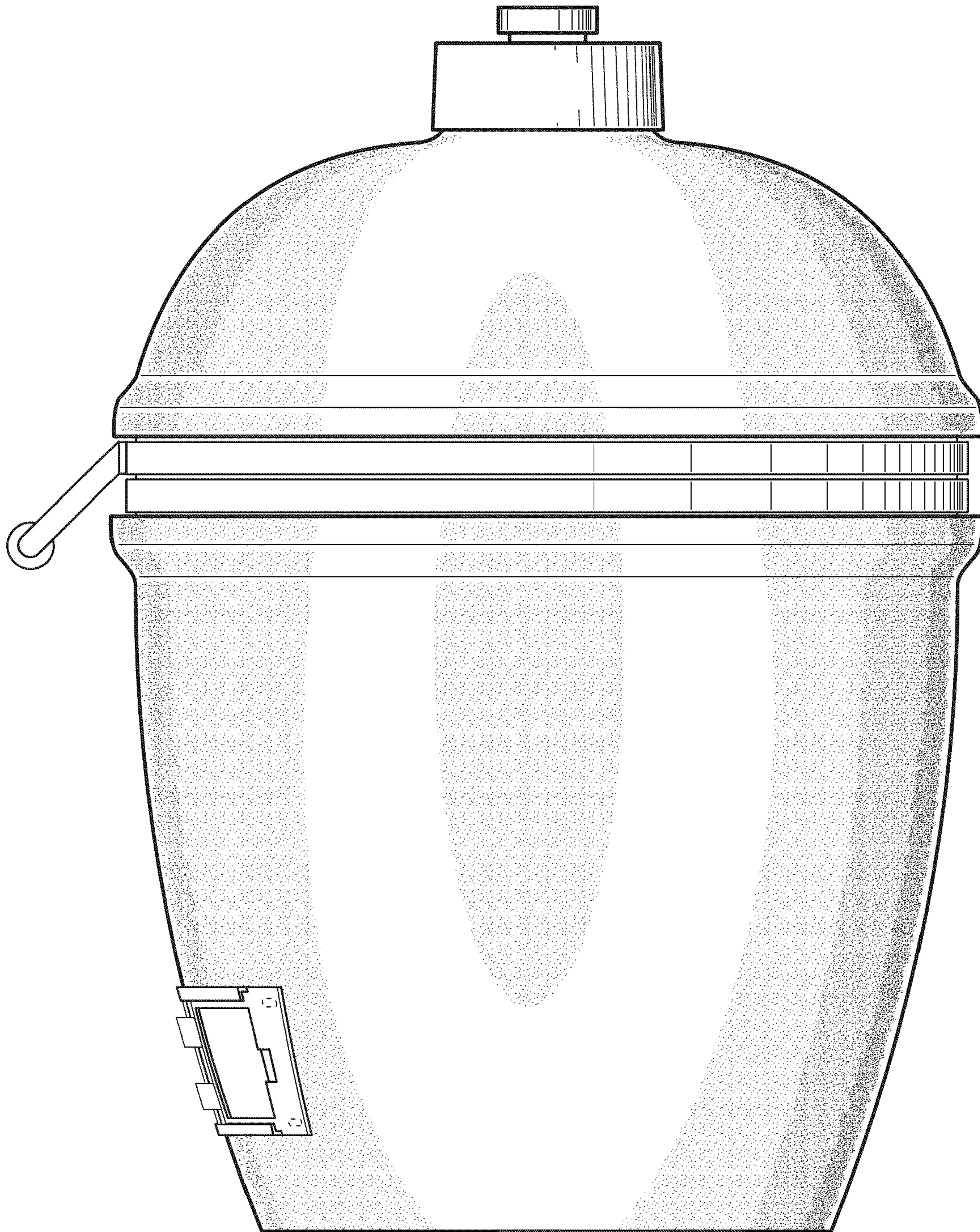


FIG. 7

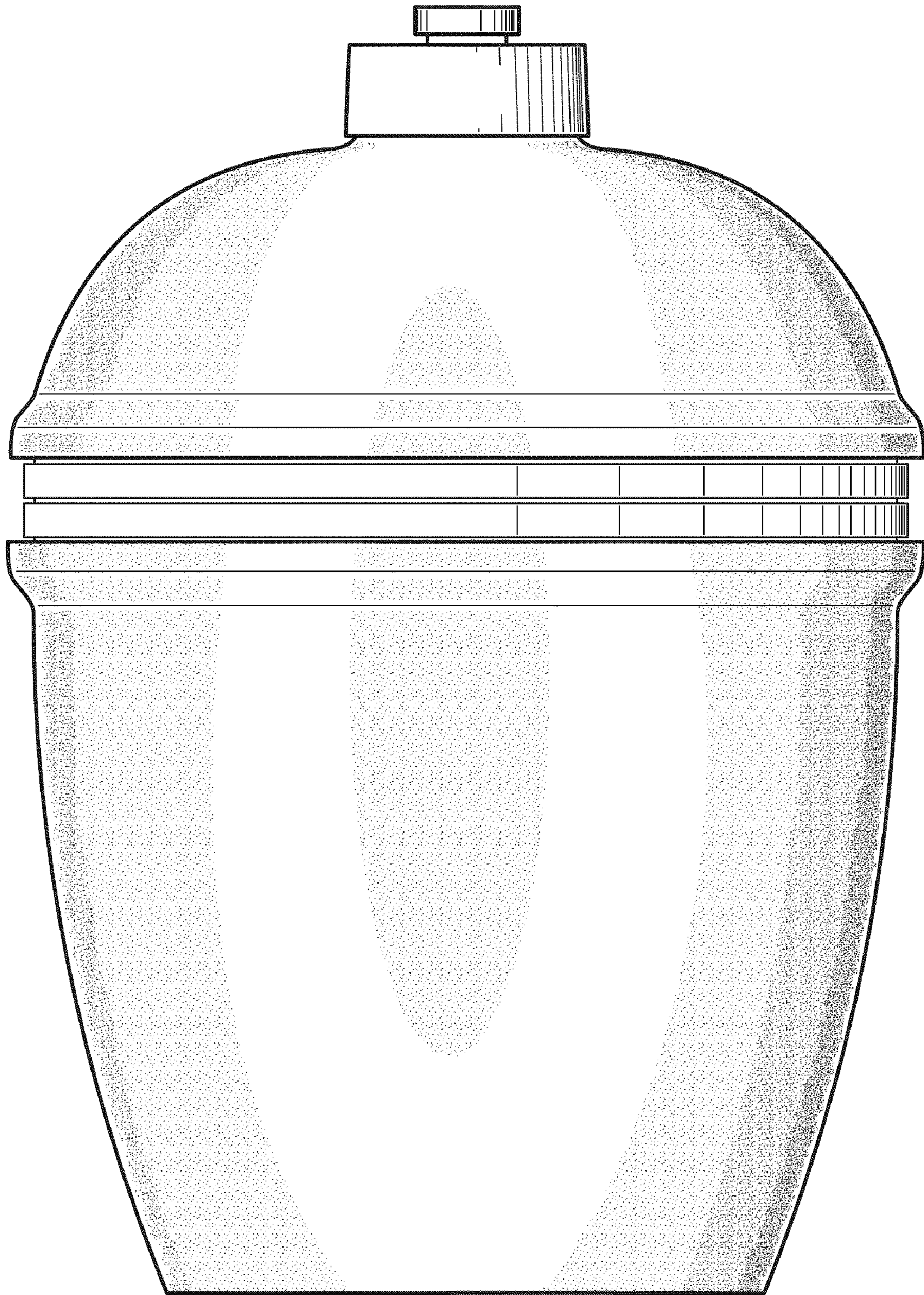


FIG. 8

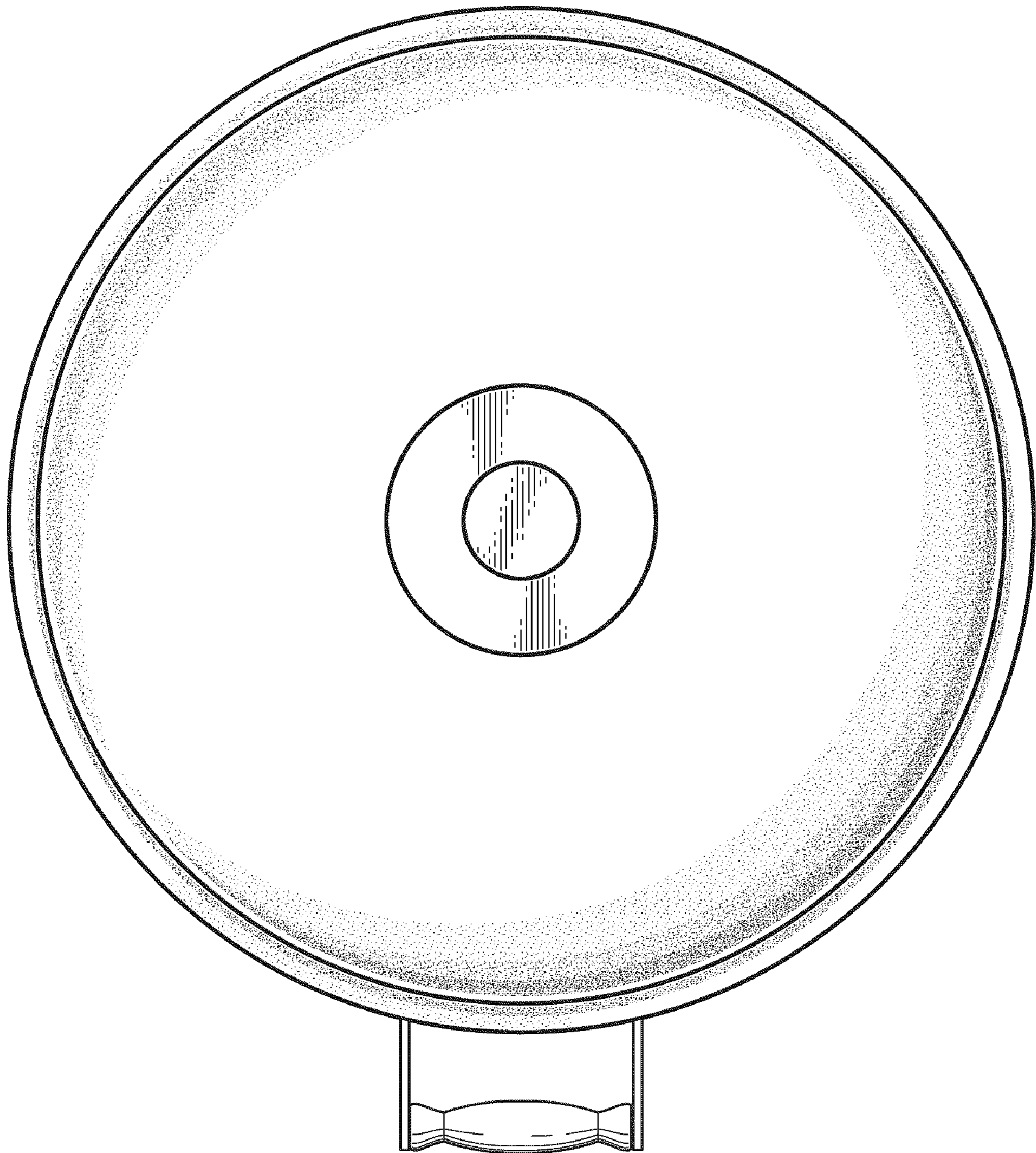


FIG. 9

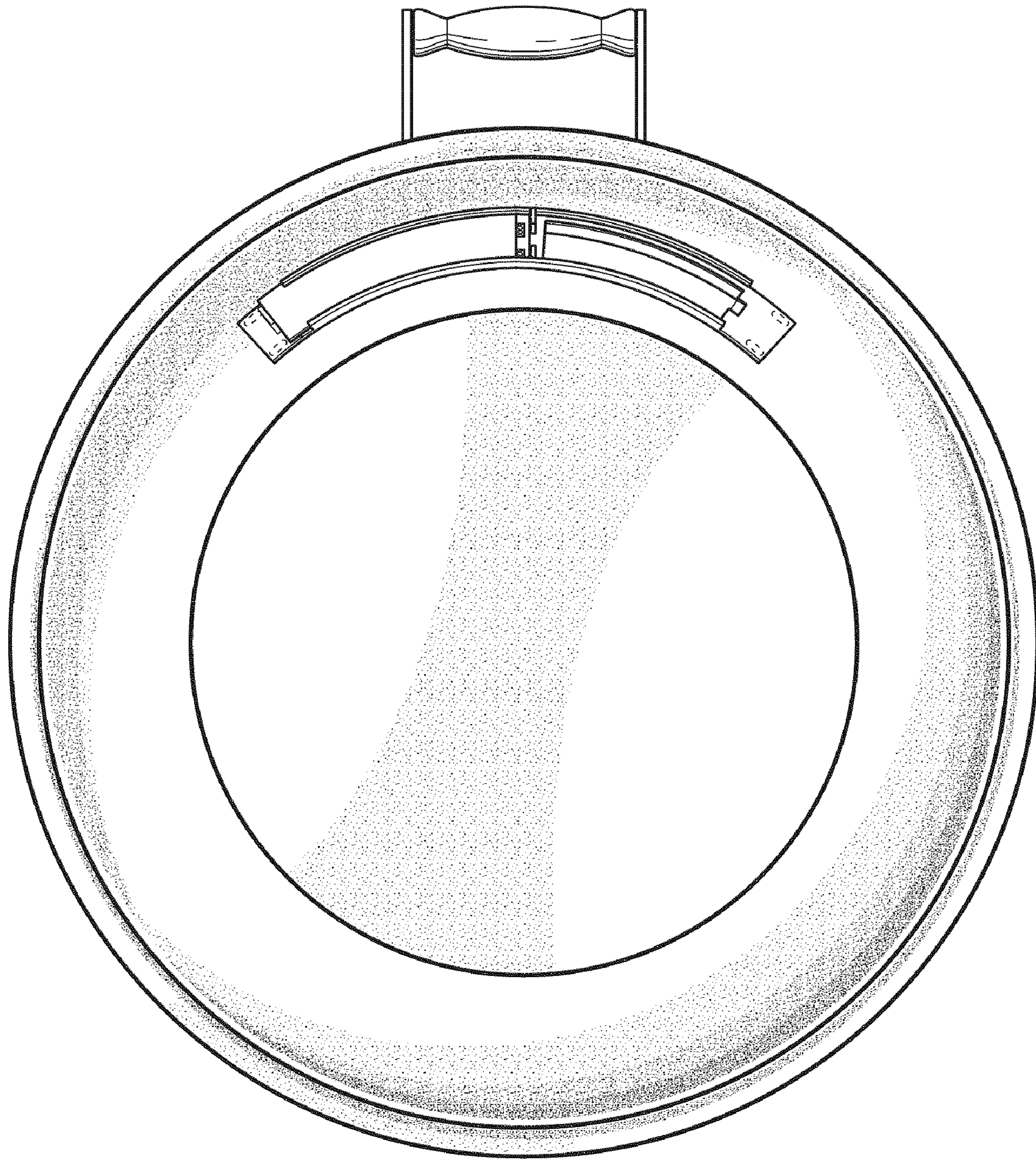


FIG. 10