



US00D615806S

(12) **United States Design Patent**  
**Baek**

(10) **Patent No.:** **US D615,806 S**

(45) **Date of Patent:** **\*\* May 18, 2010**

(54) **MICROWAVE OVEN**

(75) Inventor: **Byung Kook Baek**, Kyunggi-do (KR)

(73) Assignee: **Samsung Electronics Co., Ltd.**, Suwon (KR)

(\*\*) Term: **14 Years**

(21) Appl. No.: **29/343,153**

(22) Filed: **Sep. 9, 2009**

(51) **LOC (9) Cl.** ..... **07-02**

(52) **U.S. Cl.** ..... **D7/351**

(58) **Field of Classification Search** ..... D7/351,  
D7/350.1, 350.3, 350.4, 402, 405, 406; 219/678,  
219/756-758; 126/19 M, 275 E  
See application file for complete search history.

(56) **References Cited**

**U.S. PATENT DOCUMENTS**

- D456,666 S \* 5/2002 Monguilod ..... D7/351
- D457,378 S \* 5/2002 Wang et al. .... D7/351
- D487,666 S \* 3/2004 Monguilod ..... D7/351
- D523,282 S \* 6/2006 Yoon ..... D7/351

D586,180 S \* 2/2009 Pino et al. .... D7/405

\* cited by examiner

*Primary Examiner*—Ruth McInroy

(74) *Attorney, Agent, or Firm*—Ladas and Parry LLP

(57) **CLAIM**

I claim the ornamental design for a microwave oven, and shown and described.

**DESCRIPTION**

FIG. 1 is a front/right-side/top perspective view of a microwave oven showing our new design;

FIG. 2 is a front elevational view thereof;

FIG. 3 is a rear elevational view thereof;

FIG. 4 is a left-side elevational view thereof;

FIG. 5 is a right-side elevational view thereof;

FIG. 6 is a top plan view thereof; and

FIG. 7 is a bottom plan view thereof; and,

FIG. 8 is a perspective view showing the microwave oven in an alternative position.

**1 Claim, 6 Drawing Sheets**

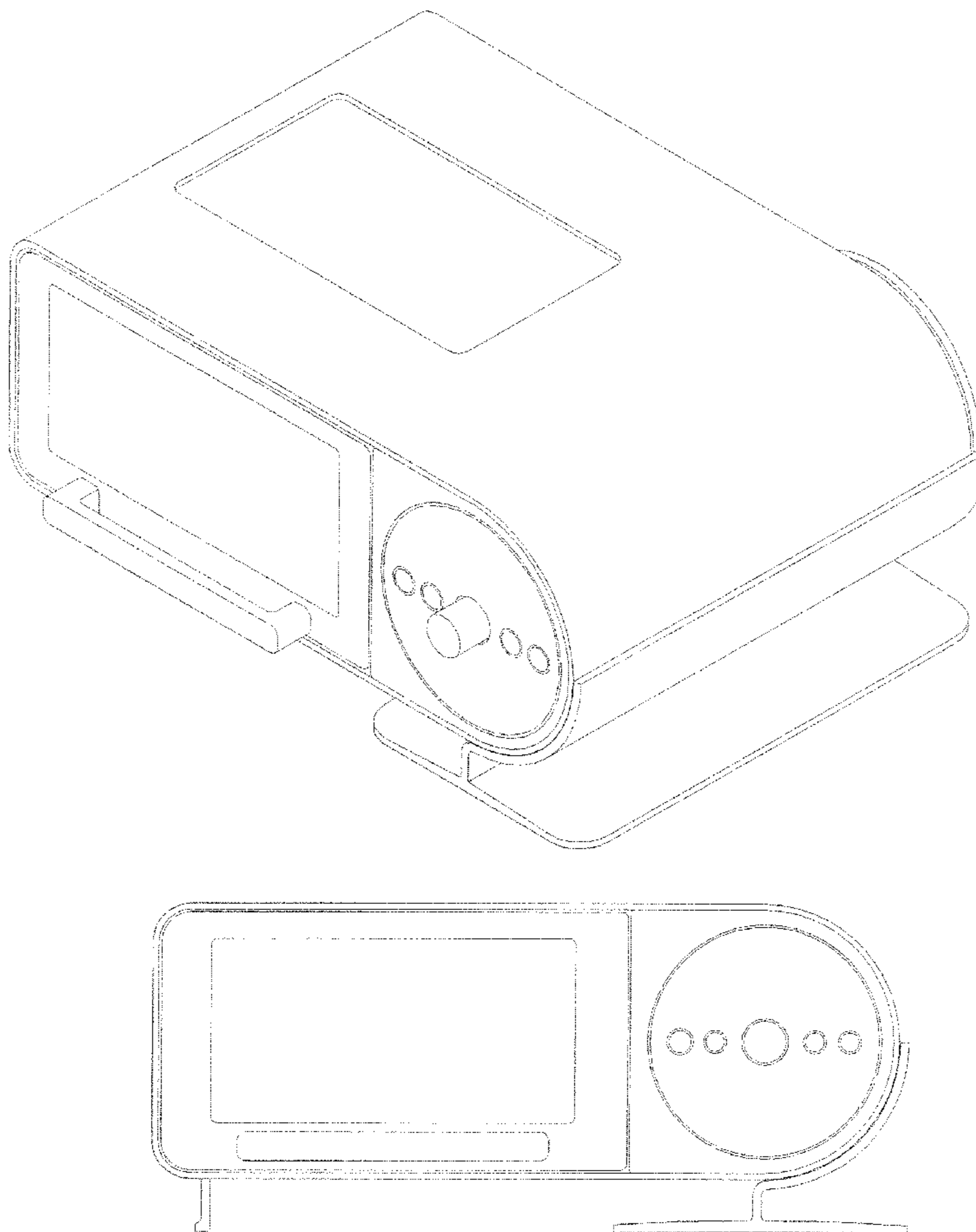


FIG. 1

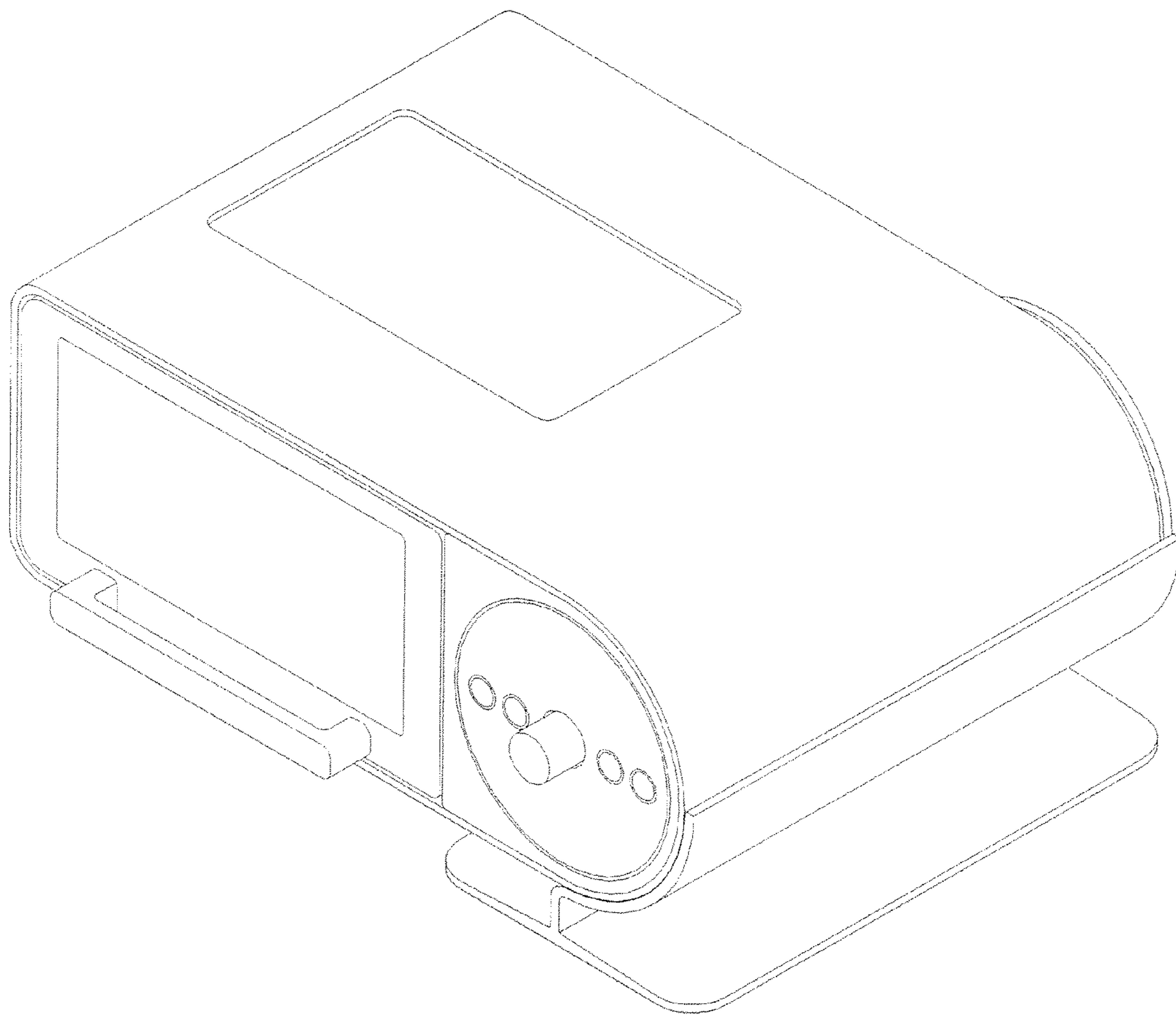


FIG. 2

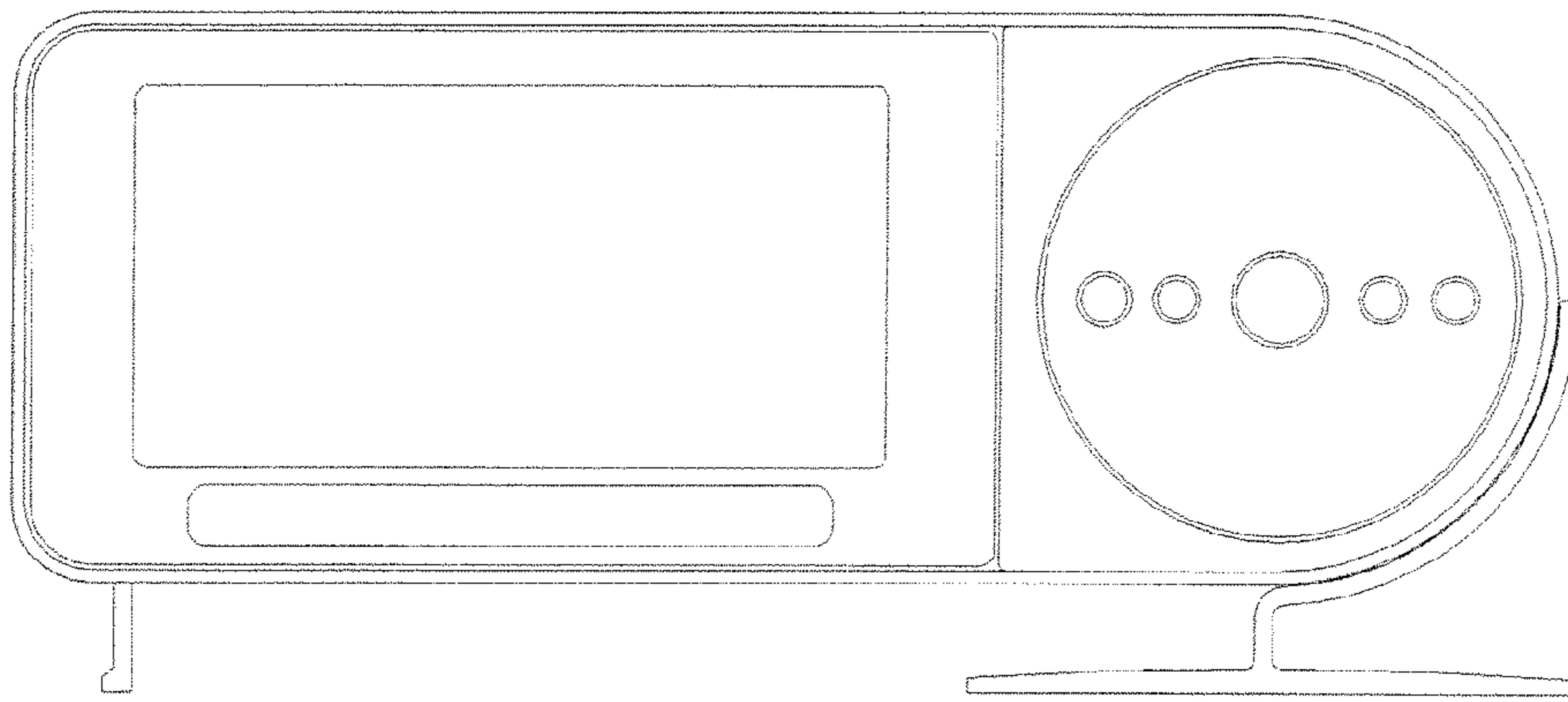


FIG. 3

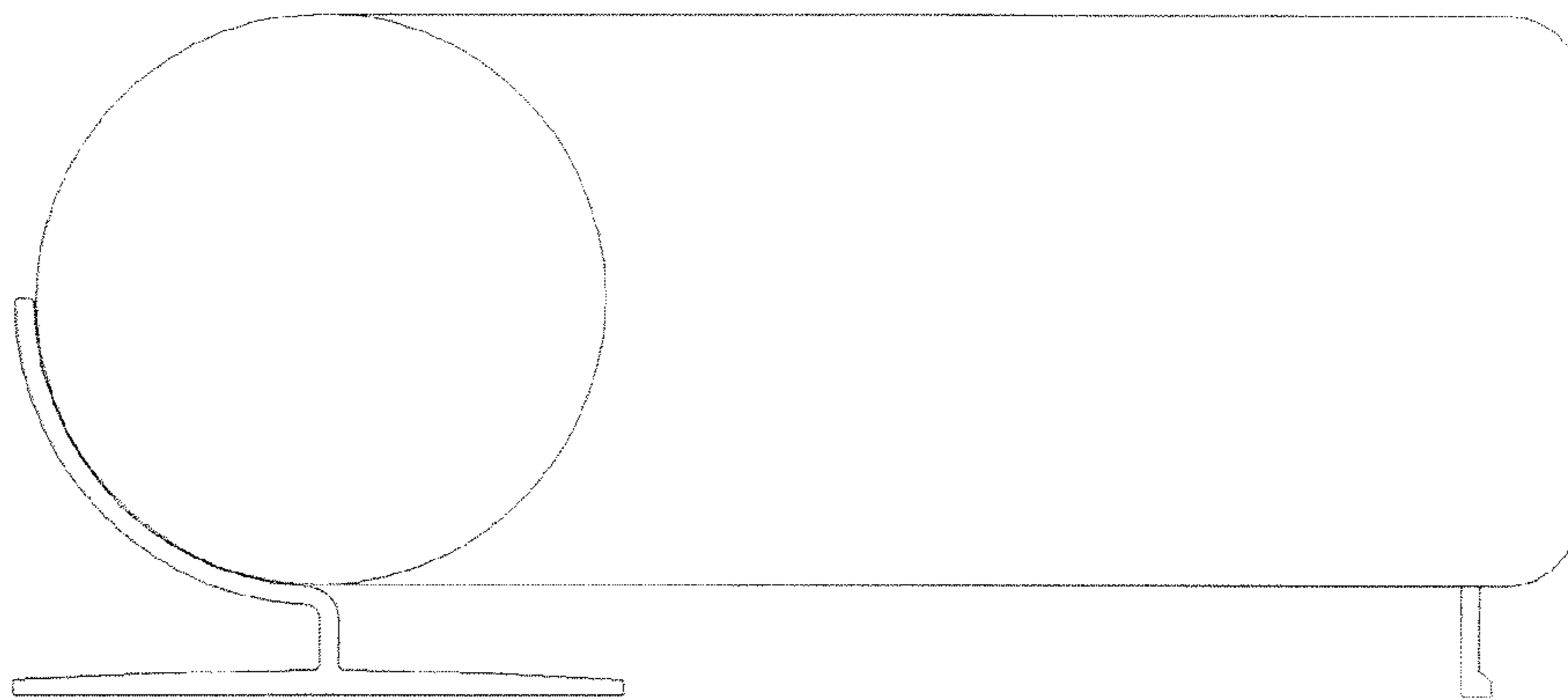


FIG. 4

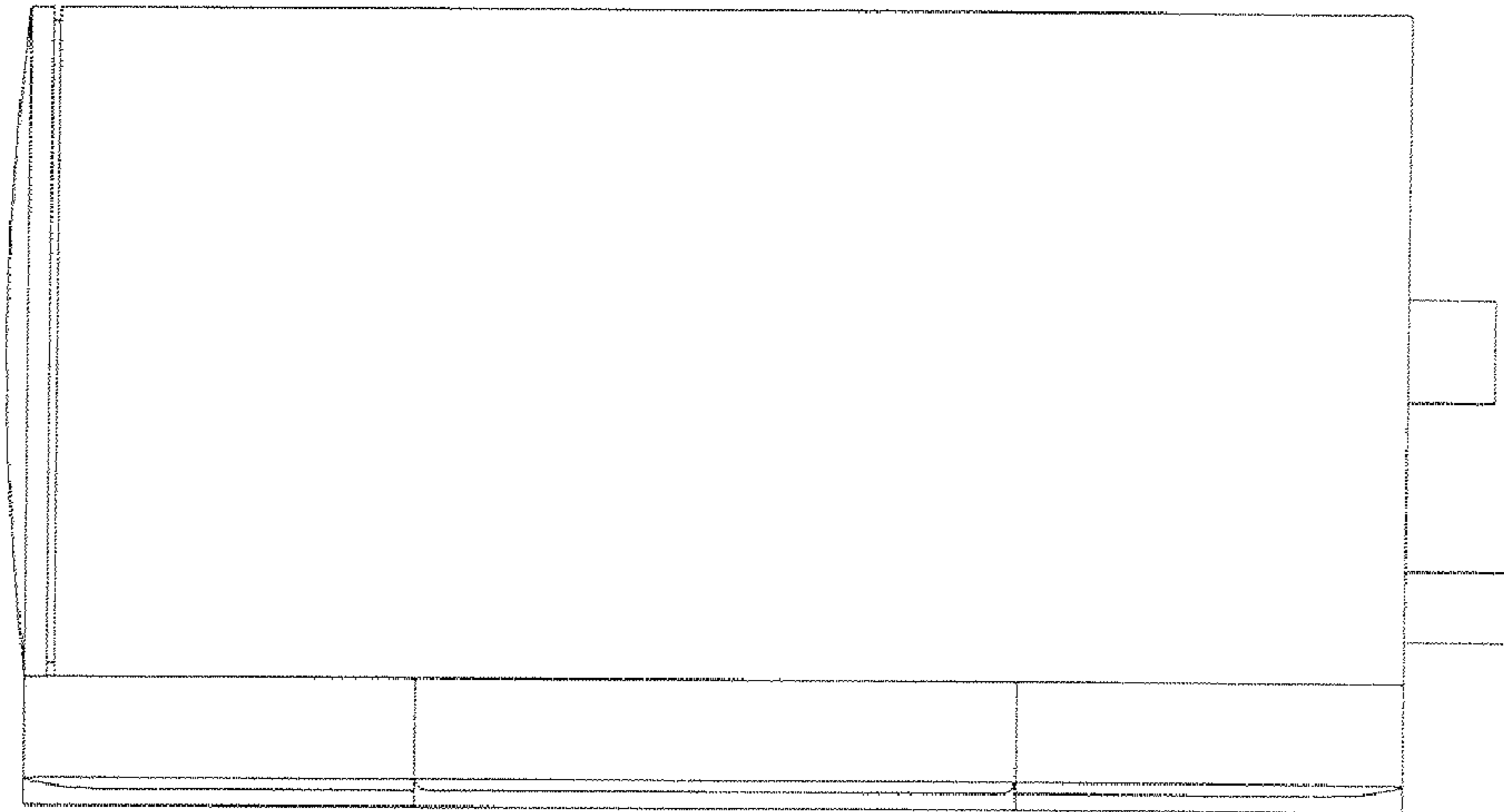


FIG. 5

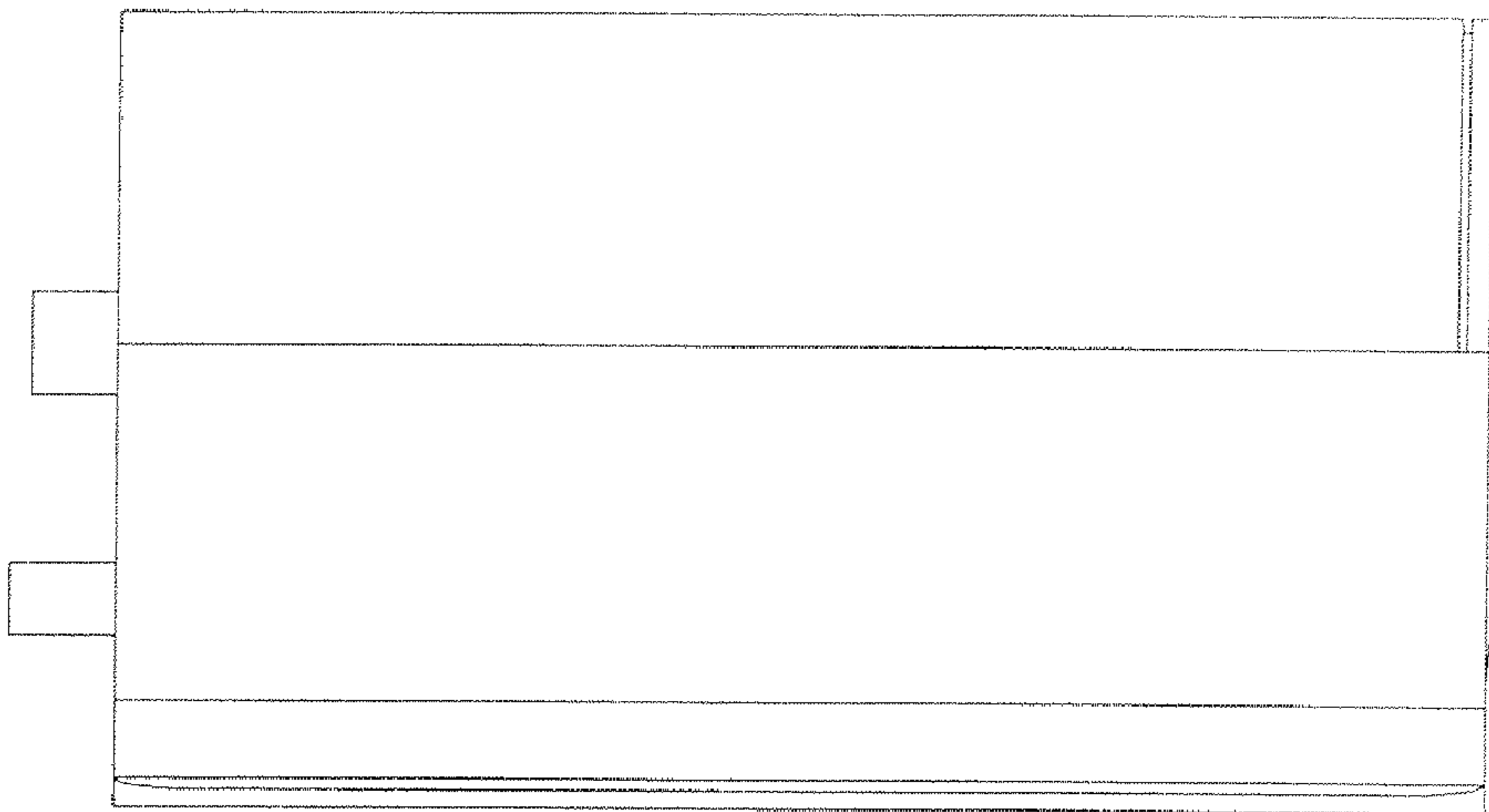


FIG. 6

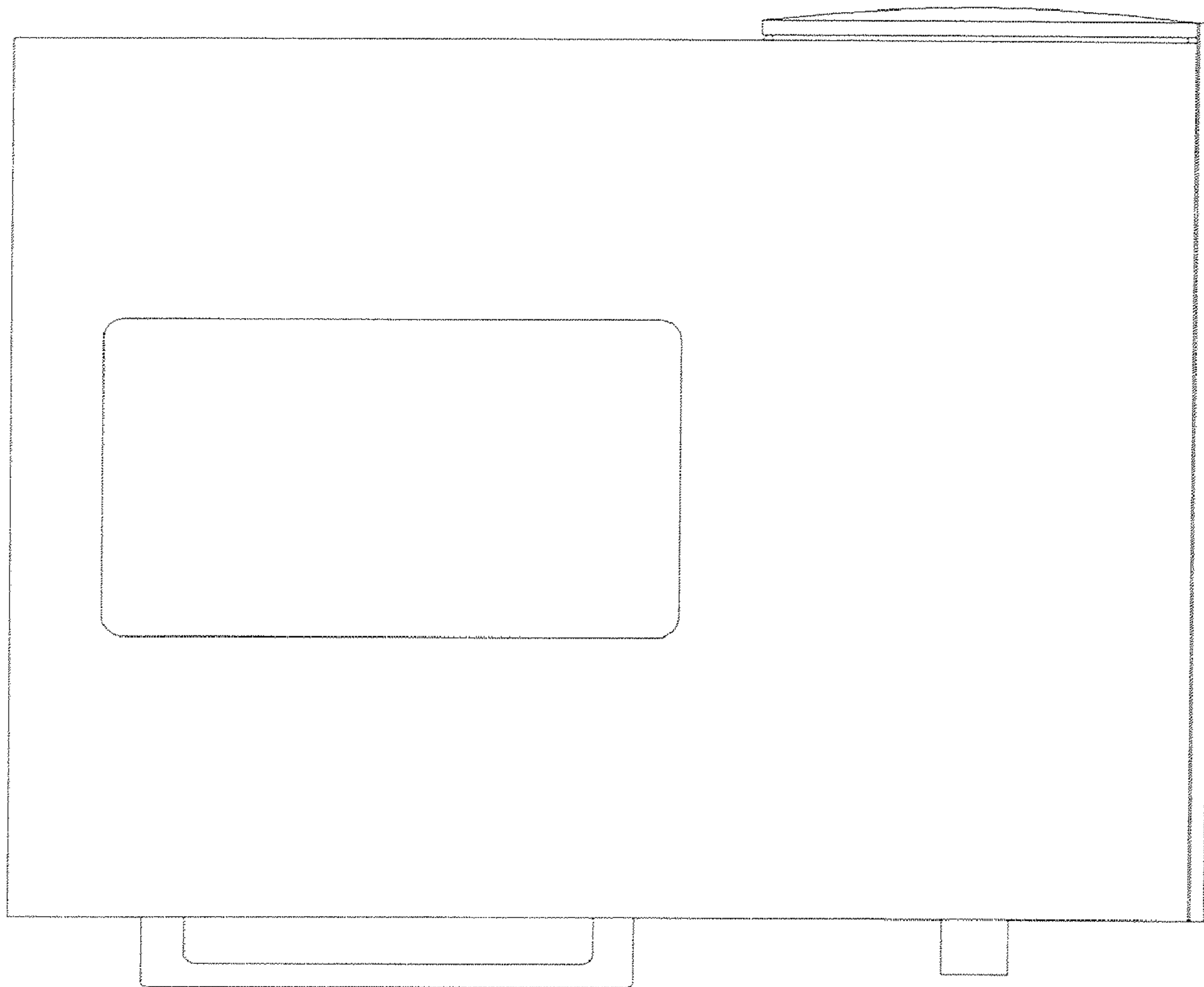


FIG. 7

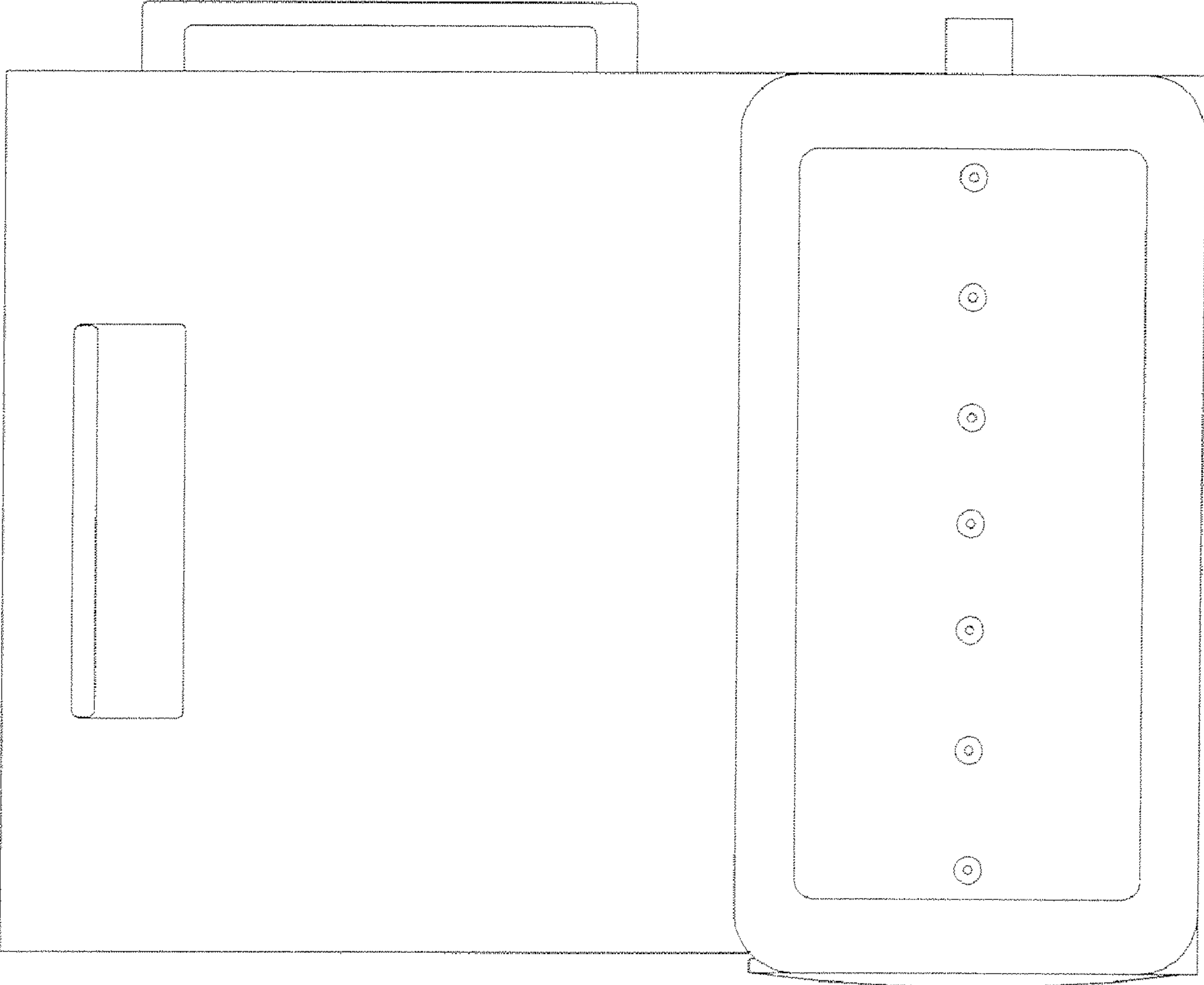


FIG. 8

