



US00D615803S

(12) **United States Design Patent**
Sindeaux et al.

(10) **Patent No.:** **US D615,803 S**

(45) **Date of Patent:** **** May 18, 2010**

(54) **MICROWAVE OVEN**

(75) Inventors: **Gustavo Eugenio Monteiro Sindeaux**,
Curitiba (BR); **Alexandre Chauffaille**
Drummond, Curitiba (BR)

(73) Assignee: **Electrolux Do Brasil S.A.**, Curitiba-PR
(BR)

(**) Term: **14 Years**

(21) Appl. No.: **29/336,862**

(22) Filed: **May 11, 2009**

(30) **Foreign Application Priority Data**

Nov. 10, 2008 (BR) DI6804934

(51) **LOC (9) Cl.** **07-02**

(52) **U.S. Cl.** **D7/351**

(58) **Field of Classification Search** D7/351,
D7/350.1, 350.3, 350.4, 402, 405, 406; 219/678,
219/756-758; 126/19 M, 275 E

See application file for complete search history.

(56) **References Cited**

U.S. PATENT DOCUMENTS

D329,164 S *	9/1992	Edman	D7/351
D439,468 S *	3/2001	Kim	D7/351
D442,820 S *	5/2001	Kim	D7/351
D442,821 S *	5/2001	Naganuma	D7/351
D451,753 S *	12/2001	Chouya	D7/351
D462,102 S *	8/2002	Urbik	D21/794
D468,577 S *	1/2003	Kanza et al.	D7/351
D509,400 S *	9/2005	Kanza	D7/351
D522,800 S *	6/2006	Lee et al.	D7/351
D561,529 S *	2/2008	Suh et al.	D7/405
D562,057 S *	2/2008	Kim	D7/351

D576,835 S *	9/2008	Shin et al.	D7/351
D583,614 S *	12/2008	Chung et al.	D7/351

* cited by examiner

Primary Examiner—Ruth McInroy

(74) *Attorney, Agent, or Firm*—Buchanan Ingersoll &
Rooney PC

(57) **CLAIM**

The ornamental design for a microwave oven, as shown and described.

DESCRIPTION

FIG. 1 is a front, right perspective view of a microwave oven according to a first embodiment of our new design.

FIG. 2 is a front, left perspective thereof.

FIG. 3 is a top plan view thereof.

FIG. 4 is a left side elevational view thereof.

FIG. 5 is a front elevational view thereof.

FIG. 6 is a right side elevational view thereof.

FIG. 7 is a rear elevational view thereof.

FIG. 8 is a bottom plan view thereof.

FIG. 9 is a front, right perspective view of a microwave oven according to a second embodiment of our new design.

FIG. 10 is a front, left perspective thereof.

FIG. 11 is a top plan view thereof.

FIG. 12 is a left side elevational view thereof.

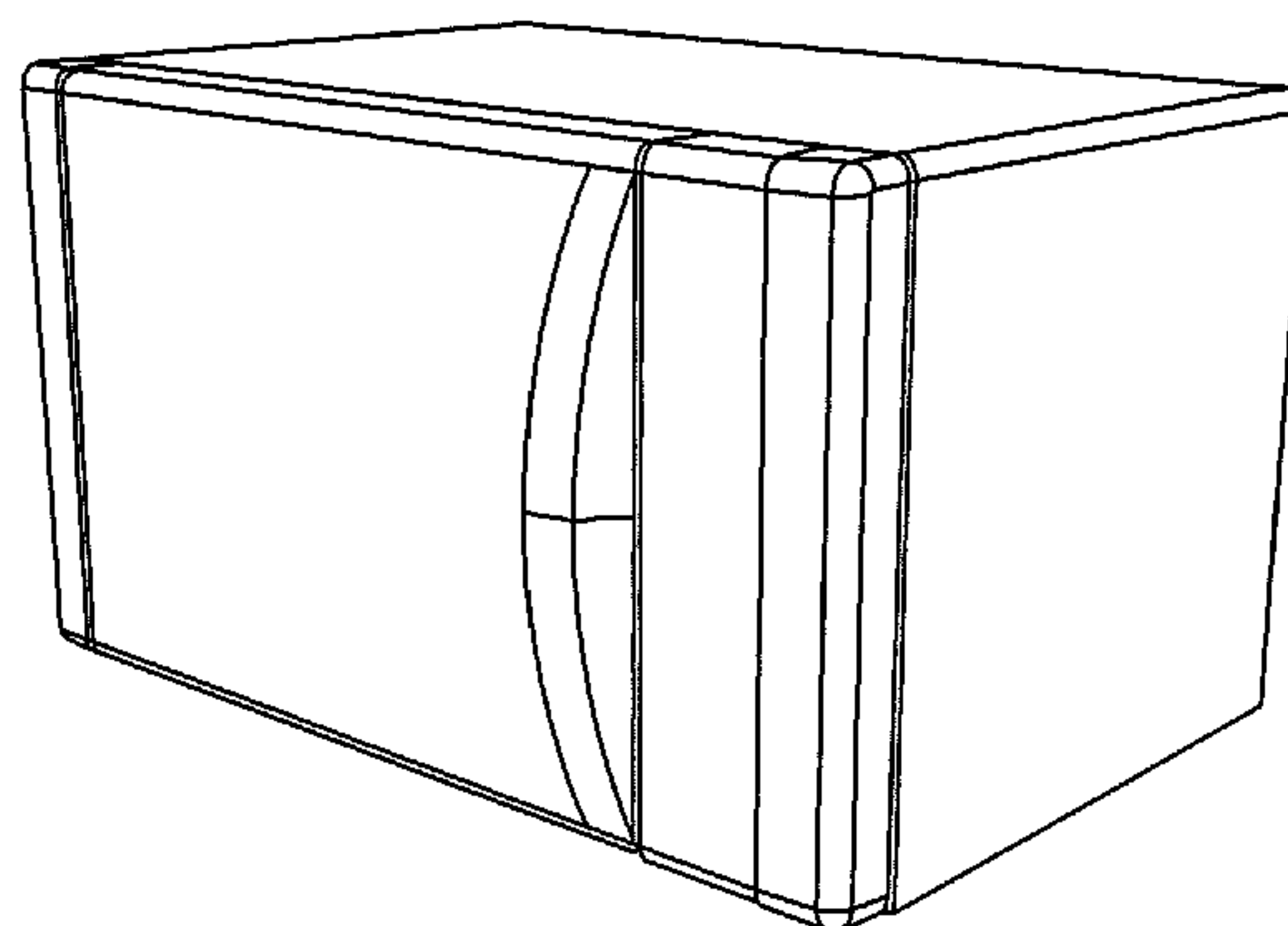
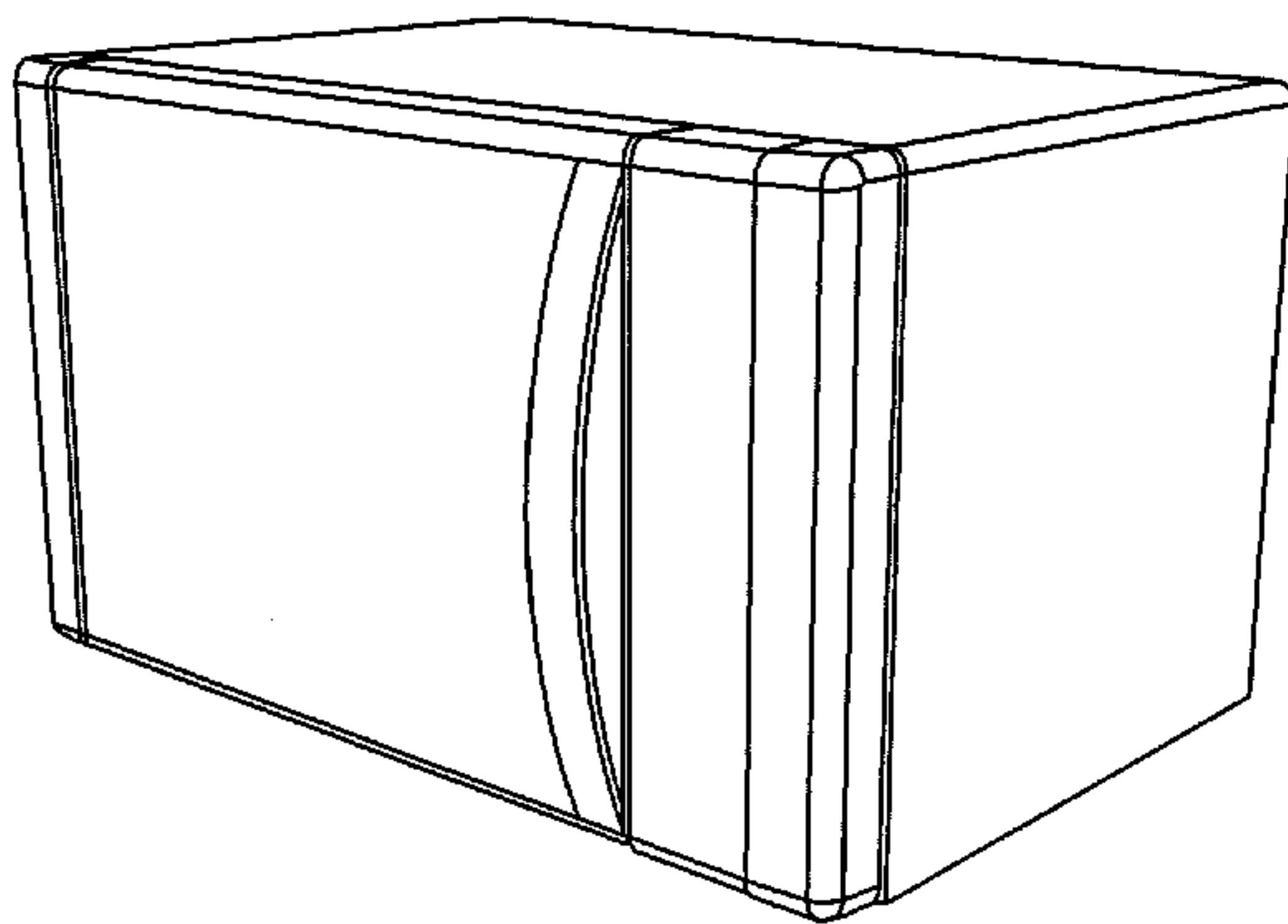
FIG. 13 is a front elevational view thereof.

FIG. 14 is a right side elevational view thereof.

FIG. 15 is a rear elevational view thereof; and,

FIG. 16 is a bottom plan view thereof.

1 Claim, 8 Drawing Sheets



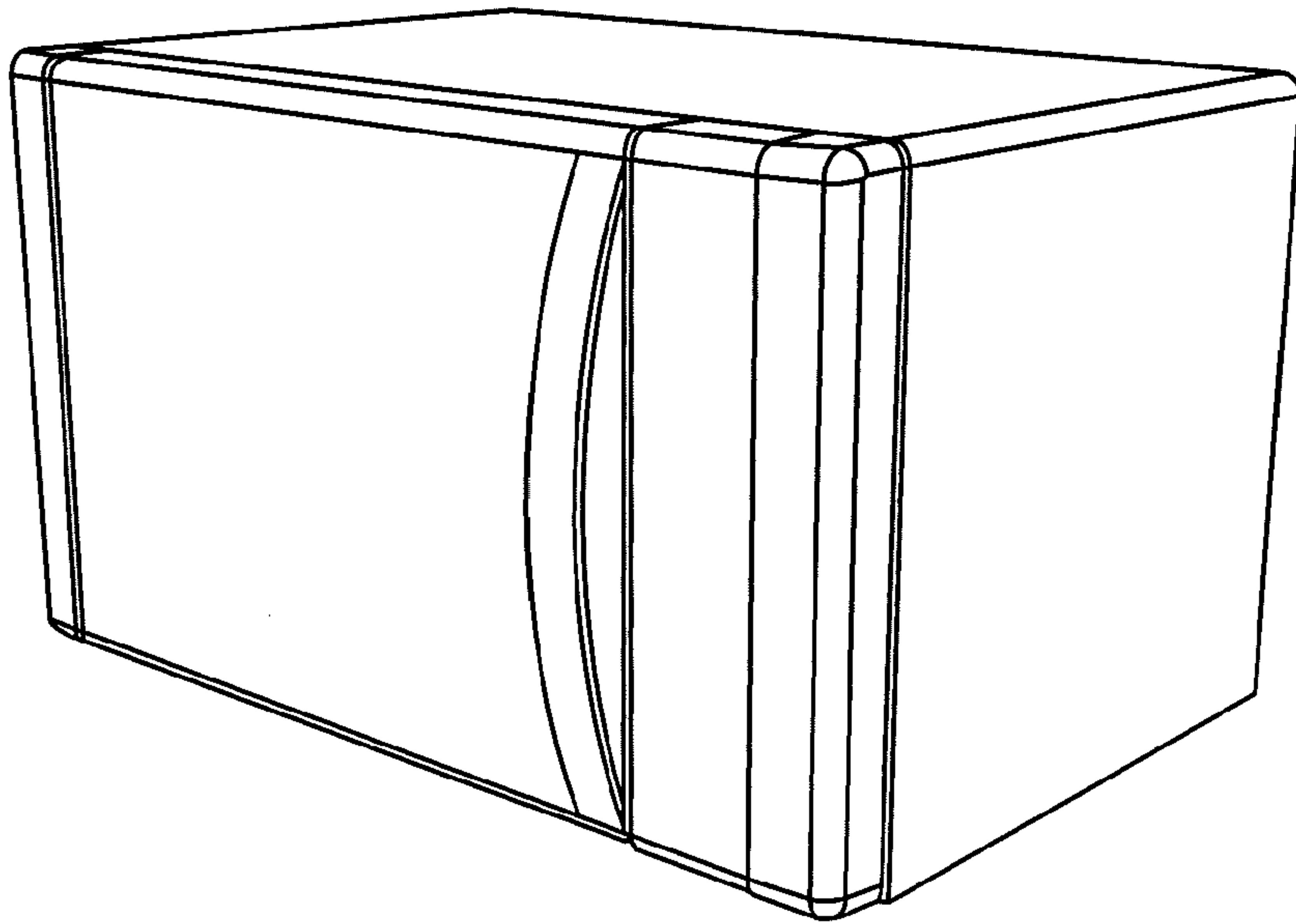


FIG. 1

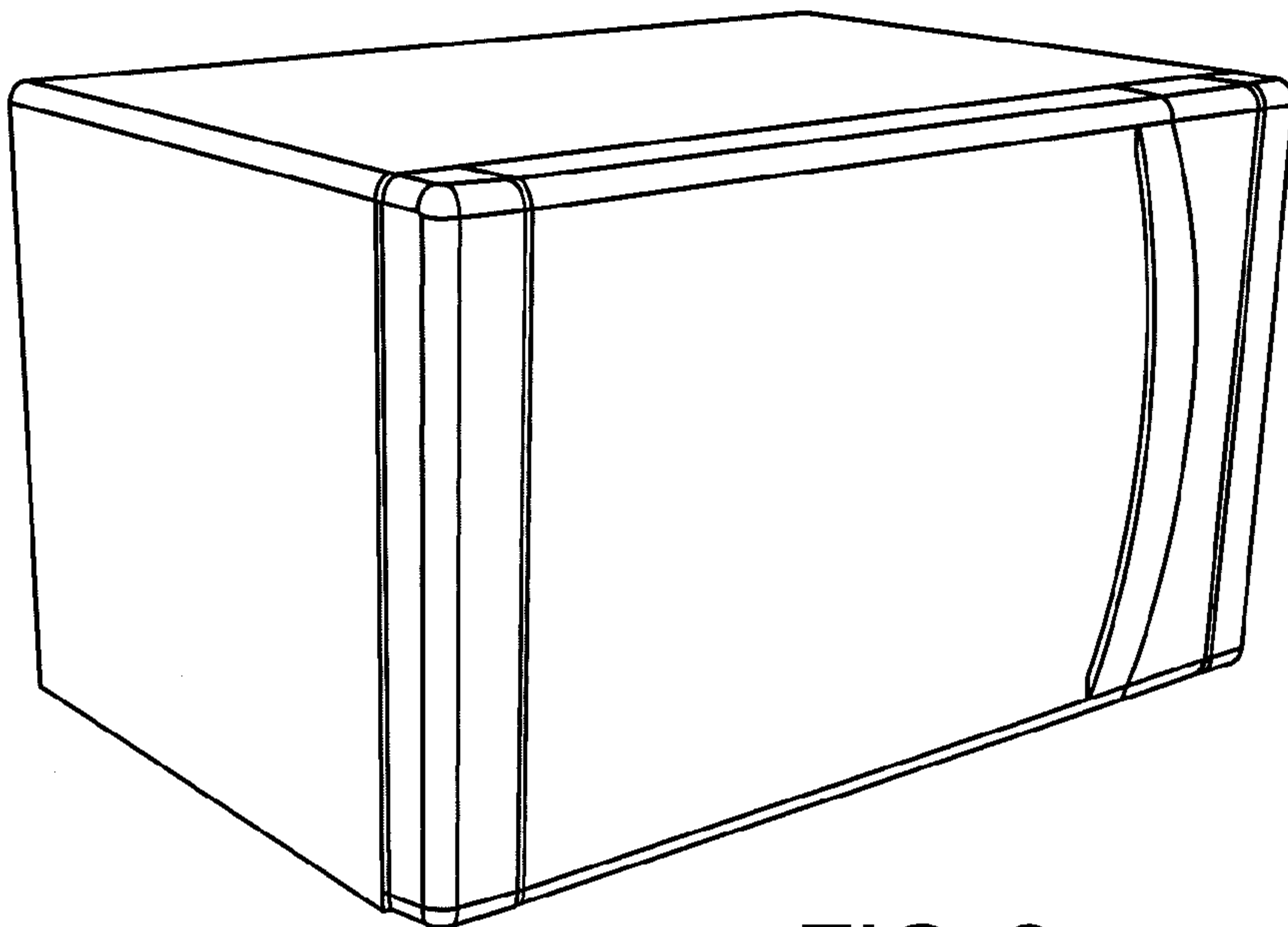


FIG. 2

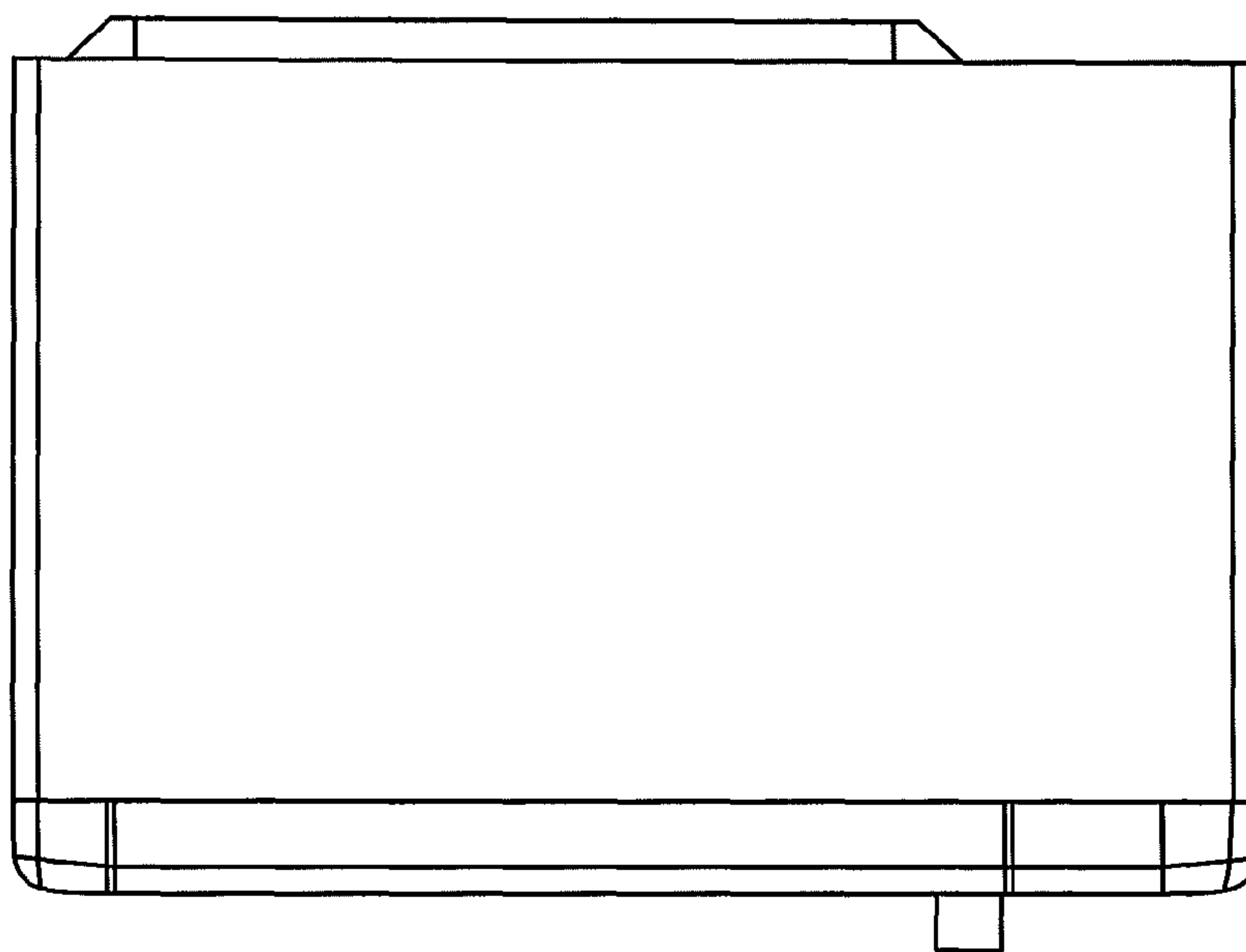


FIG. 3

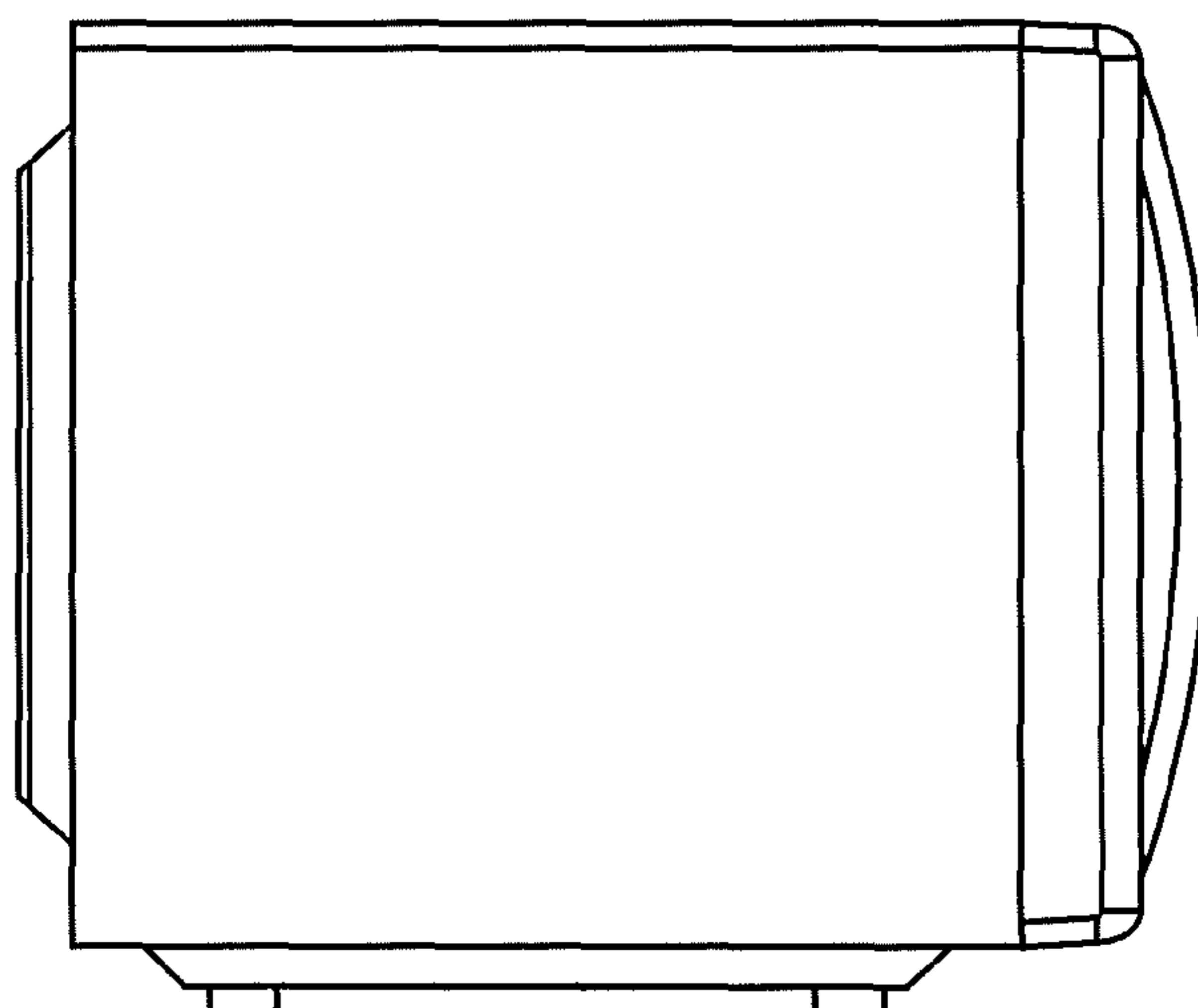


FIG. 4

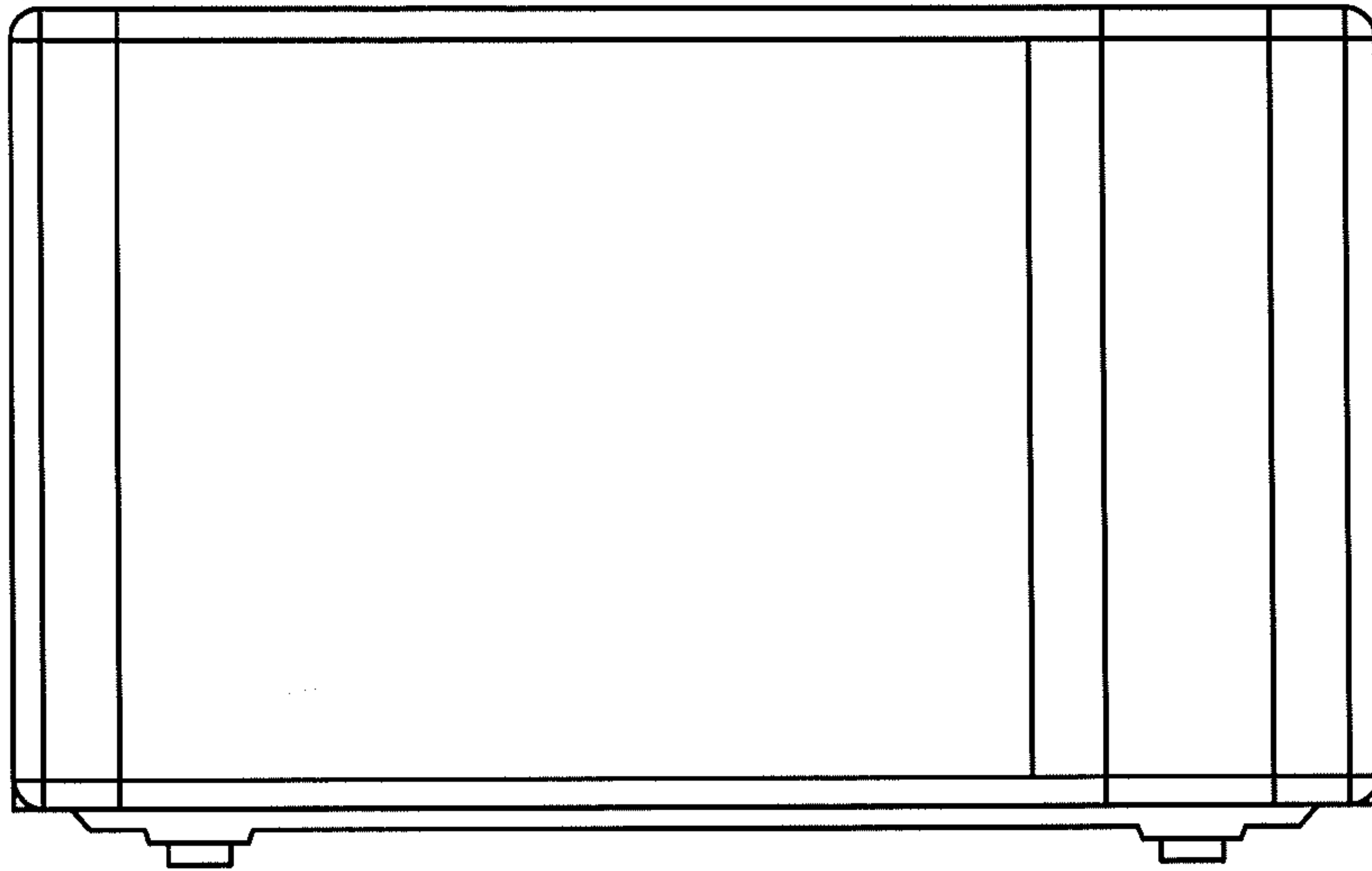


FIG. 5

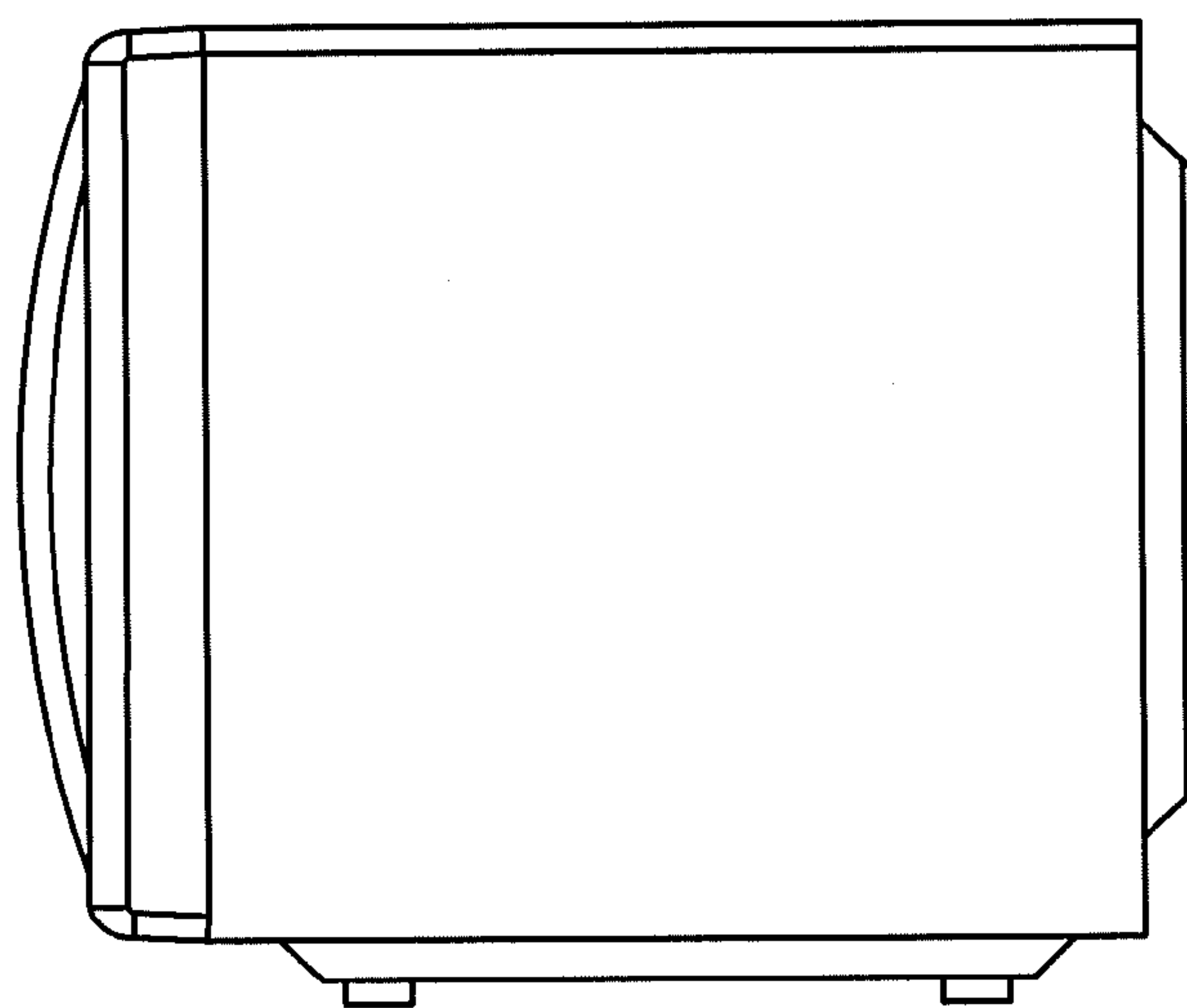


FIG. 6

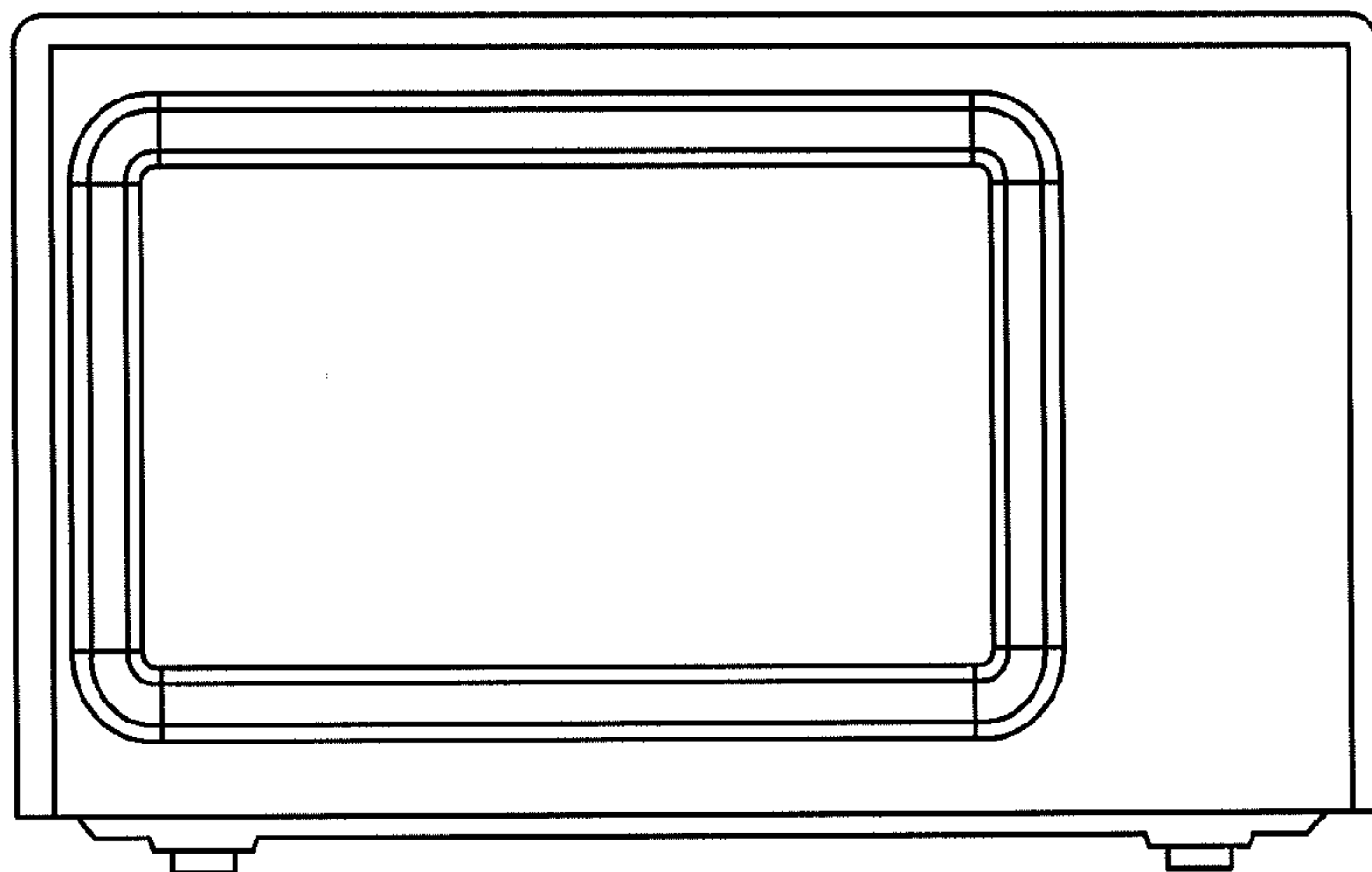


FIG. 7

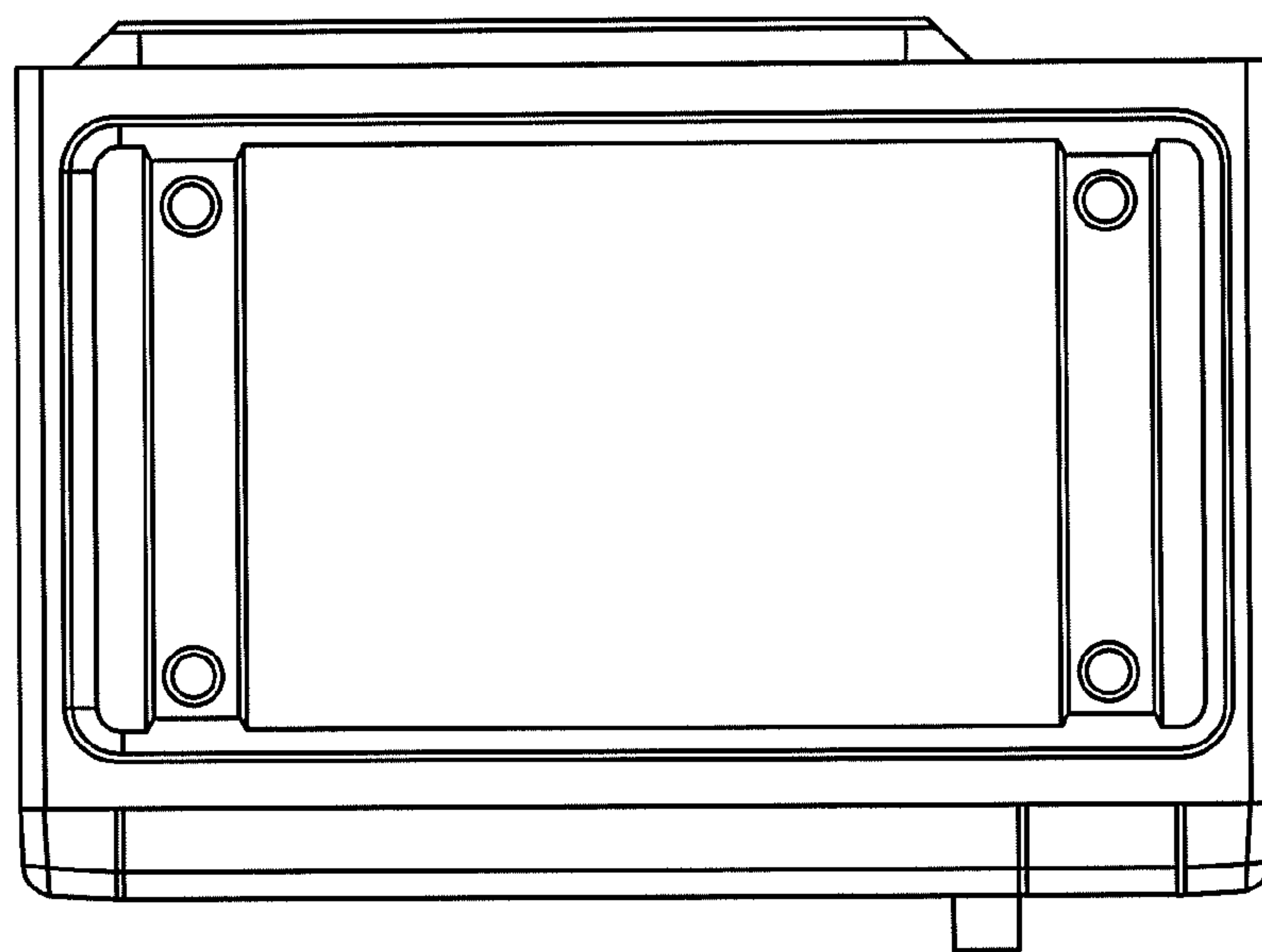


FIG. 8

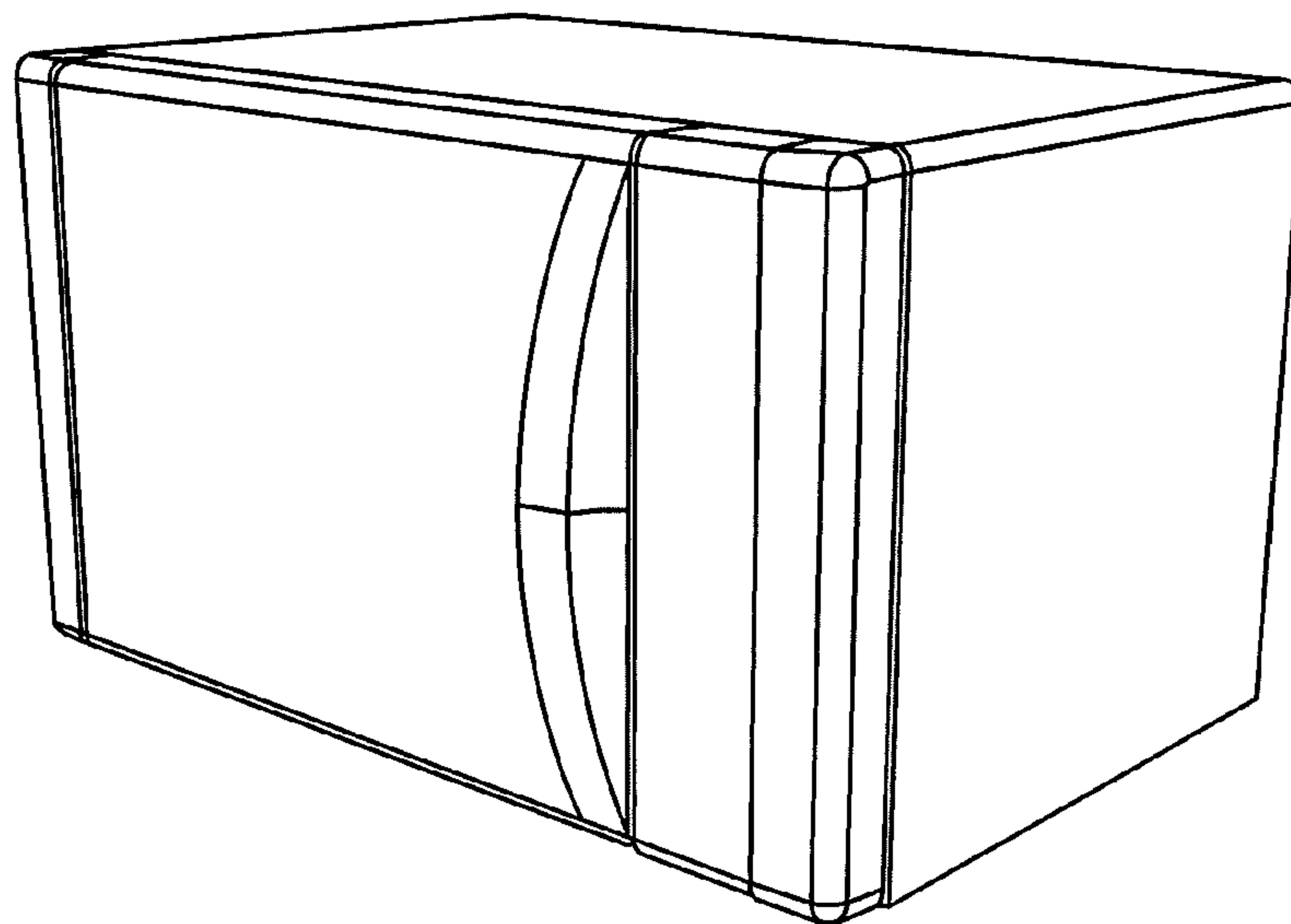


FIG. 9

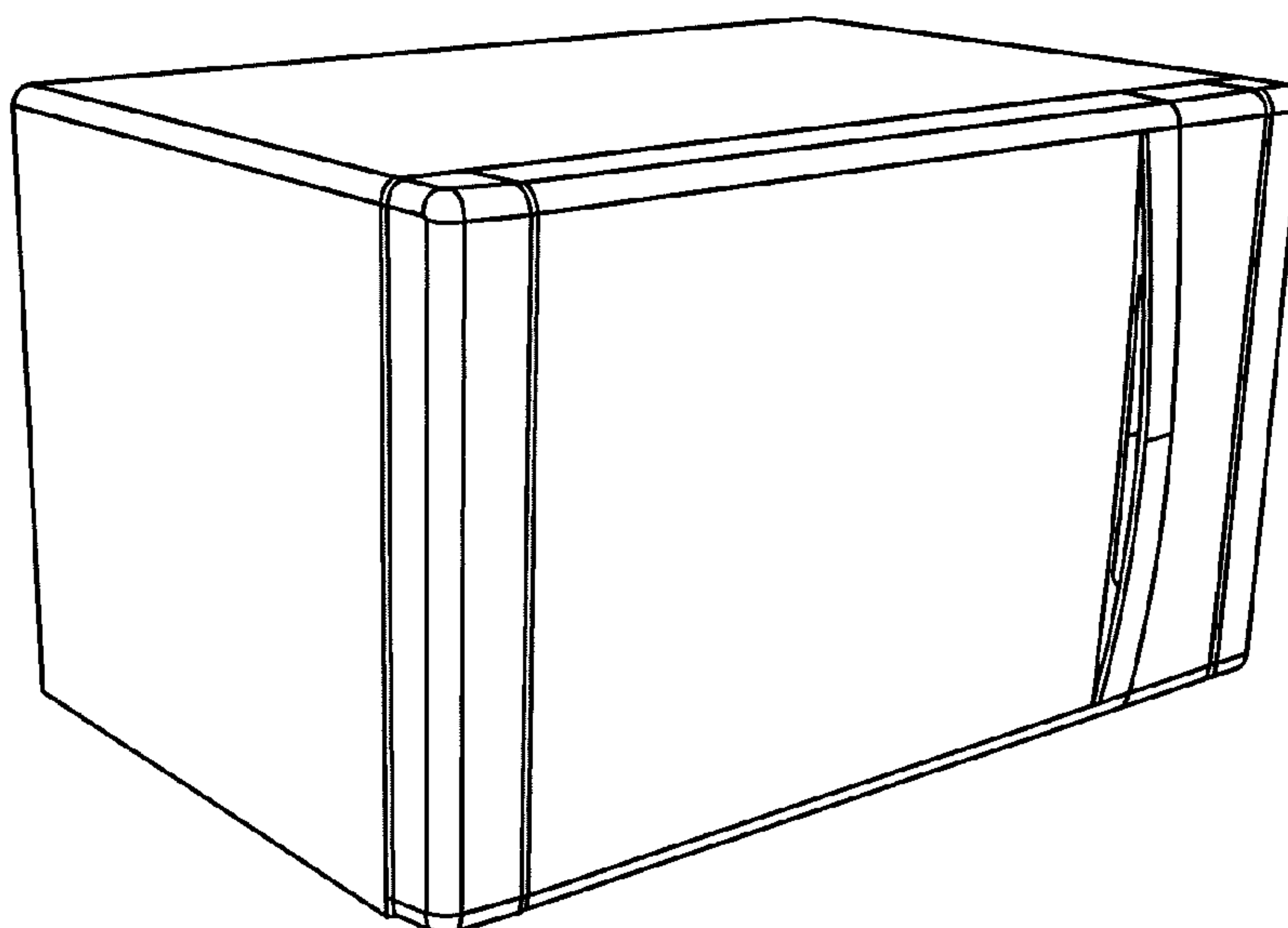


FIG. 10

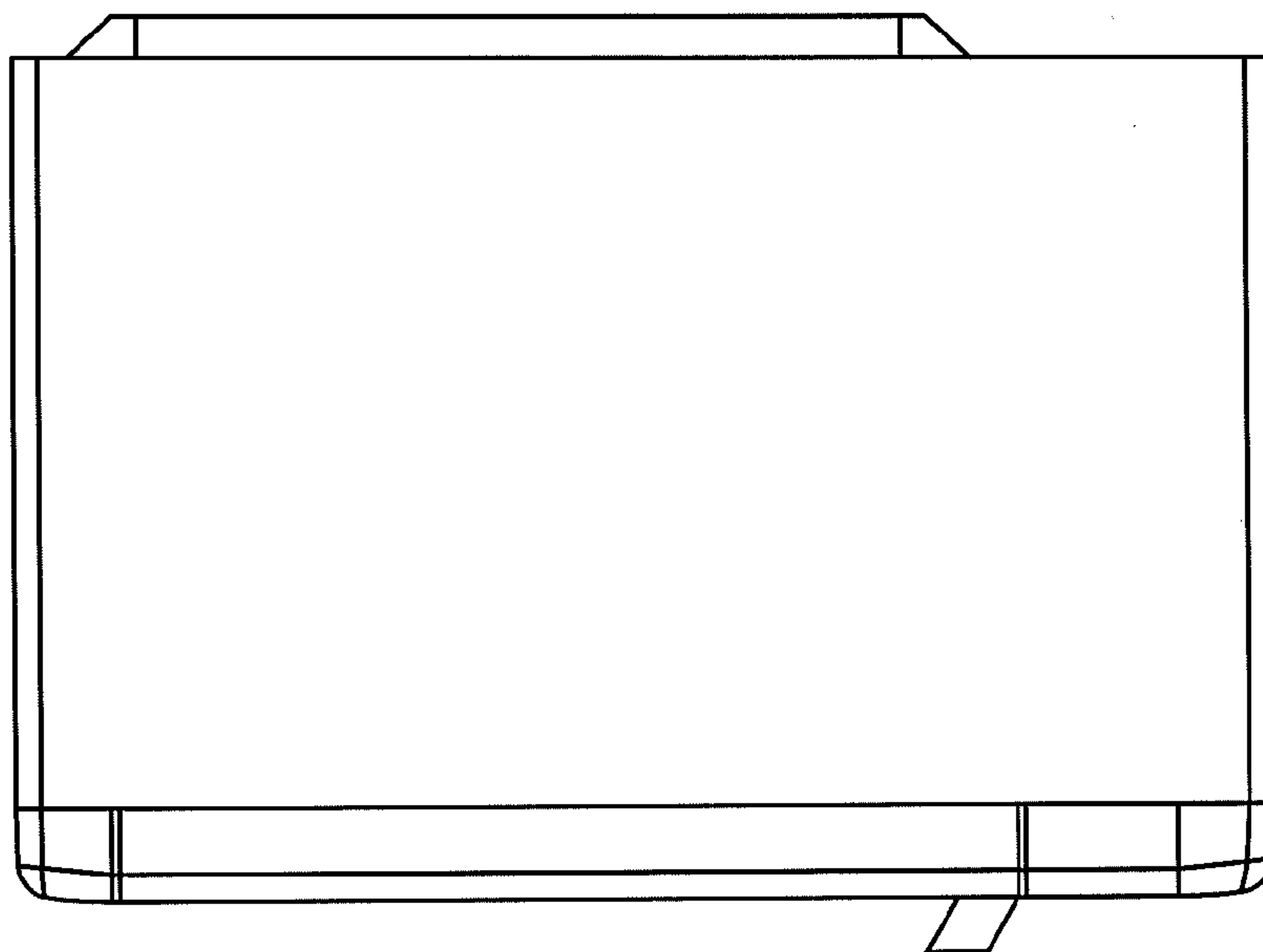


FIG. 11

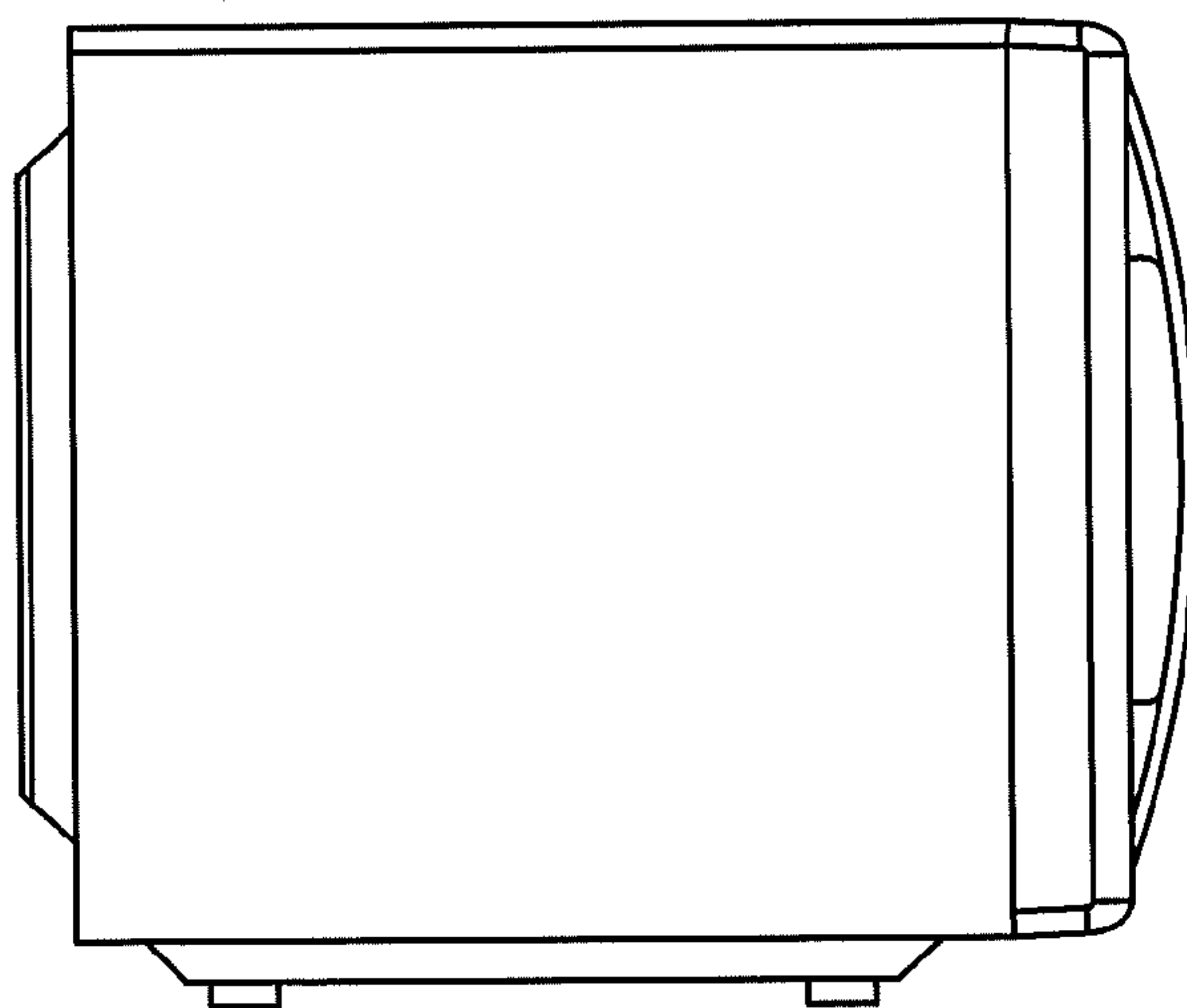


FIG. 12

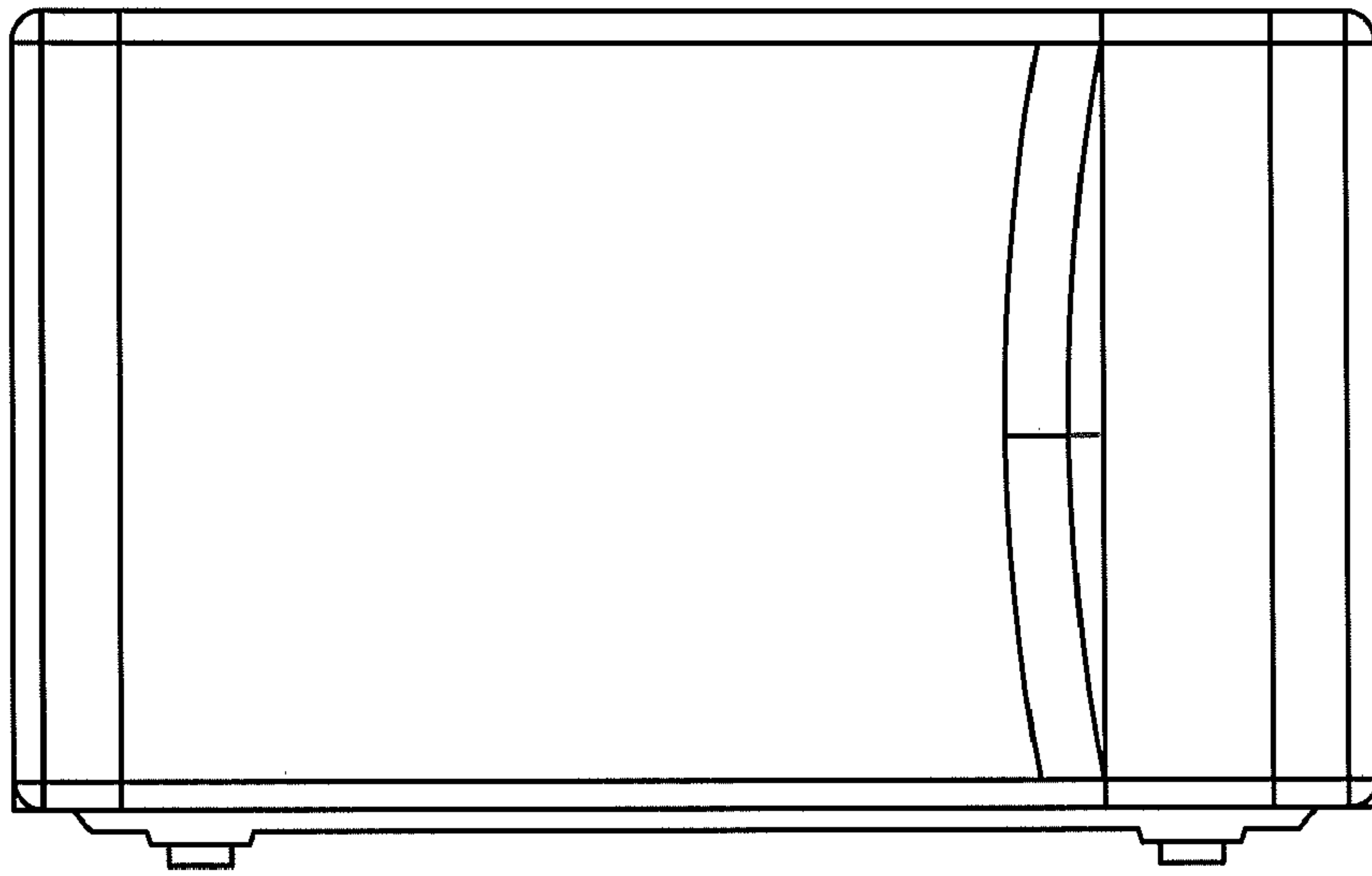


FIG. 13

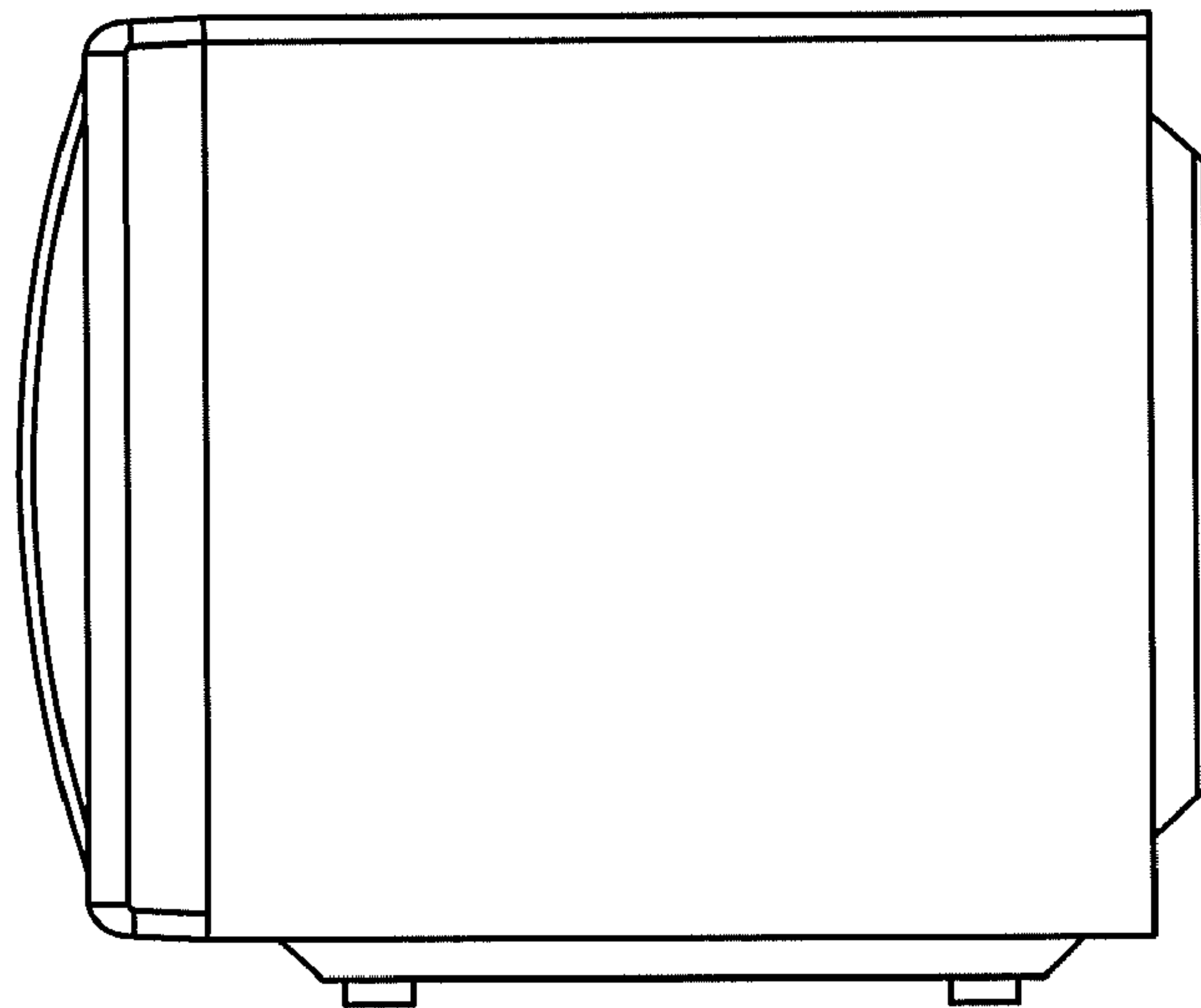


FIG. 14

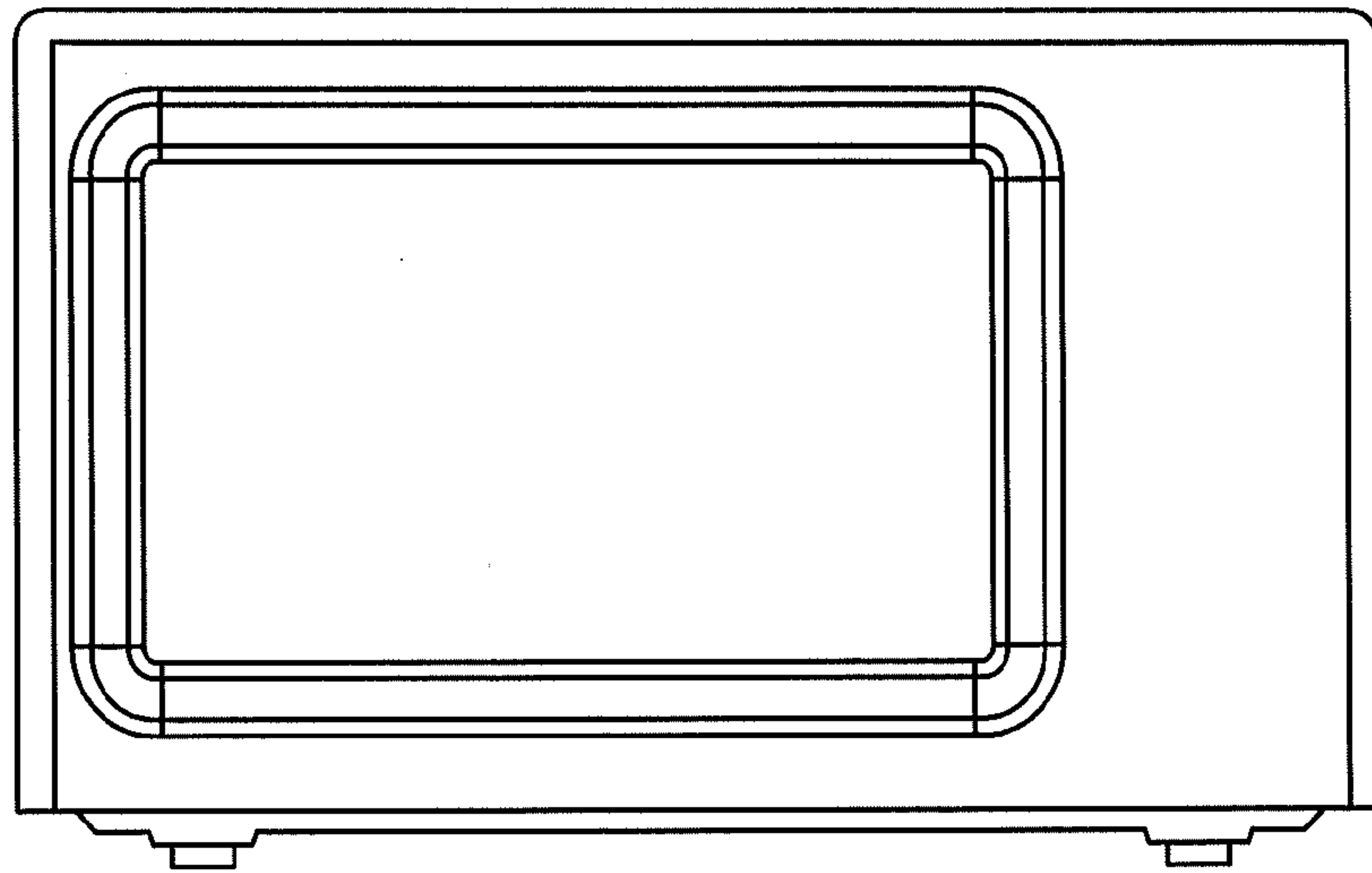


FIG. 15

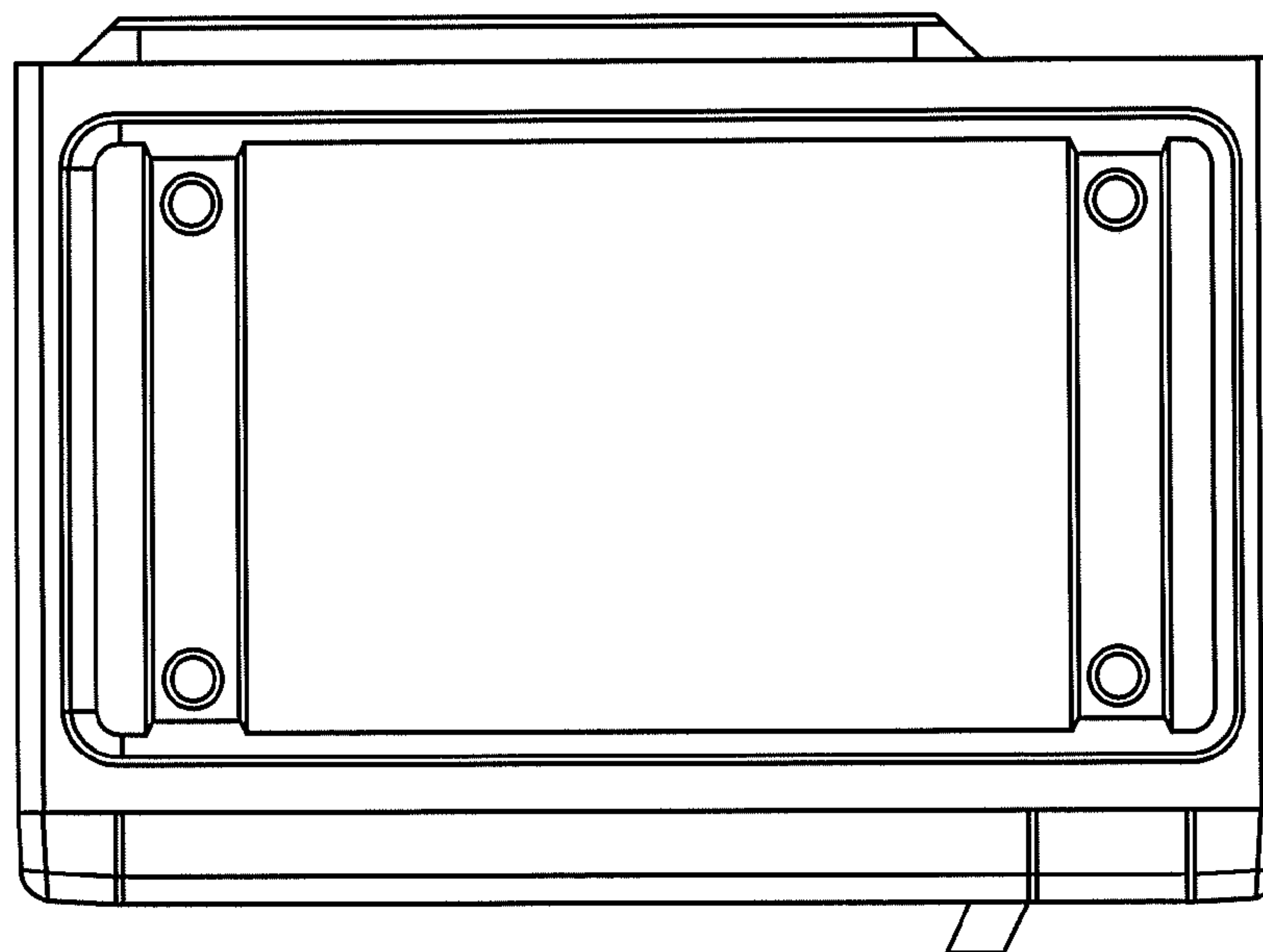


FIG. 16