



US00D615800S

(12) **United States Design Patent**
Grey et al.

(10) **Patent No.:** **US D615,800 S**

(45) **Date of Patent:** **** May 18, 2010**

(54) **RANGE**

D524,093 S * 7/2006 Home D7/340
D524,094 S * 7/2006 Home D7/340
D592,007 S * 5/2009 Corona D7/340

(75) Inventors: **Jonathan Grey**, Huntersville, NC (US);
Graham Sadtler, New Bern, NC (US)

* cited by examiner

(73) Assignee: **BSH Home Appliances Corporation**,
Huntington Beach, CA (US)

Primary Examiner—Catherine R Oliver
(74) *Attorney, Agent, or Firm*—James E. Howard; Andre
Pallabies

(**) Term: **14 Years**

(21) Appl. No.: **29/341,085**

(57) **CLAIM**

(22) Filed: **Jul. 30, 2009**

The ornamental design for a range, as shown and described.

(51) **LOC (9) Cl.** **07-02**

DESCRIPTION

(52) **U.S. Cl.** **D7/340**

(58) **Field of Classification Search** D7/340,
D7/339–341, 346–349, 402, 407–408; 126/39 R,
126/39 E, 39 C, 39 B, 211, 214 R; 219/391–392,
219/395

FIG. 1 is a perspective view of a range showing our ornamental design, with the rear and bottom view being plain and unornamented;

FIG. 2 is a top view thereof;

FIG. 3 is a left side view thereof;

FIG. 4 is a front view thereof; and,

FIG. 5 is a right side view thereof.

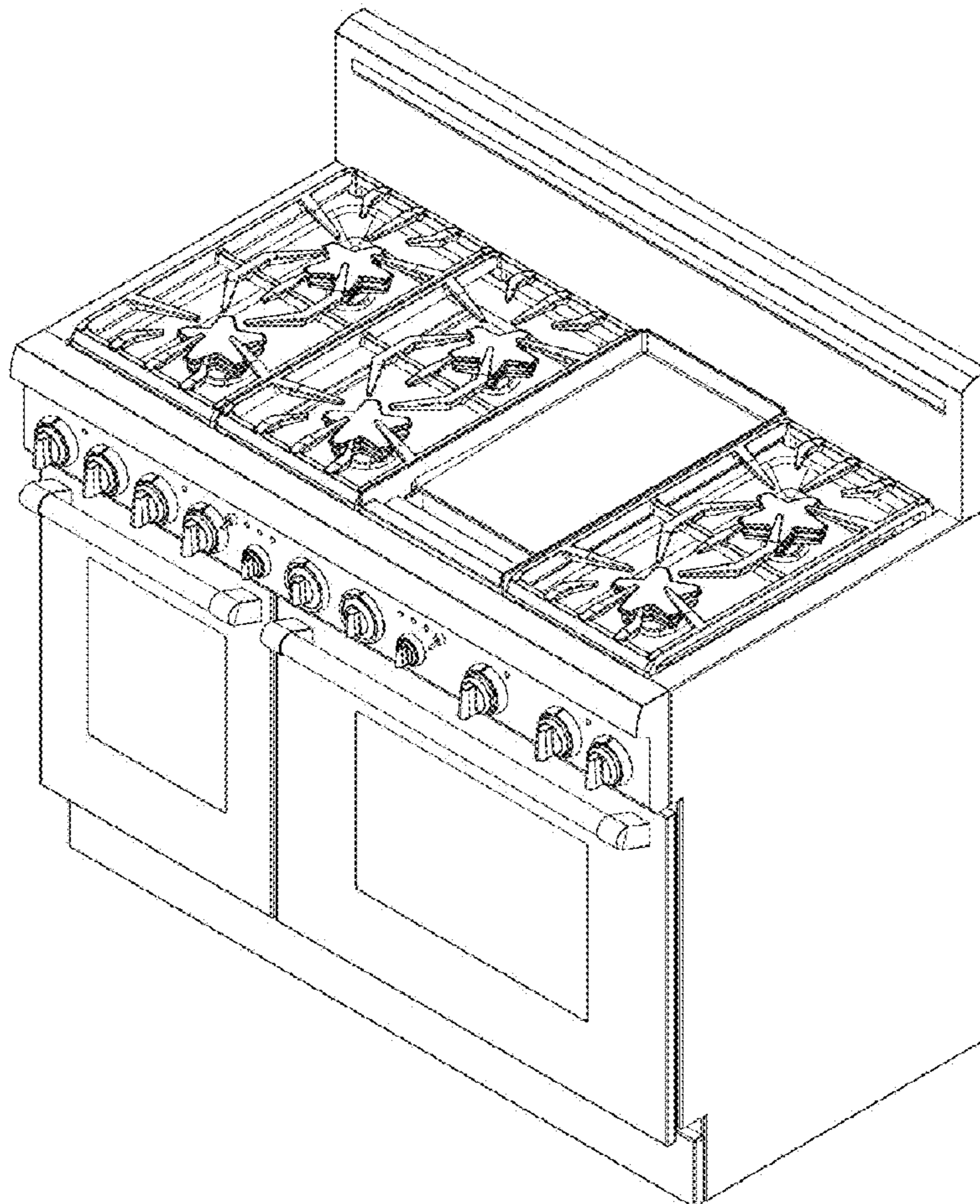
See application file for complete search history.

(56) **References Cited**

U.S. PATENT DOCUMENTS

5,301,653 A * 4/1994 Gerdes et al. 126/39 E

1 Claim, 5 Drawing Sheets



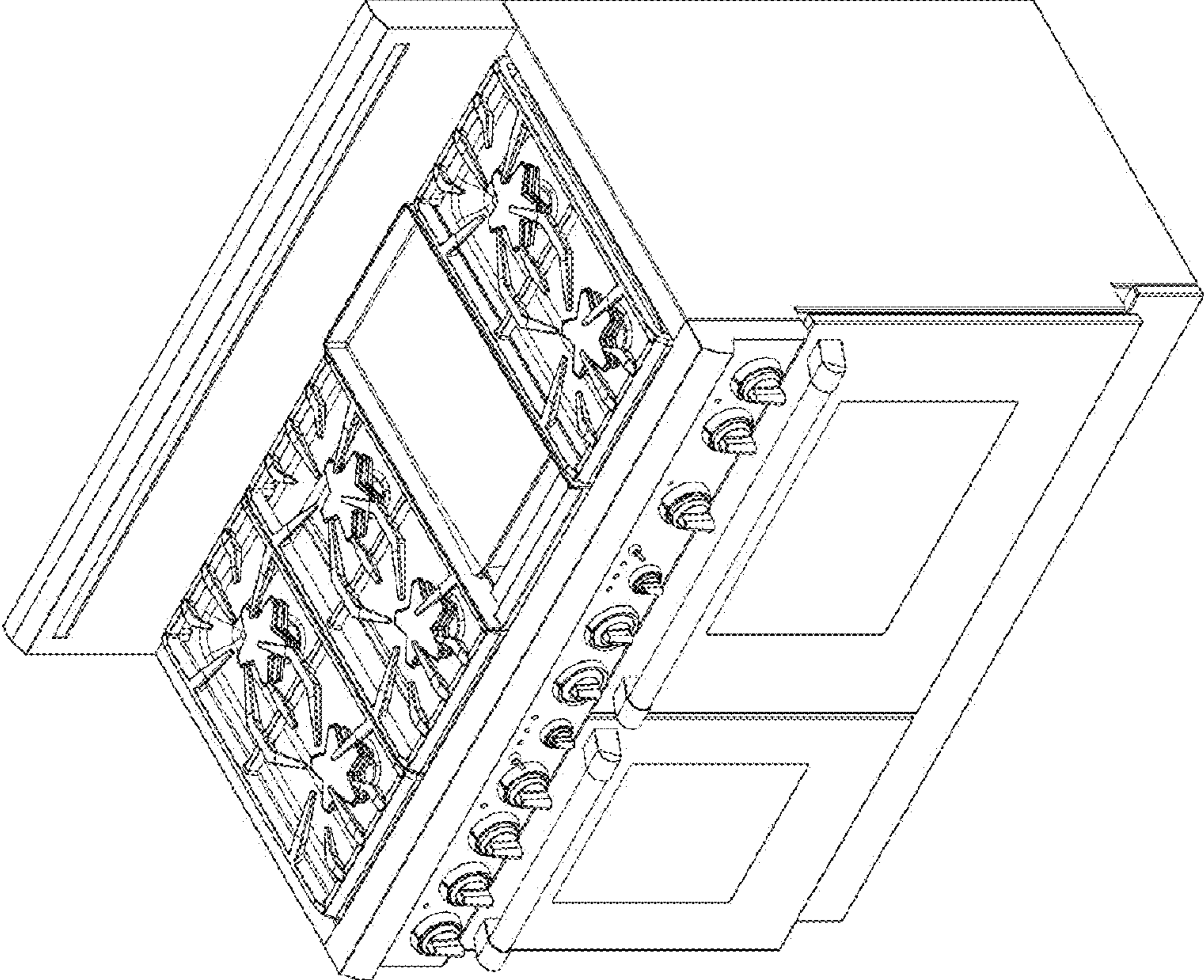


Fig. 1

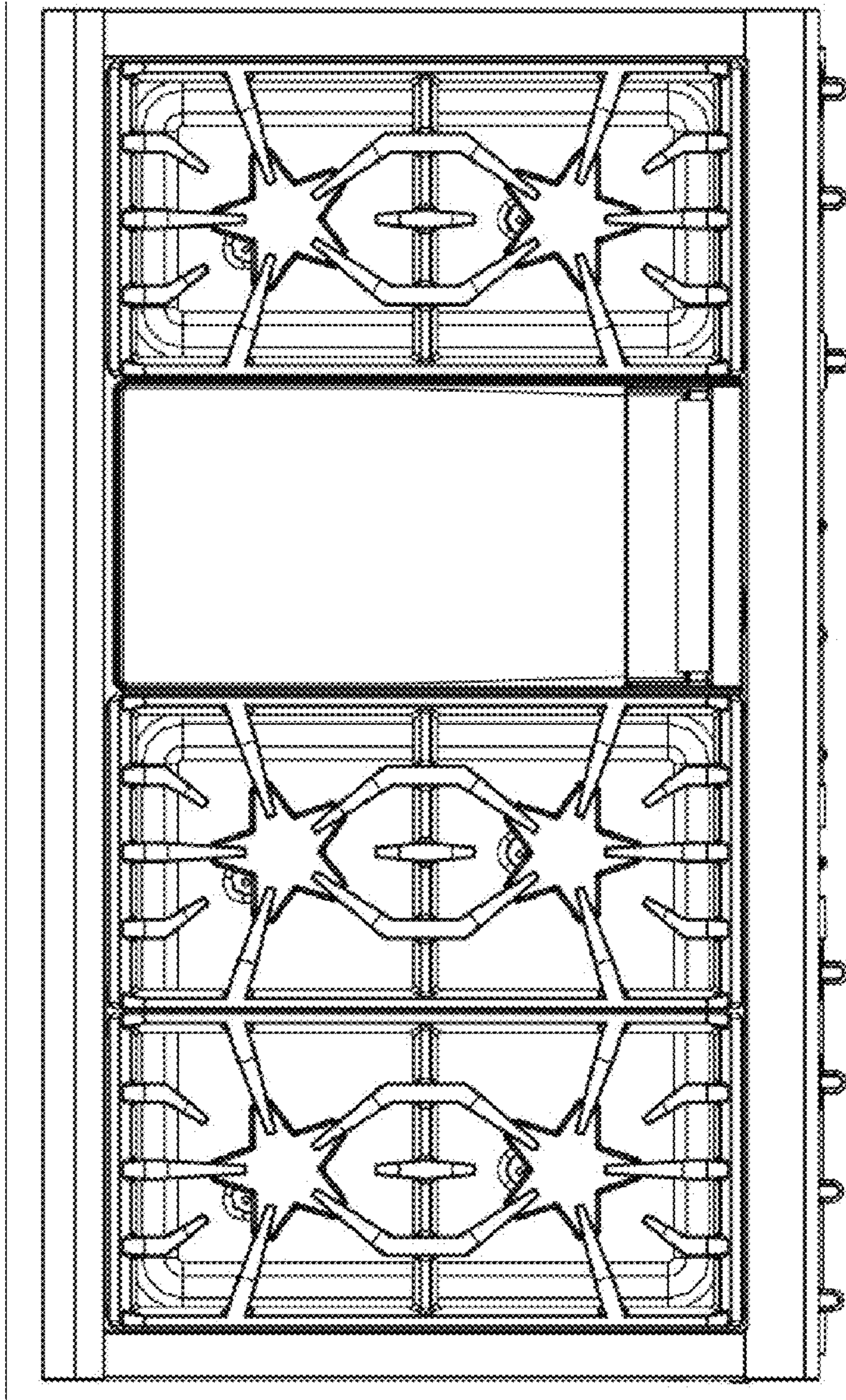


Fig. 2

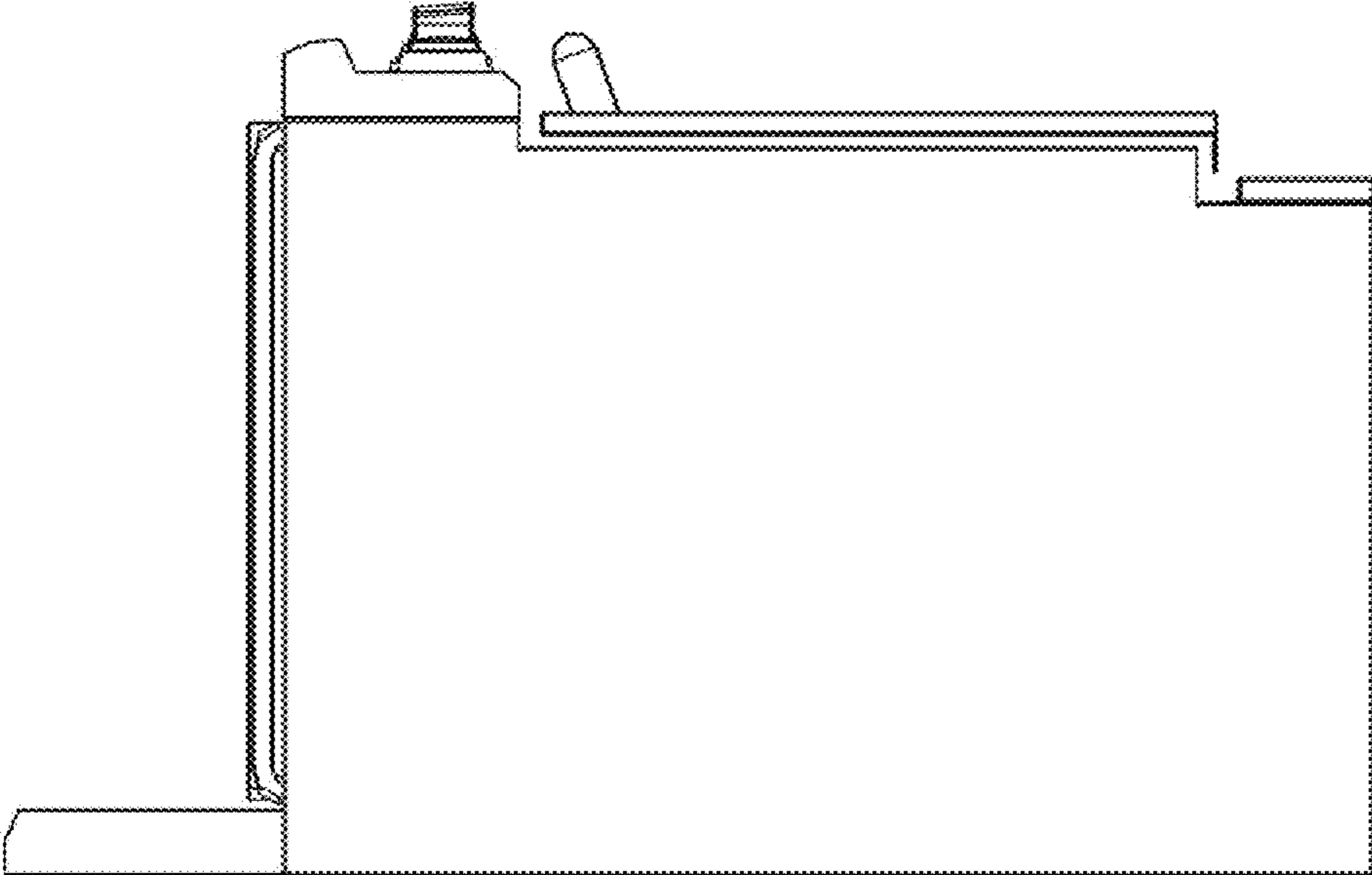


Fig. 3

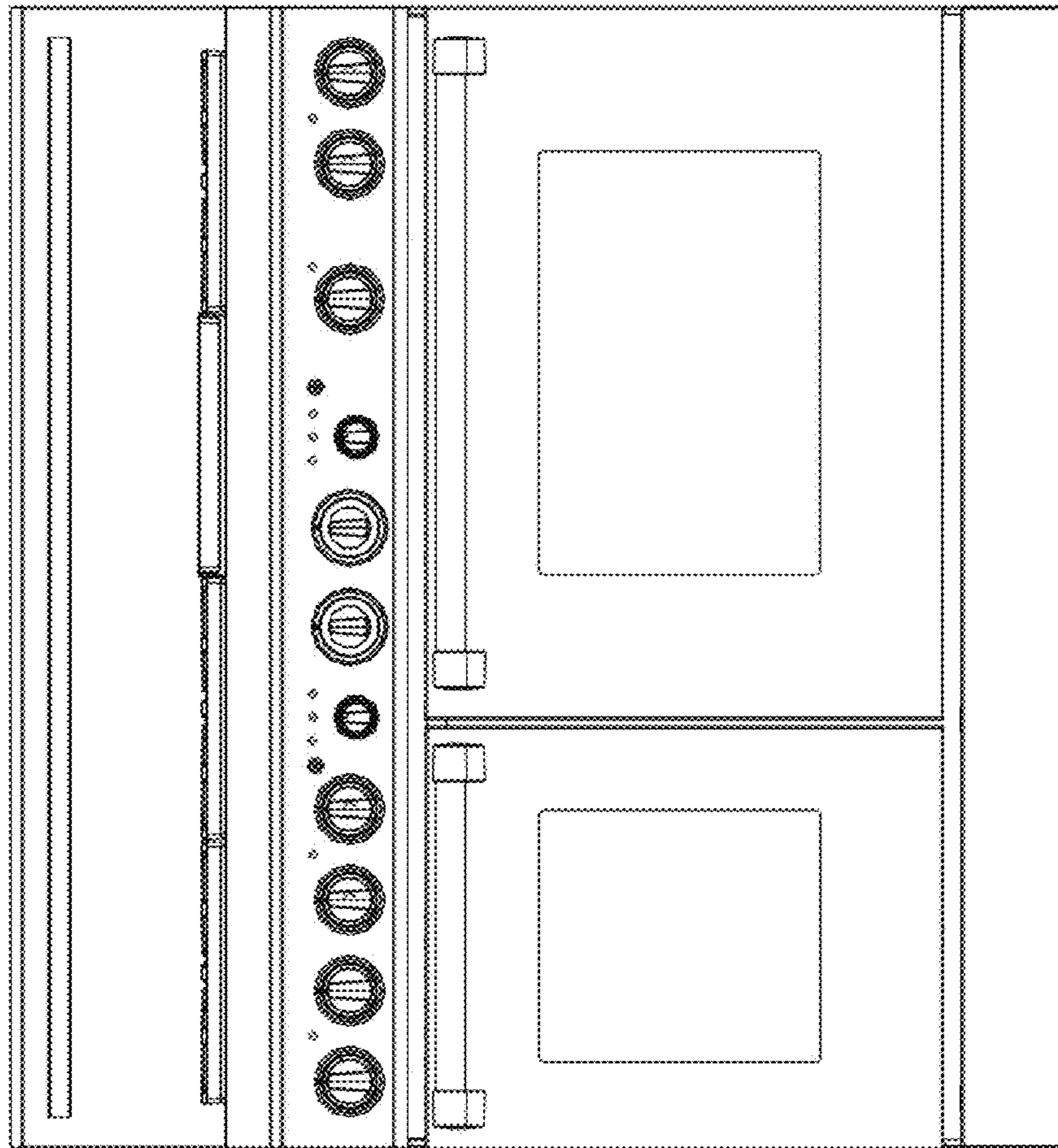


Fig. 4

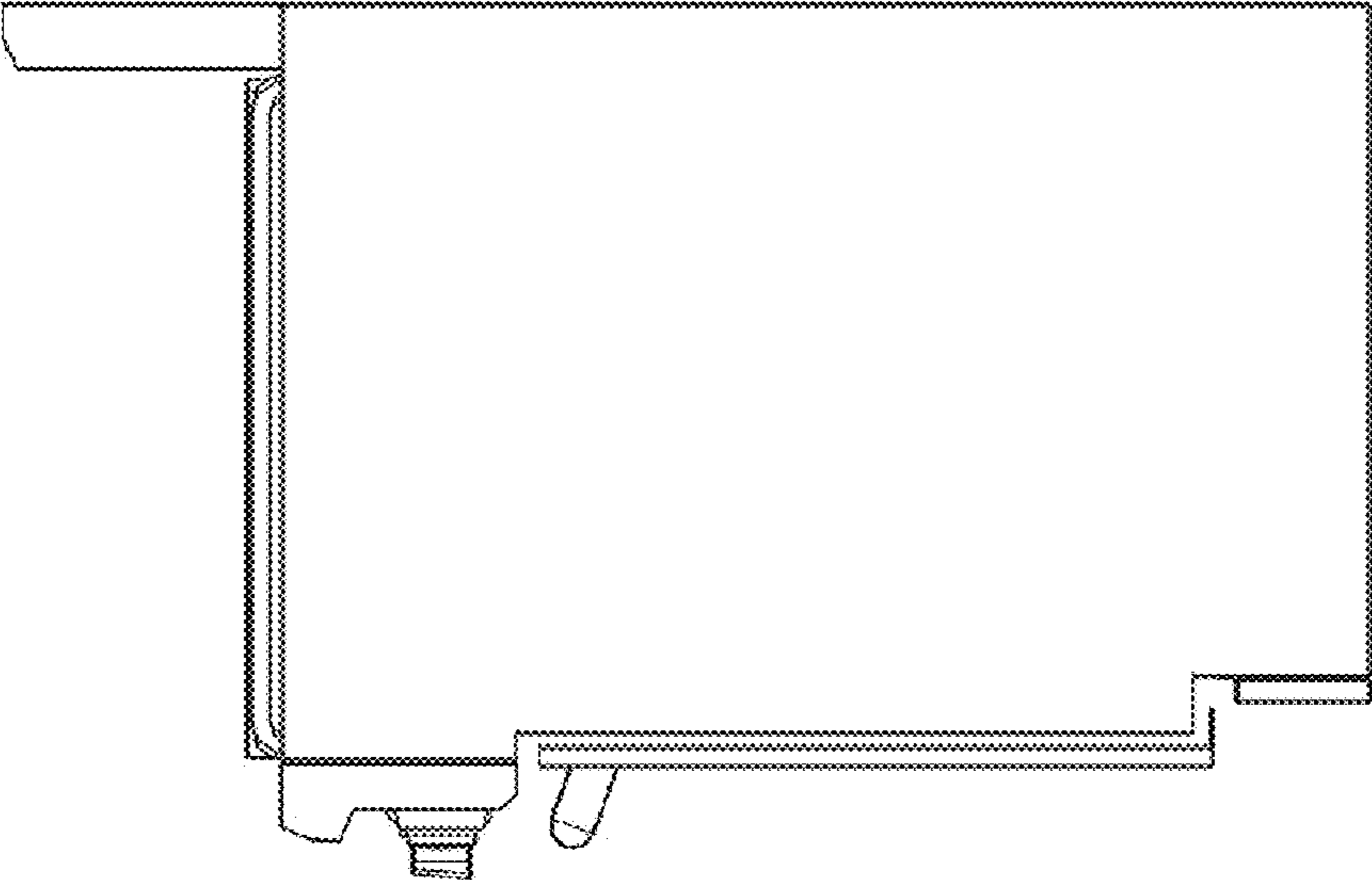


Fig. 5