



US00D615799S

(12) **United States Design Patent**  
**Best et al.**

(10) **Patent No.:** **US D615,799 S**  
(45) **Date of Patent:** **\*\* May 18, 2010**

(54) **GRILL FOR COOKING**

(76) Inventors: **Rachael Kearse Best**, 5055 Lake Shore Dr., Columbia, SC (US) 29206; **Willie H. Best**, 5055 Lake Shore Dr., Columbia, SC (US) 29206

(\*\*) Term: **14 Years**

(21) Appl. No.: **29/314,450**

(22) Filed: **Apr. 1, 2009**

(51) **LOC (9) Cl.** ..... **07-02**

(52) **U.S. Cl.** ..... **D7/337**

(58) **Field of Classification Search** ..... D7/402,  
D7/403, 407, 409, 332, 337, 335, 334; 126/40,  
126/43, 44, 50, 9 R, 25 A, 41 R; 99/445,  
99/448, 450, 372

See application file for complete search history.

(56) **References Cited**

**U.S. PATENT DOCUMENTS**

3,155,814 A 11/1964 Appleman et al.  
4,321,857 A 3/1982 Best  
D266,050 S 9/1982 Best  
D279,536 S \* 7/1985 Braswell ..... D7/335

(Continued)

**FOREIGN PATENT DOCUMENTS**

GB 23552 0/1915

(Continued)

**OTHER PUBLICATIONS**

Thermal Engineering Corporation, "Cherokee FR", <http://www.tecinfrared.com/cherokee-fr.php>, Believed to be prior to Apr. 1, 2009, pp. 1-2.

(Continued)

*Primary Examiner*—Ruth McInroy  
(74) *Attorney, Agent, or Firm*—Womble Carlyle Sandridge & Rice, PLLC

(57) **CLAIM**

The ornamental design for a grill for cooking, as shown and described.

**DESCRIPTION**

FIG. 1 is a perspective view of a grill for cooking according to a first embodiment of the present invention;

FIG. 2 is a front elevation view of the grill for cooking shown in FIG. 1;

FIG. 3 is a rear elevation view of the grill for cooking shown in FIG. 1;

FIG. 4 is a left elevation view of the grill for cooking shown in FIG. 1;

FIG. 5 is a right elevation view of the grill for cooking shown in FIG. 1;

FIG. 6 is a top plan view of the grill for cooking shown in FIG. 1;

FIG. 7 is a perspective view of a grill for cooking according to a second embodiment of the present invention;

FIG. 8 is a front elevation view of the grill for cooking shown in FIG. 7;

FIG. 9 is a rear elevation view of the grill for cooking shown in FIG. 7;

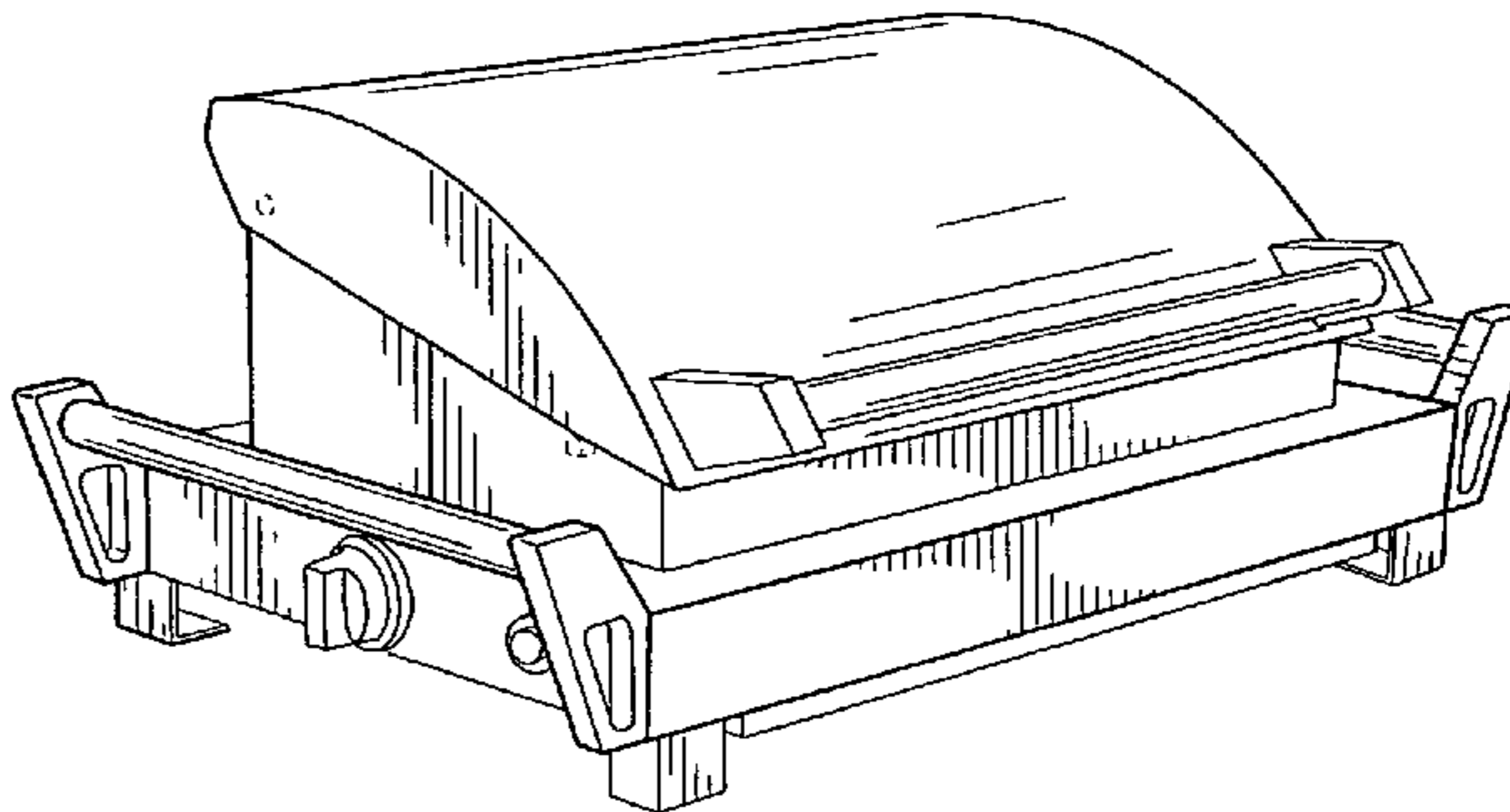
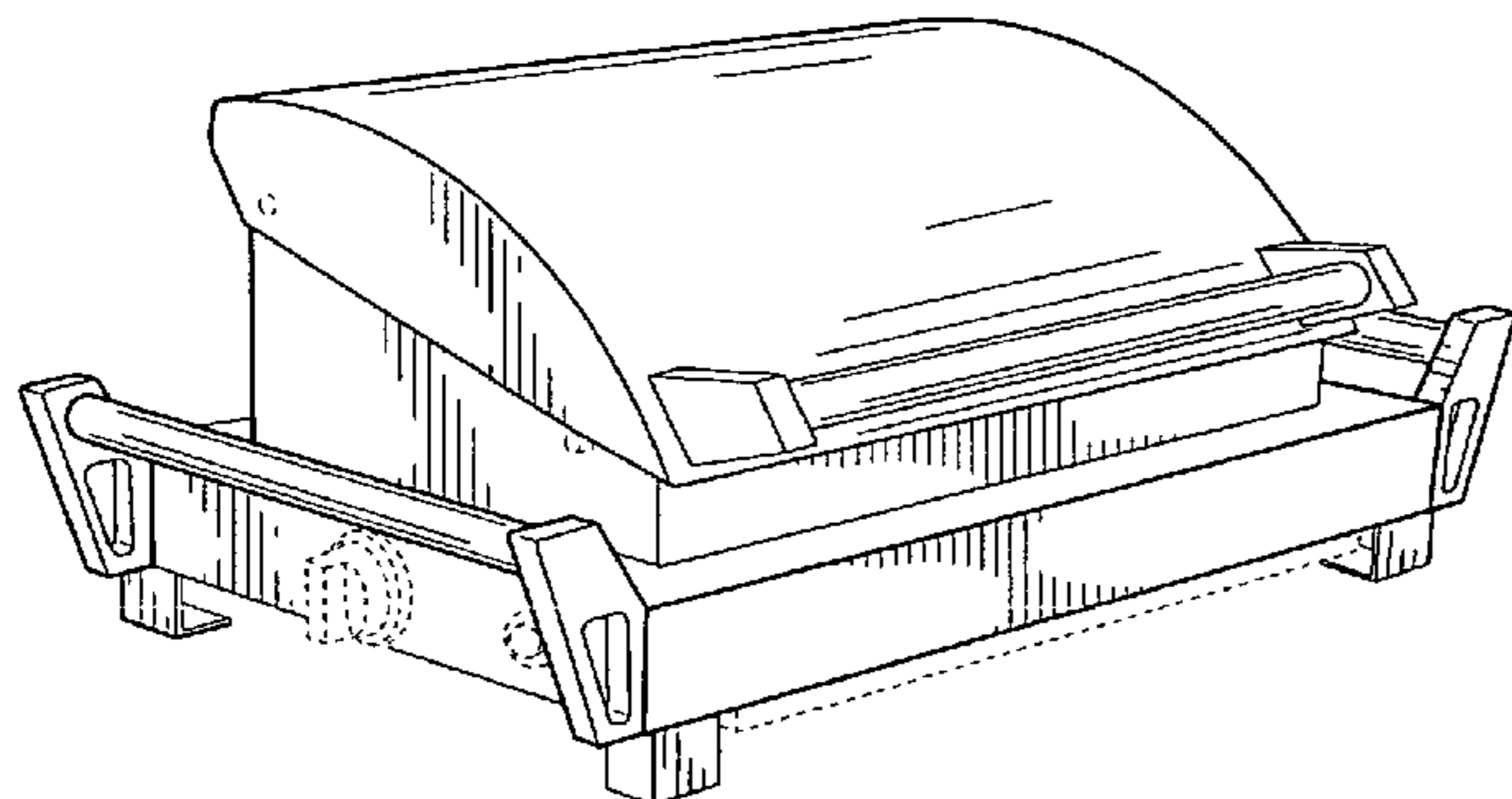
FIG. 10 is a left elevation view of the grill for cooking shown in FIG. 7;

FIG. 11 is a right elevation view of the grill for cooking shown in FIG. 7; and,

FIG. 12 is a top plan view of the grill for cooking shown in FIG. 7.

The broken lines shown herein are for illustrative purposes and form no part of the claimed design.

**1 Claim, 12 Drawing Sheets**



U.S. PATENT DOCUMENTS

4,839,502	A	6/1989	Swanson et al.	
4,886,044	A	12/1989	Best	
5,277,106	A	1/1994	Raymer et al.	
5,279,277	A	1/1994	Barker	
5,566,607	A	10/1996	Schleimer	
5,582,094	A	12/1996	Peterson et al.	
5,676,043	A	10/1997	Best	
5,782,166	A	7/1998	Lin	
D410,173	S	5/1999	Best	
D410,818	S	6/1999	Best	
6,114,666	A	9/2000	Best	
6,125,837	A *	10/2000	Mulberry	126/41 R
6,205,996	B1	3/2001	Ryan	
6,779,519	B2	8/2004	Harneit	
D516,367	S *	3/2006	Lutz et al.	D7/335
D520,802	S *	5/2006	McLemore et al.	D7/335
7,202,447	B2	4/2007	Kingdon et al.	
D541,581	S *	5/2007	Moore	D7/352
D546,616	S *	7/2007	Tseng	D7/334
D548,514	S *	8/2007	Huang	D7/335
D559,620	S *	1/2008	Bachinski et al.	D7/402
D572,519	S *	7/2008	Thomas	D7/334
D572,967	S *	7/2008	Thomas	D7/337
D578,822	S *	10/2008	Colas	D7/337
2002/0005194	A1 *	1/2002	Trogolo et al.	126/25 R
2003/0094171	A1 *	5/2003	Harrod et al.	126/41 R
2004/0060552	A1	4/2004	Yamada et al.	
2004/0250688	A1	12/2004	Farkas et al.	
2006/0021517	A1	2/2006	Best	
2008/0072890	A1 *	3/2008	Best	126/25 R
2008/0264404	A1 *	10/2008	Hoyles et al.	126/25 R
2008/0271728	A1 *	11/2008	Pai	126/25 R

FOREIGN PATENT DOCUMENTS

GB	432 481	7/1935
GB	562 136	6/1944
JP	2000 121064	4/2000

OTHER PUBLICATIONS

Thermal Engineering Corporation, “Introducing The TEC Cherokee FR—The Only 100% Infrared Portable Gas Grill”, Oct. 25, 2007, pp. 1-2.

Thermal Engineering Corporation, “Introducing The New Infra-red Grills by TEC”, 2006, pp. 1-8.

Thermal Engineering Corporation, “Sterling G-Series FR”, <http://www.tecinfrared.com/sterling-g-series-fr.php>, Believed to be prior to Apr. 1, 2009, pp. 1-2.

Thermal Engineering Corporation, “Sterling G2000 FR”, <http://www.tecinfrared.com/2000-fr.php>, Believed to be prior to Apr. 1, 2009, pp. 1-3.

Thermal Engineering Corporation, “Sterling G3000 FR”, <http://www.tecinfrared.com/3000-fr.php>, Believed to be prior to Apr. 1, 2009, pp. 1-5.

Thermal Engineering Corporation, “Sterling G4000 FR”, <http://www.tecinfrared.com/4000-fr.php>, Believed to be prior to Apr. 1, 2009, pp. 1-3.

Thermal Engineering Corporation, “Sterling FR Series”, <http://www.tecinfrared.com/sterling-fr.php>, Believed to be prior to Apr. 1, 2009, pp. 1-2.

Thermal Engineering Corporation, “Sterling II FR”, <http://www.tecinfrared.com/fr-II.php>, Believed to be prior to Apr. 1, 2009, pp. 1-6.

Thermal Engineering Corporation, “Sterling III FR”, <http://www.tecinfrared.com/fr-III.php>, Believed to be prior to Apr. 1, 2009, pp. 1-4.

Thermal Engineering Corporation, “Sterling IV FR”, <http://www.tecinfrared.com/fr-IV.php>, Believed to be prior to Apr. 1, 2009, pp. 1-2.

Char-Broil, LLC, “The Big Easy from Char-Broil Receives UL Mark”, [www.charbroil.com/Consumer/NewsRoom.aspx](http://www.charbroil.com/Consumer/NewsRoom.aspx), Feb. 25, 2008, pp. 1-2.

Char-Broil, LLC, “Char-Broil RED Launches at The Home Depot—InfraRED Grilling that’s All About U”, [www.charbroil.com/Consumer/NewsRoom.aspx](http://www.charbroil.com/Consumer/NewsRoom.aspx), Feb. 21, 2008, p. 1.

Char-Broil, LLC, “Char-Broil Quantum, Infrared Grilling Made Easy”, [www.charbroil.com/Consumer/NewsRoom.aspx](http://www.charbroil.com/Consumer/NewsRoom.aspx), Feb. 21, 2008, p. 1.

Char-Broil, LLC, “The Big Easy Oil-Less Turkey Fryer Product Guide—Model 08101480”, [http://www.charbroil.com/bps/char-broil/char-broil/knowledge/08101480%20english%20spanish\\_033aa35d-2\\_.pdf](http://www.charbroil.com/bps/char-broil/char-broil/knowledge/08101480%20english%20spanish_033aa35d-2_.pdf), Sep. 5, 2008, pp. 1-18.

Char-Broil, LLC, “Char-Broil Infrared Commercial Series—Model 463248208”, [http://www.charbroil.com/Consumer/product\\_detail\\_print.aspx?ProductID=1743](http://www.charbroil.com/Consumer/product_detail_print.aspx?ProductID=1743), Mar. 10, 2009, pp. 1-3.

Char-Broil, LLC, “Model 463248208—Product Guide”, <http://www.charbroil.com/bps/char-broil/char-broil/knowledge/463248208%20english%20040208.pdf>, Apr. 2, 2008, pp. 1-32.

Char-Broil, LLC, “Char-Broil Quantum Infrared—Model 463272108”, [http://www.charbroil.com/Consumer/product\\_detail\\_print.aspx?ProductID=1821](http://www.charbroil.com/Consumer/product_detail_print.aspx?ProductID=1821), Mar. 10, 2009, pp. 1-3.

Char-Broil, LLC, “Model 463272108—Product Guide”, <http://www.charbroil.com/bps/char-broil/char-broil/knowledge/463272108%20english%20032008.pdf>, Mar. 20, 2008, pp. 1-32.

Char-Broil, LLC, “Char-Broil Infrared Commercial Series—Model 463248708”, [http://www.charbroil.com/Consumer/product\\_detail\\_print.aspx?ProductID=1829](http://www.charbroil.com/Consumer/product_detail_print.aspx?ProductID=1829), Mar. 10, 2009, pp. 1-3.

Char-Broil, LLC, “Model 463248708—Product Guide”, <http://www.charbroil.com/bps/char-broil/char-broil/knowledge/463248708%20english%20032708.pdf>, Mar. 27, 2008, pp. 1-32.

Char-Broil, LLC, “Char-Broil Quantum Infrared Three-burner Grill—Model 463270909”, [http://www.charbroil.com/Consumer/product\\_detail\\_print.aspx?ProductID=2330](http://www.charbroil.com/Consumer/product_detail_print.aspx?ProductID=2330), Mar. 10, 2009, pp. 1-2.

Char-Broil, LLC, “Model 463270909—Product Guide”, <http://www.charbroil.com/bps/char-broil/char-broil/knowledge/463270909%20english.pdf>, Sep. 2, 2008, pp. 1-28.

Char-Broil, LLC, “Quantum Infrared Four-burner with Outdoor Stove—Model 463271309”, [http://www.charbroil.com/Consumer/product\\_detail\\_print.aspx?ProductID=2331](http://www.charbroil.com/Consumer/product_detail_print.aspx?ProductID=2331), Mar. 10, 2009, pp. 1-2.

Char-Broil, LLC, “Model 463271309—Product Guide”, <http://www.charbroil.com/bps/char-broil/char-broil/knowledge/463271309%20english.pdf>, Oct. 7, 2008, pp. 1-32.

Char-Broil, LLC, “Quantum Stainless Four-burner with Lights & Gauge—Model 463271509”, [http://www.charbroil.com/Consumer/product\\_detail\\_print.aspx?ProductID=2332](http://www.charbroil.com/Consumer/product_detail_print.aspx?ProductID=2332), Mar. 10, 2009, pp. 1-2.

Char-Broil, LLC, “Model 463271509—Product Guide”, <http://www.charbroil.com/bps/char-broil/char-broil/knowledge/463271509%20english.pdf>, Oct. 7, 2008, pp. 1-36.

Char-Broil, LLC, “Char-Broil Urban Gas Grill—Model 463246909”, [http://www.charbroil.com/Consumer/product\\_detail\\_print.aspx?ProductID=2439](http://www.charbroil.com/Consumer/product_detail_print.aspx?ProductID=2439), Mar. 10, 2009, pp. 1-2.

Char-Broil, LLC, “Model 463246909—Product Guide”, <http://www.charbroil.com/bps/char-broil/char-broil/knowledge/463246909%20english.pdf>, Dec. 3, 2008, pp. 1-28.

Char-Broil, LLC, “Char-Broil RED Infrared Gas Grill With Rotisserie—Model 463250308”, [http://www.charbroil.com/Consumer/product\\_detail\\_print.aspx?ProductID=1781](http://www.charbroil.com/Consumer/product_detail_print.aspx?ProductID=1781), Mar. 10, 2009, pp. 1-3.

Char-Broil, LLC, “Model 463250308—Product Guide”, [http://www.charbroil.com/bps/char-broil/char-broil/knowledge/463250308%20english\\_d0b831ab-0\\_.pdf](http://www.charbroil.com/bps/char-broil/char-broil/knowledge/463250308%20english_d0b831ab-0_.pdf), May 18, 2008, pp. 1-32.

Char-Broil, LLC, “Char-Broil RED Infrared Gas Grill—Model 463250108”, [http://www.charbroil.com/Consumer/product\\_detail\\_print.aspx?ProductID=1782](http://www.charbroil.com/Consumer/product_detail_print.aspx?ProductID=1782), Mar. 10, 2009, pp. 1-3.

Char-Broil, LLC, “Model 463250108—Product Guide”, <http://www.charbroil.com/bps/char-broil/char-broil/knowledge/463250108%20english%20032008.pdf>, May 20, 2008, pp. 1-28.

Char-Broil, LLC, “RED—Model 463250709”, [http://www.charbroil.com/Consumer/product\\_detail\\_print.aspx?ProductID=2371](http://www.charbroil.com/Consumer/product_detail_print.aspx?ProductID=2371), Mar. 10, 2009, pp. 1-3.

Char-Broil, LLC, “Model 463250709—Product Guide”, <http://www.charbroil.com/bps/char-broil/char-broil/knowledge/463250709%20english.pdf>, Oct. 15, 2008, pp. 1-28.

Char-Broil, LLC, “RED—Model 463250509”, [http://www.charbroil.com/Consumer/product\\_detail\\_print.aspx?ProductID=2379](http://www.charbroil.com/Consumer/product_detail_print.aspx?ProductID=2379), Mar. 10, 2009, pp. 1-2.

Char-Broil, LLC, “Model 463250509—Product Guide”, <http://www.charbroil.com/bps/char-broil/char-broil/knowledge/463250509%20english.pdf>, Sep. 9, 2008, pp. 1-28.

Char-Broil, LLC, “Char-Broil Heatwave Infrared Three-burner—Model 463272509”, <http://www.charbroil.com/Consumer/>

[product\\_detail\\_print.aspx?ProductID=2334](product_detail_print.aspx?ProductID=2334), Mar. 10, 2009, pp. 1-2.

Char-Broil, LLC, “Model 463272509—Product Guide”, <http://www.charbroil.com/bps/char-broil/char-broil/knowledge/463272509%20english.pdf>, Sep. 9, 2008, pp. 1-28.

Char-Broil, LLC, “Char-Broil TEC Series—Model 463268307”, [http://www.charbroil.com/Consumer/product\\_detail\\_print.aspx?ProductID=1512](http://www.charbroil.com/Consumer/product_detail_print.aspx?ProductID=1512), Mar. 10, 2009, pp. 1-2.

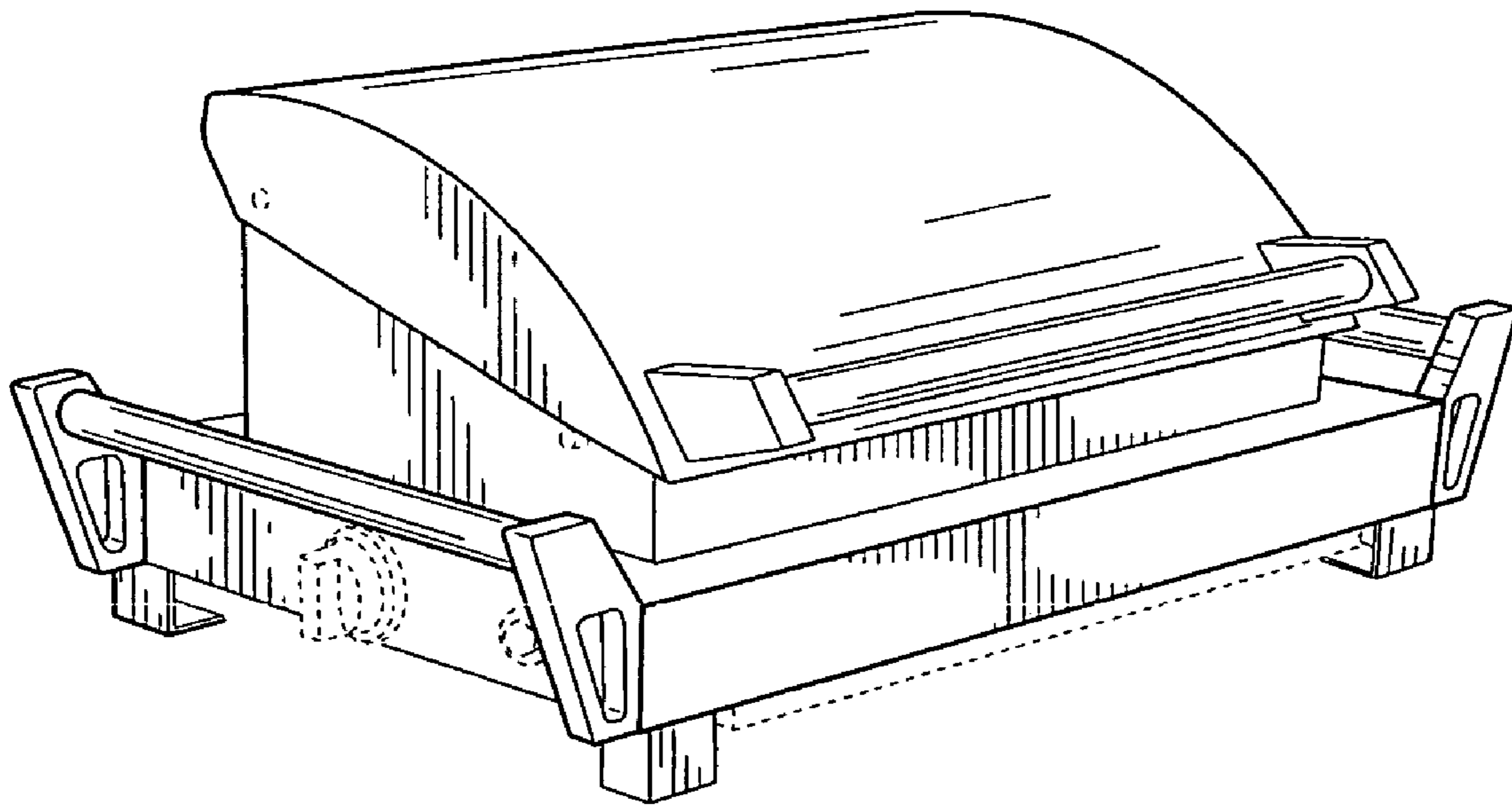
Char-Broil, LLC, “Model 463268307—Product Guide”, [http://www.charbroil.com/bps/char-broil/char-broil/knowledge/80008832\\_463268307\\_english\[1\].pdf](http://www.charbroil.com/bps/char-broil/char-broil/knowledge/80008832_463268307_english[1].pdf), Oct. 13, 2006, pp. 1-28.

Char-Broil, LLC, “Char-Broil TEC Infrared Drop-In—Model 463268507”, [http://www.charbroil.com/Consumer/product\\_detail\\_print.aspx?ProductID=1651](http://www.charbroil.com/Consumer/product_detail_print.aspx?ProductID=1651), Mar. 10, 2009, pp. 1-2.

Char-Broil, LLC, “Model 463268507—Product Guide”, [http://www.charbroil.com/bps/char-broil/char-broil/knowledge/463268507\\_assembly%20manual.pdf](http://www.charbroil.com/bps/char-broil/char-broil/knowledge/463268507_assembly%20manual.pdf), Jan. 16, 2007, pp. 1-28.

Char-Broil, LLC, “Assembly Instructions for Models 6320, 6321, & 6323”, 1992, pp. 1-18.

\* cited by examiner



*FIG. 1*

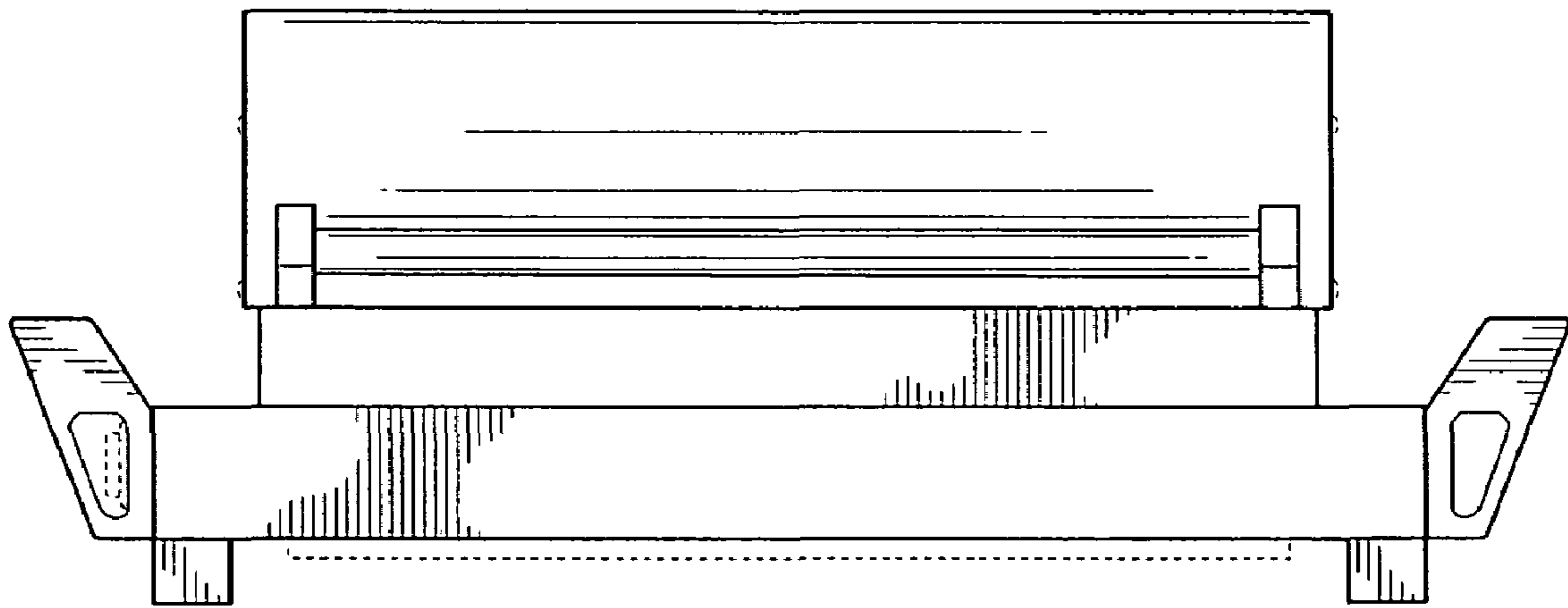


FIG. 2

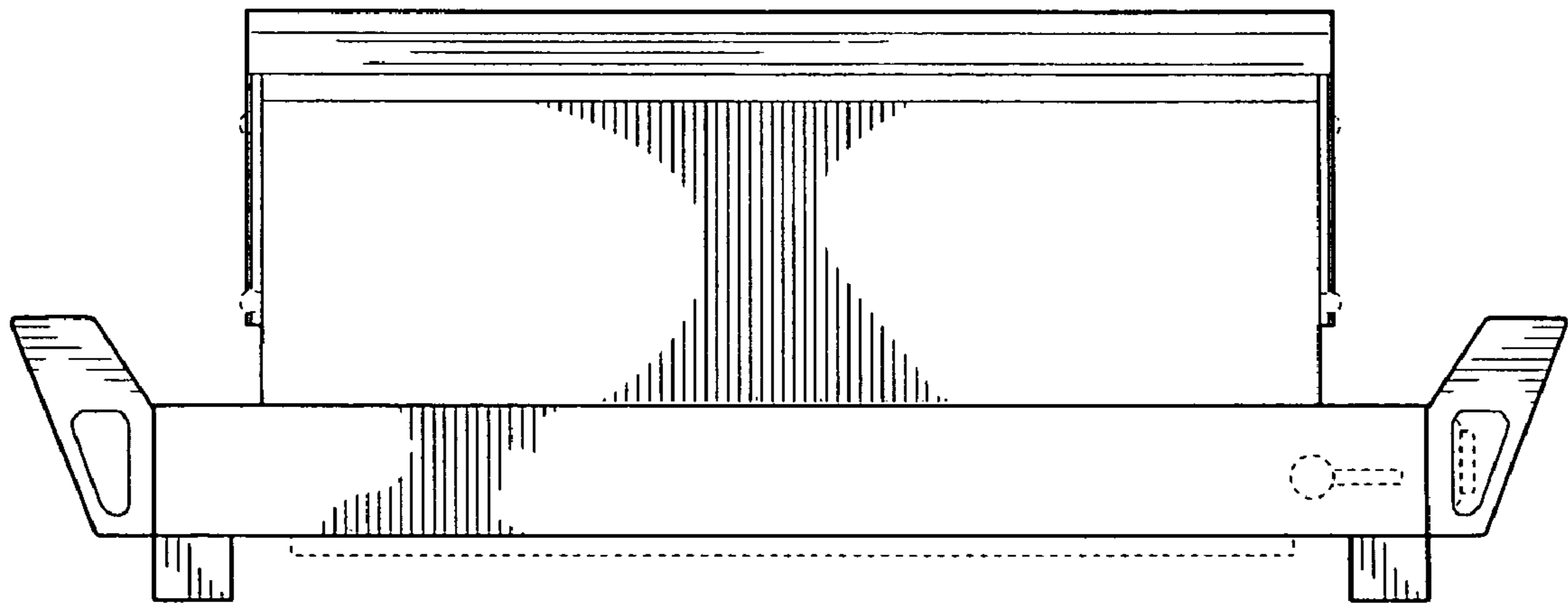
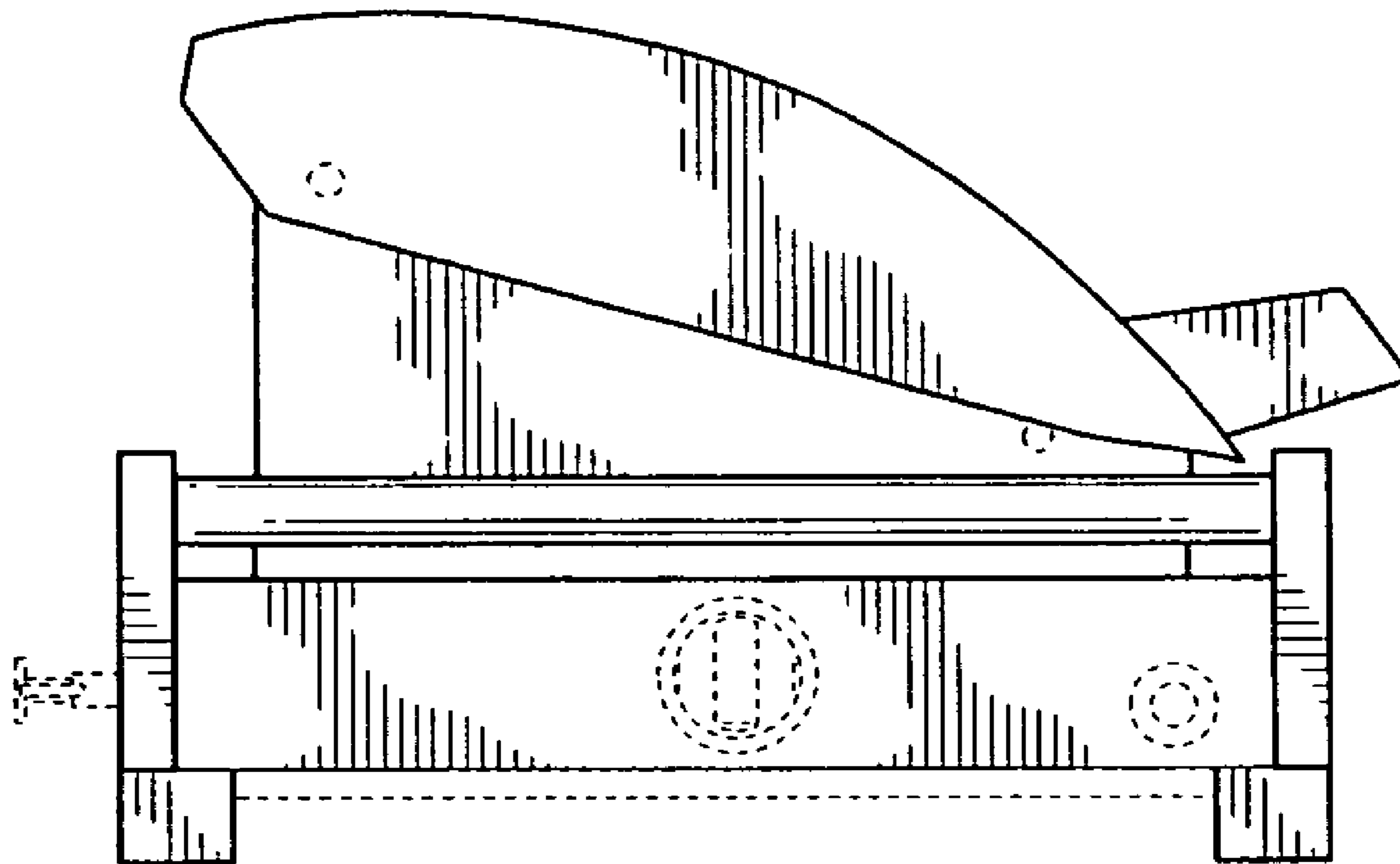
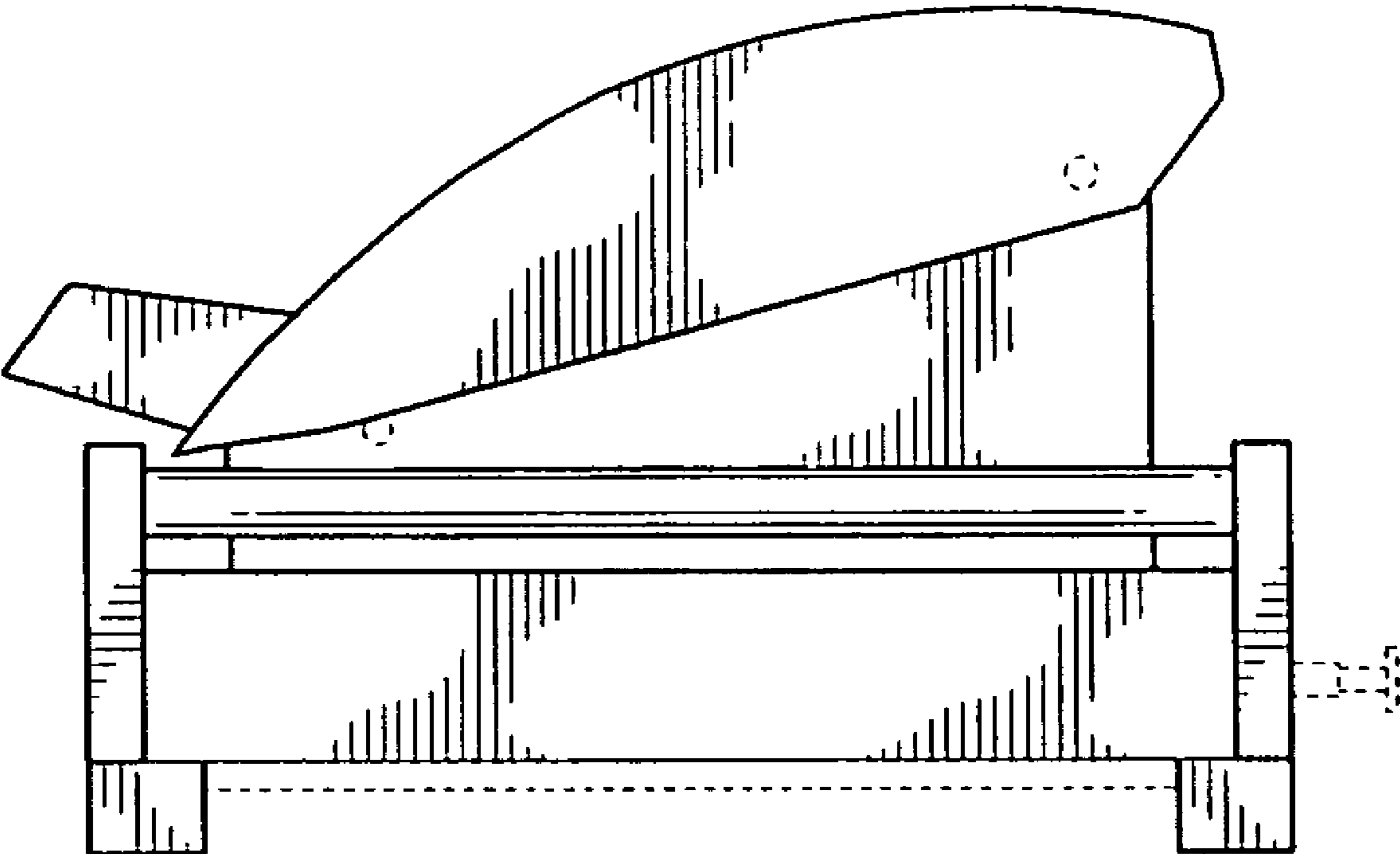


FIG. 3



**FIG. 4**



*FIG. 5*



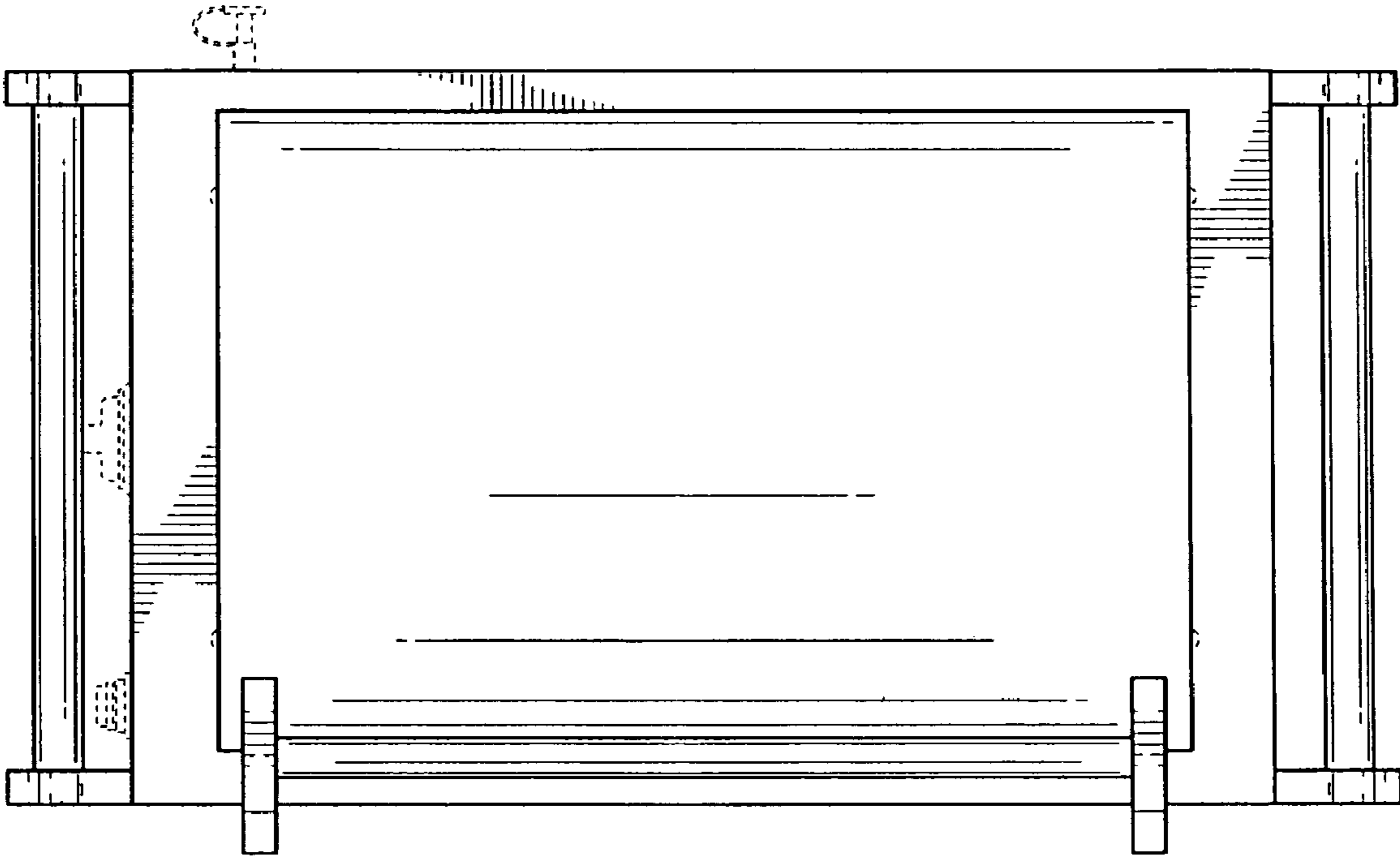
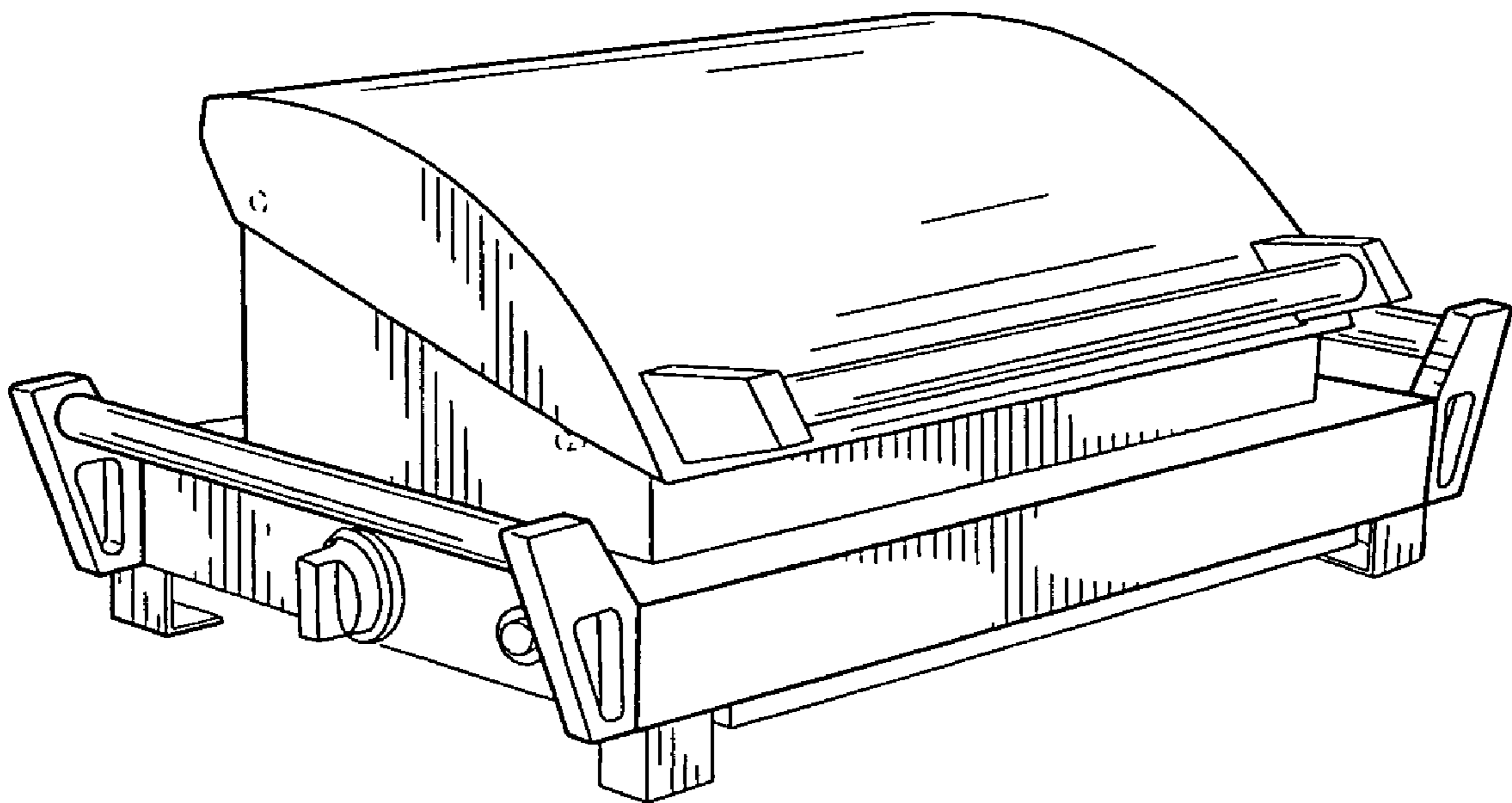


FIG. 6



**FIG. 7**

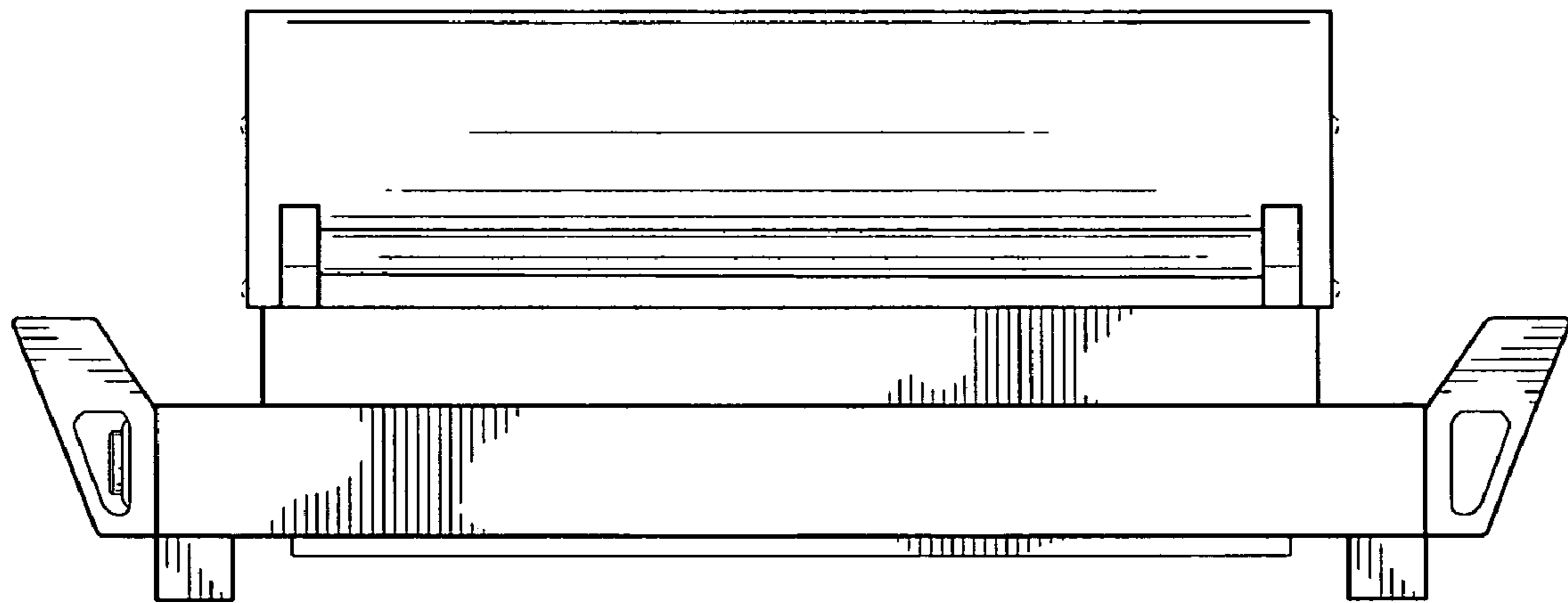


FIG. 8

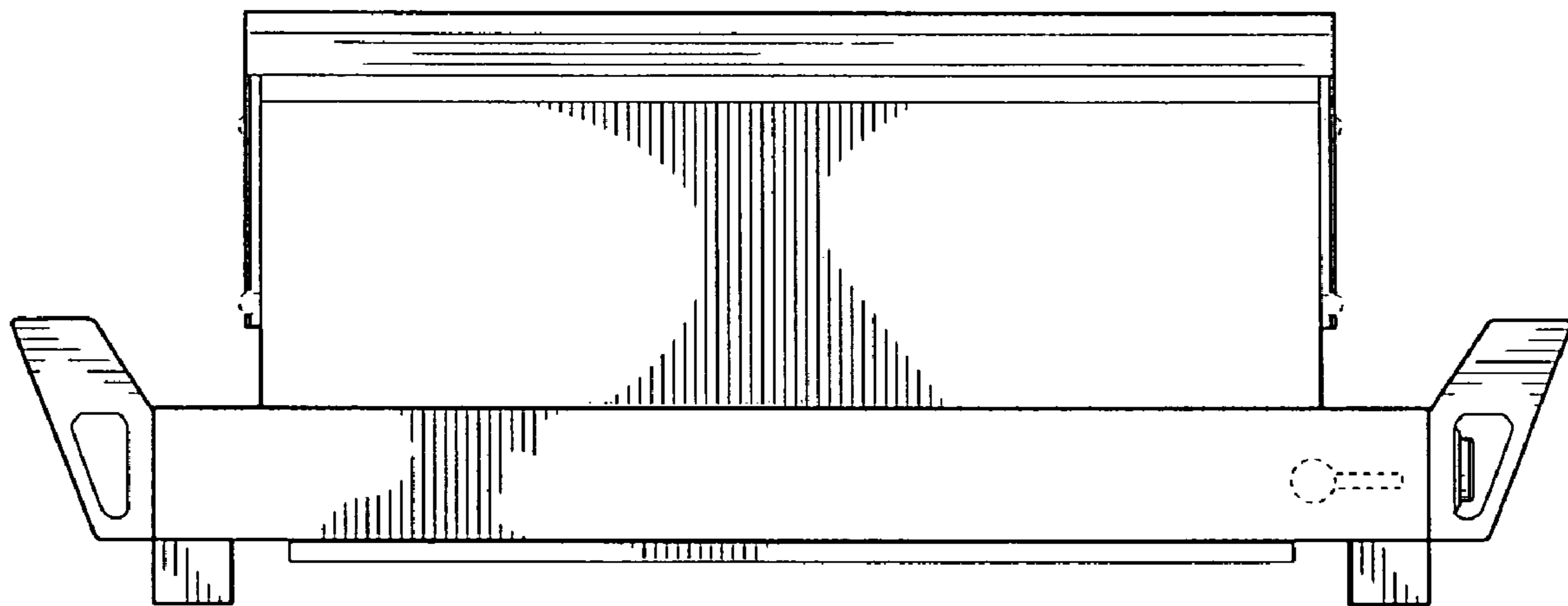
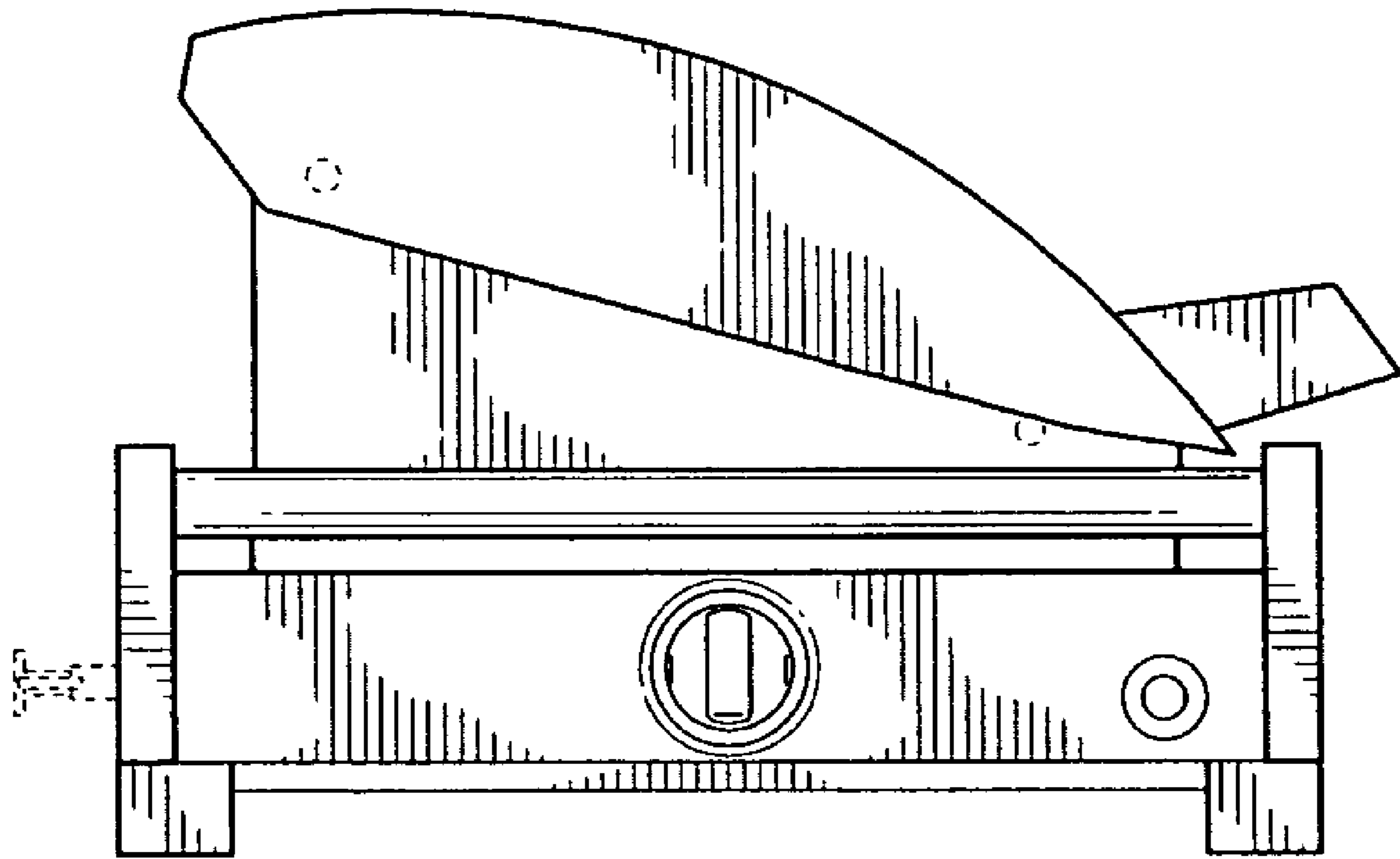
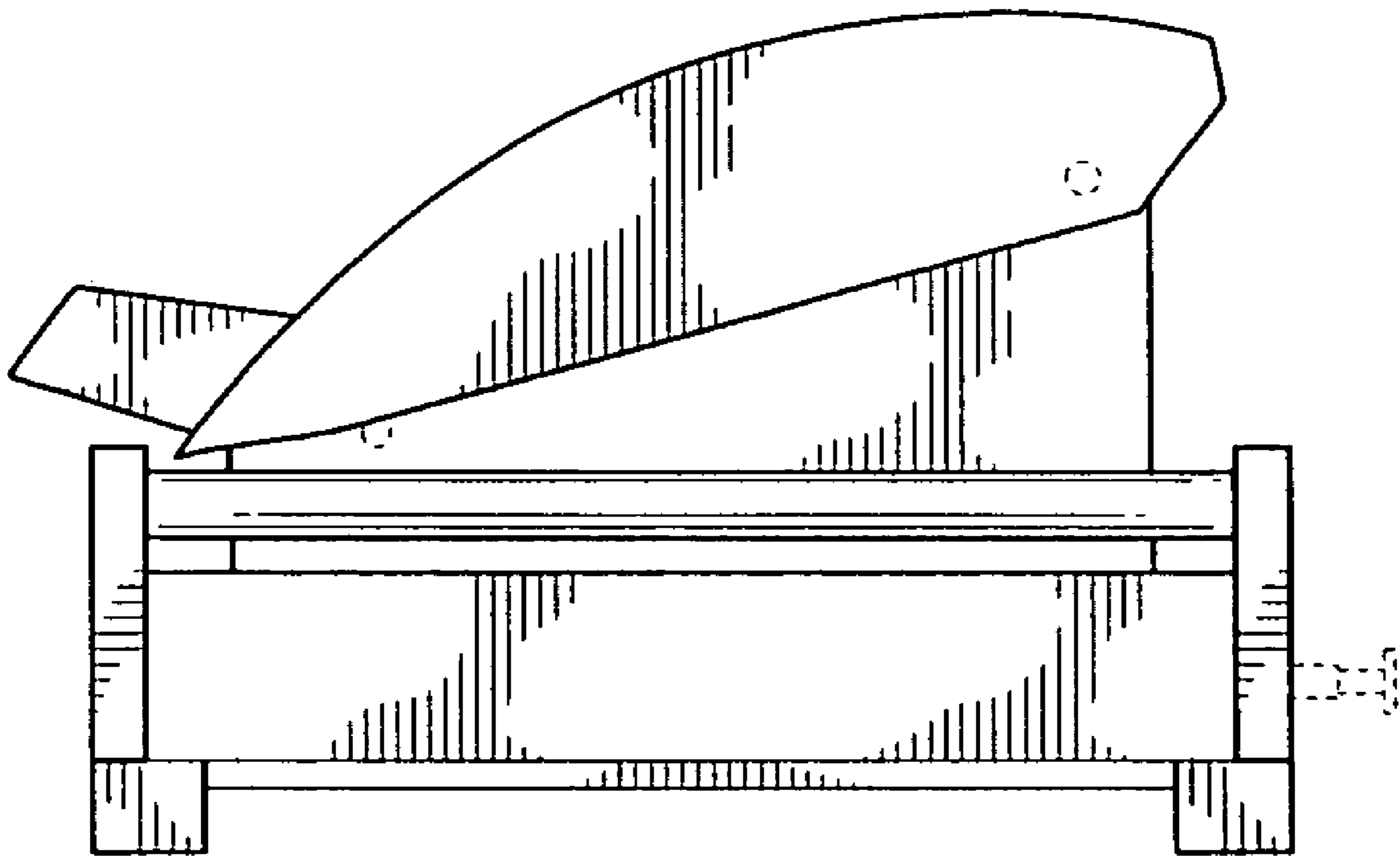


FIG. 9



**FIG. 10**



**FIG. 11**

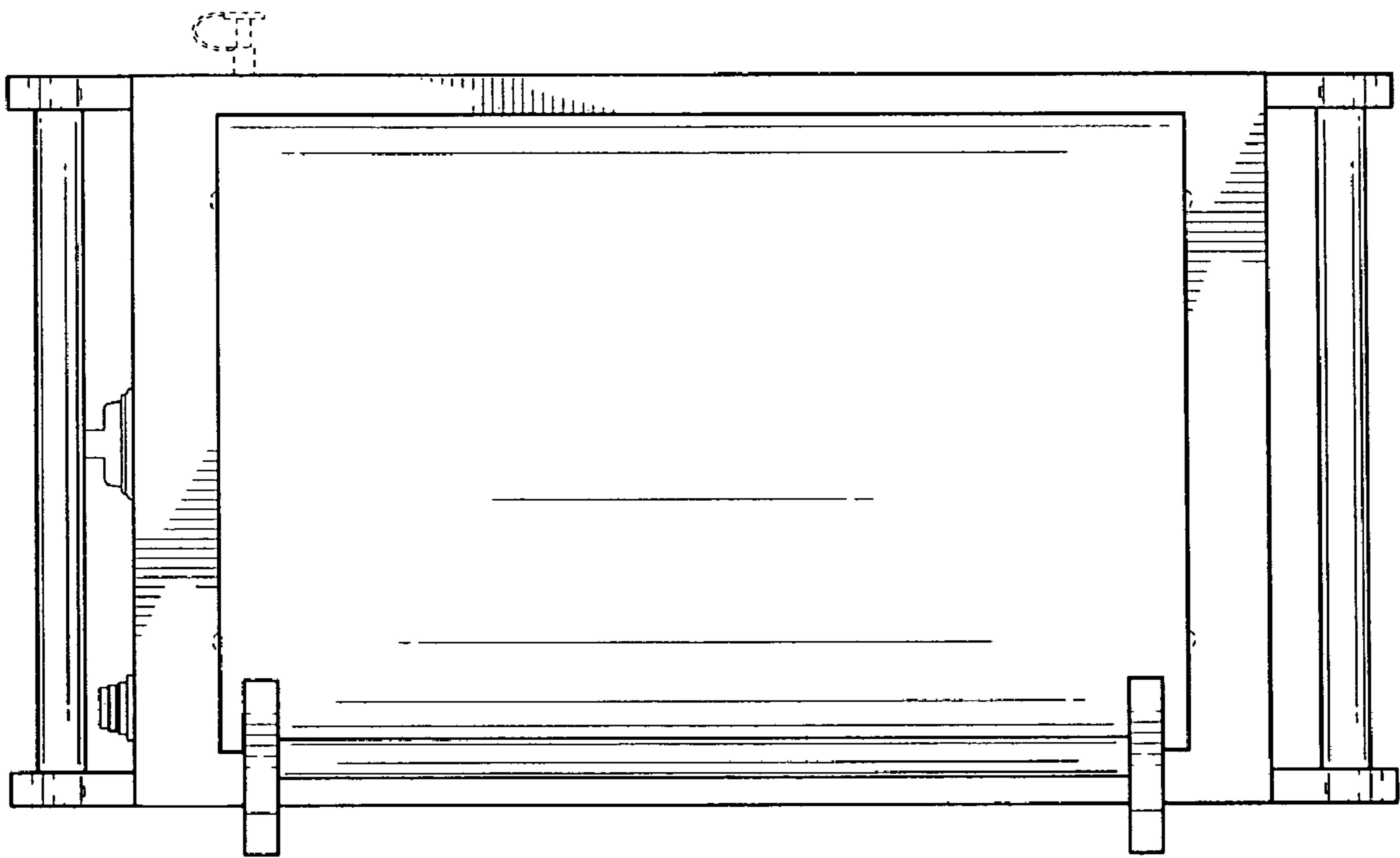


FIG. 12