



US00D615797S

(12) **United States Design Patent**
Berge et al.

(10) **Patent No.:** **US D615,797 S**
(45) **Date of Patent:** **** May 18, 2010**

(54) **POPCORN MAKER**

(75) Inventors: **Michael R. Berge**, Eau Claire, WI (US);
Ryan H. Barrows, Eau Claire, WI (US)

(73) Assignee: **National Presto Industries, Inc.**, Eau Claire, WI (US)

(**) Term: **14 Years**

(21) Appl. No.: **29/350,604**

(22) Filed: **Nov. 19, 2009**

(51) **LOC (9) Cl.** **31-00**

(52) **U.S. Cl.** **D7/325**

(58) **Field of Classification Search** D7/323,
D7/325, 354-361, 500-501, 542, 606; 99/323.4-323.9,
99/442; 206/217; 426/101-107, 241-243
See application file for complete search history.

(56) **References Cited**

U.S. PATENT DOCUMENTS

D206,674 S *	1/1967	Hughes	D7/325
3,722,399 A *	3/1973	Cole	99/323.8
4,149,455 A *	4/1979	Ross	99/323.5
4,152,974 A	5/1979	Tienor		
D256,019 S	7/1980	Boldt et al.		
D279,070 S	6/1985	Morrison et al.		
D280,062 S *	8/1985	Cesaroni	D7/325
D280,174 S *	8/1985	Cesaroni	D7/325
D281,137 S *	10/1985	Cesaroni	D7/325
D286,124 S *	10/1986	Dempsey	D7/501
4,763,568 A *	8/1988	Kiczek	99/323.5
5,397,879 A	3/1995	Geissler		
D360,102 S	7/1995	Geissler et al.		

5,695,673 A	12/1997	Geissler		
D445,647 S *	7/2001	Ciesko et al.	D7/542
D521,796 S *	5/2006	Bertulis	D7/325

OTHER PUBLICATIONS

West Bend Kettle Crazy Instruction Manual, 2009, 32 pages.
West Bend Stir Crazy Corn Popper Instruction Manual, 2007, 24 pages.
Presto Automatic Buttering Corn Popper Instruction Manual, 1975, 2 pages.

* cited by examiner

Primary Examiner—Caron Veynar

Assistant Examiner—Ricky Pham

(74) *Attorney, Agent, or Firm*—Patterson, Thuente, Skaar & Christensen, P.A.

(57) **CLAIM**

We claim the ornamental design for popcorn maker, as shown.

DESCRIPTION

FIG. 1 is an exploded, perspective view of a popcorn maker according to an embodiment of the invention.

FIG. 2 is a perspective view of the popcorn maker of FIG. 1.

FIG. 3 is a front view of the popcorn maker of FIG. 1.

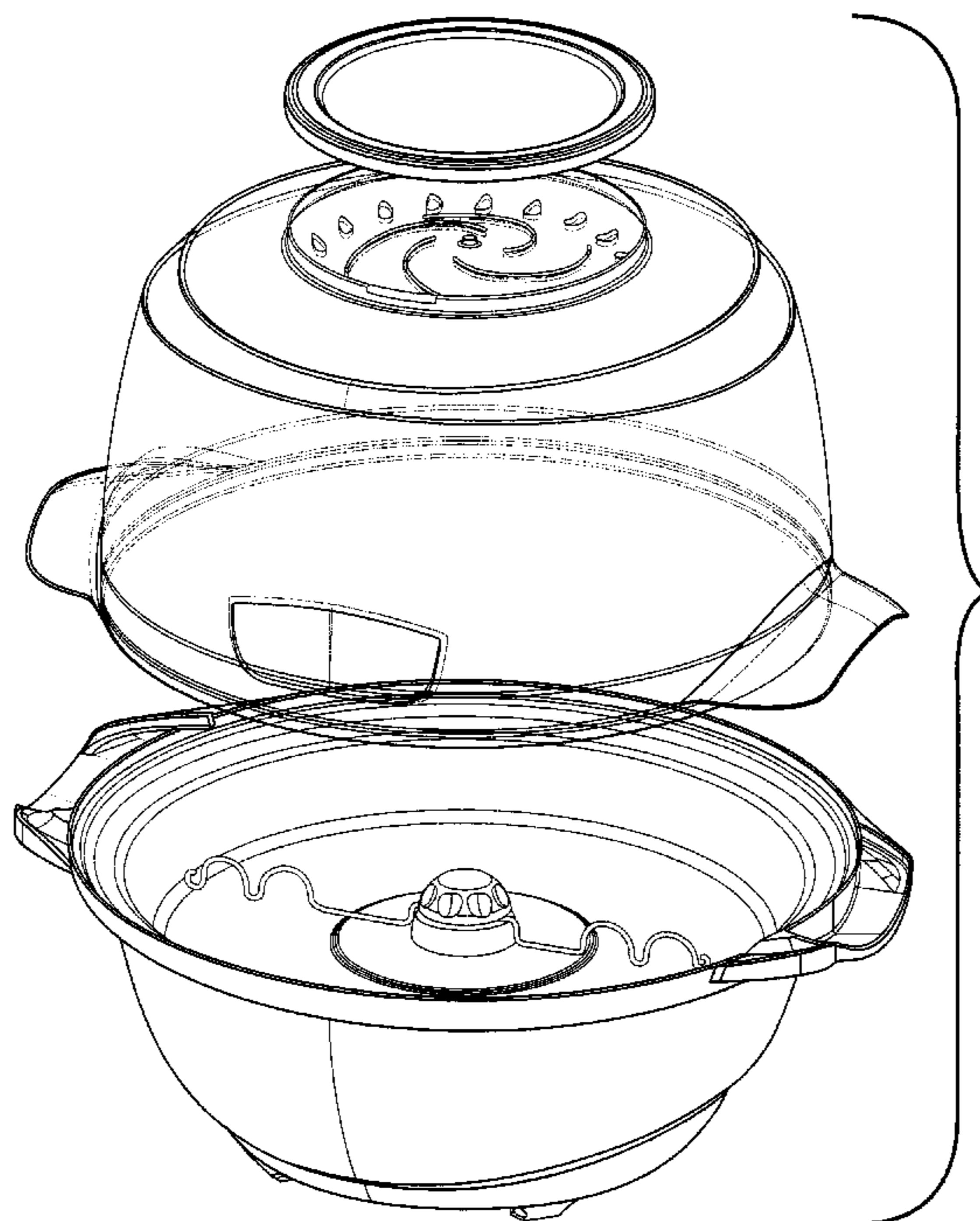
FIG. 4 is a left side view of the popcorn maker of FIG. 1.

FIG. 5 is a right side view of the popcorn maker of FIG. 1.

FIG. 6 is a top view of the popcorn maker of FIG. 1; and,

FIG. 7 is a bottom view of the popcorn maker of FIG. 1.

1 Claim, 7 Drawing Sheets



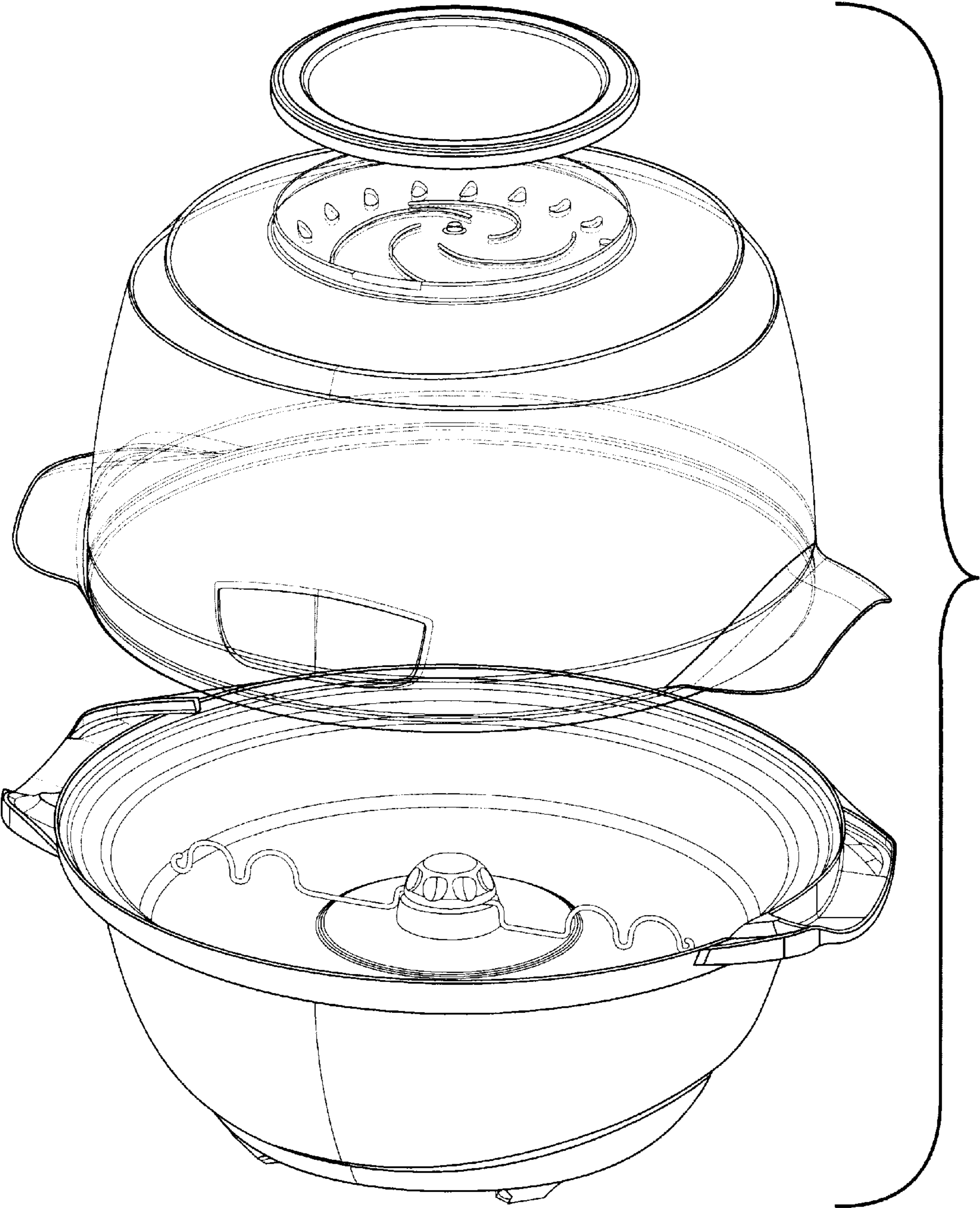


fig. 1

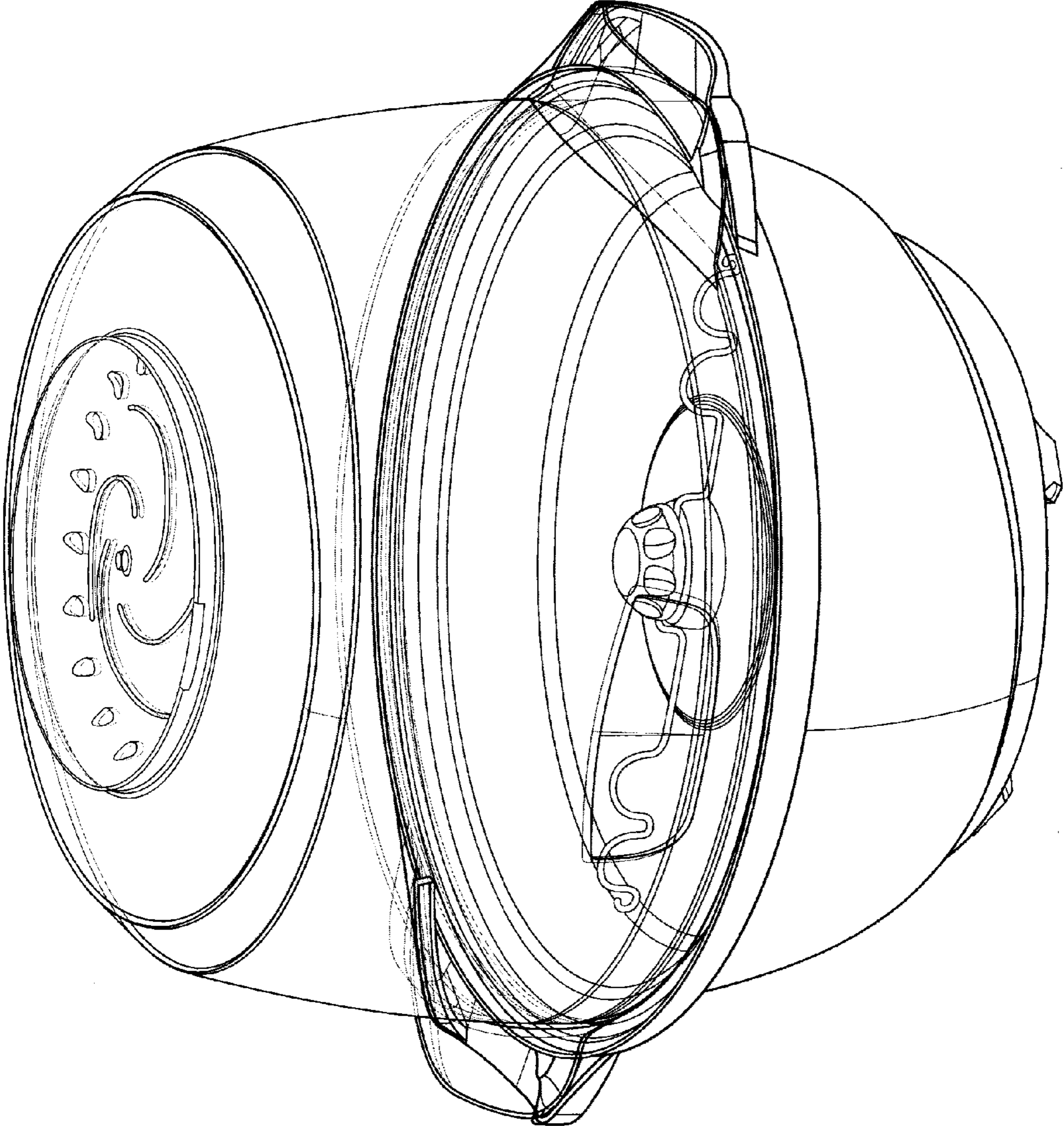


fig. 2

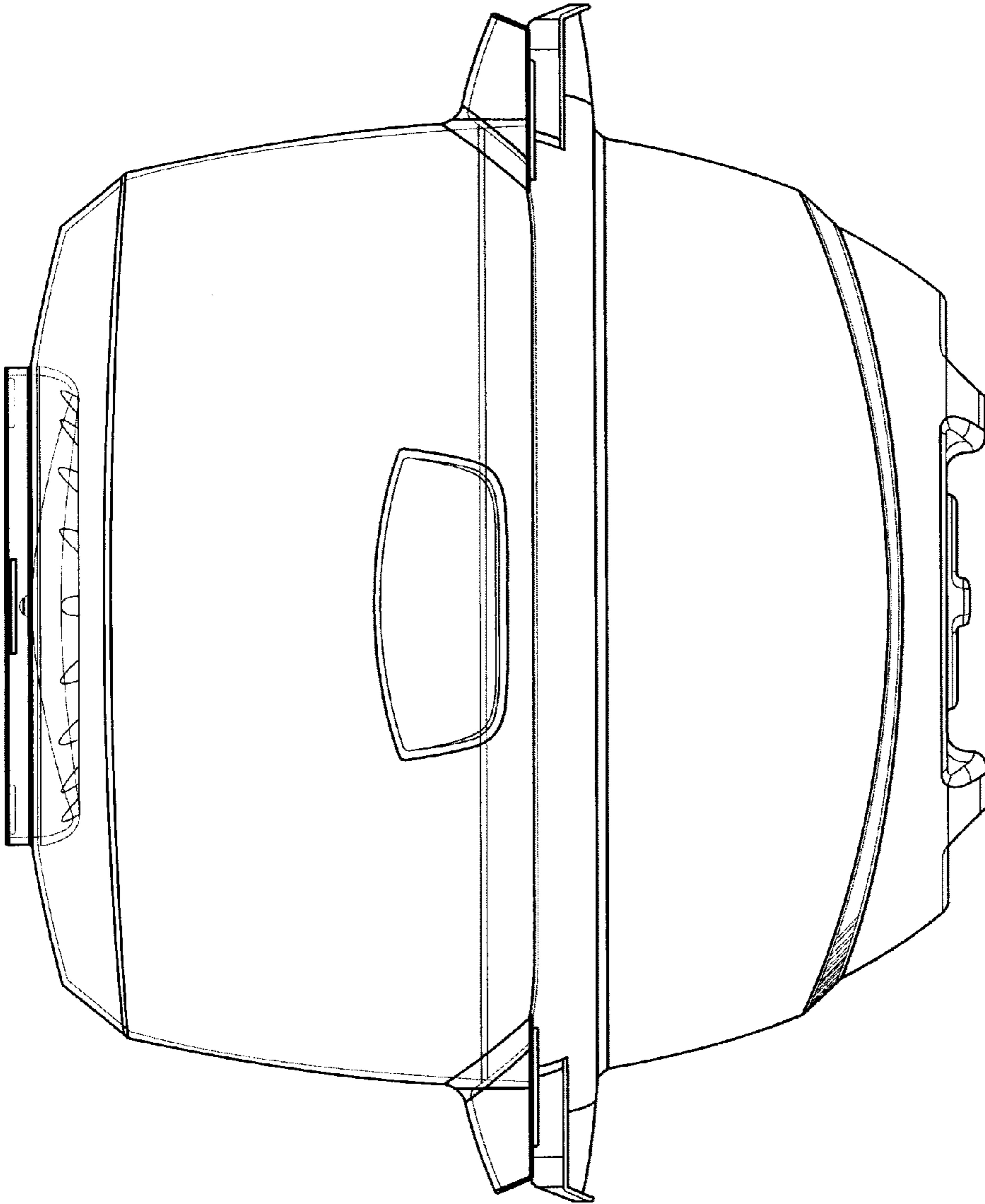


fig. 3

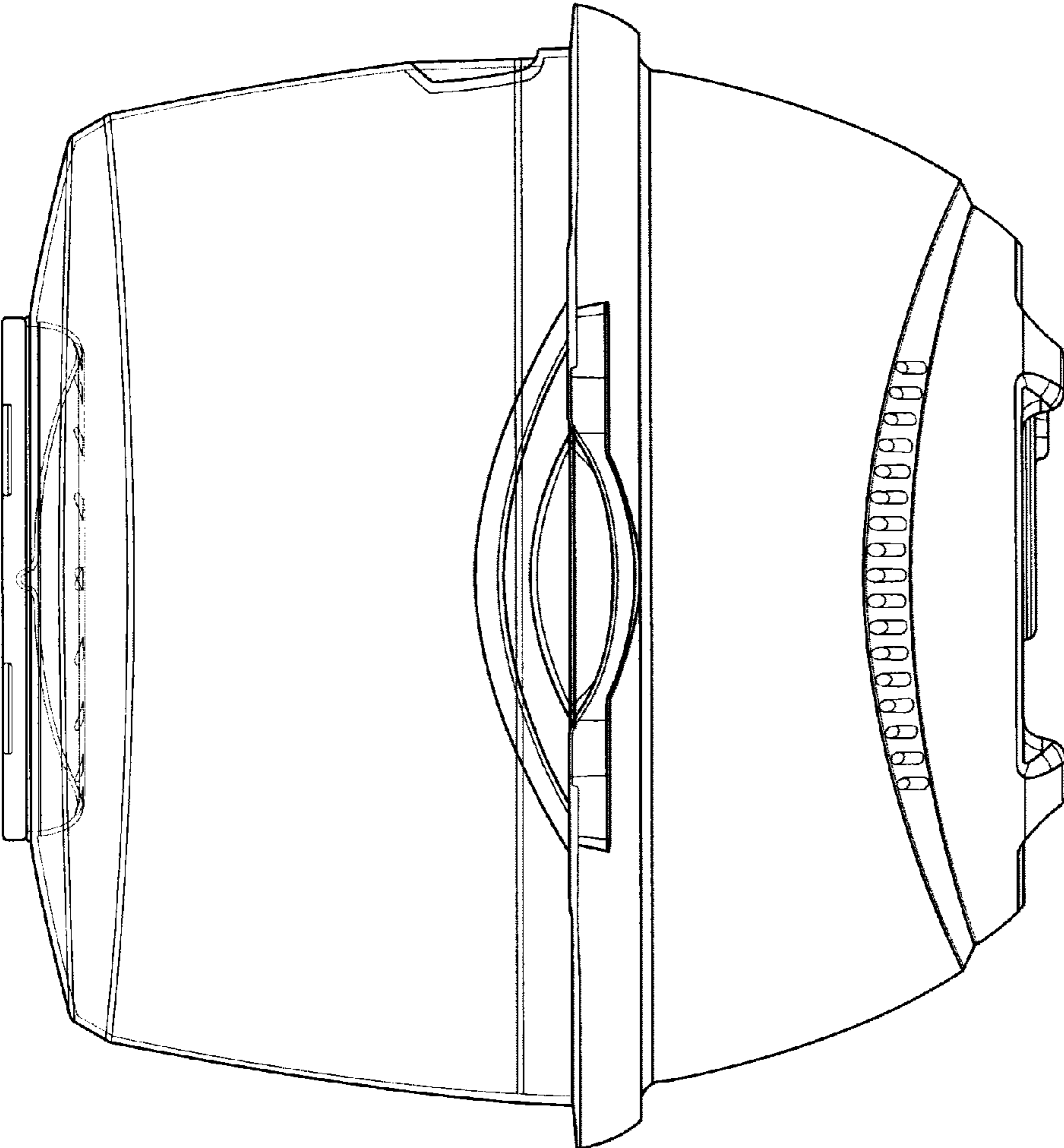


fig. 4

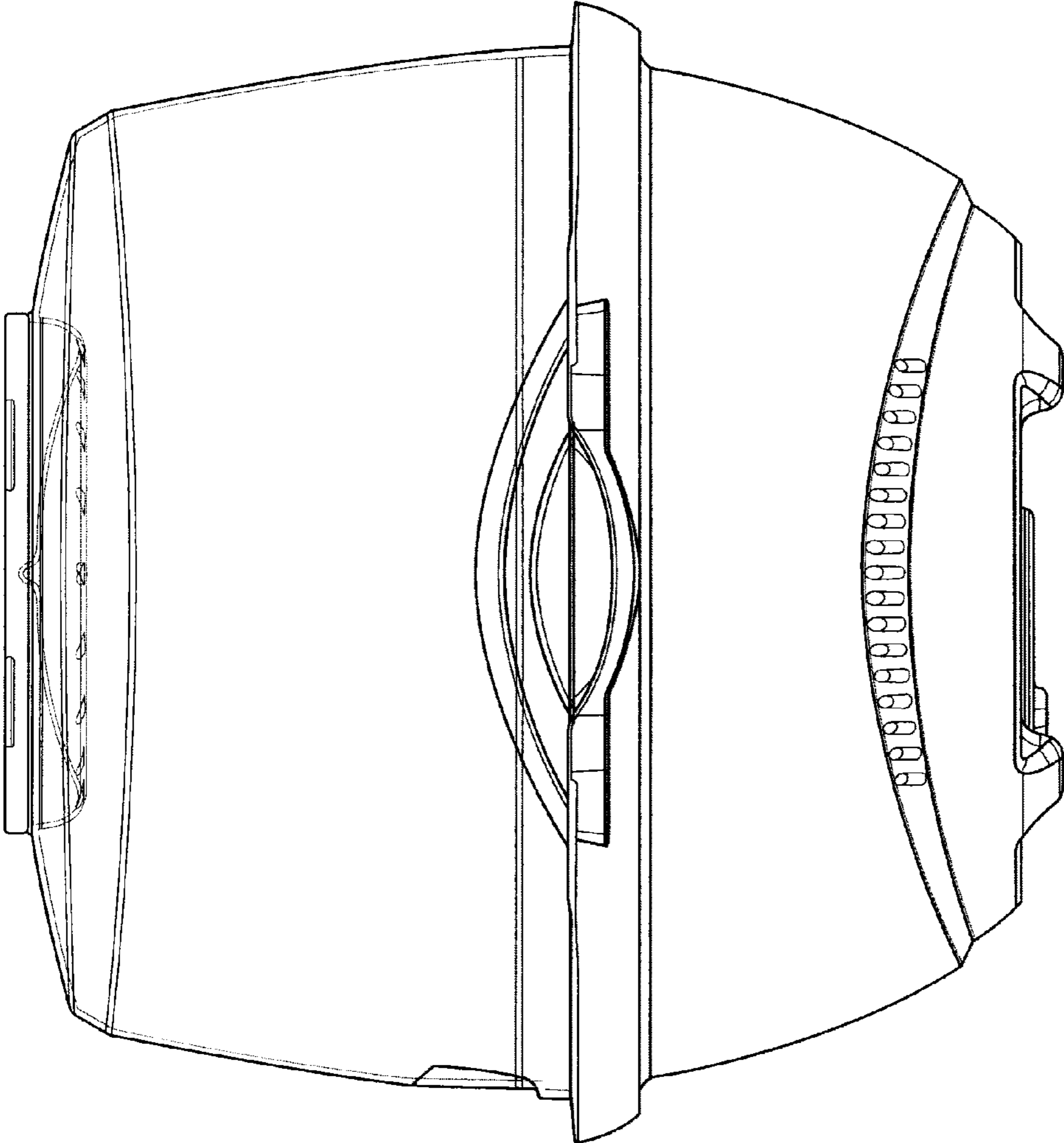


fig. 5

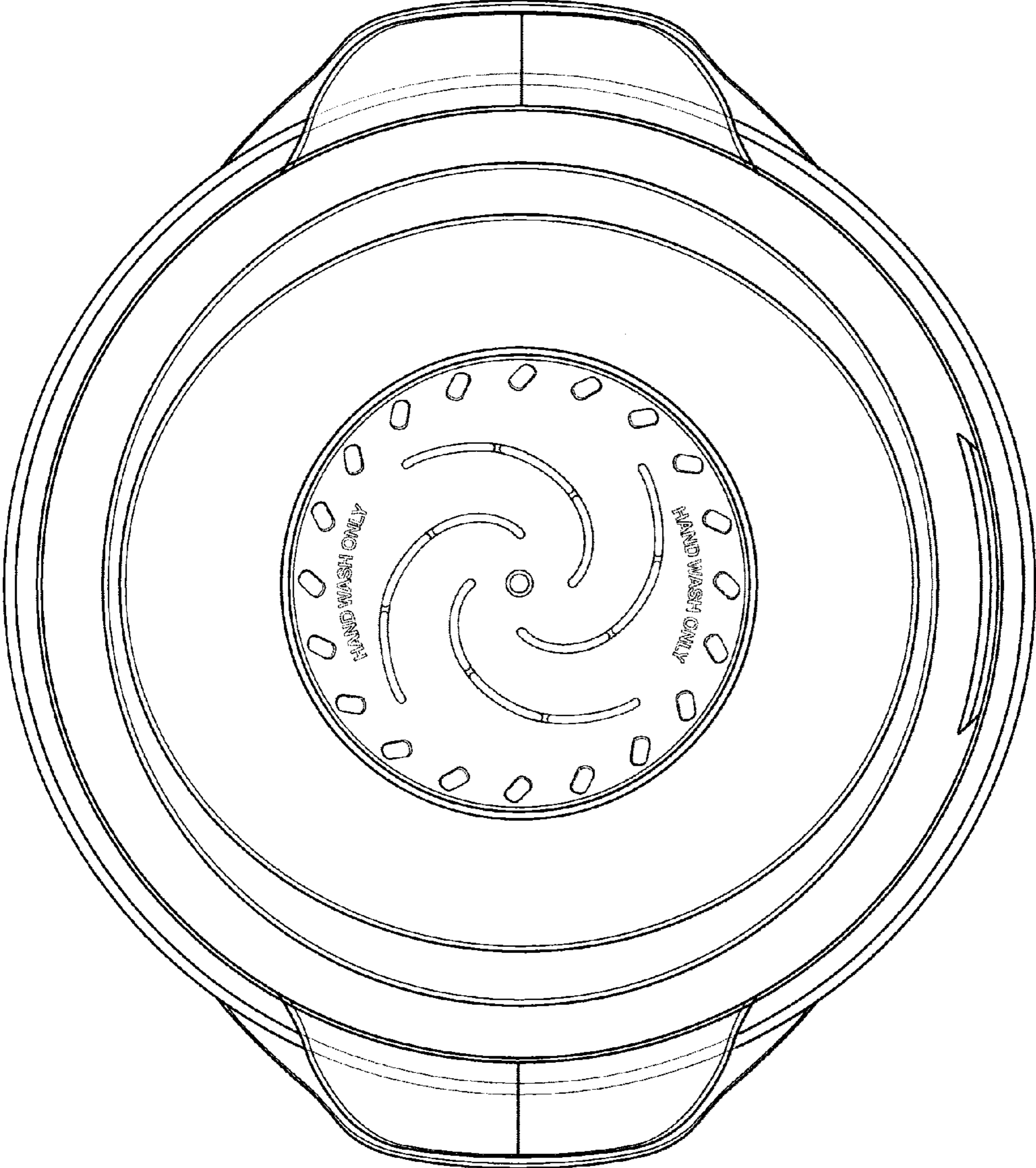


fig. 6

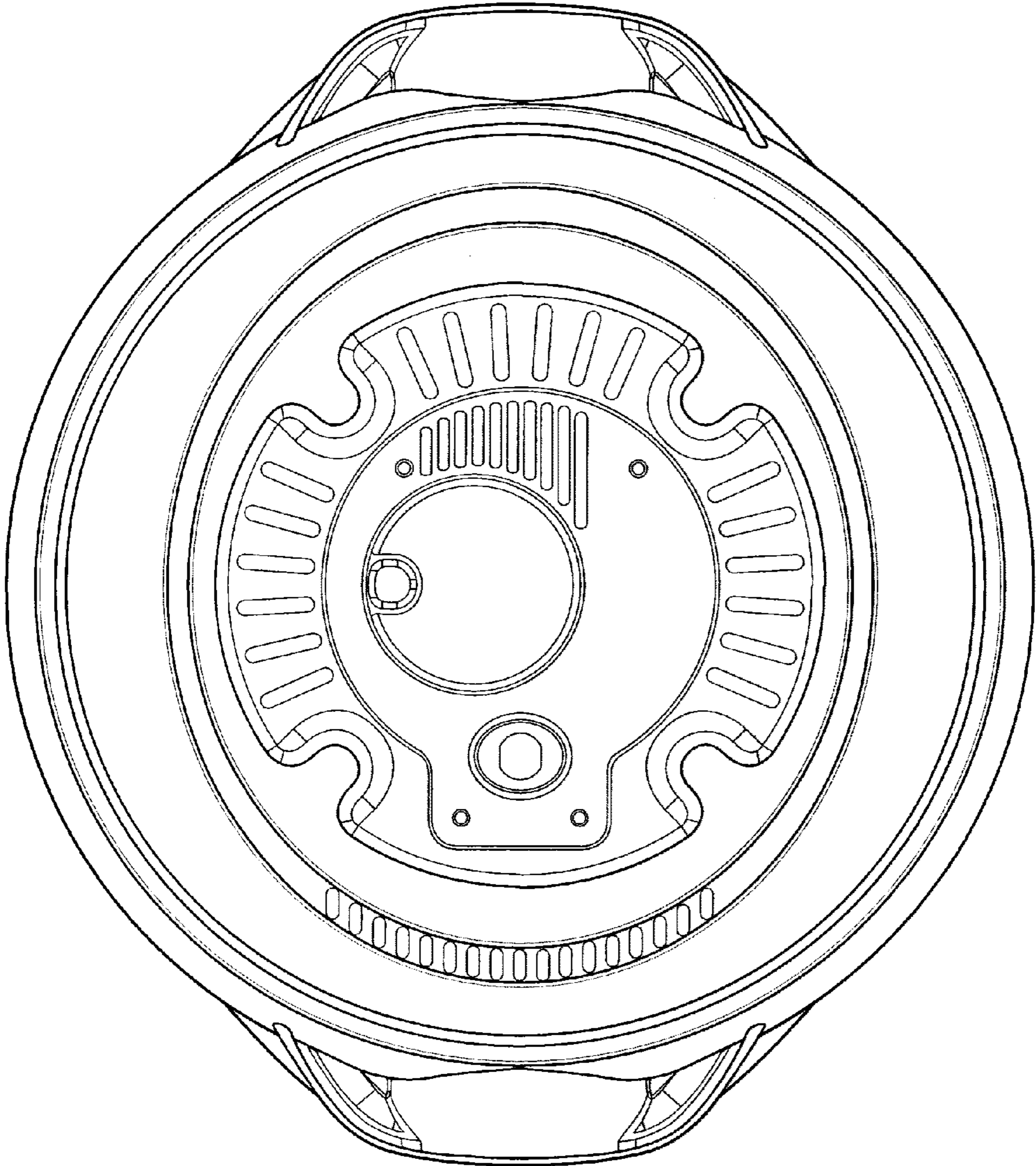


fig. 7