



US00D615790S

(12) **United States Design Patent**
van der Heijden

(10) **Patent No.:** **US D615,790 S**
(45) **Date of Patent:** **** May 18, 2010**

(54) **FLUID DISPENSER**

- (75) Inventor: **Lambertus van der Heijden**, Bunnik (NL)
- (73) Assignee: **Diversey, Inc.**, Sturtevant, WI (US)
- (**) Term: **14 Years**
- (21) Appl. No.: **29/336,642**
- (22) Filed: **May 6, 2009**
- (51) **LOC (9) Cl.** **23-02**
- (52) **U.S. Cl.** **D6/545**
- (58) **Field of Classification Search** D6/542-545;
221/208, 282, 283; 222/105, 173, 180, 181.1,
222/181.2, 181.3
See application file for complete search history.

(56) **References Cited**

U.S. PATENT DOCUMENTS

4,905,873	A	*	3/1990	Loesel et al.	D6/545
D393,975	S	*	5/1998	Bunschoten et al.	D6/545
D414,363	S	*	9/1999	Daansen	D6/545
D448,958	S	*	10/2001	Gross	D6/545
D530,123	S	*	10/2006	Ophardt et al.	D6/545
D563,133	S	*	3/2008	Kramer	D6/545
D568,660	S	*	5/2008	Hodgson et al.	D6/545
D569,669	S	*	5/2008	Nichols et al.	D6/545
D579,250	S	*	10/2008	Cittadino et al.	D6/545

FOREIGN PATENT DOCUMENTS

WO 01/28397 4/2001

* cited by examiner

Primary Examiner—Brian N Vinson
(74) *Attorney, Agent, or Firm*—Gregory S. Bollis

(57) **CLAIM**

We claim the ornamental design for a fluid dispenser, as shown and described.

DESCRIPTION

FIG. 1 is a perspective view of a fluid dispenser constructed in accordance with one embodiment of the present invention, wherein the fluid dispenser includes a bracket, a bottle, and a cover;

FIG. 2 is a front view of the fluid dispenser shown in FIG. 1;

FIG. 3 is a rear view of the fluid dispenser shown in FIGS. 1 and 2;

FIG. 4 is a top view of the fluid dispenser shown in FIGS. 1-3;

FIG. 5 is a bottom view of the fluid dispenser shown in FIGS. 1-4;

FIG. 6 is a left side view of the fluid dispenser shown in FIGS. 1-5;

FIG. 7 is a right side view of the fluid dispenser shown in FIGS. 1-6;

FIG. 8 is a perspective view of an alternative embodiment of a fluid dispenser according to the present invention, wherein the fluid dispenser includes a bracket and a bottle;

FIG. 9 is a front view of the embodiment of the fluid dispenser shown in FIG. 8;

FIG. 10 is a rear view of the embodiment of the fluid dispenser shown in FIGS. 8 and 9;

FIG. 11 is a top view of the embodiment of the fluid dispenser shown in FIGS. 8-10;

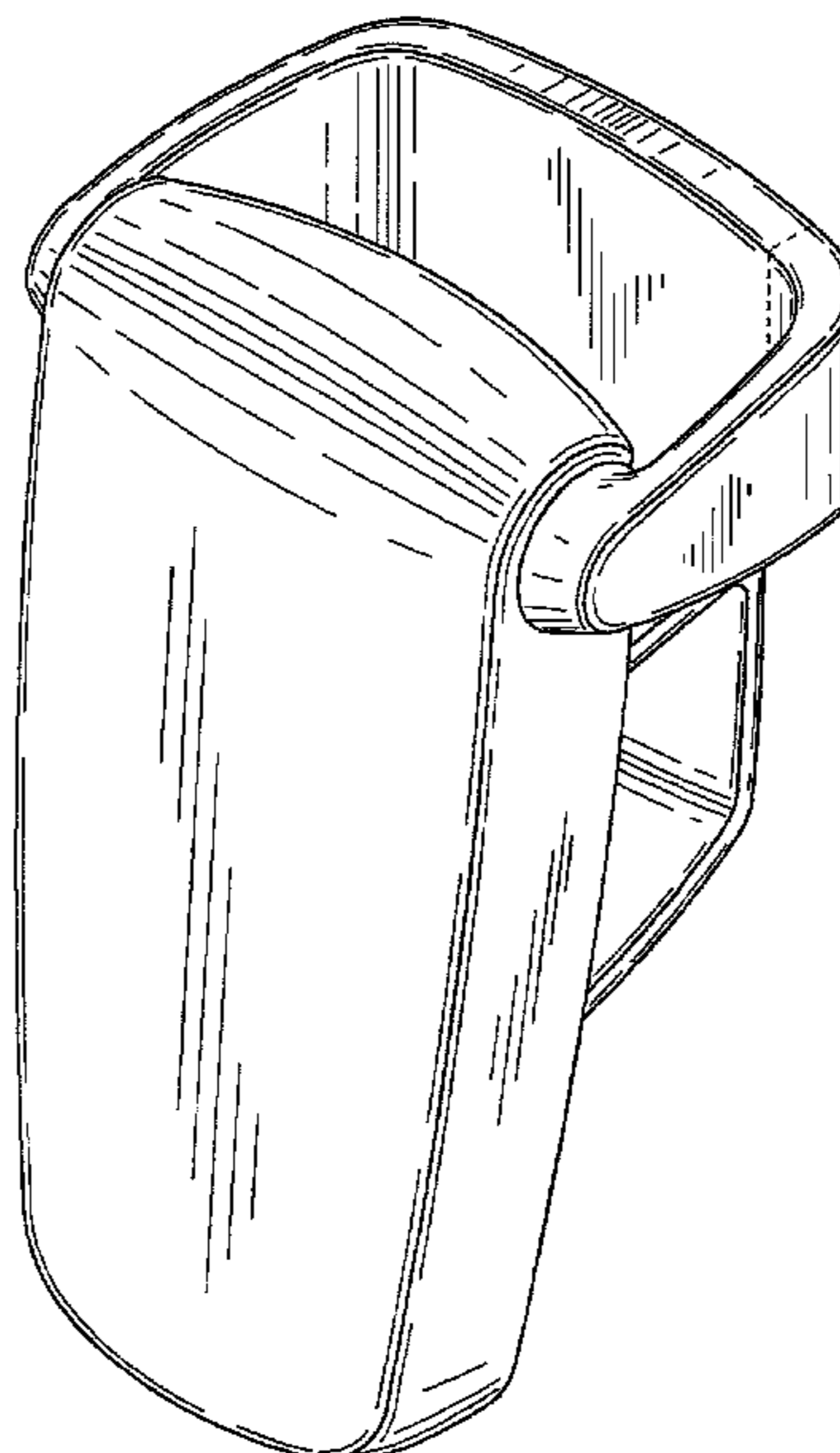
FIG. 12 is a bottom view of the embodiment of the fluid dispenser shown in FIGS. 8-11;

FIG. 13 is a left side view of the embodiment of the fluid dispenser shown in FIGS. 8-12; and,

FIG. 14 is a right side view of the embodiment of the fluid dispenser shown in FIGS. 8-13.

The broken-line disclosure in the views is understood to represent portions of the article in which the claimed design is embodied, but which for no part of the claimed design.

1 Claim, 14 Drawing Sheets



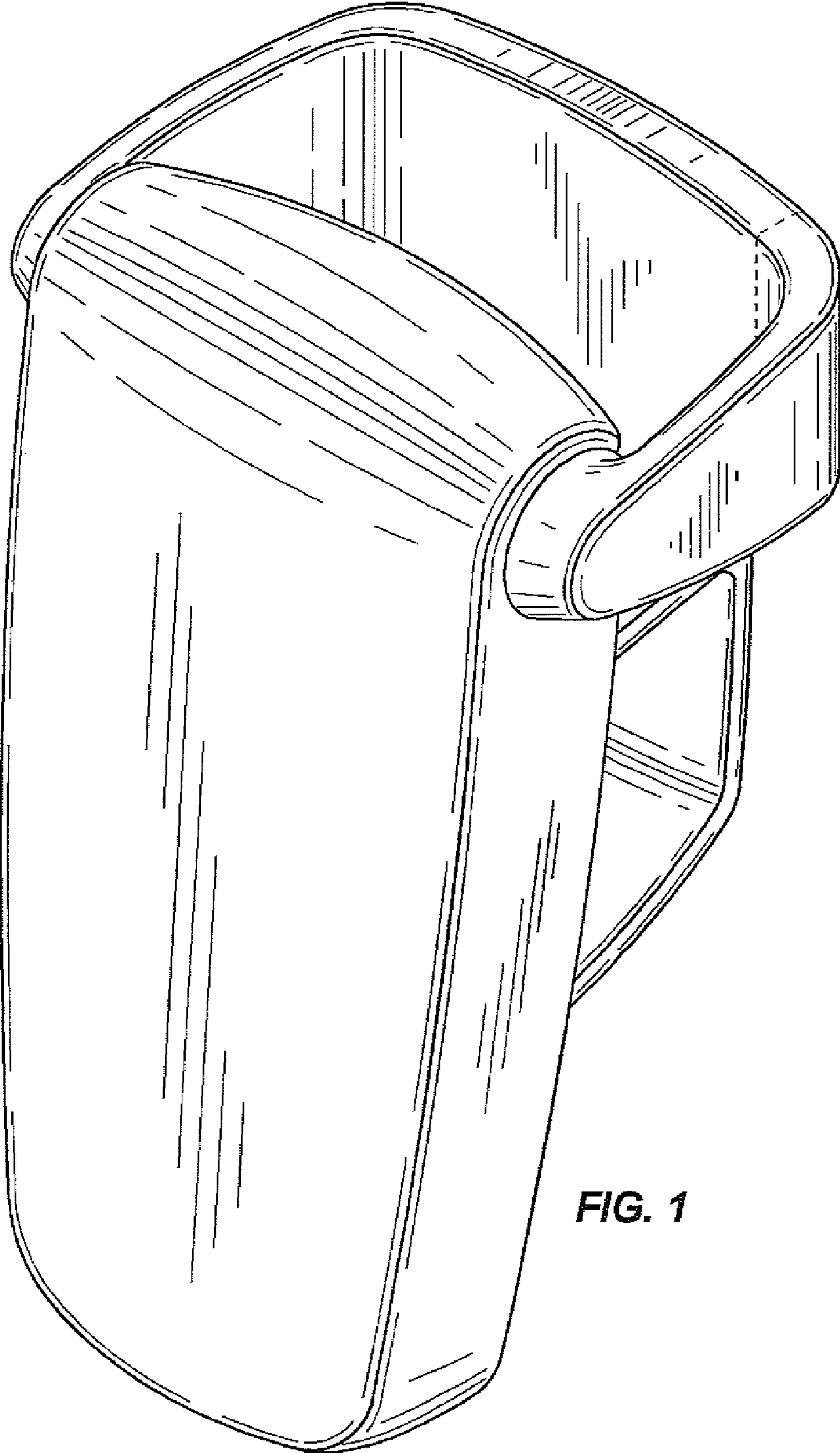


FIG. 1

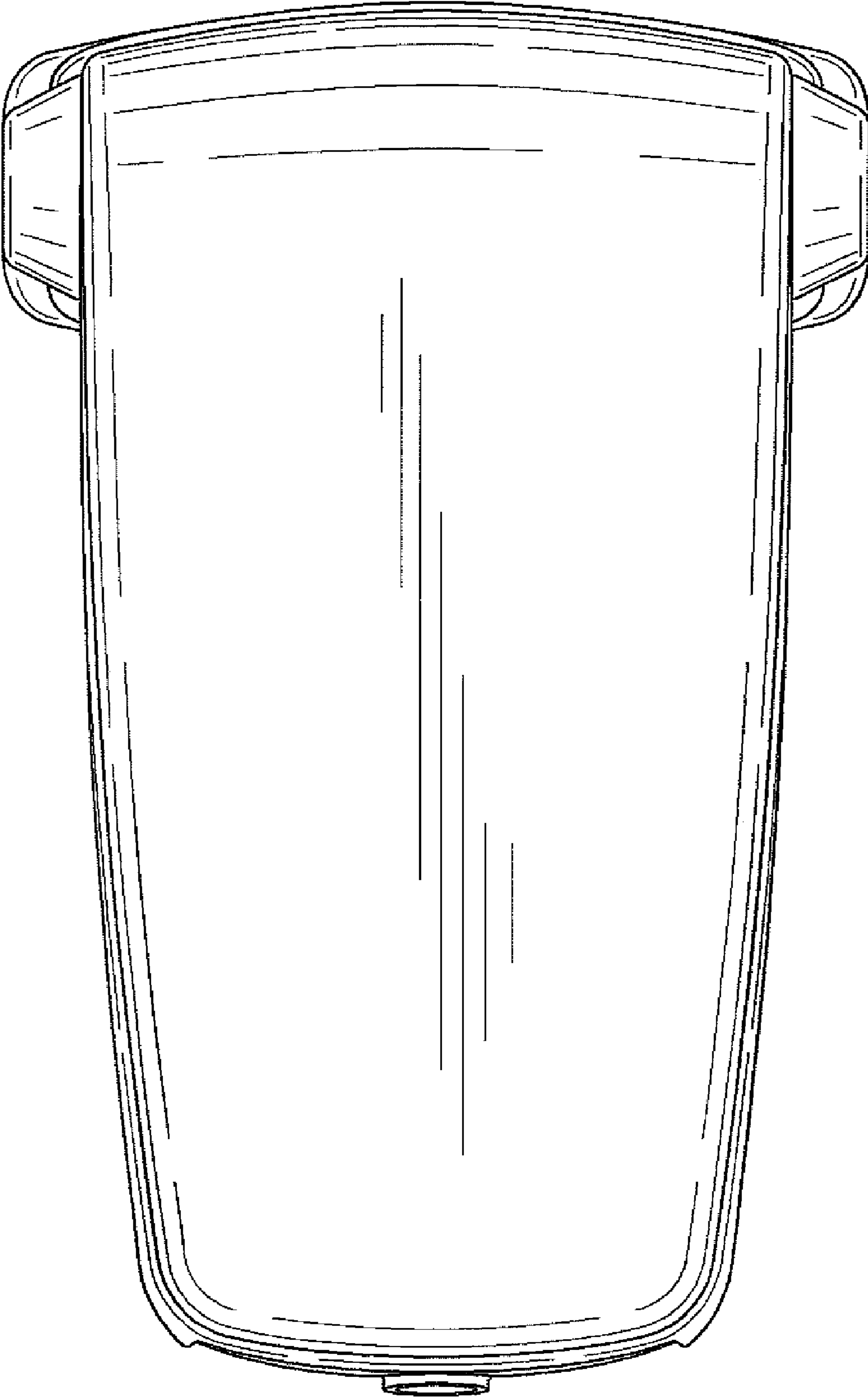


FIG. 2

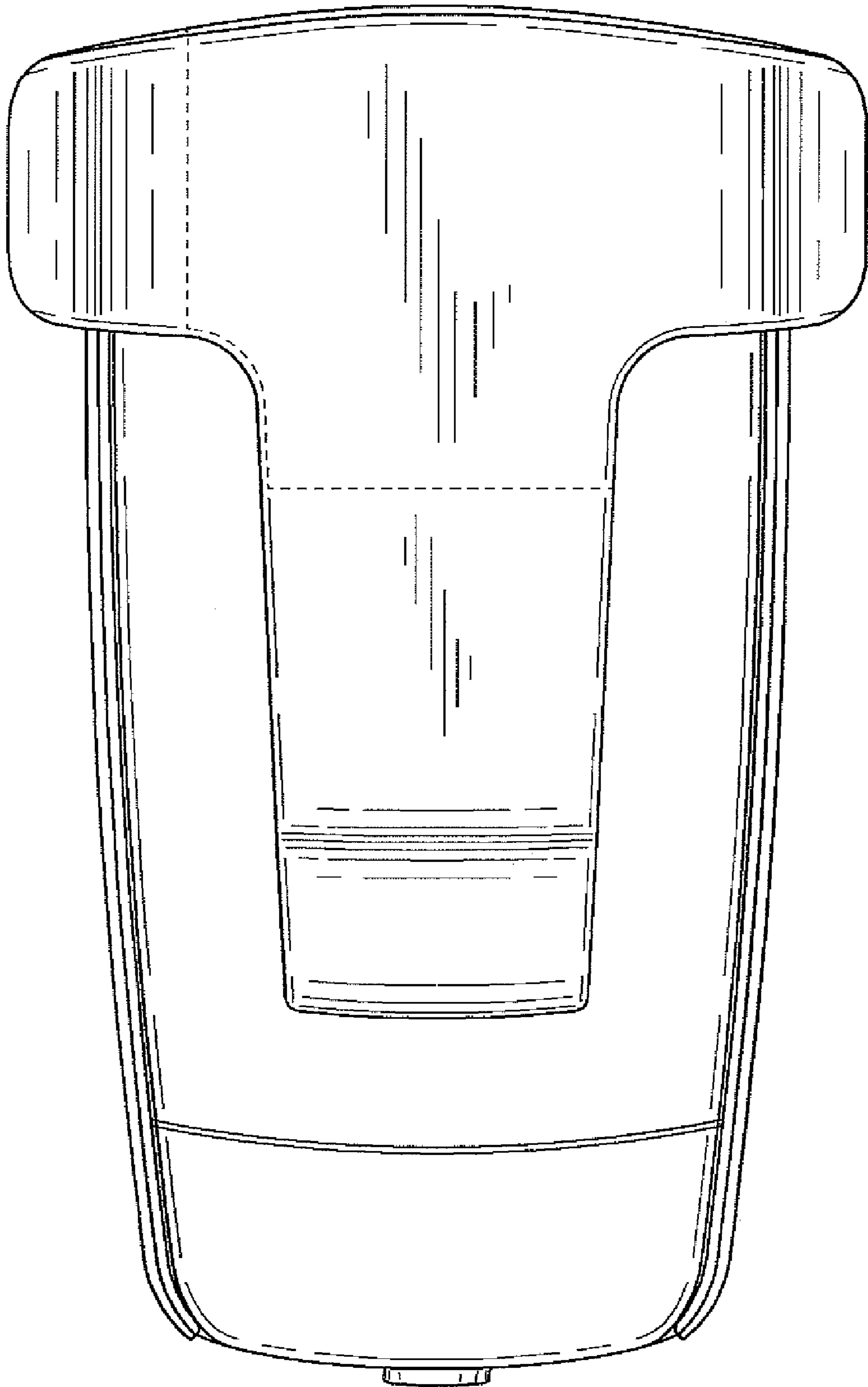


FIG. 3

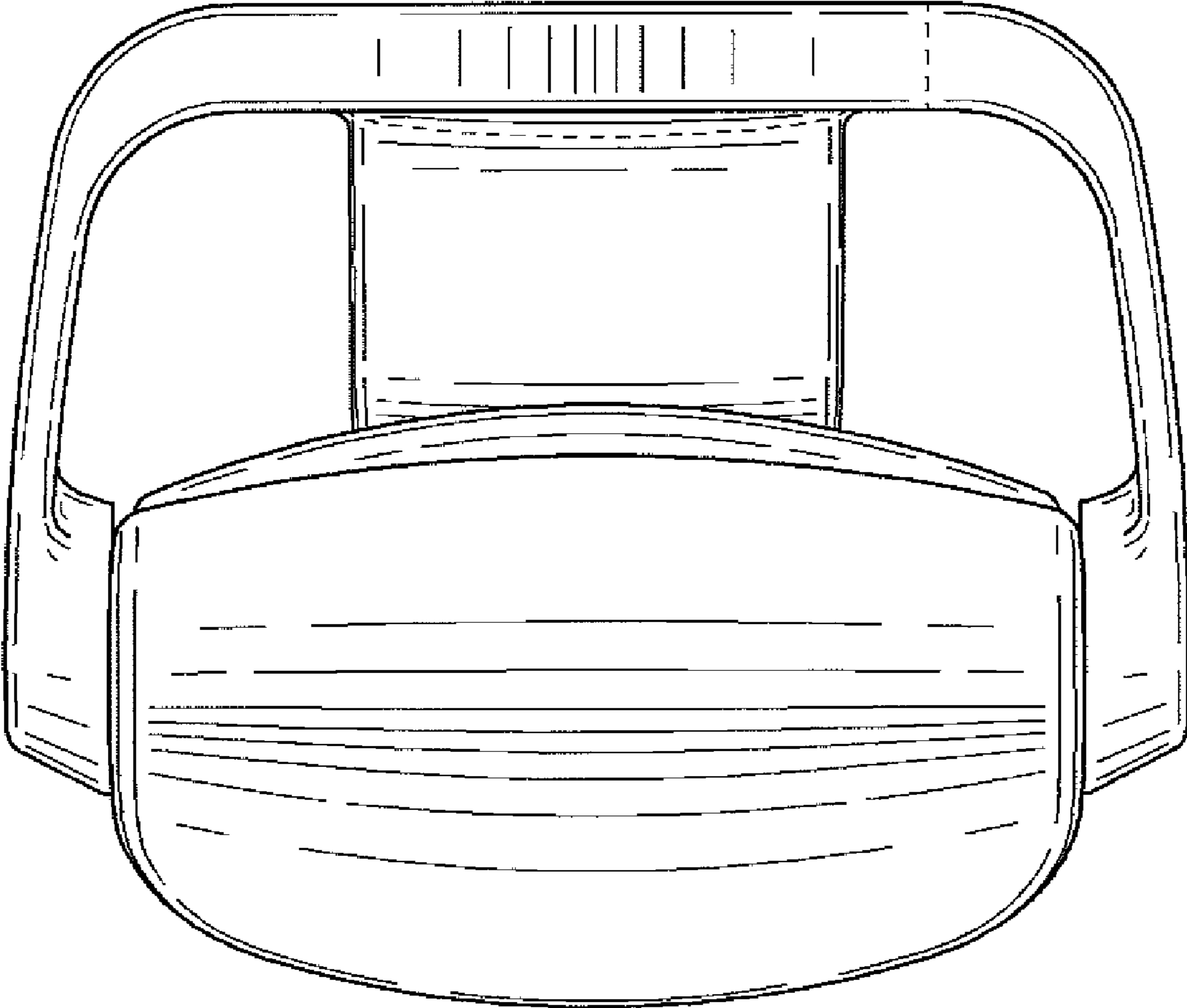


FIG. 4

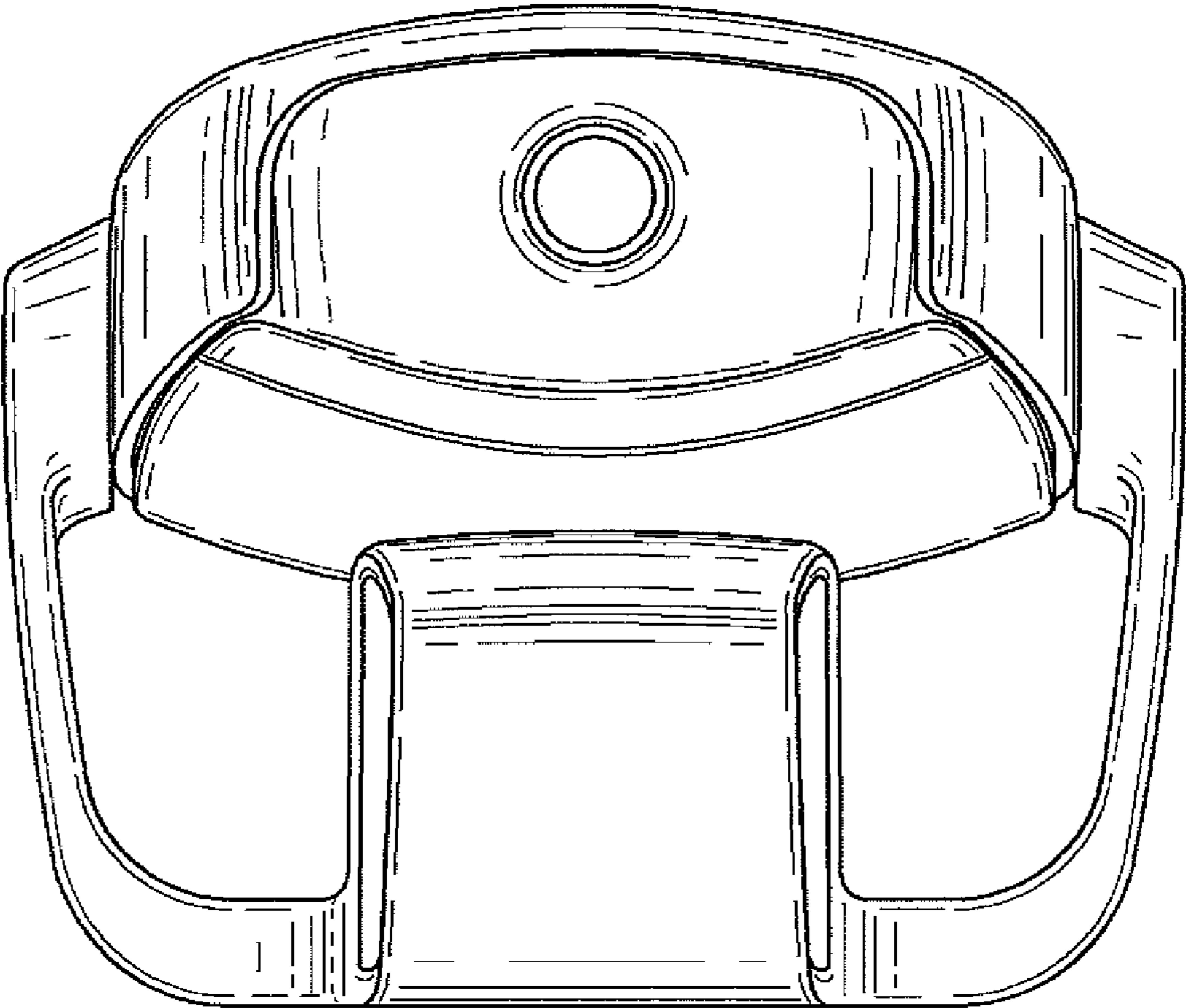


FIG. 5

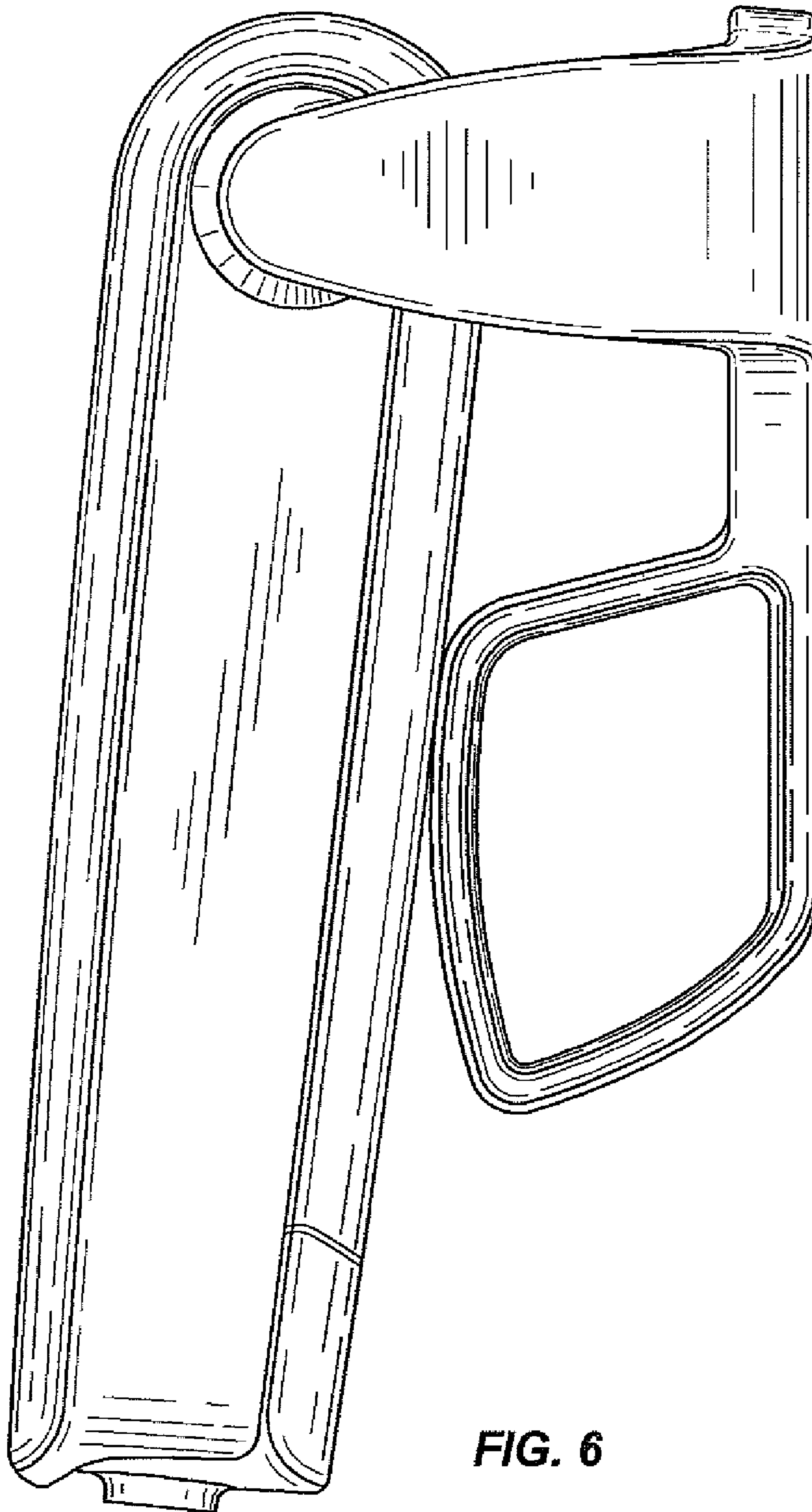


FIG. 6

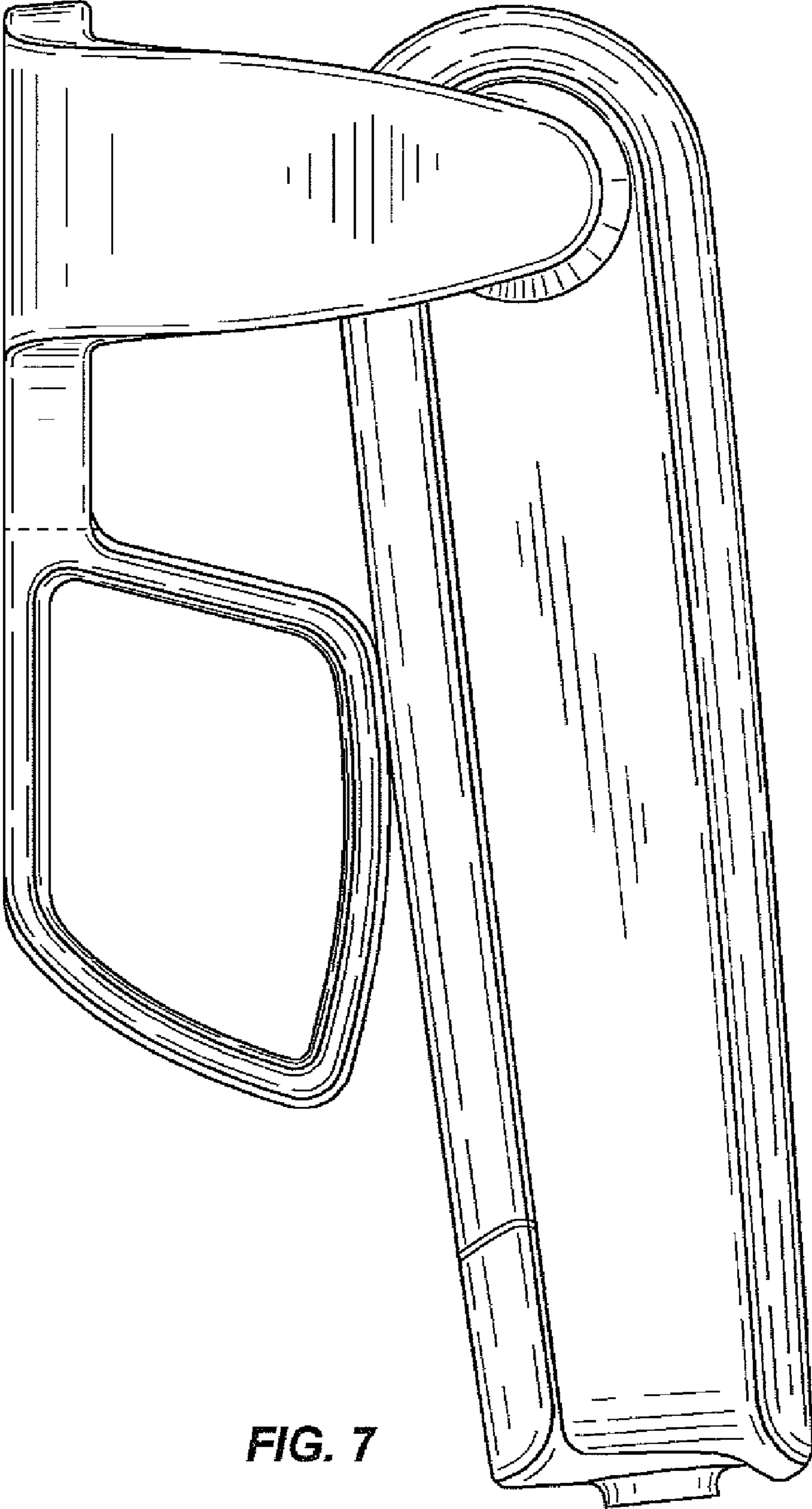


FIG. 7

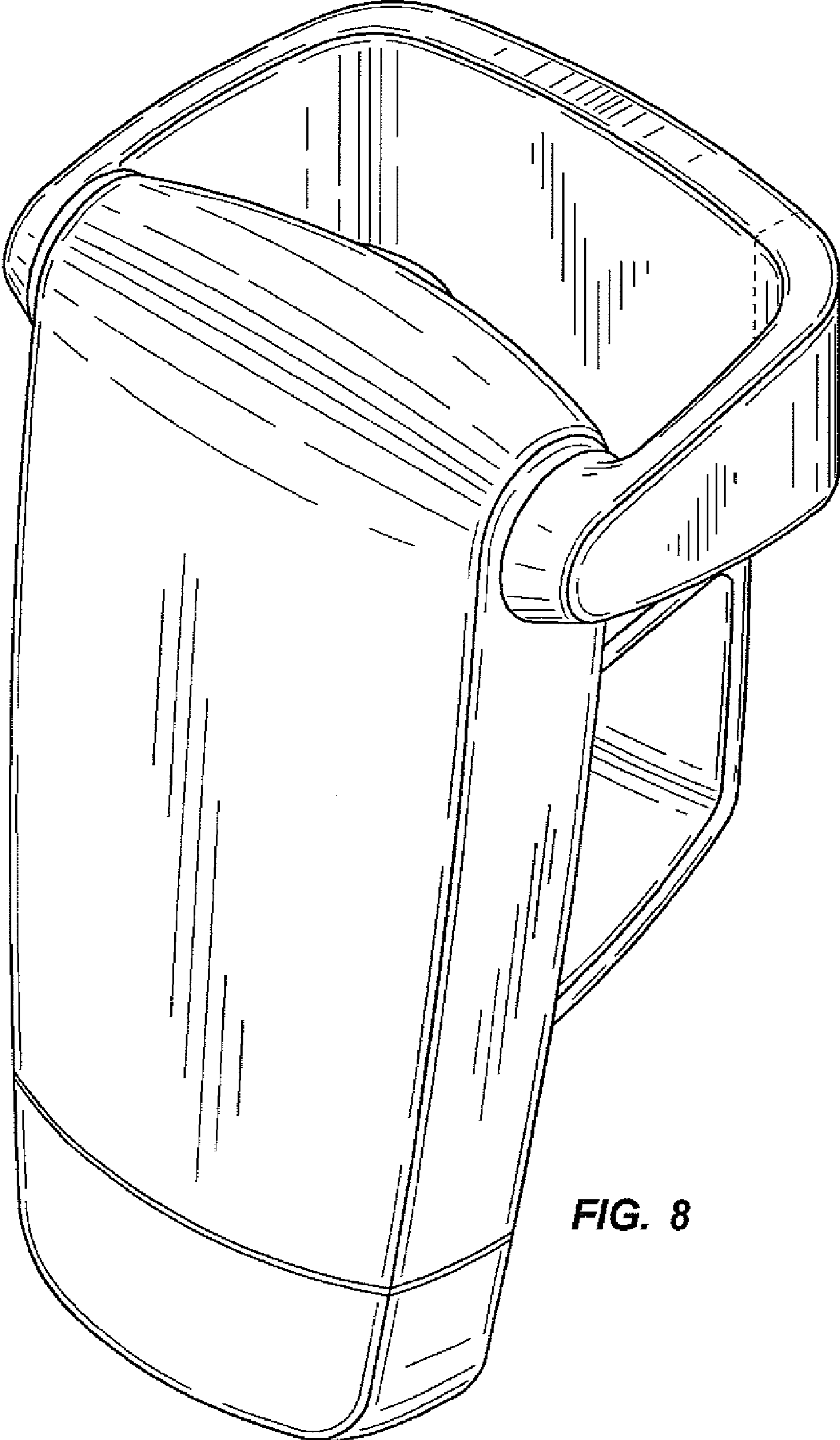


FIG. 8



FIG. 9

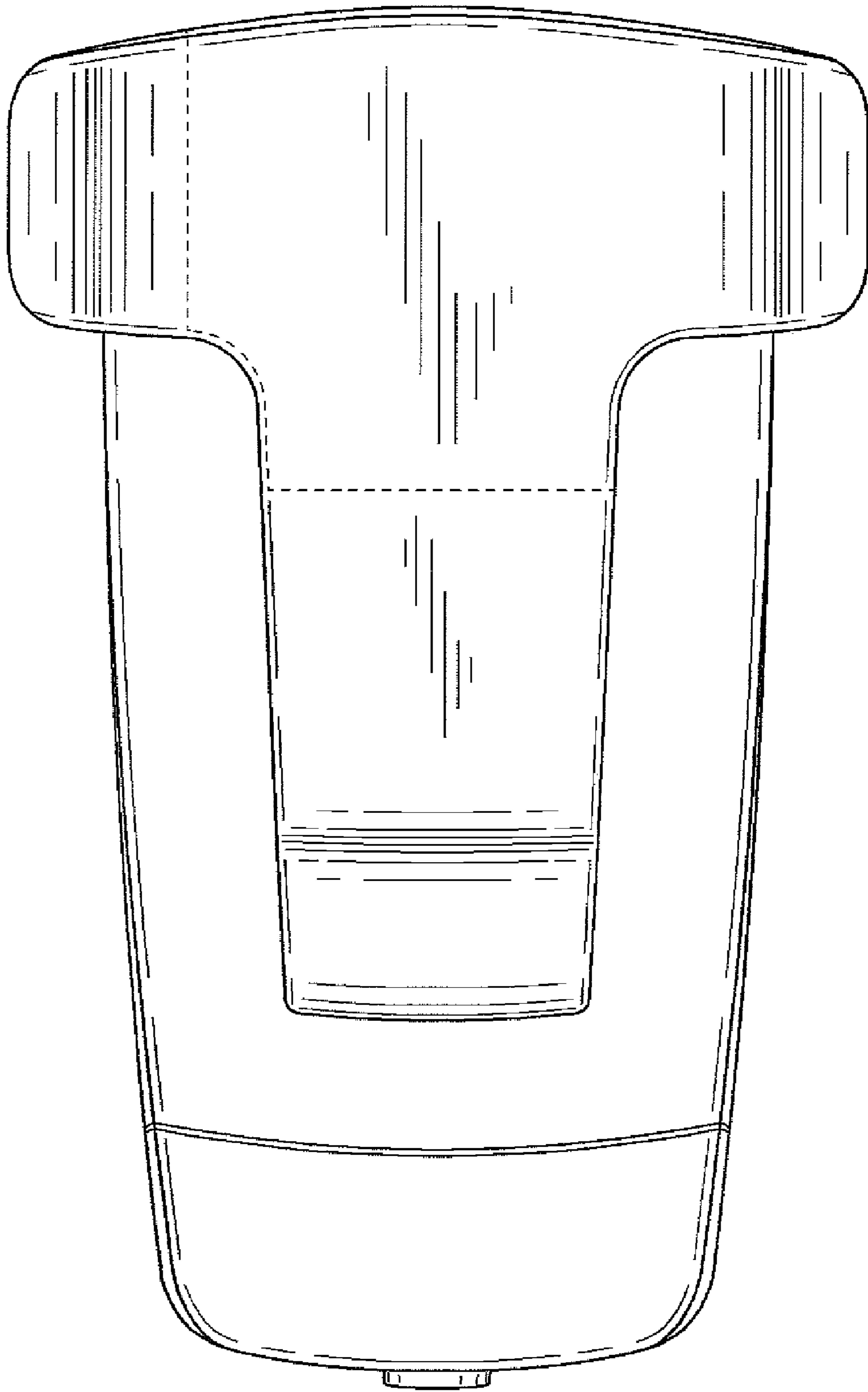


FIG. 10

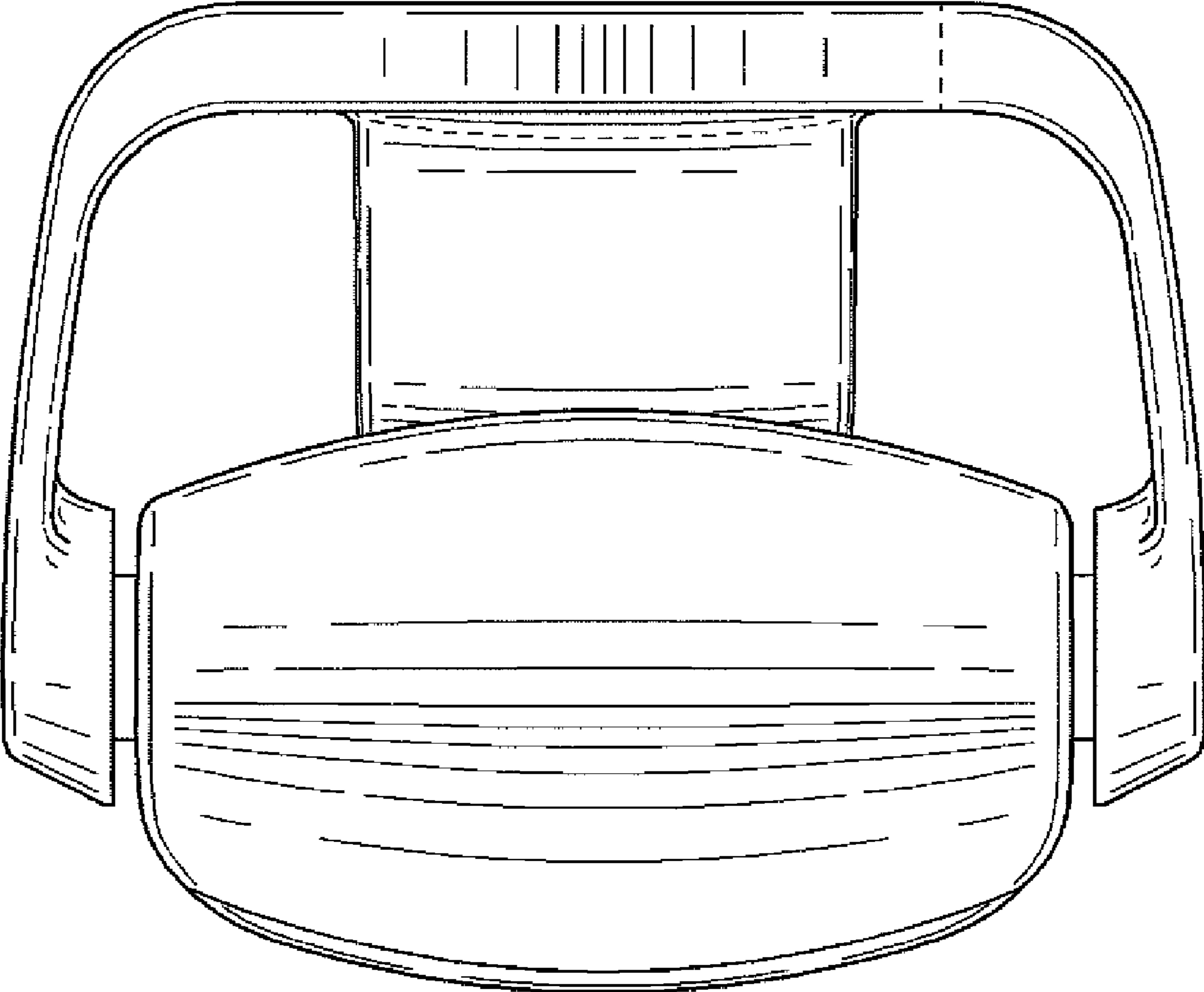


FIG. 11

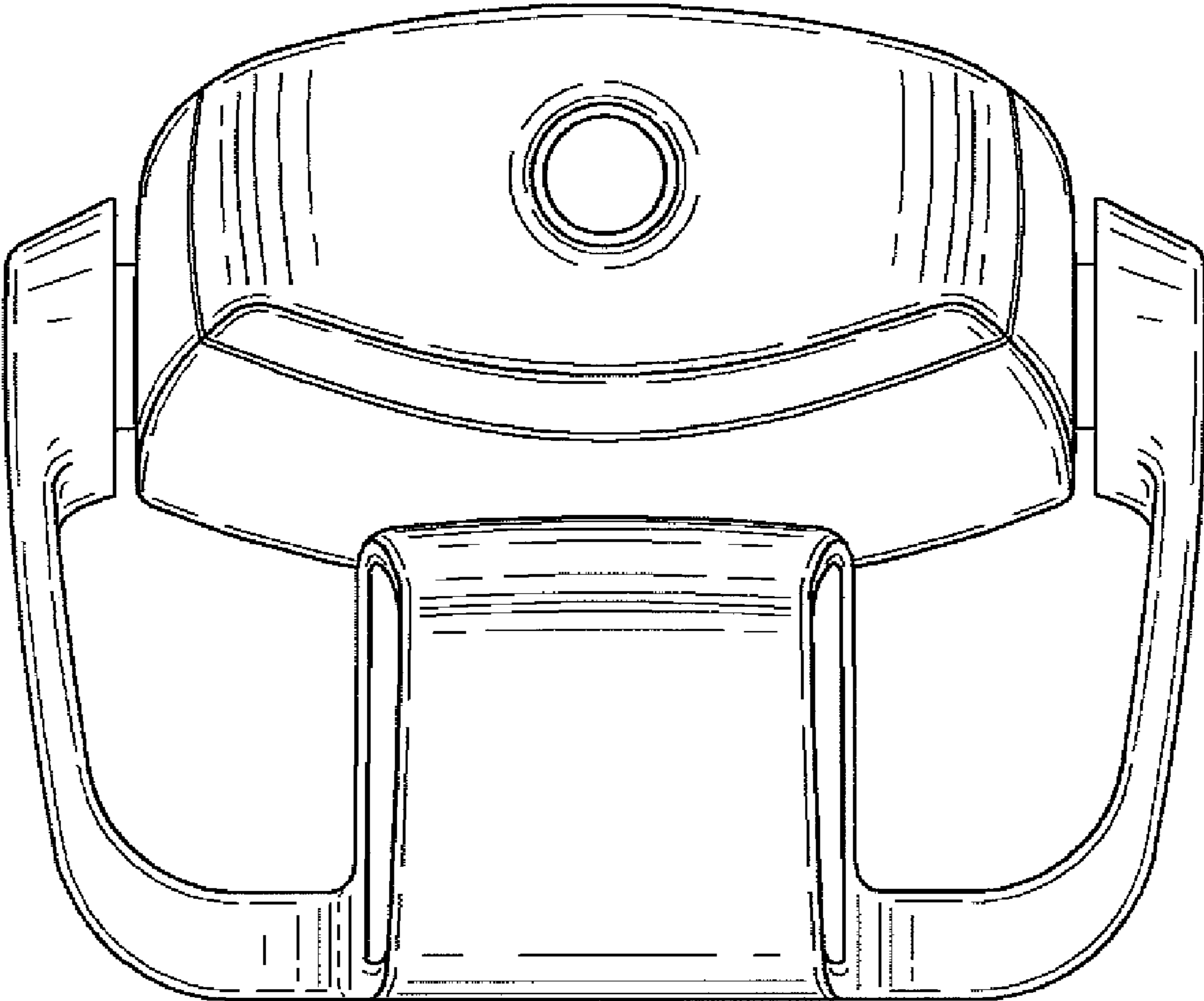


FIG. 12

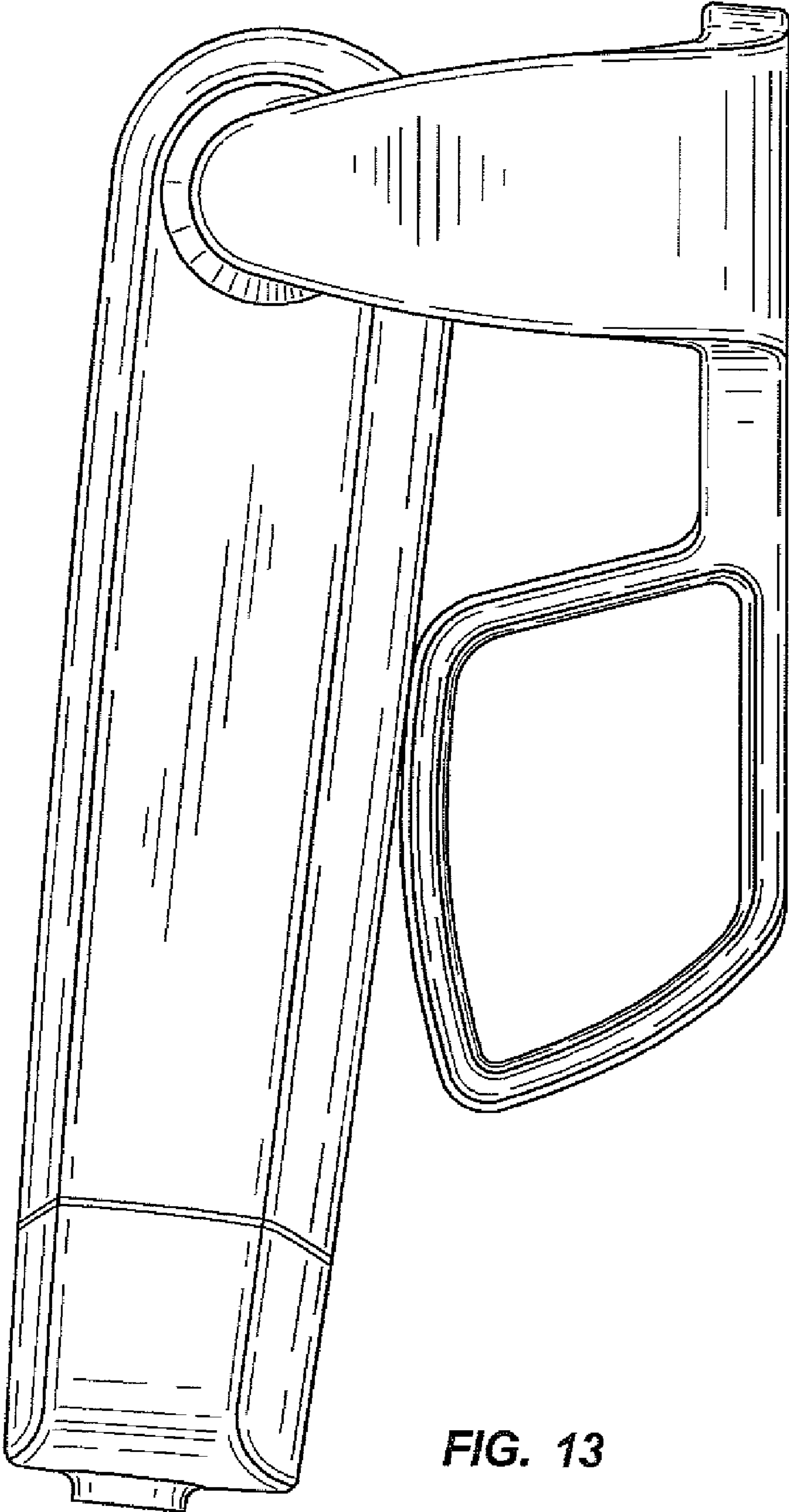


FIG. 13

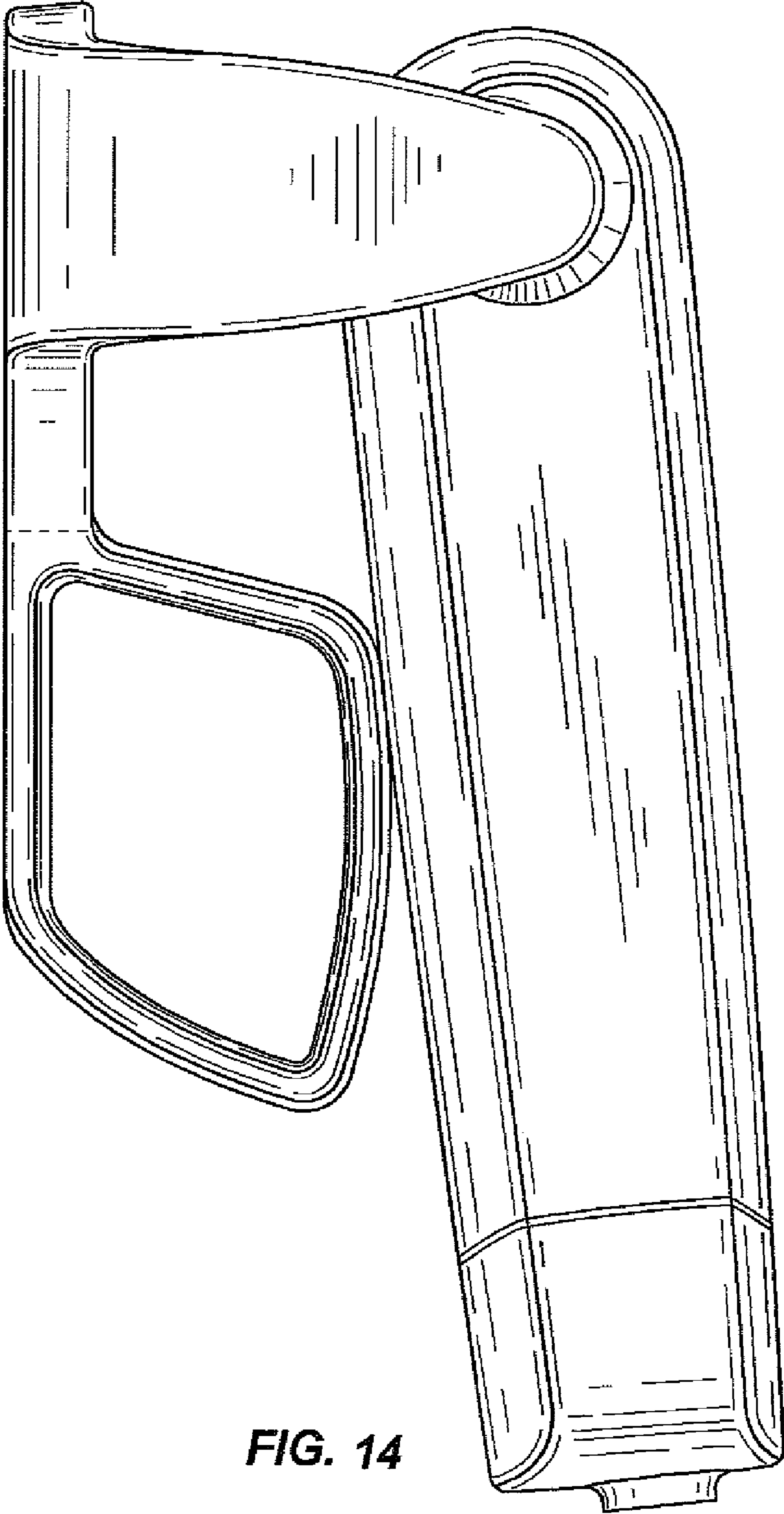


FIG. 14