



US00D615787S

(12) **United States Design Patent**
Shieh

(10) **Patent No.:** **US D615,787 S**
(45) **Date of Patent:** **** May 18, 2010**

(54) **DECORATIVE HEAD FOR BATHROOM ACCESSORIES**

(75) Inventor: **Ming-Dang Shieh**, Chang Hua Hsien (TW)

(73) Assignee: **Horng Lai Industrial Co., Ltd.**, Chang Hua Hsien (TW)

(**) Term: **14 Years**

(21) Appl. No.: **29/345,243**

(22) Filed: **Oct. 13, 2009**

(51) **LOC (9) Cl.** **23-02**

(52) **U.S. Cl.** **D6/524**

(58) **Field of Classification Search** D6/518-524,
D6/546-550; D8/300, 370, 315; 108/28-29;
211/13.1, 16, 85.5, 86.01, 87.01, 88.04, 100,
211/105.1, 105.2, 106, 113, 123, 181.1, 182-183;
248/49, 175, 176.1, 200, 201, 205.1, 251,
248/302, 309.1, 315; 242/570, 590, 595-598
See application file for complete search history.

(56) **References Cited**

U.S. PATENT DOCUMENTS

D514,361 S *	2/2006	Gilbert	D6/524
D549,022 S *	8/2007	Gilbert	D6/524
D551,001 S *	9/2007	Pipe	D6/524
D561,508 S *	2/2008	Guo	D6/524
D563,702 S *	3/2008	Ricereto	D6/524

* cited by examiner

Primary Examiner—Brian N Vinson

(74) *Attorney, Agent, or Firm*—Alan Kamrath; Kamrath & Associates PA

(57) **CLAIM**

The ornamental design for a decorative head for bathroom accessories, as shown and described.

DESCRIPTION

FIG. 1 is a perspective view of a decorative head for bathroom accessories showing my design;

FIG. 2 is a front elevational view thereof;

FIG. 3 is a rear elevational view thereof, with the broken-line disclosure being understood the represent a portion of the article in which the claimed design is embodied, but which forms no part of the claimed design;

FIG. 4 is a left side elevational view thereof;

FIG. 5 is a right side elevational view thereof;

FIG. 6 is a top plan view thereof;

FIG. 7 is a bottom plan view thereof;

FIG. 8 is an additional perspective view thereof, with the broken-line disclosure of a towel ring being for illustrative purposes only and forming no part of the claimed design;

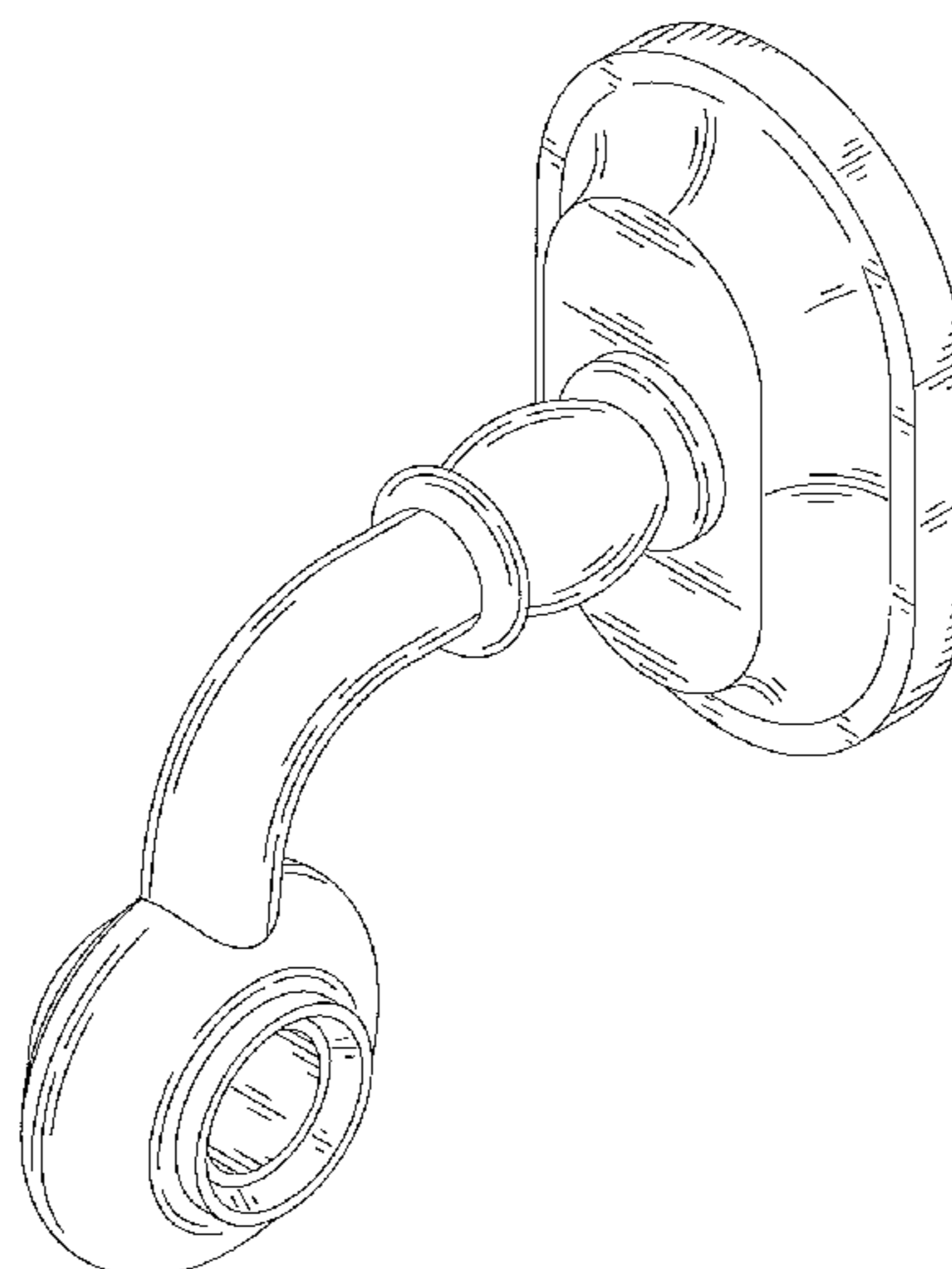
FIG. 9 is a perspective view of a second embodiment thereof, with the broken-line disclosure of a shelf being for illustrative purposes only and forming no part of the claimed design;

FIG. 10 is an additional perspective view of a second embodiment thereof, with the broken-line disclosure of a roll holder being for illustrative purposes only and forming no part of the claimed design;

FIG. 11 is a perspective view of the first embodiment thereof, shown in an alternate position, with the broken-line disclosure of a soap dish being for illustrative purposes only and forming no part of the claimed design; and,

FIG. 12 is an additional perspective of the first embodiment thereof, also shown in an alternate view, with the broken-line disclosure of a toothbrush holder being for illustrative purposes only and forming no part of the claimed design.

1 Claim, 9 Drawing Sheets



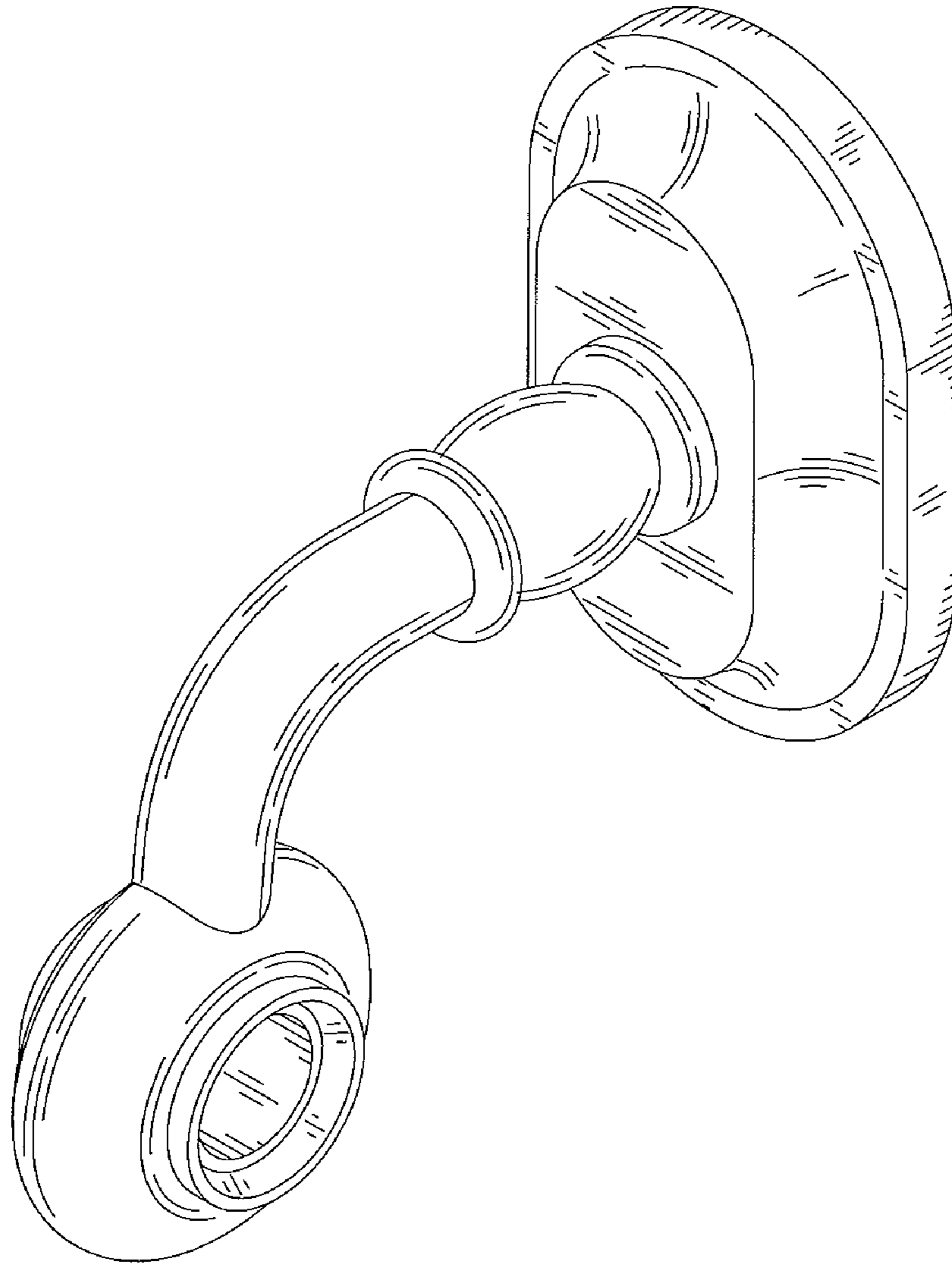


FIG. 1

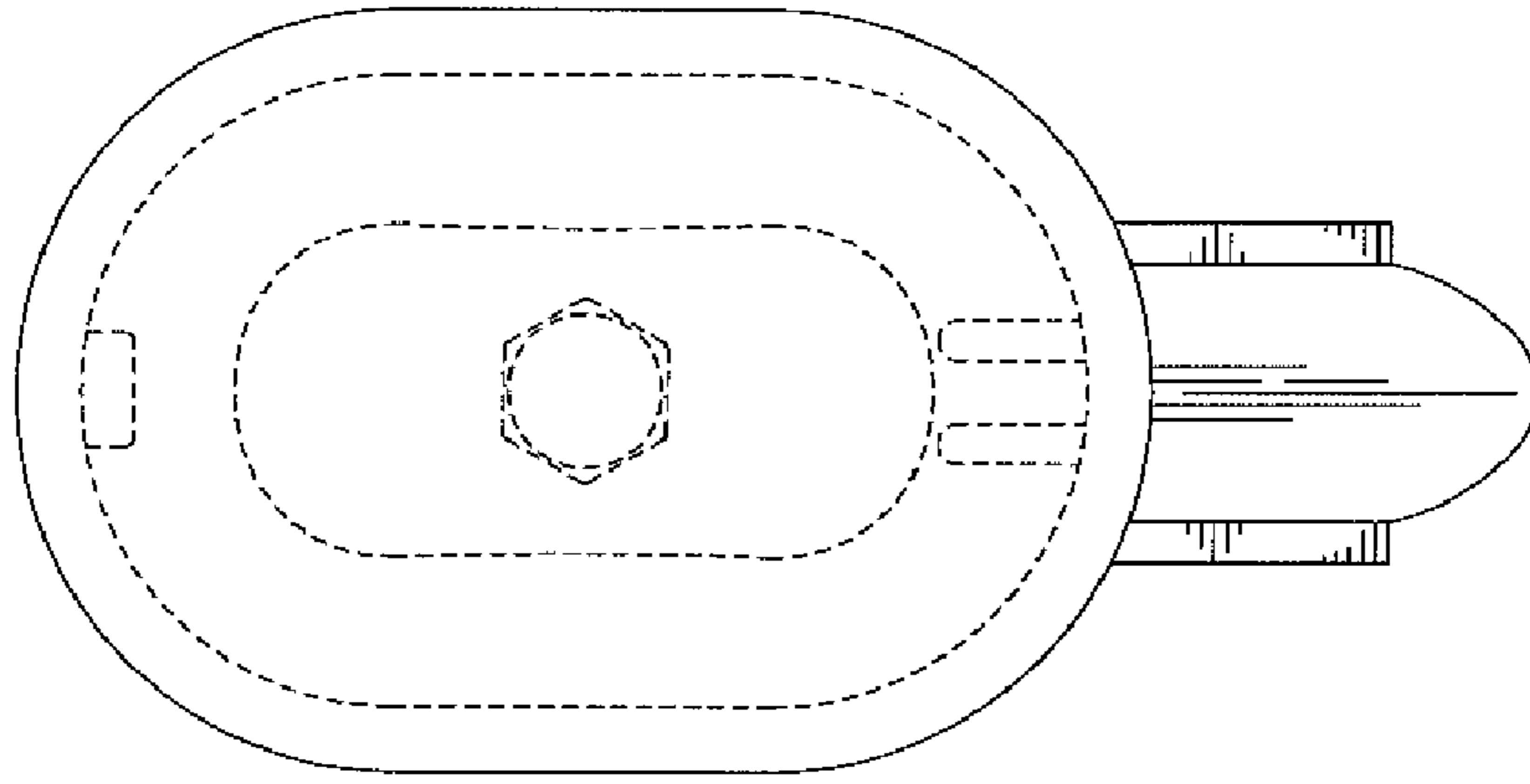


FIG. 3

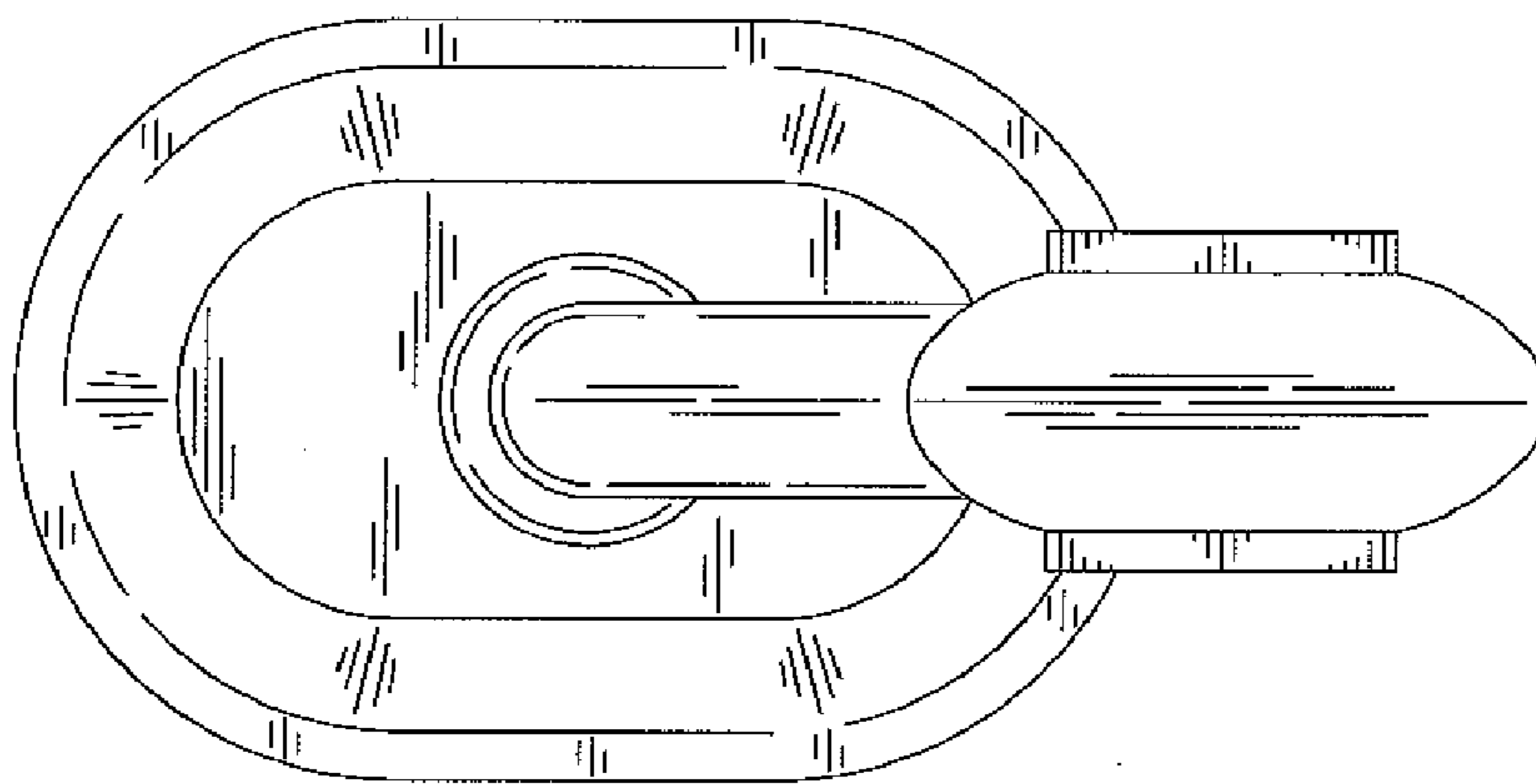


FIG. 2

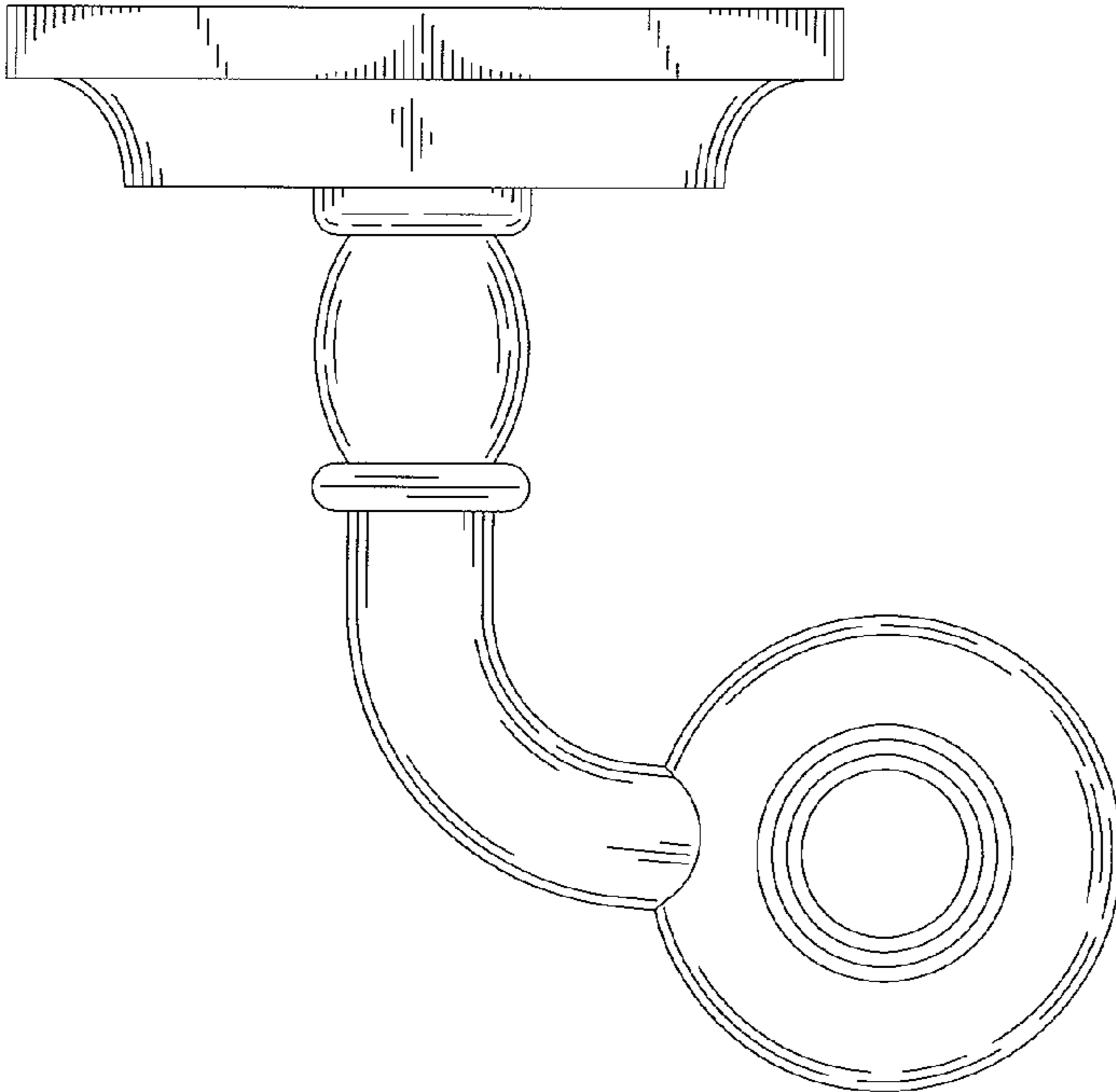


FIG. 5

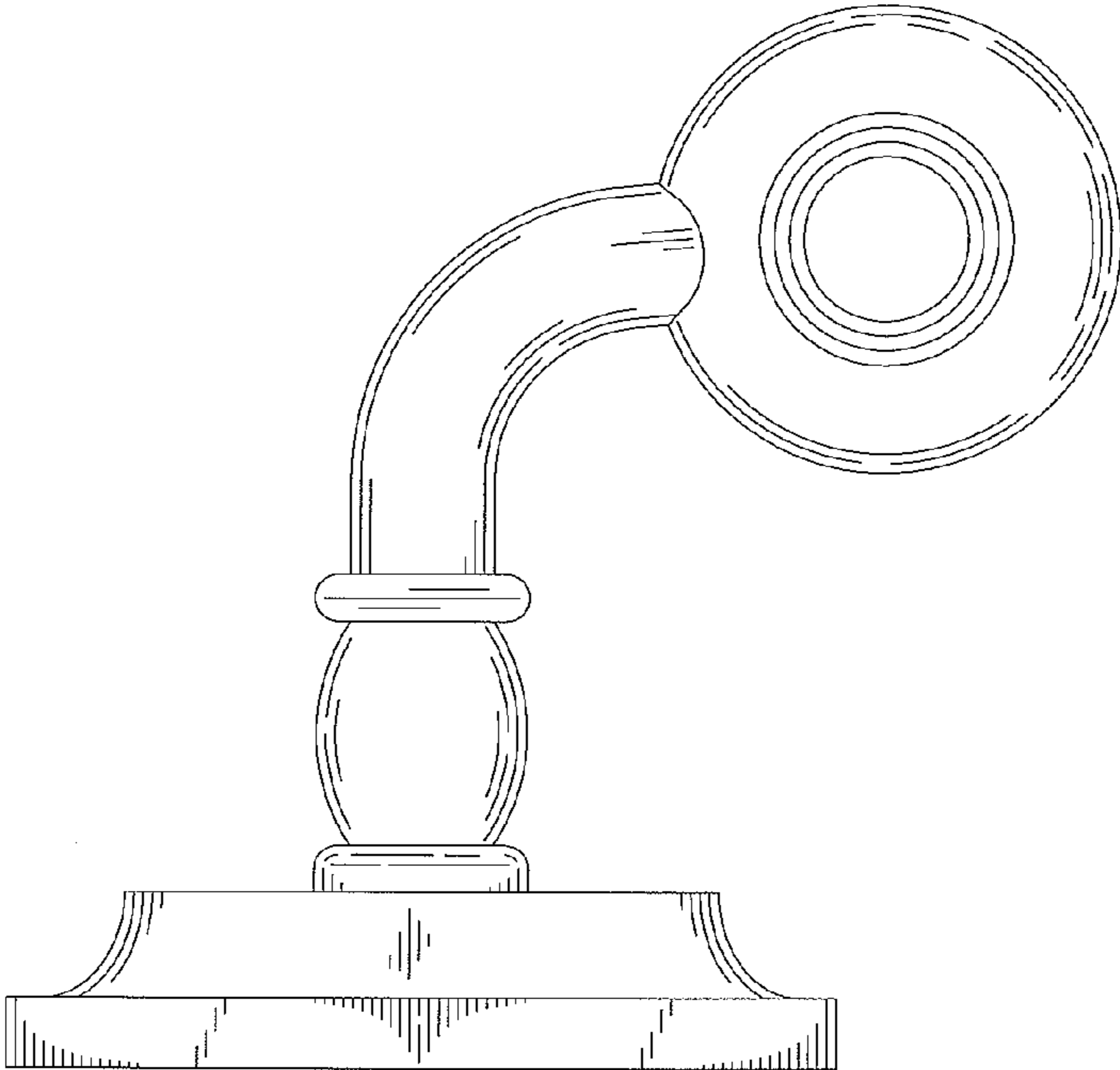


FIG. 4

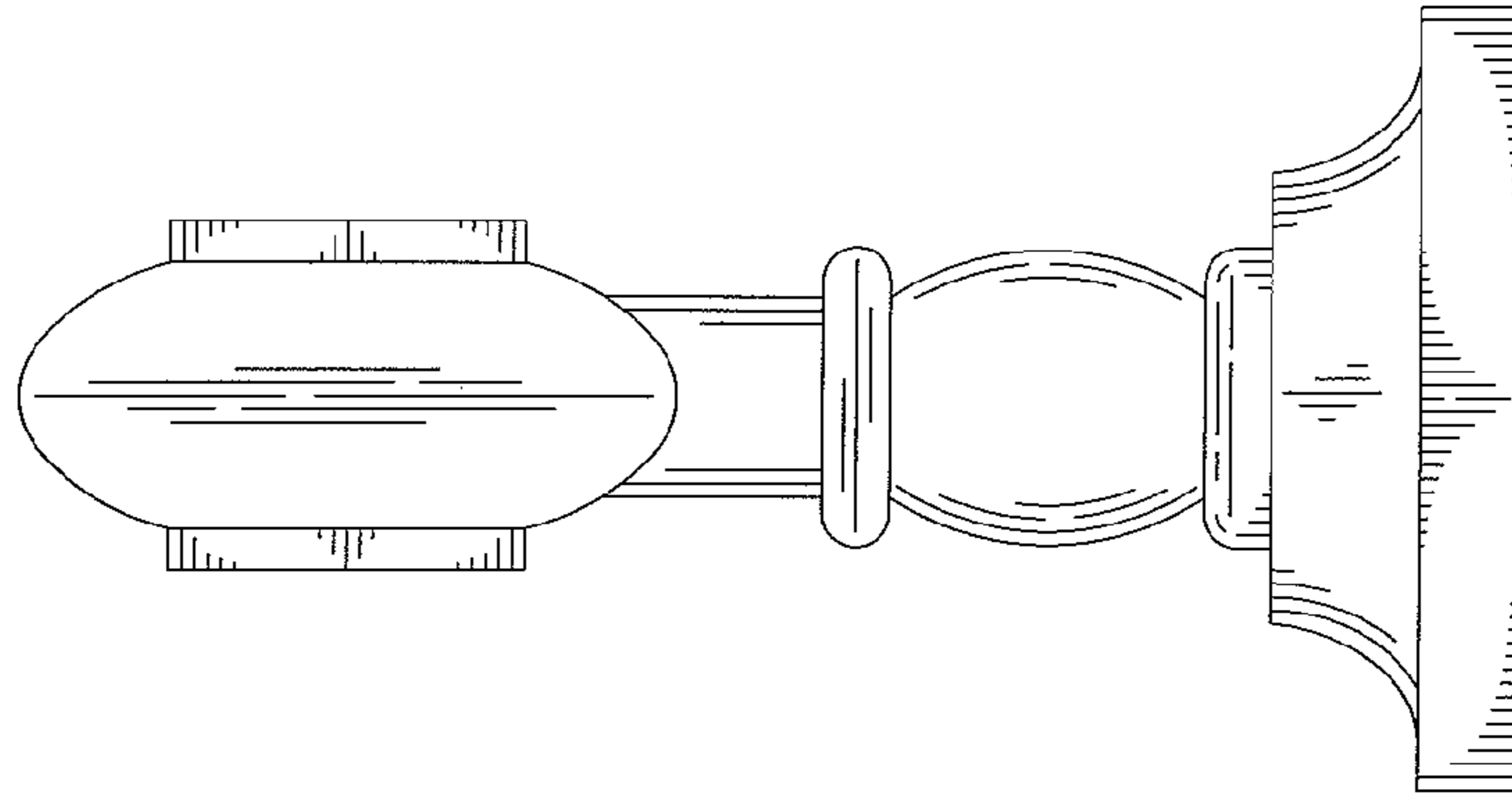


FIG. 7

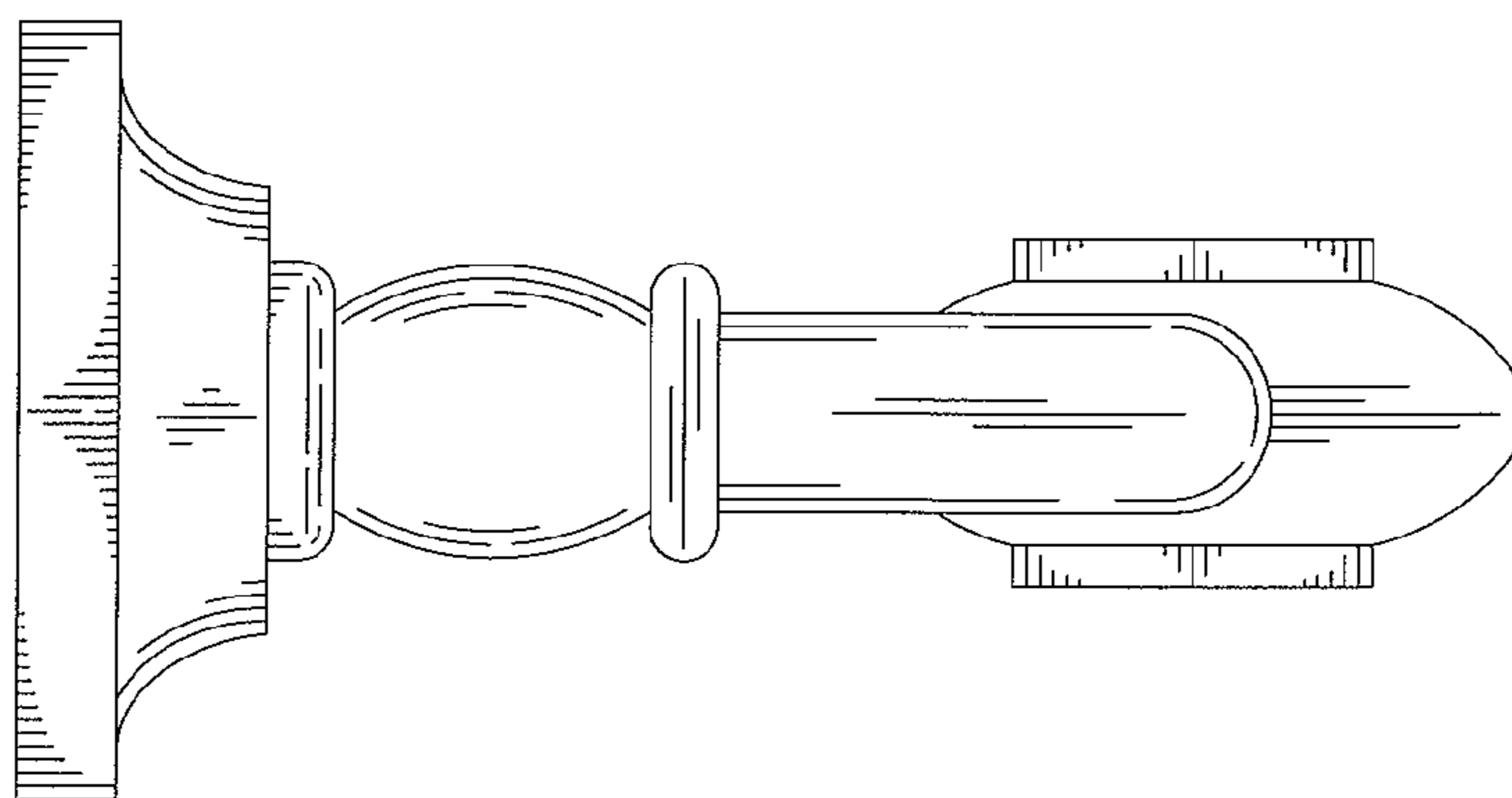


FIG. 6

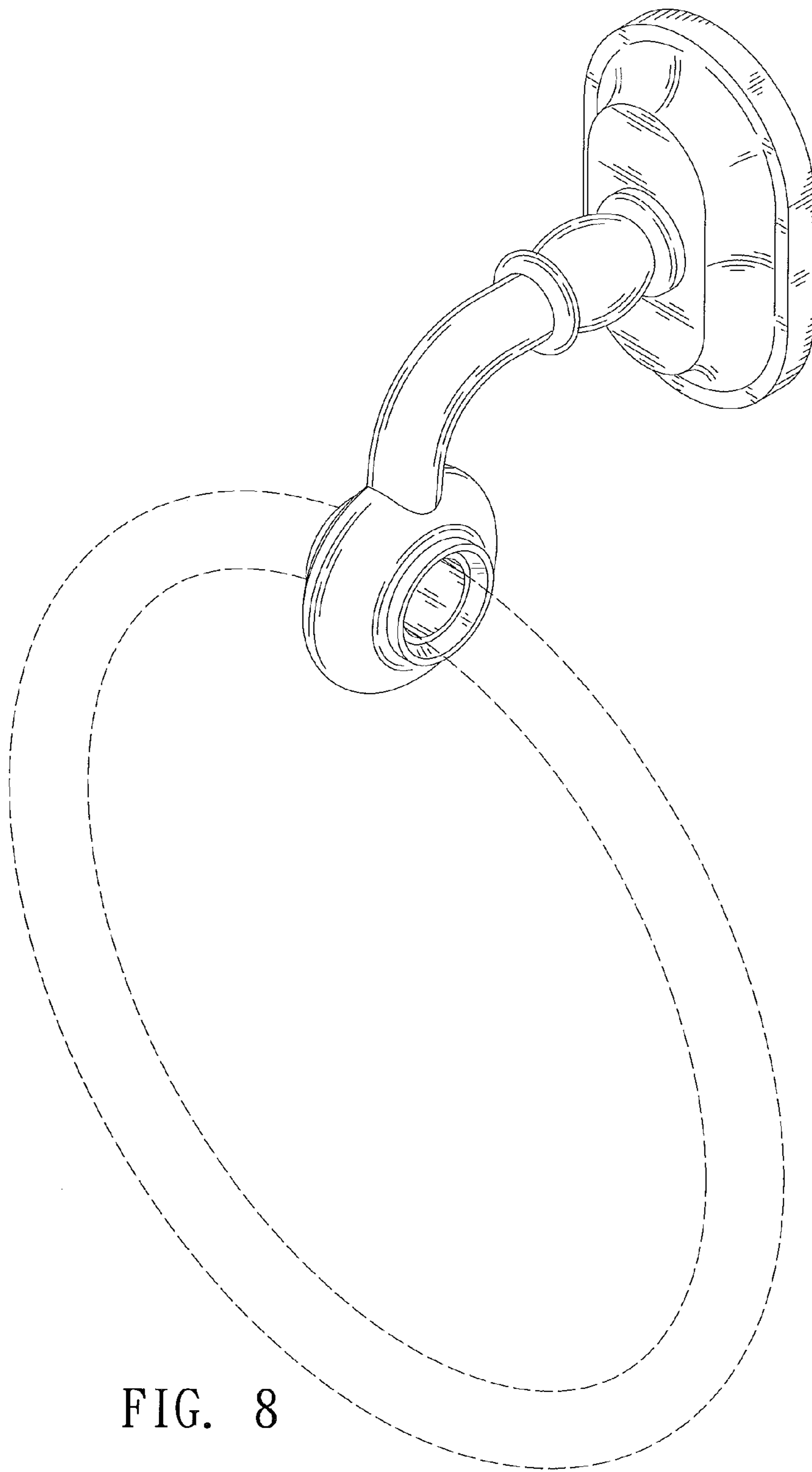


FIG. 8

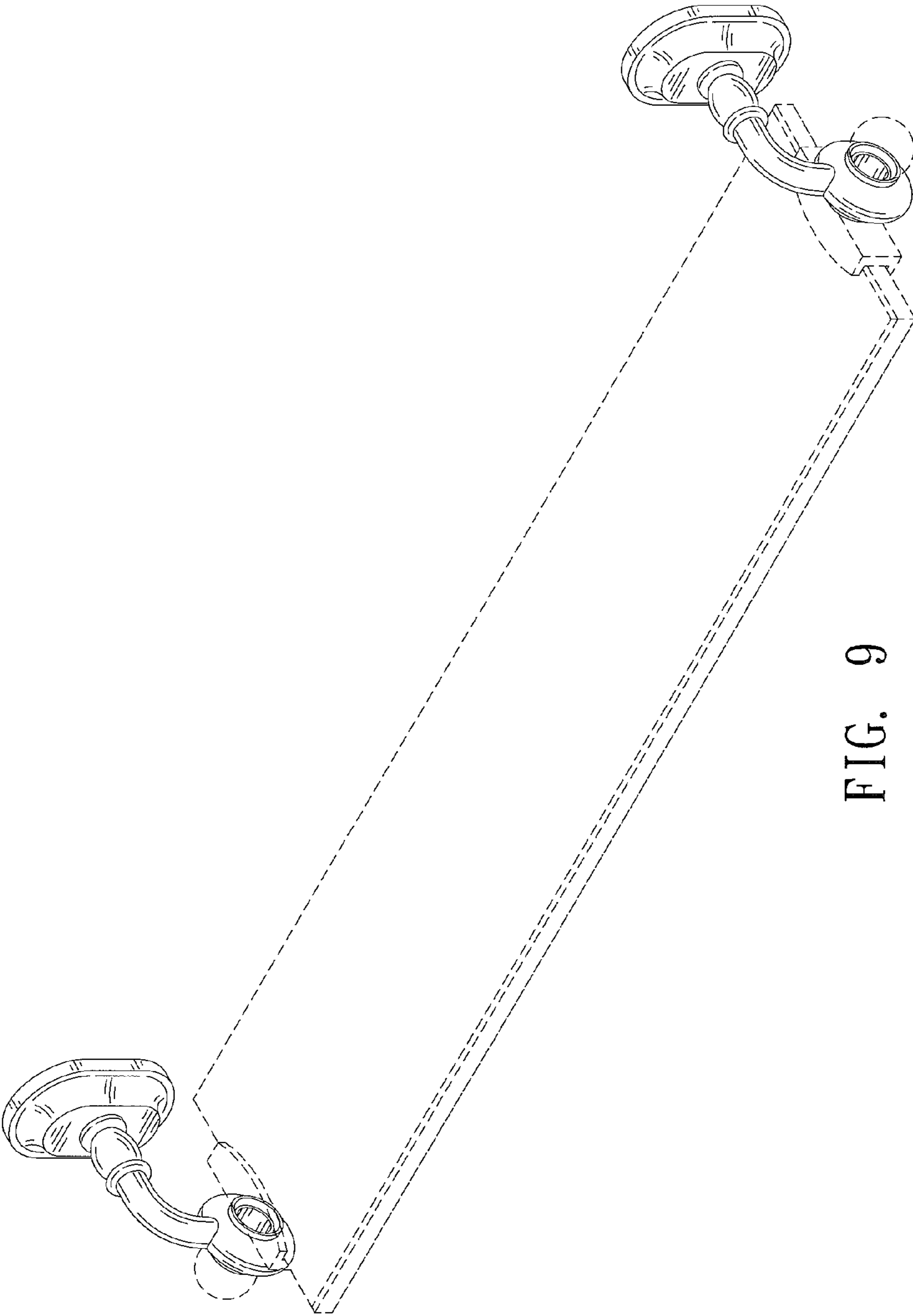


FIG. 9

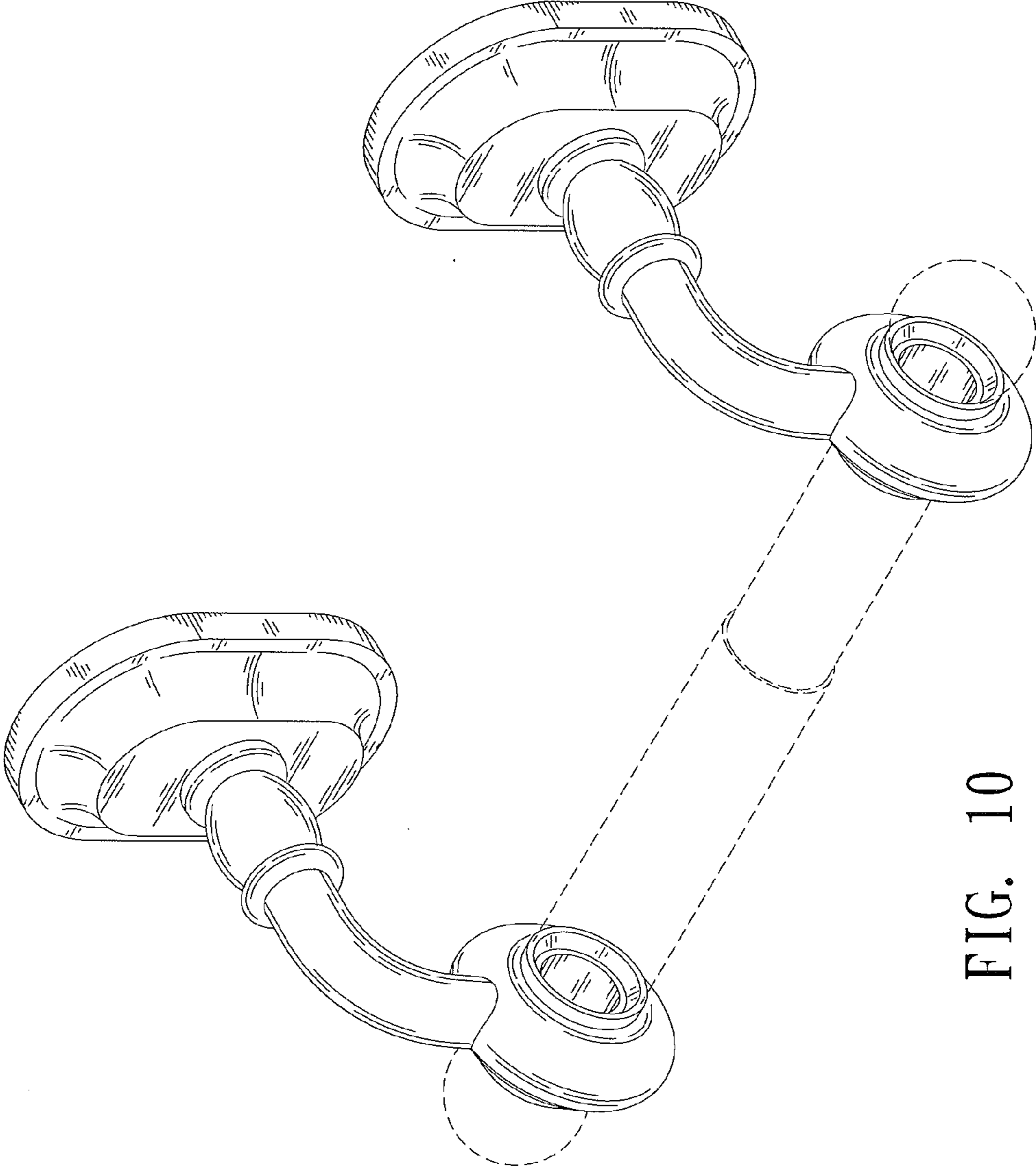


FIG. 10

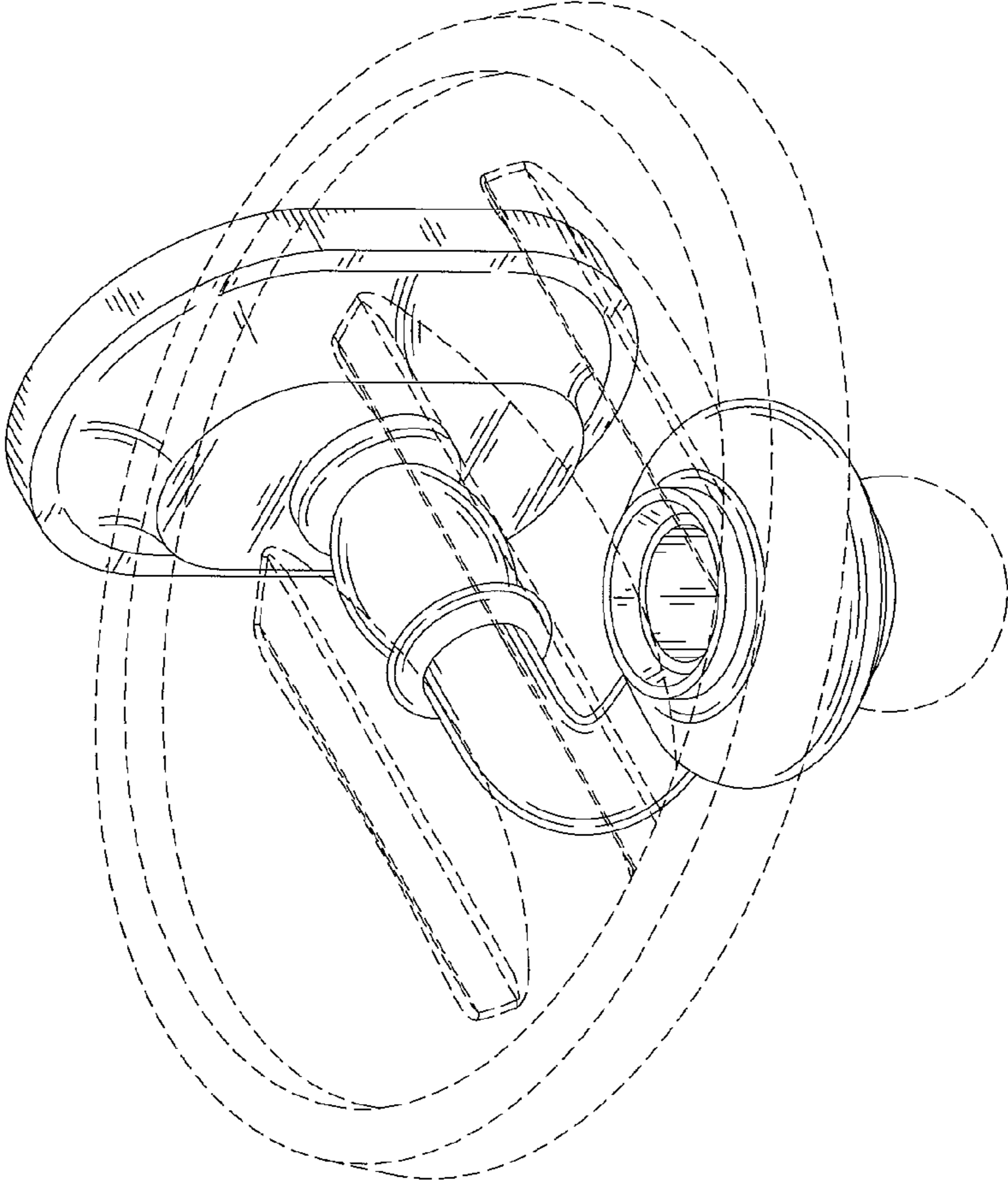


FIG. 11

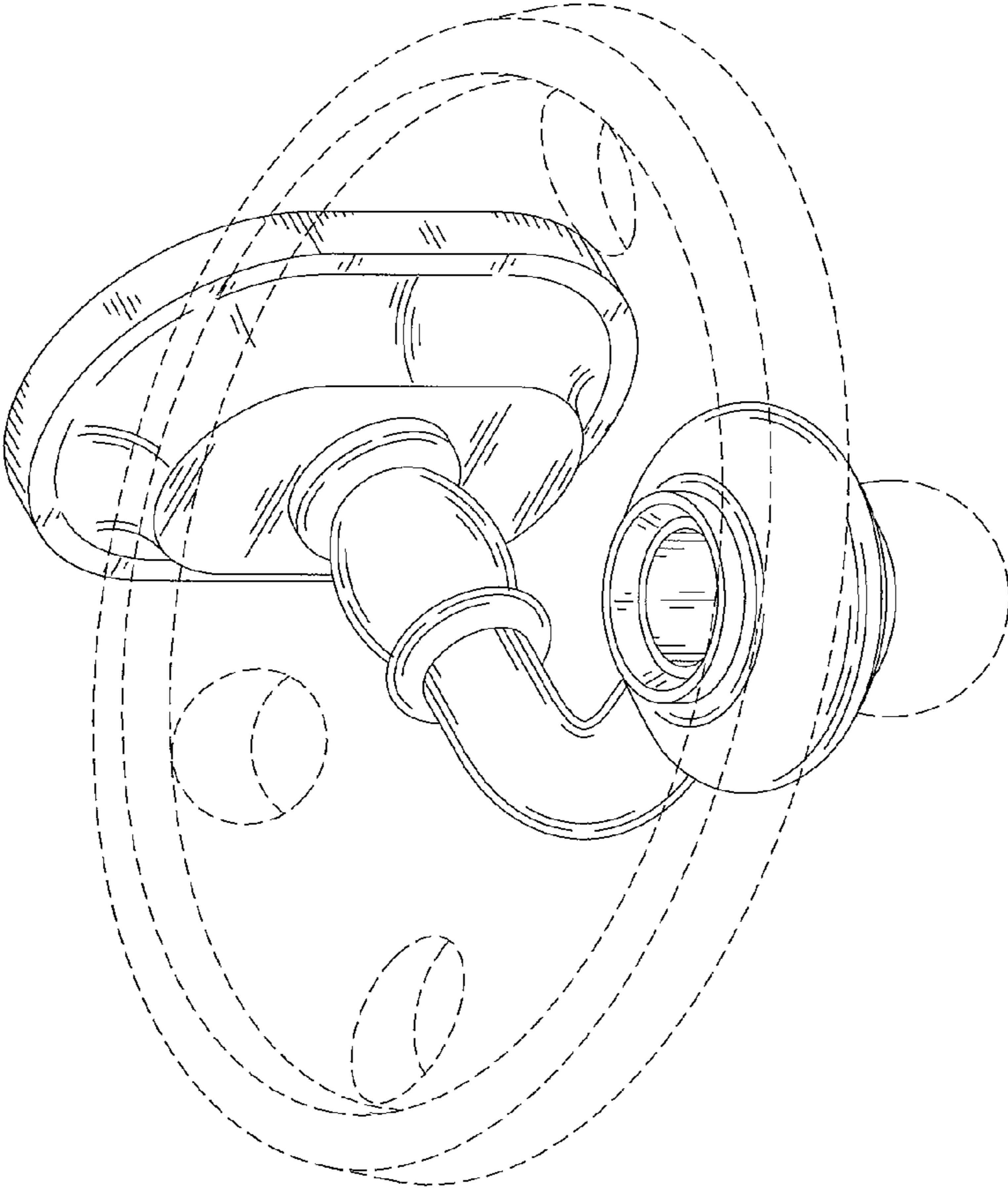


FIG. 12