



US00D615783S

(12) **United States Design Patent**
Igarashi

(10) **Patent No.:** **US D615,783 S**
(45) **Date of Patent:** **** May 18, 2010**

(54) **CHAIR**
(75) Inventor: **Ryou Igarashi**, Kanagawa (JP)
(73) Assignee: **Okamura Corporation**, Kanagawa (JP)
(**) Term: **14 Years**
(21) Appl. No.: **29/335,722**
(22) Filed: **Apr. 21, 2009**
(30) **Foreign Application Priority Data**
Oct. 24, 2008 (JP) 2008-027423

(51) **LOC (9) Cl.** **06-01**
(52) **U.S. Cl.** **D6/502**; D6/366
(58) **Field of Classification Search** D6/334-336,
D6/364, 365, 366, 367, 368, 374, 500-502;
297/300.1, 300.3, 325, 341, 342, 411.28,
297/452.21, 452.29, 452.35
See application file for complete search history.

(56) **References Cited**

U.S. PATENT DOCUMENTS

4,560,199 A * 12/1985 Sapper 297/323
4,804,227 A * 2/1989 Hansen 297/300.1
D488,313 S * 4/2004 Seiler D6/366
6,957,863 B2 * 10/2005 Heidmann et al. 297/300.1
D523,252 S * 6/2006 Rodriguez Leitao D6/366
D528,810 S * 9/2006 Giugiaro D6/366
D543,039 S * 5/2007 Hara D6/366

D543,040 S * 5/2007 Hara D6/366
D543,041 S * 5/2007 Hara D6/366
D605,865 S * 12/2009 Igarashi D6/365
D605,866 S * 12/2009 Igarashi D6/365
2005/0029848 A1 * 2/2005 Heidmann et al. 297/300.1

* cited by examiner

Primary Examiner—Mimosa De

(74) *Attorney, Agent, or Firm*—Sughrue Mion, PLLC

(57) **CLAIM**

The ornamental design for a chair, as shown and described.

DESCRIPTION

FIG. 1 is a perspective view from the front side of a chair.
FIG. 2 is a perspective view from the rear side thereof.
FIG. 3 is a front elevation view thereof.
FIG. 4 is a right side elevation view thereof. A left side elevation view is omitted because it is symmetrical to the right side elevation view.
FIG. 5 is a top plan view thereof.
FIG. 6 is a rear elevation view thereof.
FIG. 7 is a bottom plan view thereof; and,
FIG. 8 is a right side elevation view thereof when it is sat on.
The portion of the article shown in broken lines is for the purpose of showing environmental structure only and forms no part of the claimed design.

1 Claim, 8 Drawing Sheets

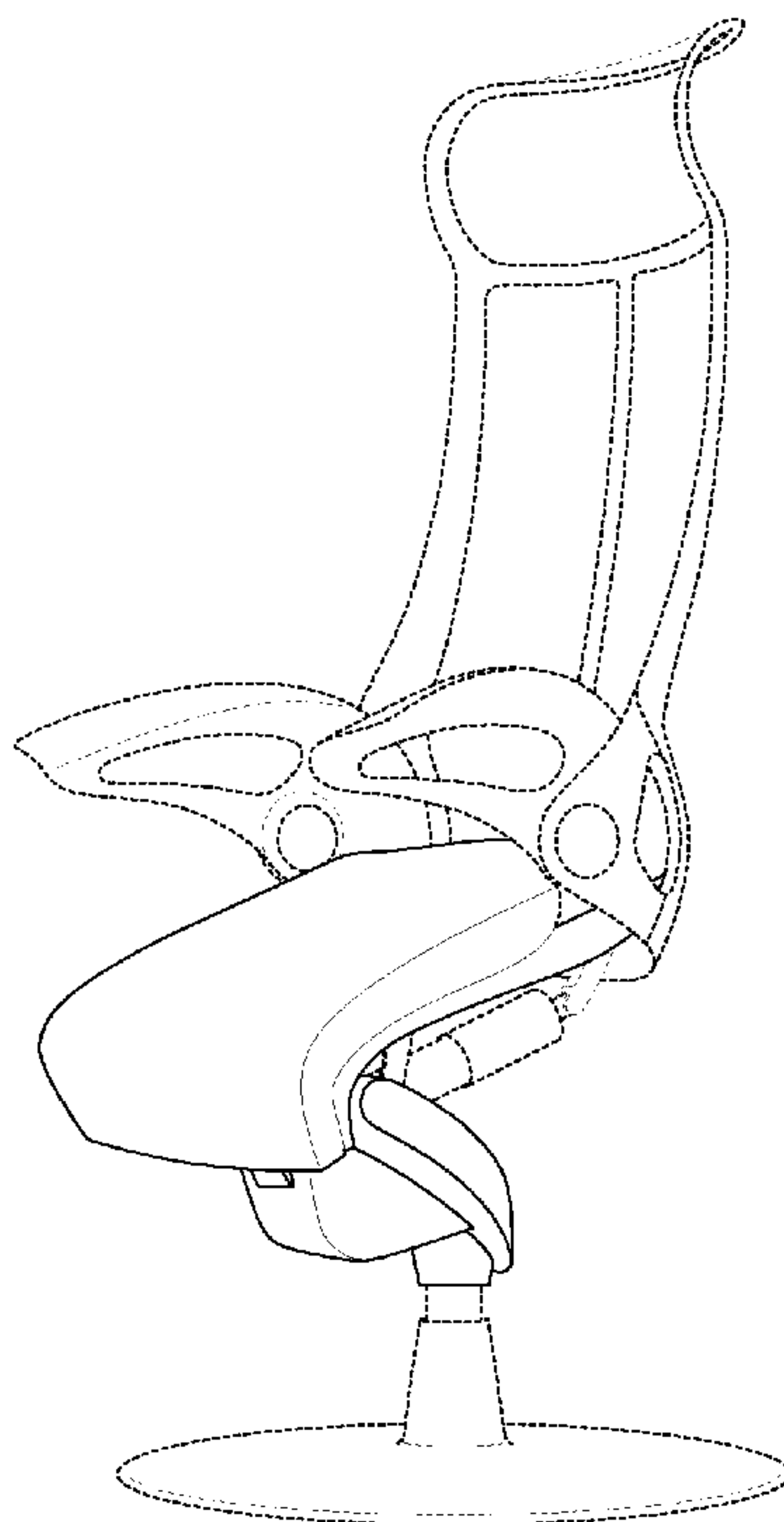


FIG. 1

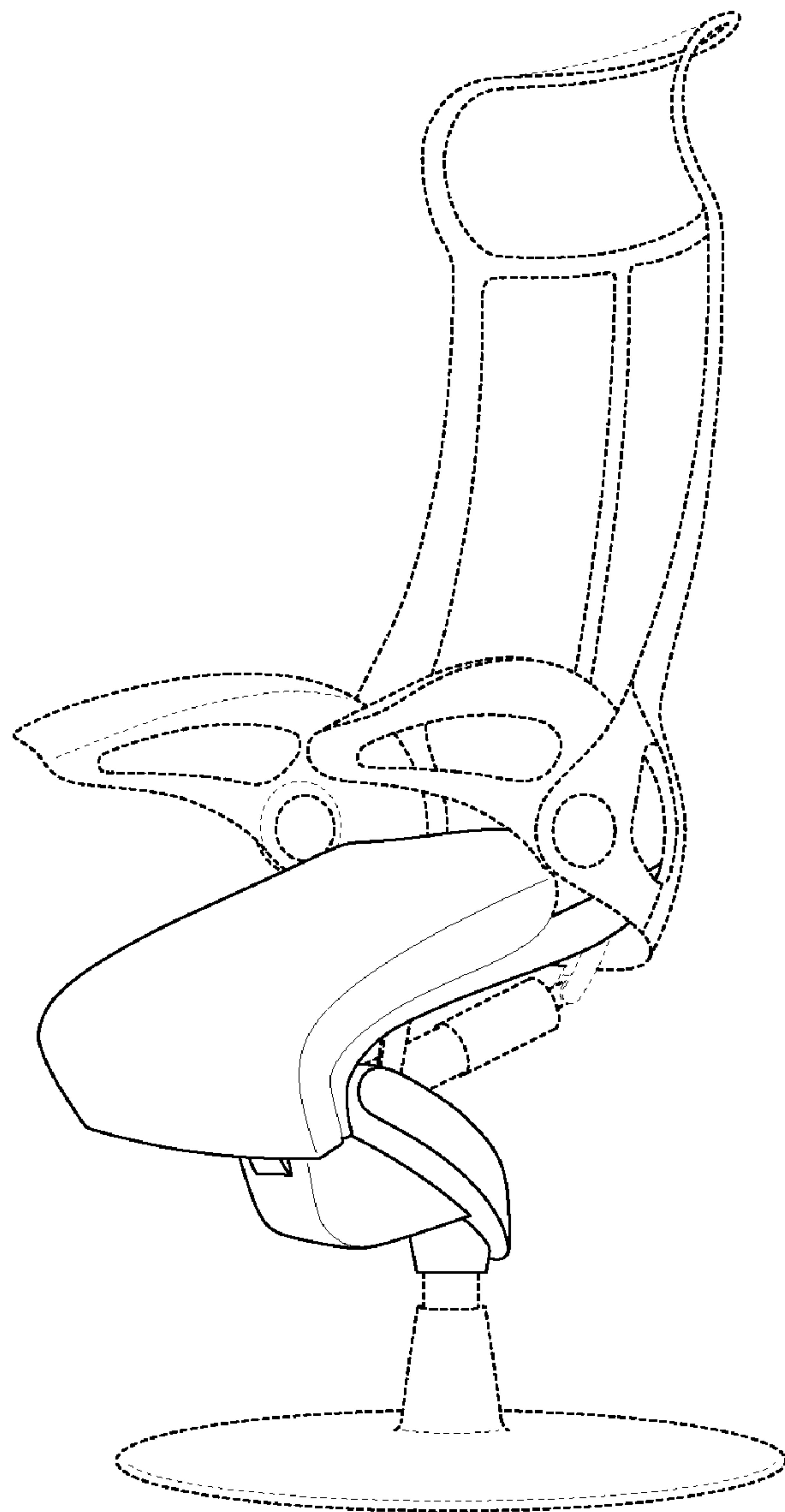


FIG. 2

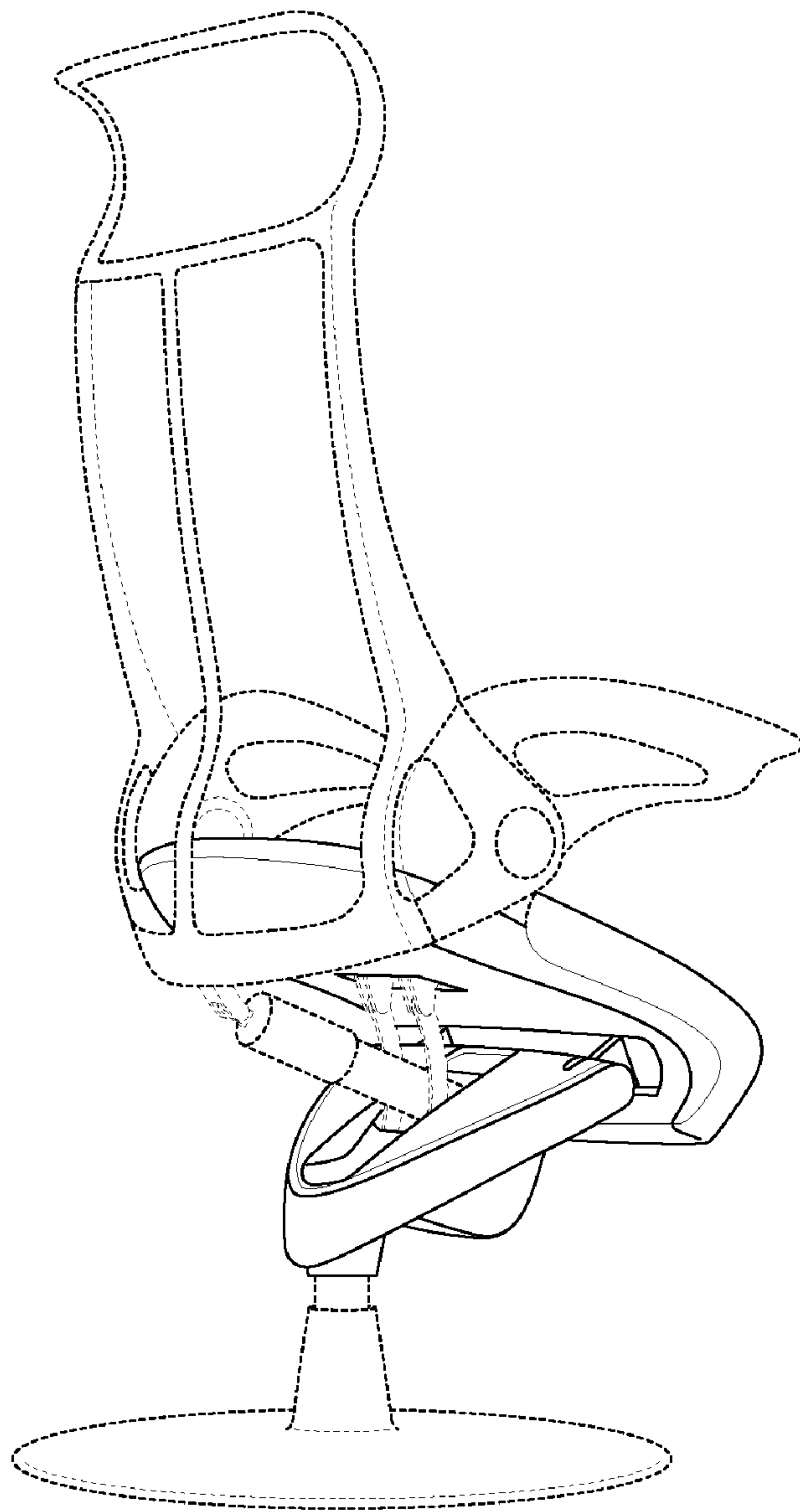


FIG. 3

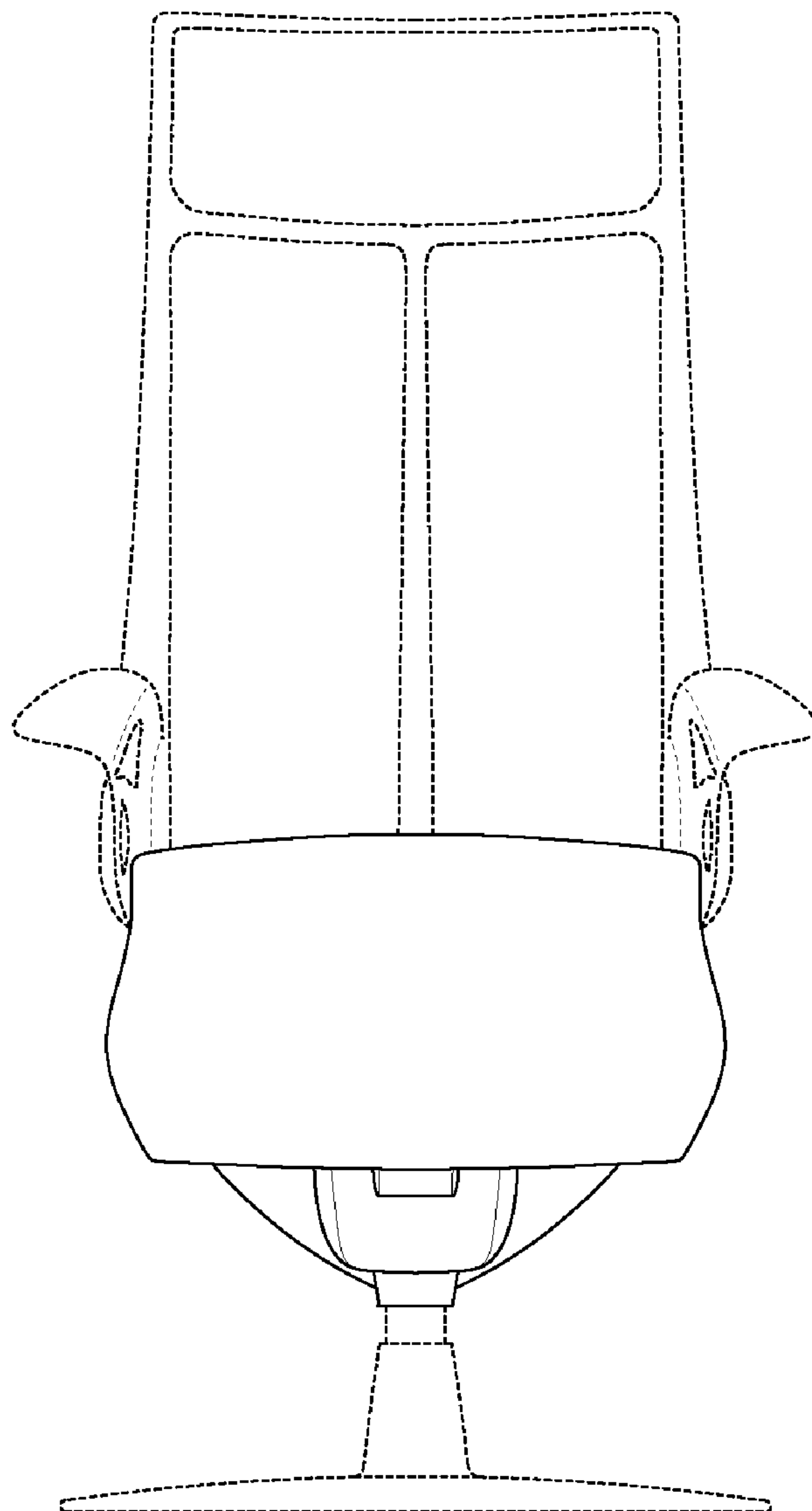


FIG. 4

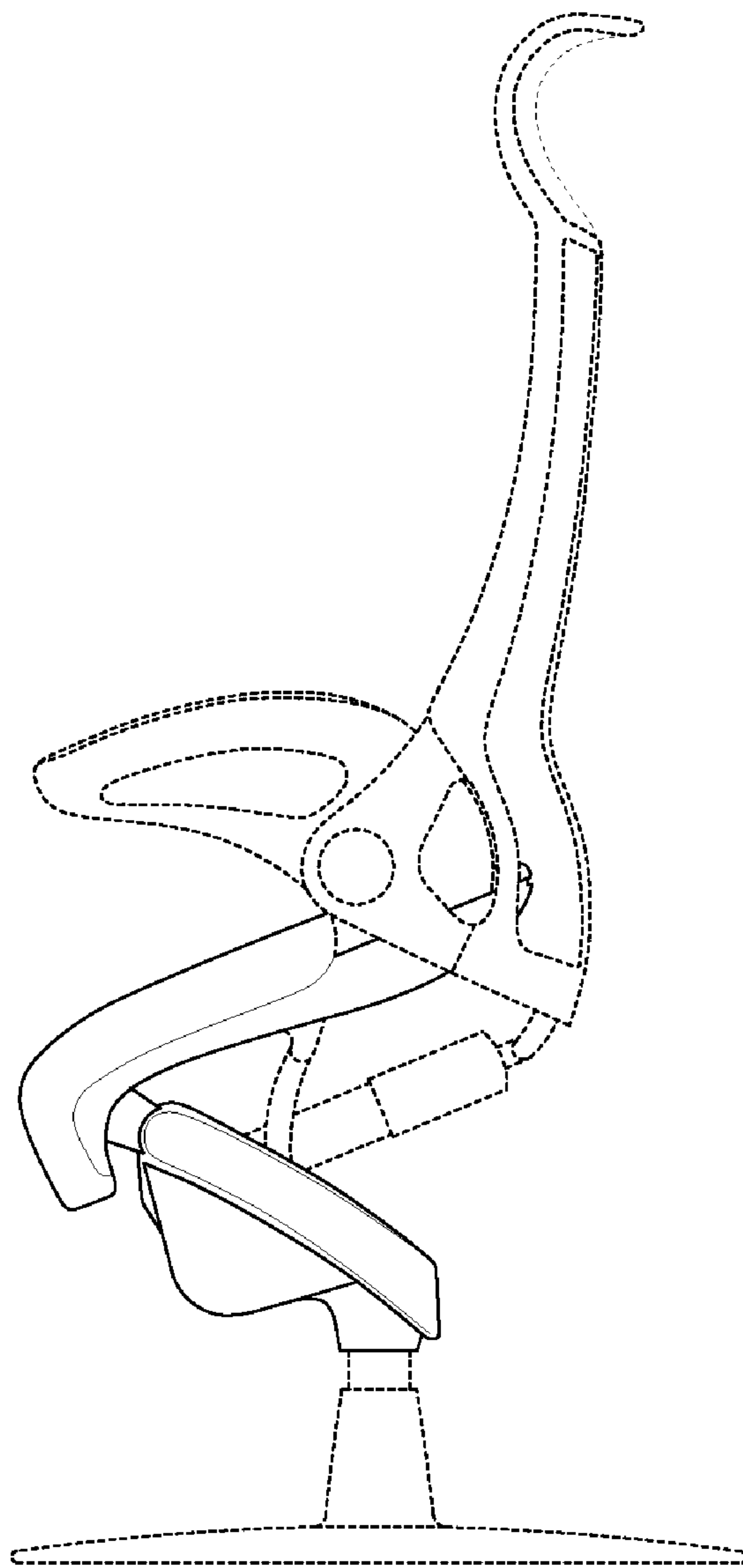


FIG. 5

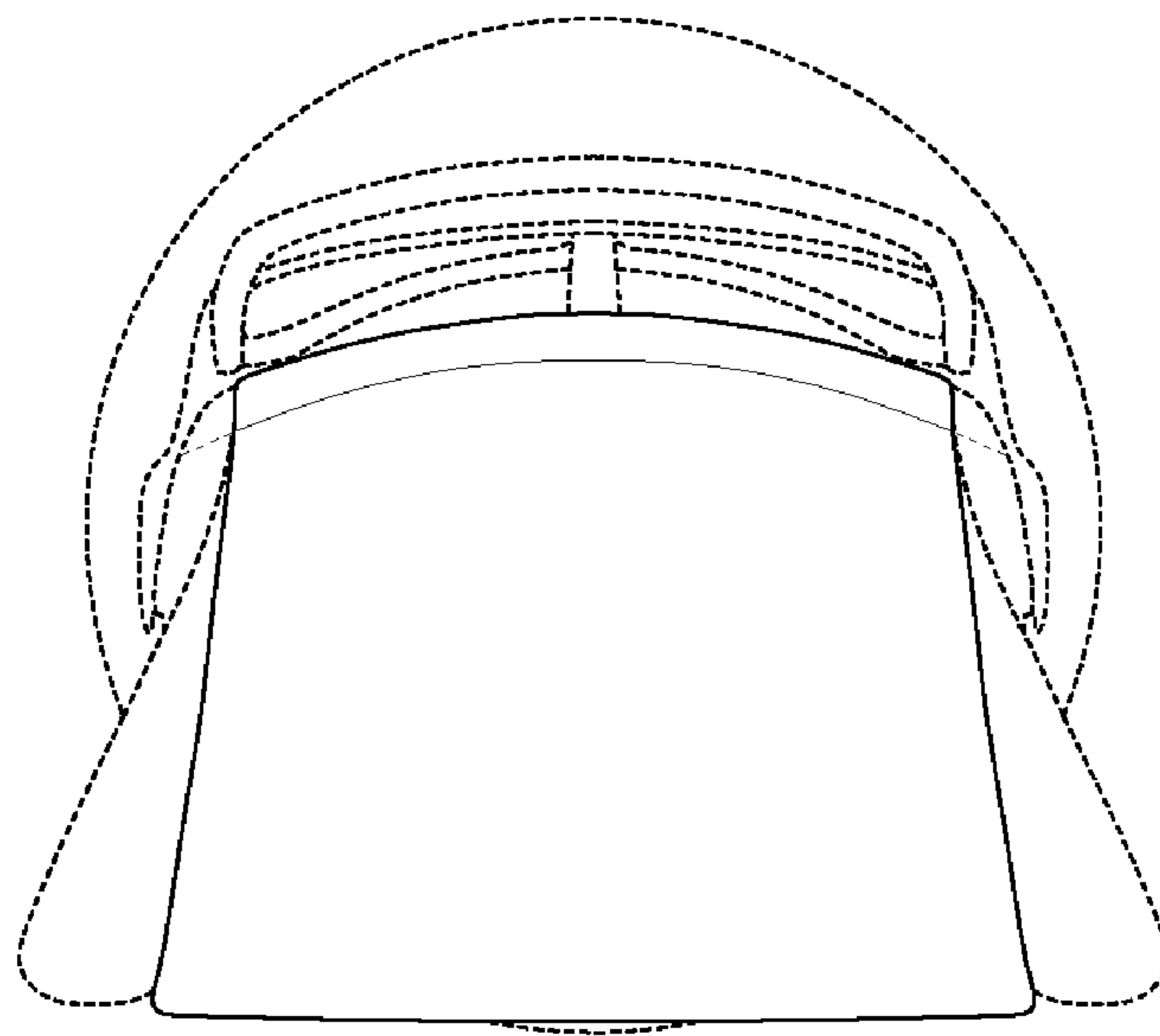


FIG. 6

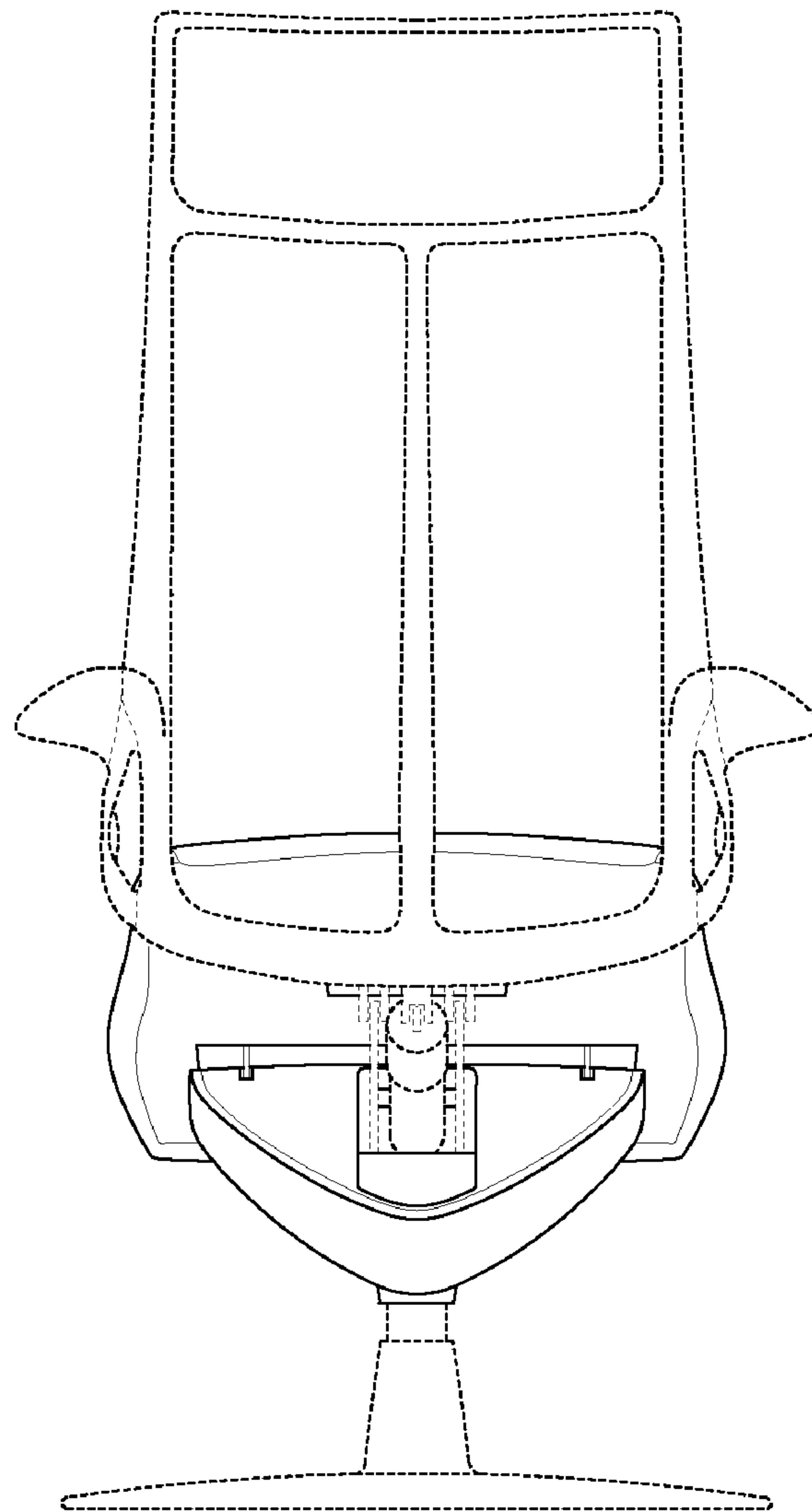


FIG. 7

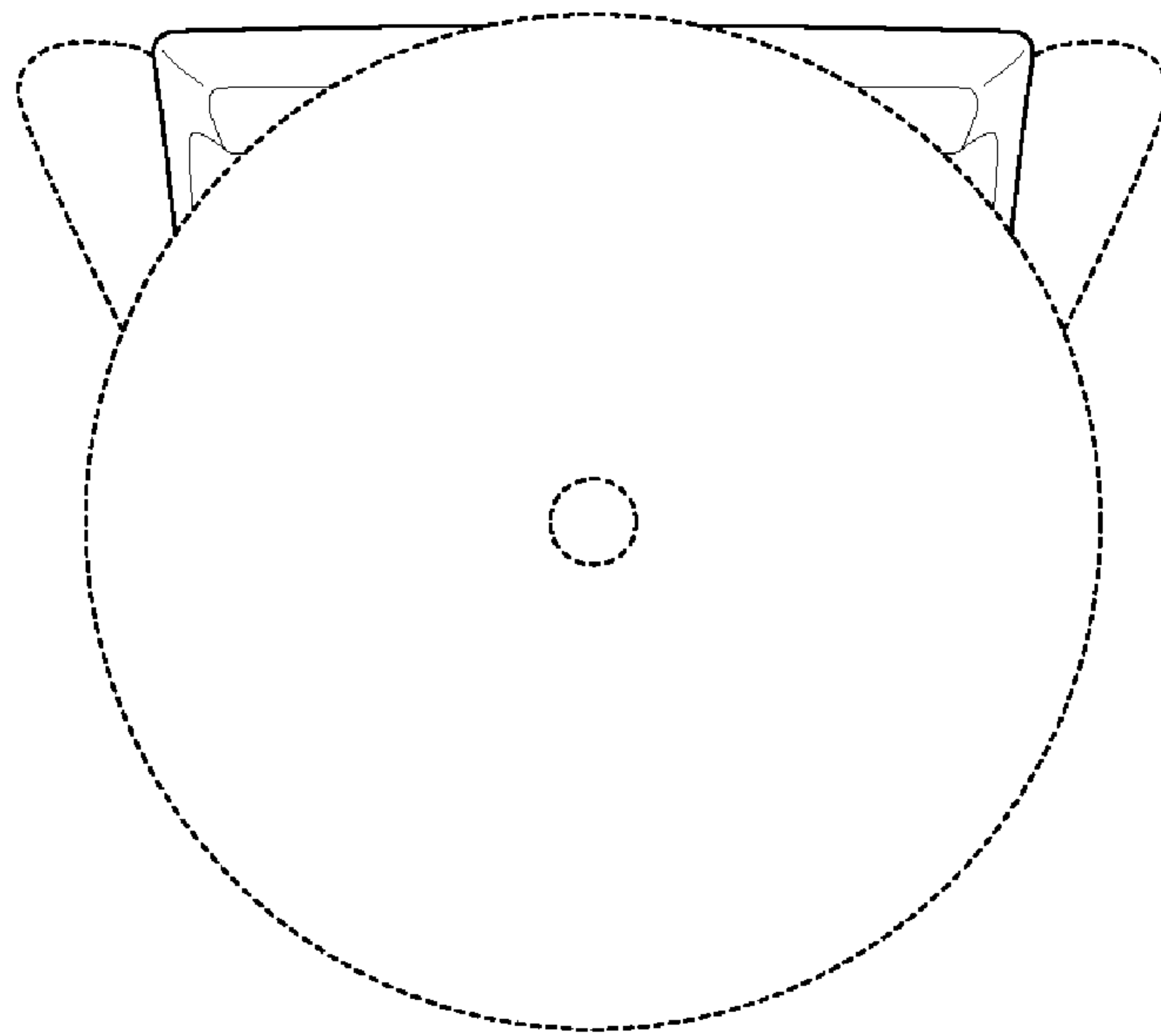


FIG. 8

