



US00D615780S

(12) **United States Design Patent**  
**Kwon et al.**

(10) **Patent No.:** **US D615,780 S**

(45) **Date of Patent:** **\*\* May 18, 2010**

(54) **BABY SUN VISOR**

(76) Inventors: **Esther Kwon**, 525 S. Berendo St. #115,  
Los Angeles, CA (US) 90020; **Sang**  
**Hoon Lee**, 525 S. Berendo St. #115, Los  
Angeles, CA (US) 90020

(\*\*) Term: **14 Years**

(21) Appl. No.: **29/338,678**

(22) Filed: **Jun. 16, 2009**

(51) **LOC (9) Cl.** ..... **06-01**

(52) **U.S. Cl.** ..... **D6/491**

(58) **Field of Classification Search** ..... D6/333,  
D6/335, 339, 491, 500-502; D12/129; D21/412,  
D21/419; 280/30, 31; 5/94, 98.1, 99.1, 101,  
5/102, 105, 655; 297/183.1, 183.2, 183.3,  
297/183.4, 184.13, 184.15, 184.17, 250.1,  
297/255, 256.1, 256.15, 256.16; 24/200,  
24/211; D3/6

See application file for complete search history.

(56) **References Cited**

**U.S. PATENT DOCUMENTS**

3,741,579 A \* 6/1973 Kirsch ..... 280/47.38  
4,293,162 A \* 10/1981 Pap et al. .... 297/184.15  
4,583,779 A \* 4/1986 Myers ..... 297/184.13  
D288,757 S \* 3/1987 Hoeckel ..... D6/491

D291,515 S \* 8/1987 Stephens et al. .... D6/491  
D325,836 S \* 5/1992 Morton ..... D6/491  
D347,737 S \* 6/1994 Allard et al. .... D6/333  
D365,710 S \* 1/1996 Cunningham ..... D24/204  
D396,207 S \* 7/1998 Berkey ..... D12/133  
D402,234 S \* 12/1998 Julien et al. .... D12/129  
D429,923 S \* 8/2000 Meglino et al. .... D6/491

\* cited by examiner

*Primary Examiner*—Sandra Snapp

(74) *Attorney, Agent, or Firm*—John K. Park; Park Law Firm

(57) **CLAIM**

The ornamental design for a baby sun visor, as shown and described.

**DESCRIPTION**

FIG. 1 is a perspective view of a baby sun visor showing my new design;

FIG. 2 is a front elevation view thereof;

FIG. 3 is a rear elevation view thereof;

FIG. 4 is a side elevation view thereof;

FIG. 5 is a top plan view thereof; and,

FIG. 6 is a bottom plan view thereof.

The broken line showing of environment is for illustrative purposes only and forms no part of the claimed design.

**1 Claim, 3 Drawing Sheets**

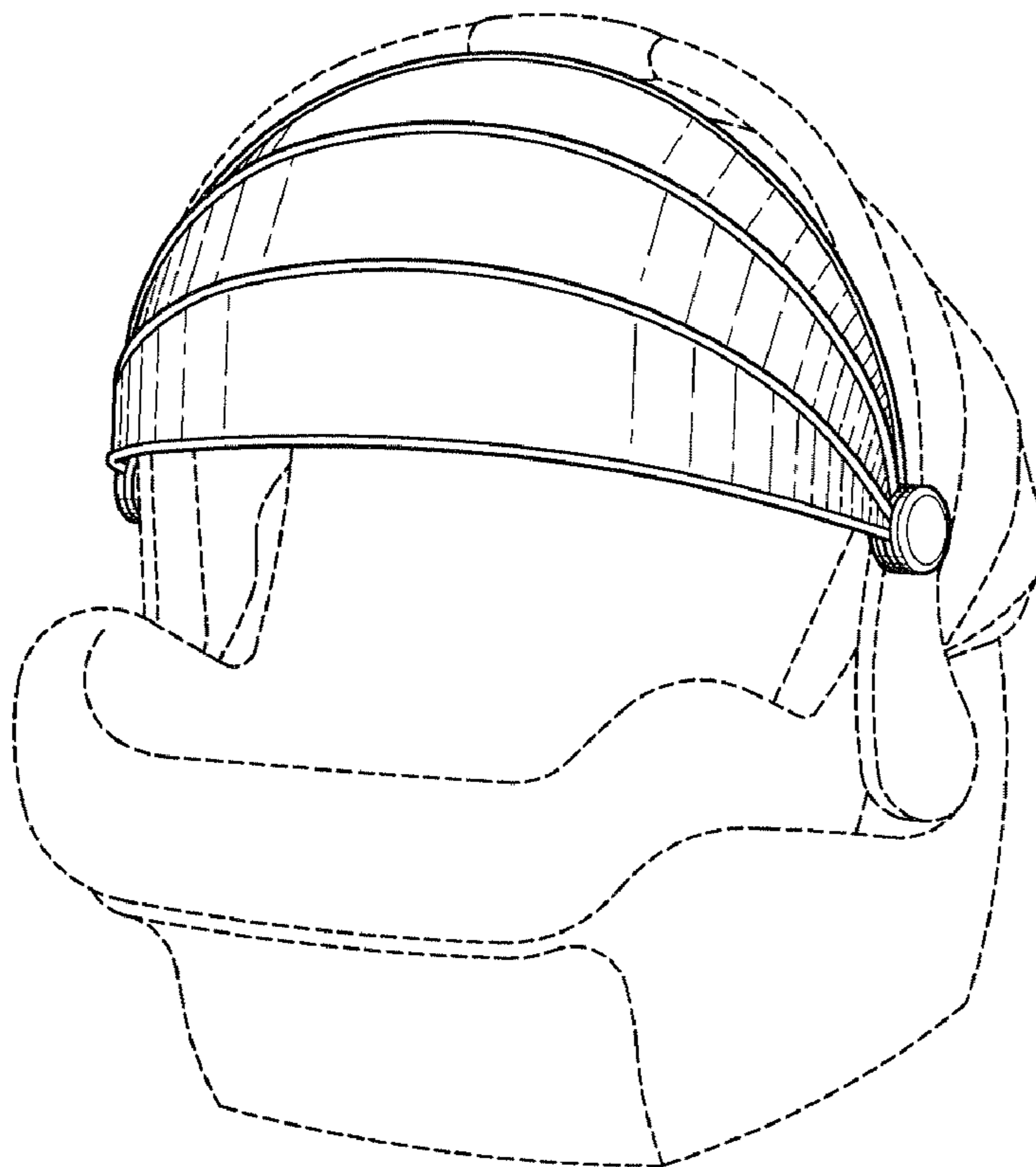


FIG. 1

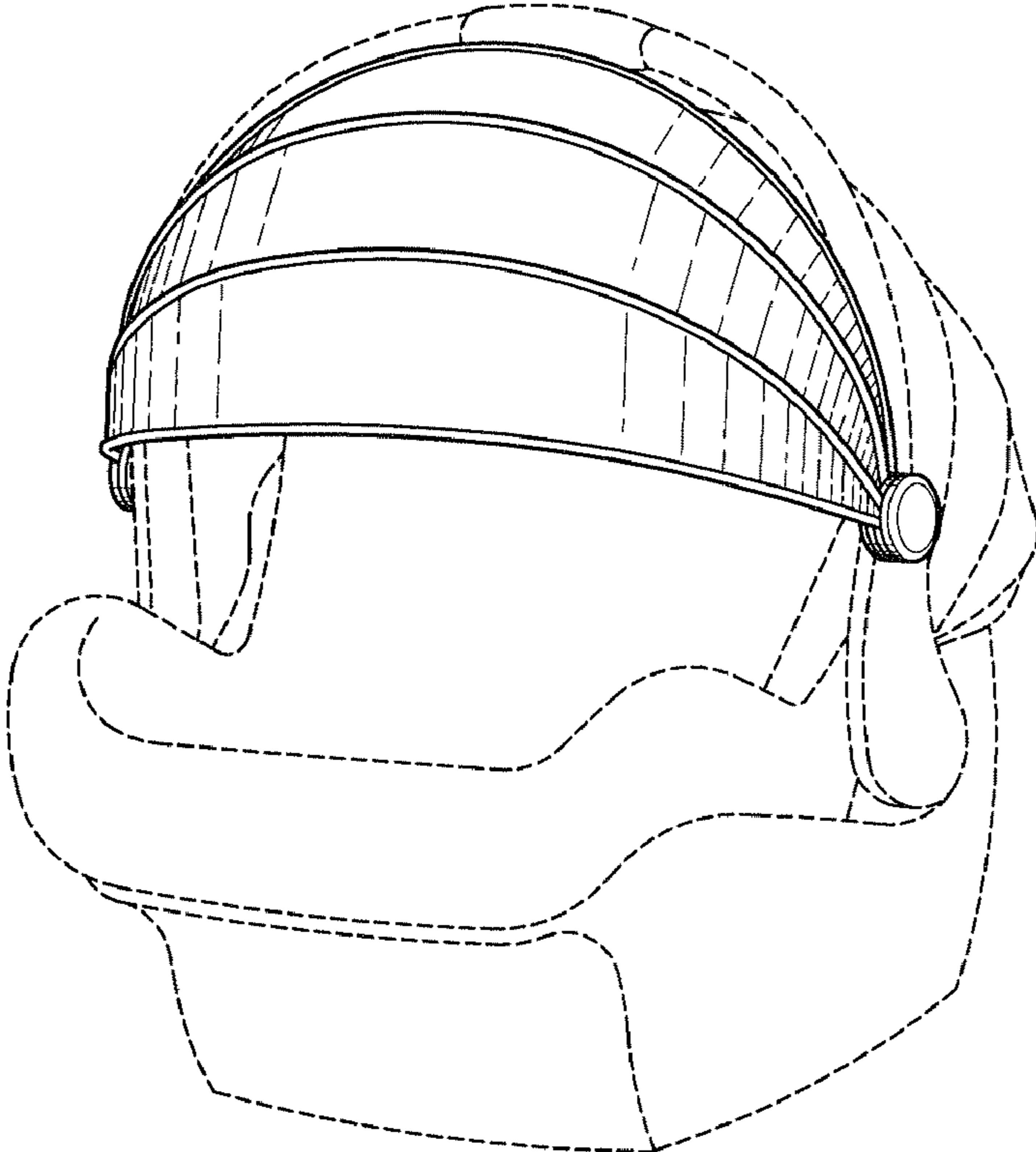


FIG. 2

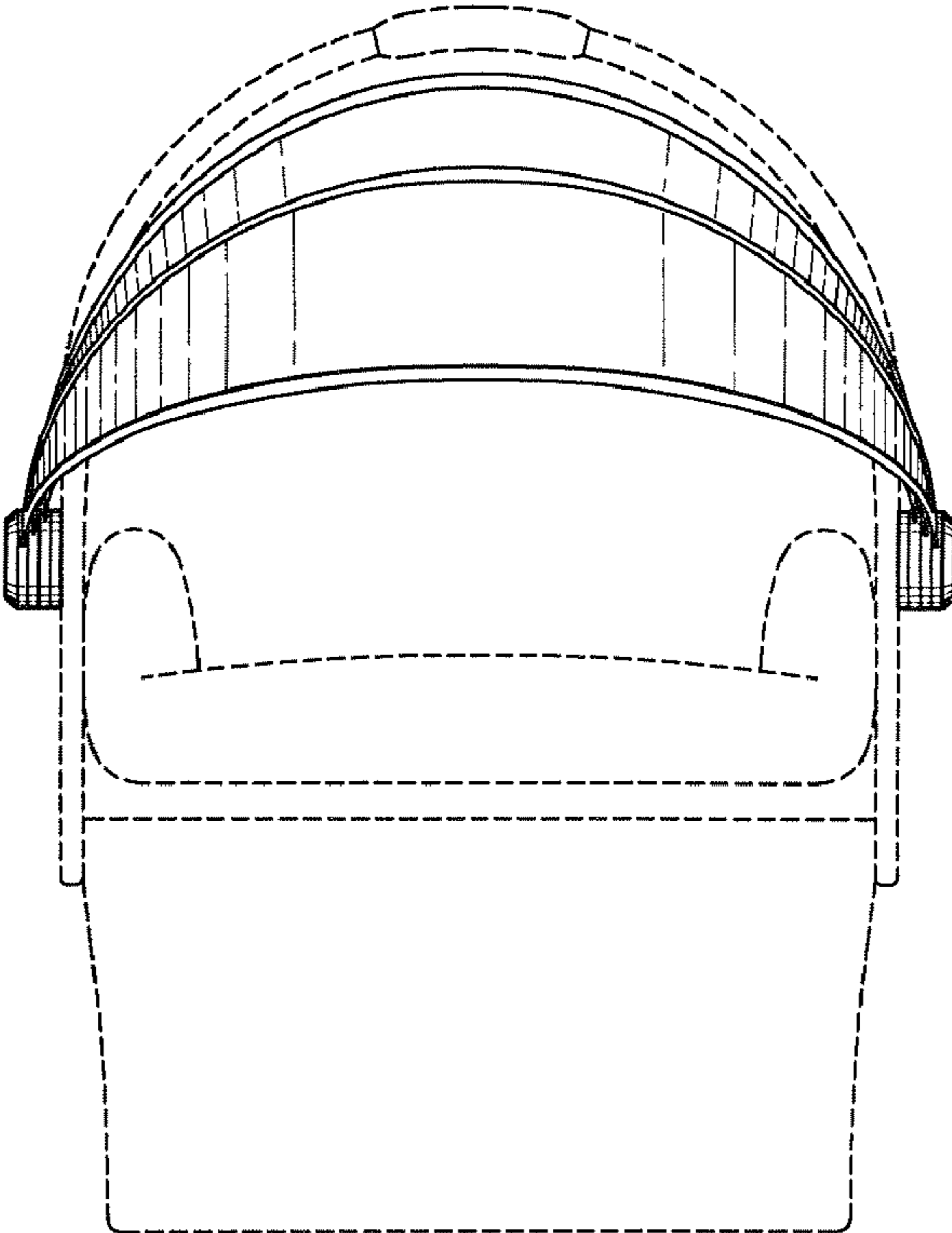


FIG. 3

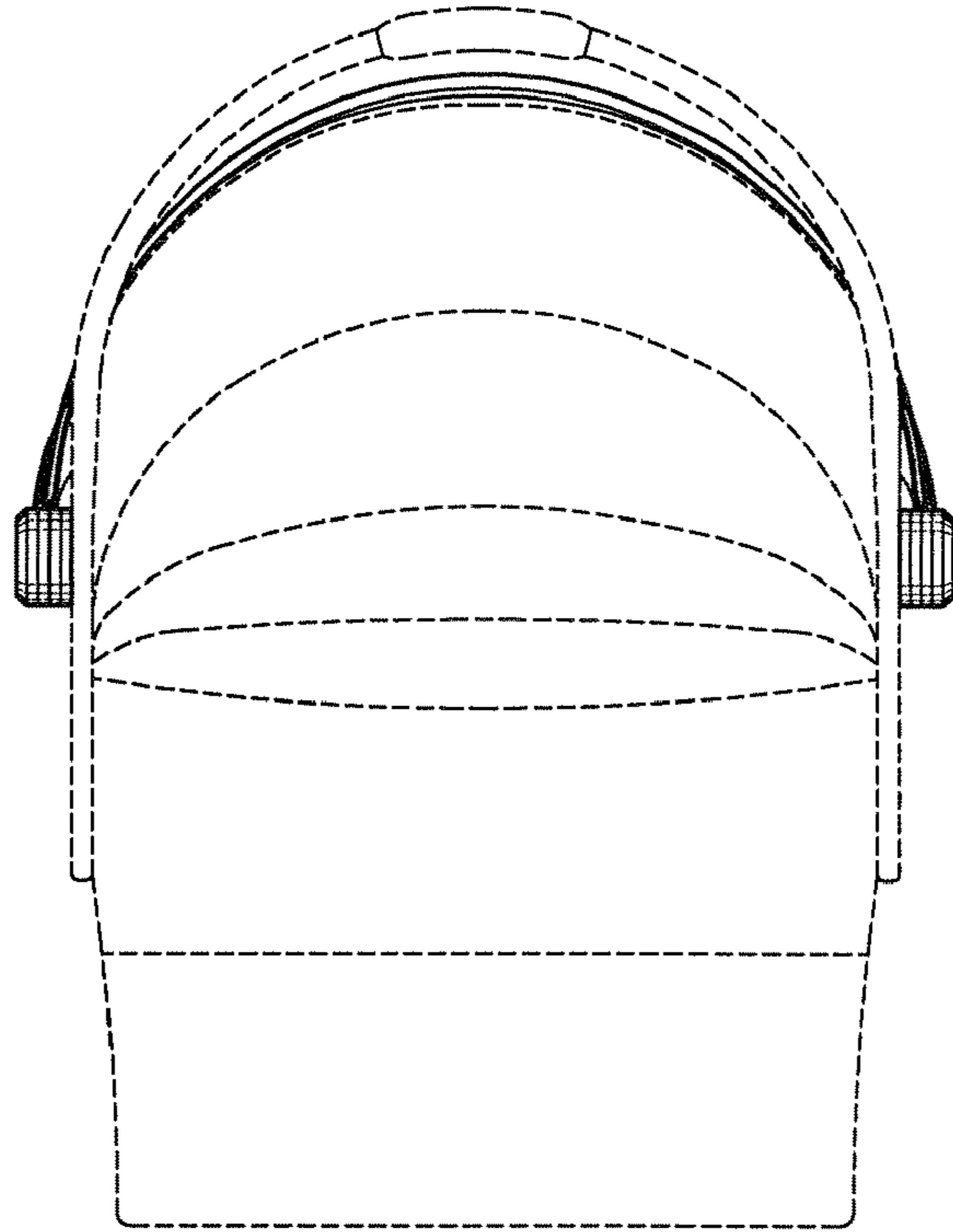


FIG. 4

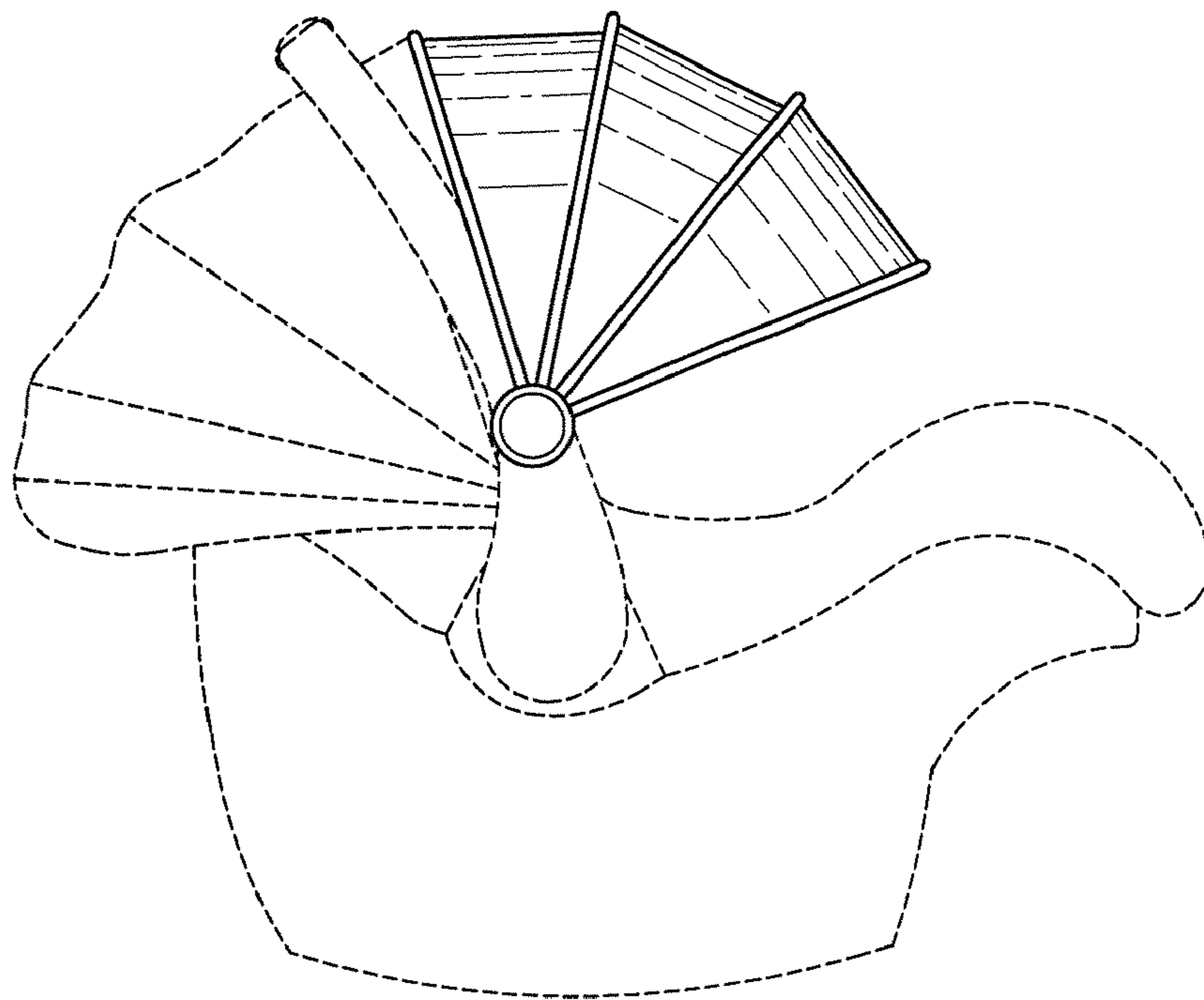


FIG. 5

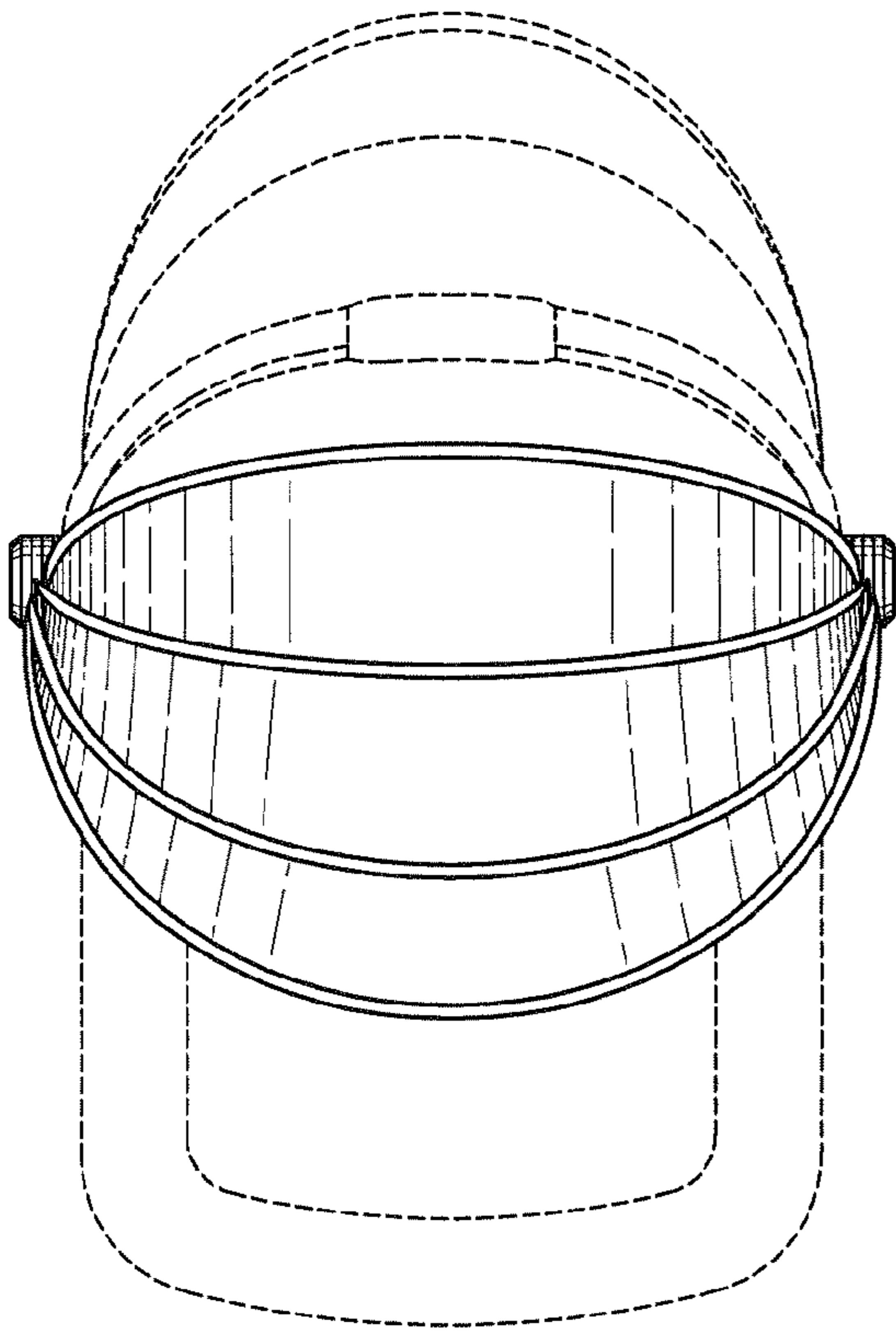


FIG. 6

