



US00D615779S

(12) **United States Design Patent**
Hernandez et al.

(10) **Patent No.:** **US D615,779 S**

(45) **Date of Patent:** **** May 18, 2010**

(54) **POWER STATION FOR PERSONAL ELECTRONIC DEVICES**

(75) Inventors: **Hugo Alonso Hernandez**, Fort Worth, TX (US); **David Michael Herrera**, North Richland Hills, TX (US); **Chad Tyler Wadley**, Frisco, TX (US)

(73) Assignee: **Southwest Airlines Co.**, Dallas, TX (US)

(**) Term: **14 Years**

(21) Appl. No.: **29/320,127**

(22) Filed: **Jun. 20, 2008**

(51) **LOC (9) Cl.** **06-03**

(52) **U.S. Cl.** **D6/480**

(58) **Field of Classification Search** D6/480-489, D6/495-499, 450, 429-431, 511, 422-426; 108/153.1, 155, 156, 50.01, 50.02, 147.19; 312/194-196, 203, 239

See application file for complete search history.

(56) **References Cited**

U.S. PATENT DOCUMENTS

2,748,954	A *	6/1956	Murren	108/91
D313,327	S *	1/1991	Prevedello et al.	D6/484
D352,845	S *	11/1994	Hellwig et al.	D6/422
D377,124	S *	1/1997	Stirling et al.	D6/397
D399,079	S *	10/1998	Hysten	D6/496
D412,415	S *	8/1999	Adler et al.	D6/480
D496,184	S *	9/2004	Sapp	D6/422

D504,253 S * 4/2005 Bouroullec et al. D6/480
2009/0165679 A1 * 7/2009 Bakker et al. 108/50.02

* cited by examiner

Primary Examiner—Janice E Seeger

(74) *Attorney, Agent, or Firm*—Fish & Richardson P.C.

(57) **CLAIM**

The ornamental design for a power station for personal electronic devices, as shown and described.

DESCRIPTION

FIG. 1 is a perspective view of another embodiment of a power station showing the top, front, and right sides of my new design;

FIG. 2 is a second perspective view of the power station of FIG. 1, showing the top, rear, and right sides thereof;

FIG. 3 is a bottom plan view of the power station of FIG. 1;

FIG. 4 is a perspective view of another embodiment of a power station showing the top, front, and right sides of my new design;

FIG. 5 is a second perspective view of the power station of FIG. 4, showing the top, rear, and right sides thereof;

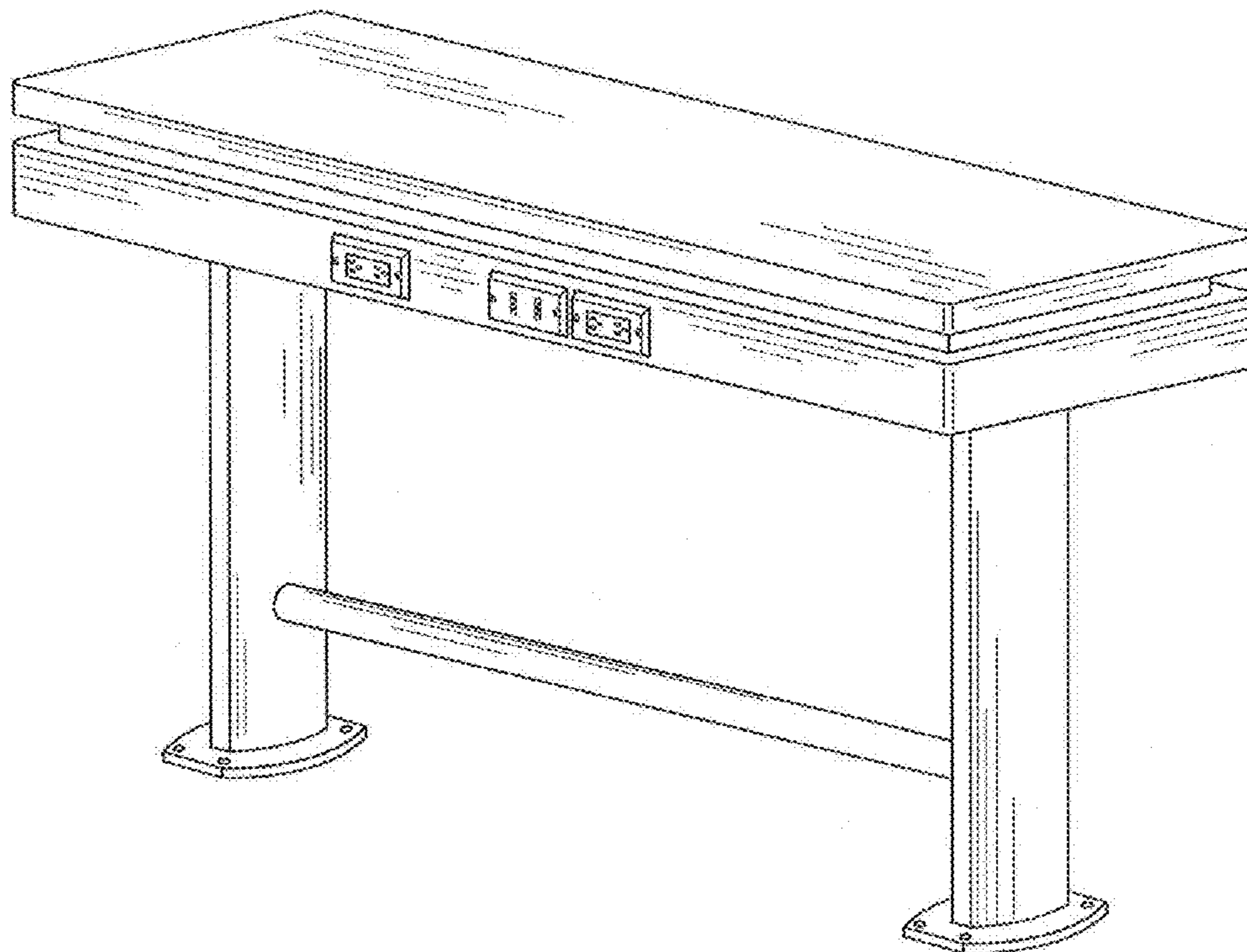
FIG. 6 is a front side view of the power station of FIG. 4;

FIG. 7 is a rear side view of the power station of FIG. 4; and,

FIG. 8 is a bottom plan view of the timepiece of FIG. 4.

The broken lines are for environmental purposes only and form no part of the claimed design.

1 Claim, 8 Drawing Sheets



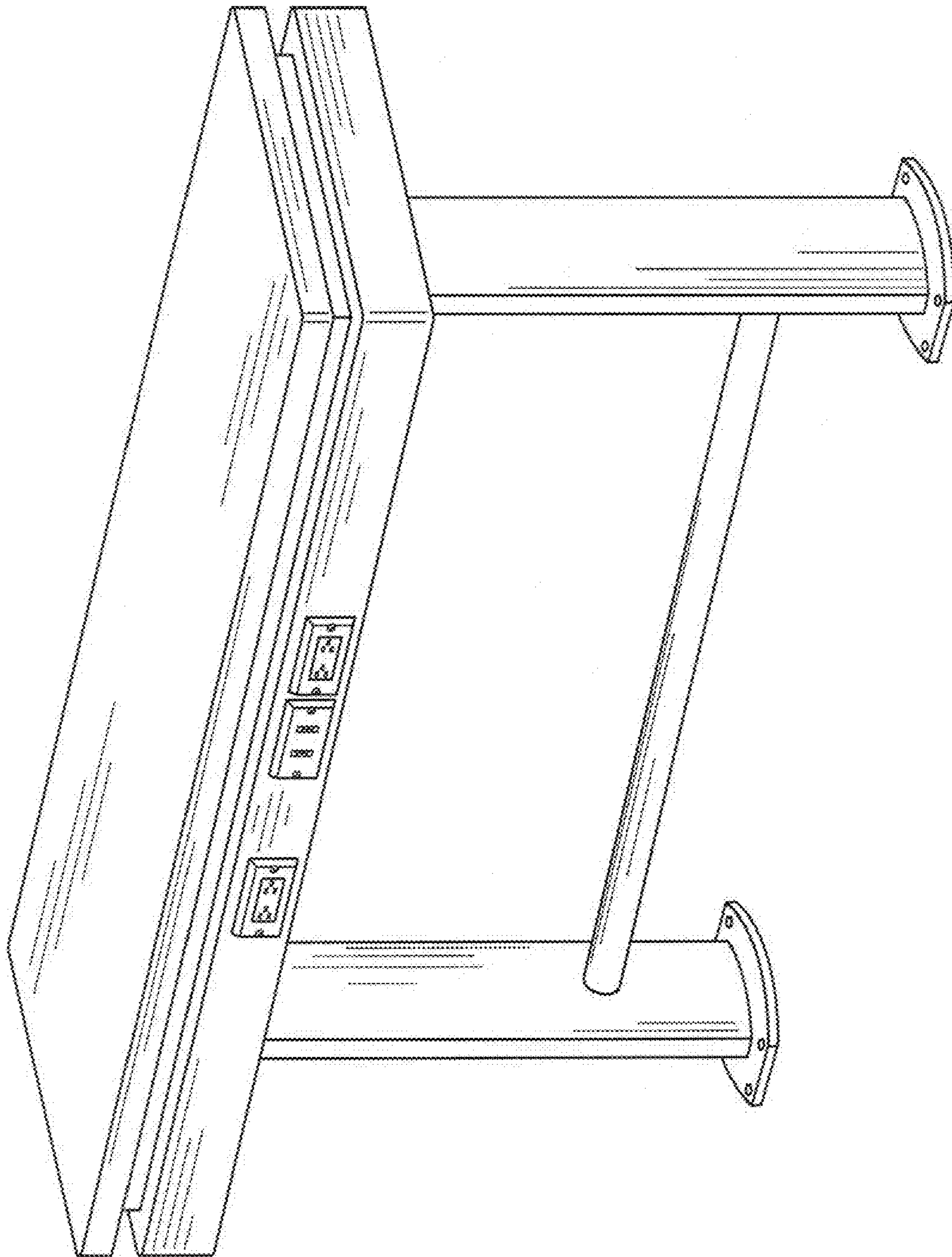


FIG. 1

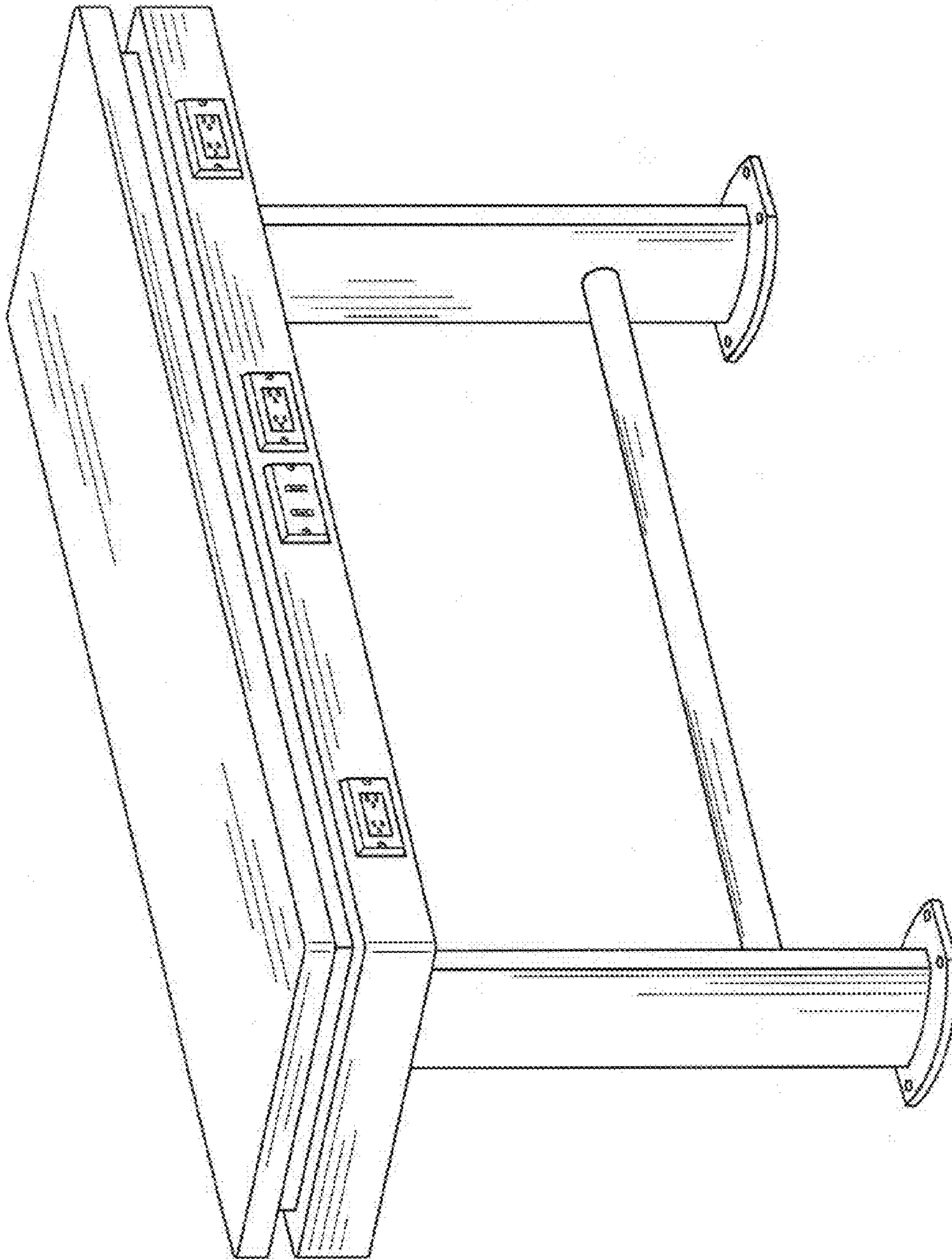


FIG. 2

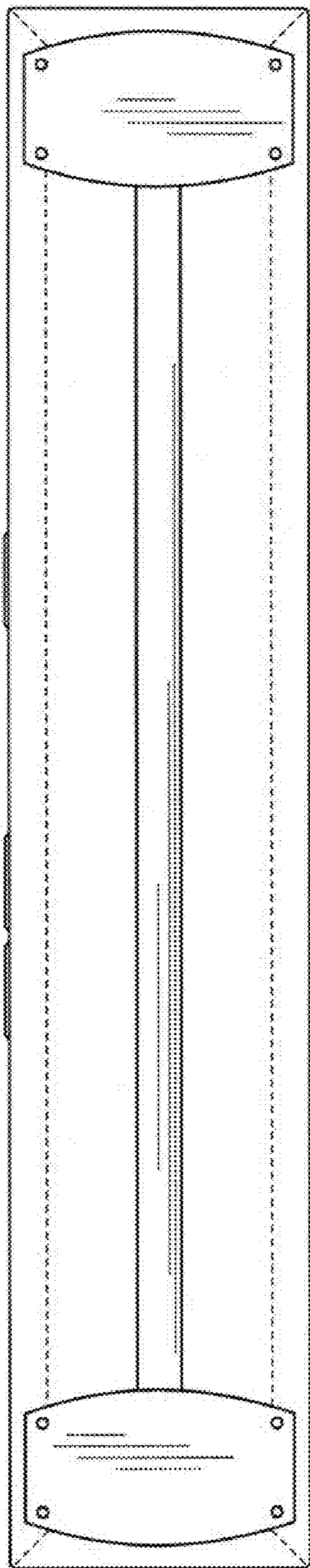


FIG. 3

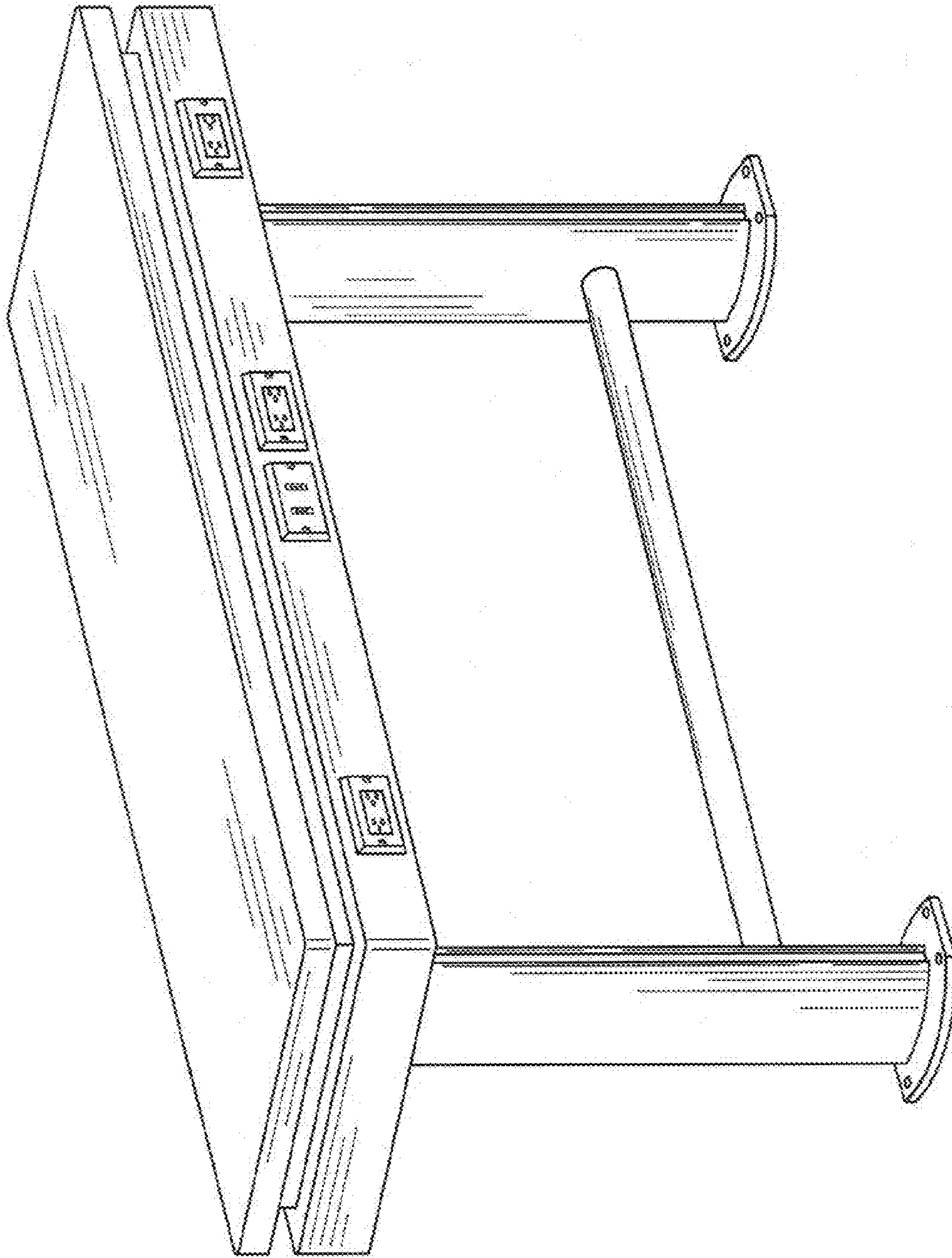


FIG. 5

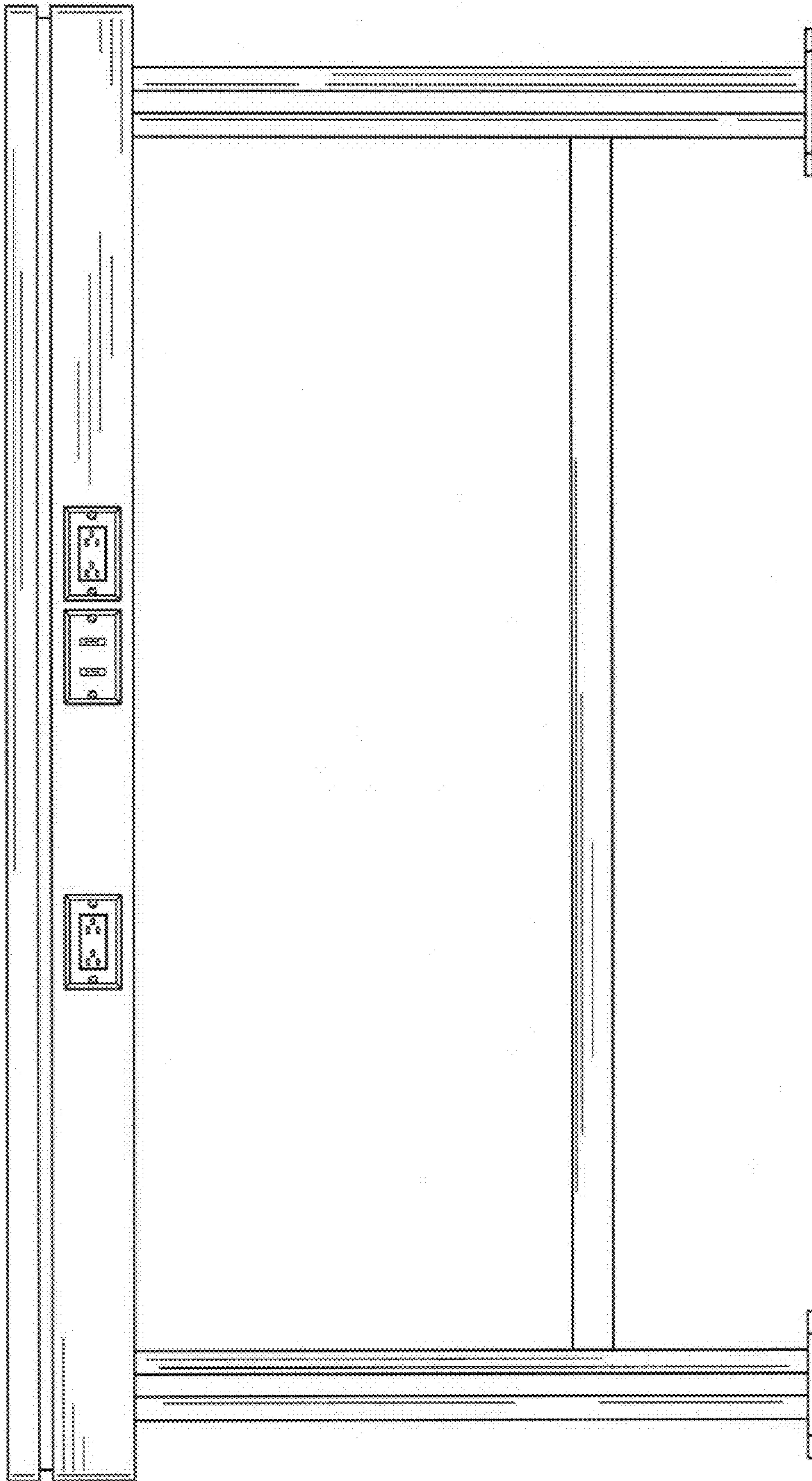


FIG. 6

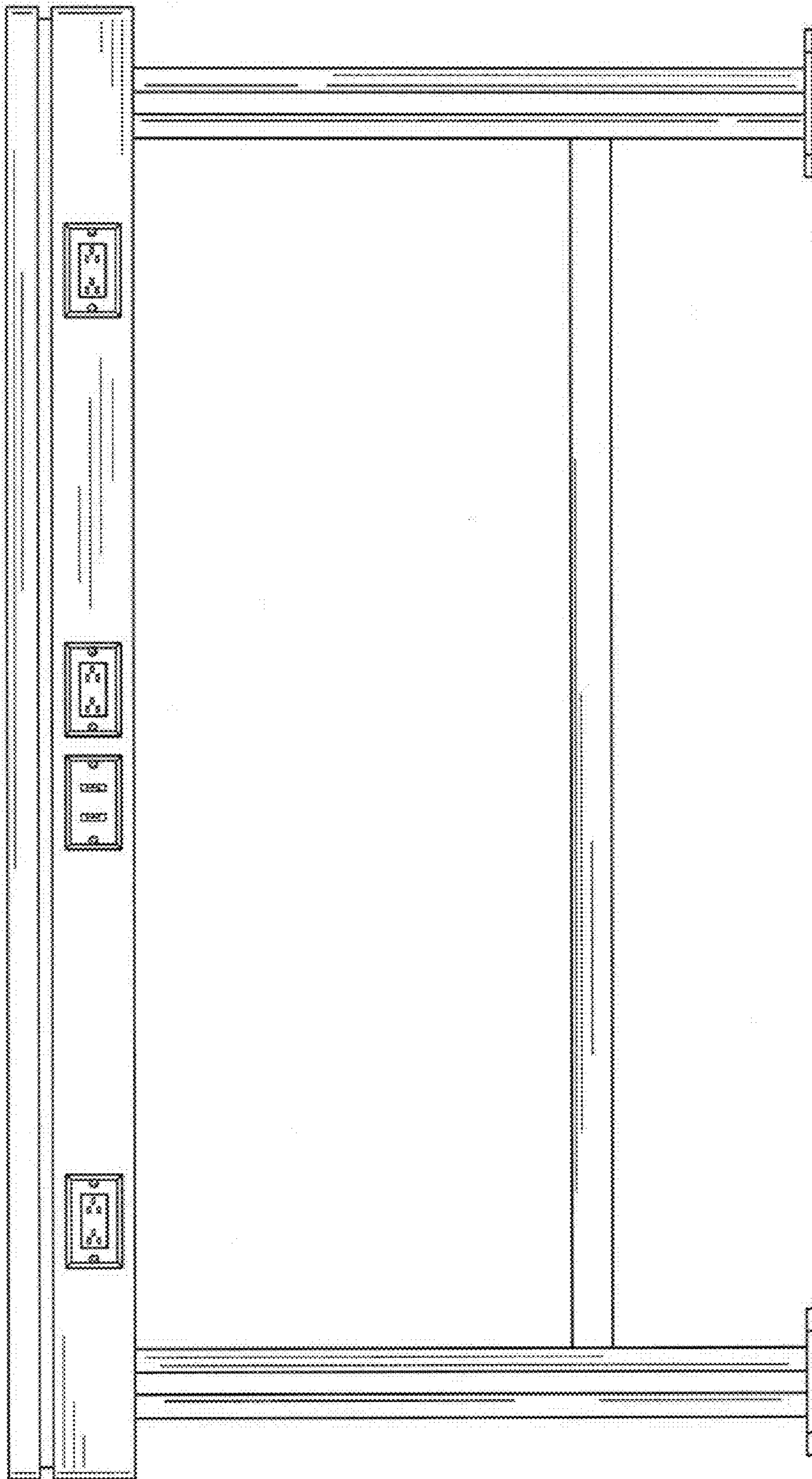


FIG. 7

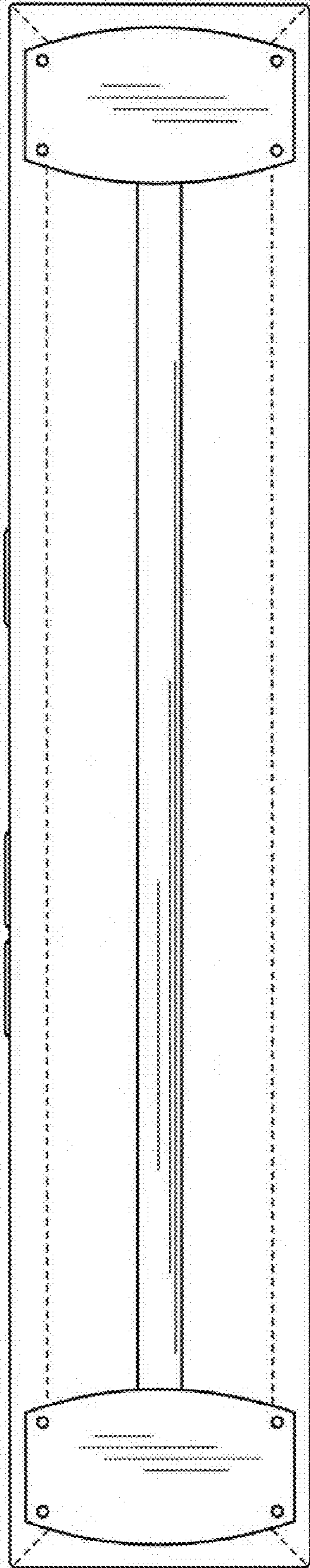


FIG. 8