



US00D615778S

(12) **United States Design Patent**
Schultz

(10) **Patent No.:** **US D615,778 S**

(45) **Date of Patent:** **** May 18, 2010**

(54) **TABLE**

(76) **Inventor:** **Peter Schultz**, 144 Hillcrest Rd., Barto,
PA (US) 19504

(**) **Term:** **14 Years**

(21) **Appl. No.:** **29/315,707**

(22) **Filed:** **Jul. 16, 2009**

(51) **LOC (9) Cl.** **06-03**

(52) **U.S. Cl.** **D6/480; D6/486**

(58) **Field of Classification Search** D6/480-489,
D6/511, 495-499, 429-431, 349; 108/150,
108/152, 153.1, 157.1, 161; 248/188, 188.1,
248/188.7, 188.8; 297/461, 462; D11/155;
D30/114

See application file for complete search history.

(56) **References Cited**

U.S. PATENT DOCUMENTS

D232,610 S * 9/1974 Petersen D6/479

D274,676 S * 7/1984 Massonnet D6/349
D366,450 S * 1/1996 Rabito D11/155
D546,589 S * 7/2007 Kreiss D6/484

* cited by examiner

Primary Examiner—Janice E Seeger
(74) *Attorney, Agent, or Firm*—Thomas A. O'Rourke;
Bodner & O'Rourke, LLP

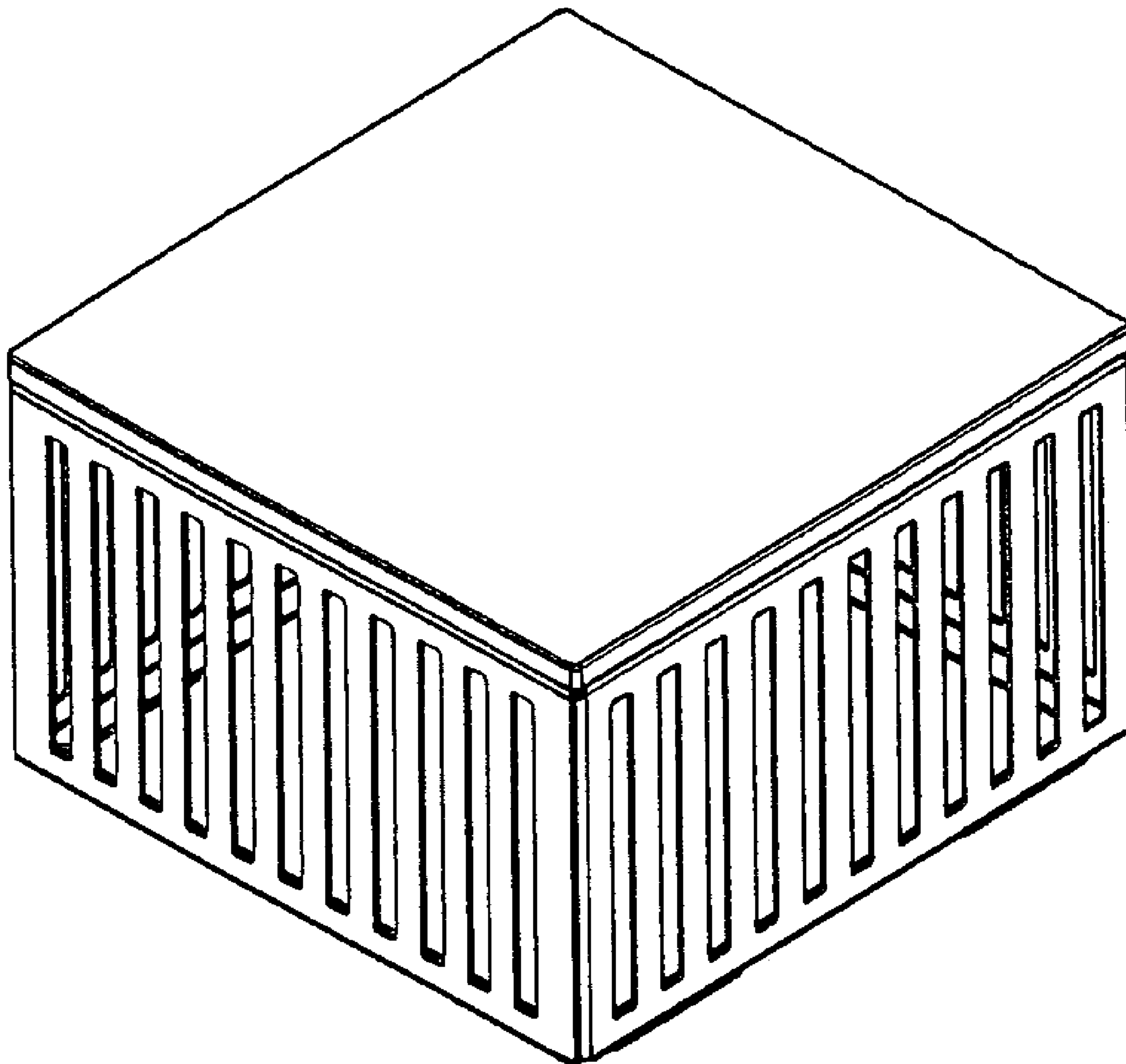
(57) **CLAIM**

The ornamental design for a table, as shown and described.

DESCRIPTION

FIG. 1 is a perspective view of a table of the present invention;
FIG. 2 is front and back view of a table of the present inven-
tion;
FIG. 3 is a side view of a table of the present invention;
FIG. 4 is a top view of a table of the present invention; and,
FIG. 5 is a bottom view of a table of the present invention.

1 Claim, 5 Drawing Sheets



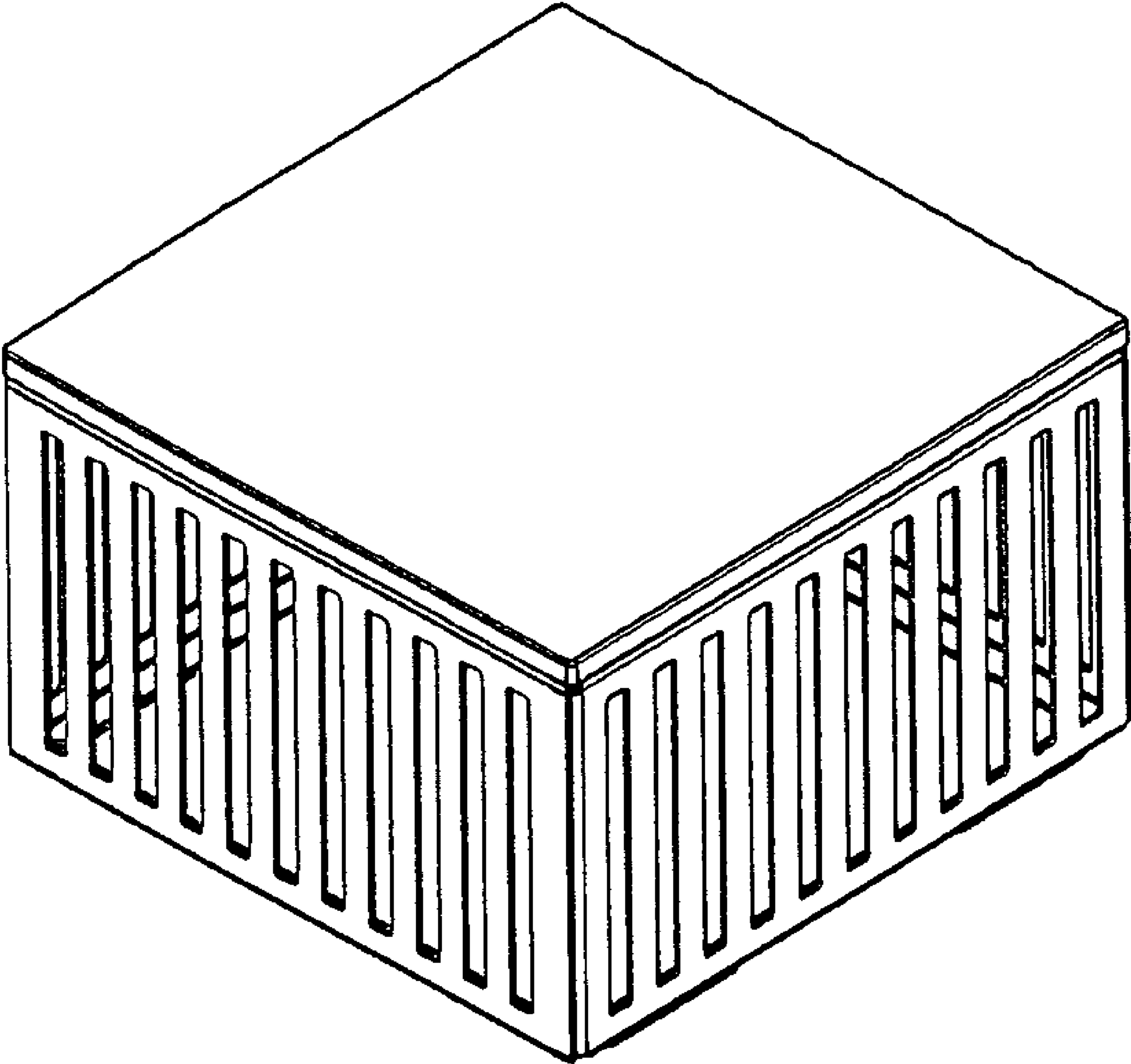


Fig. 1

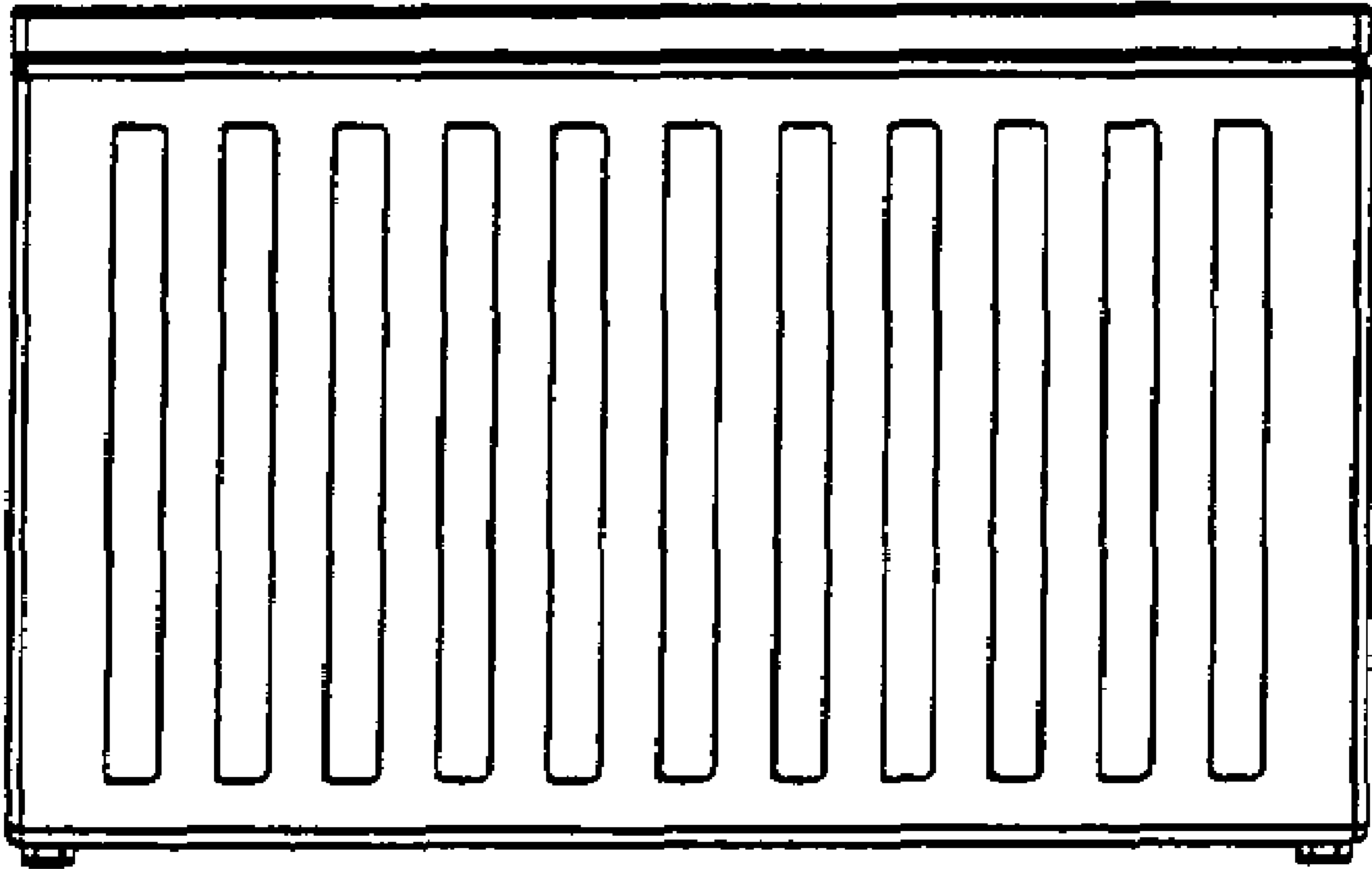


Fig. 2

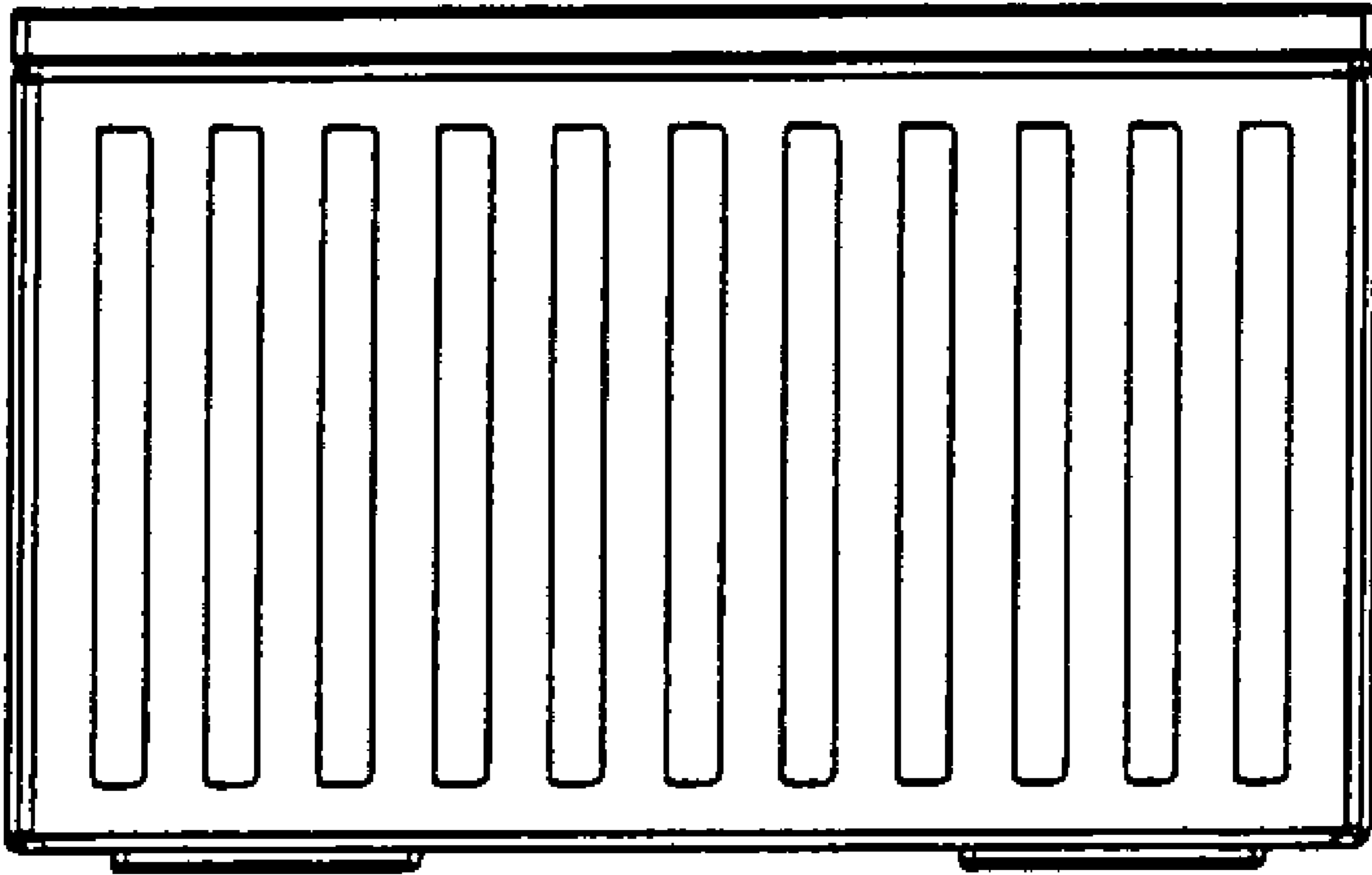


Fig. 3

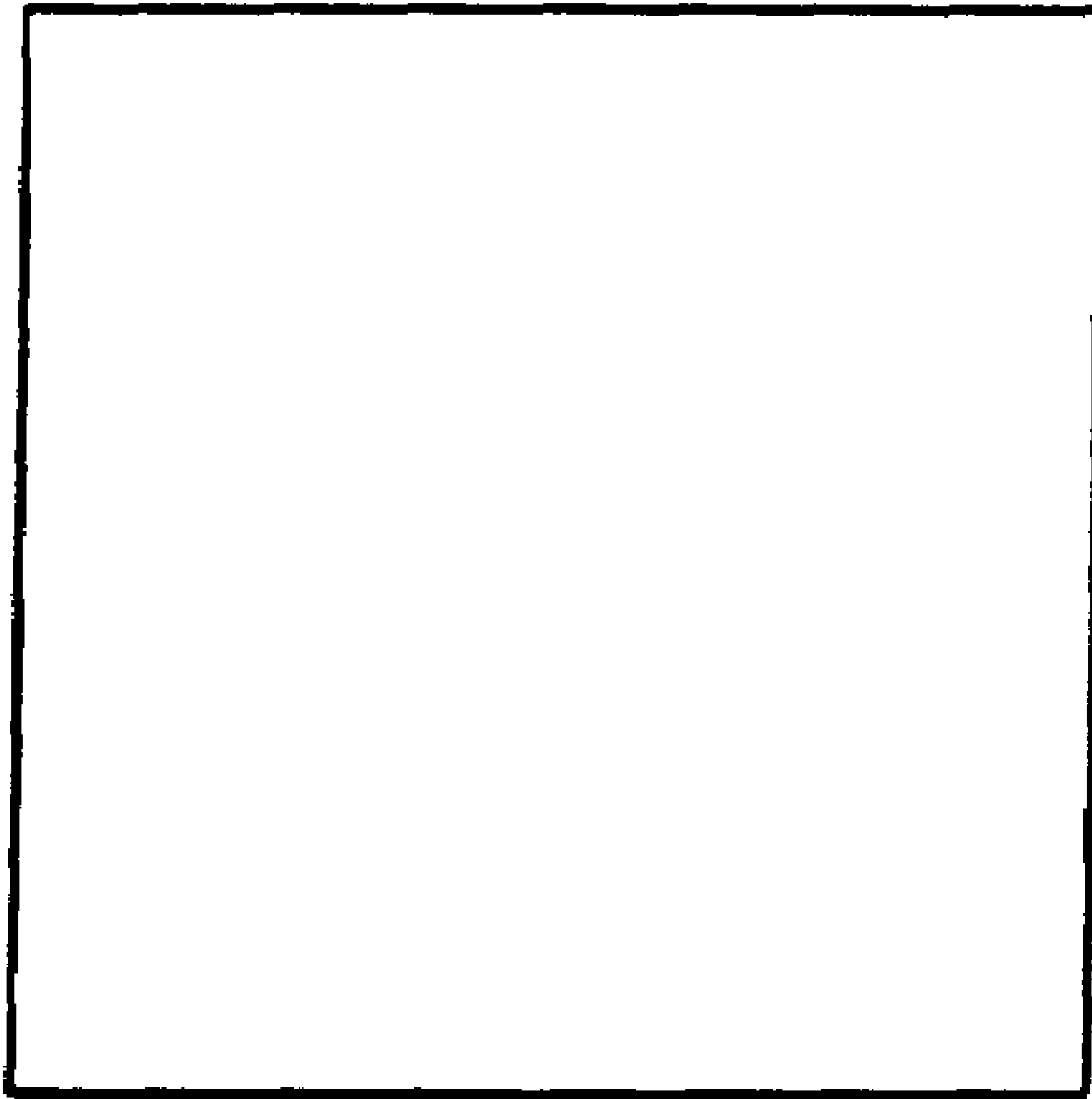


Fig. 4

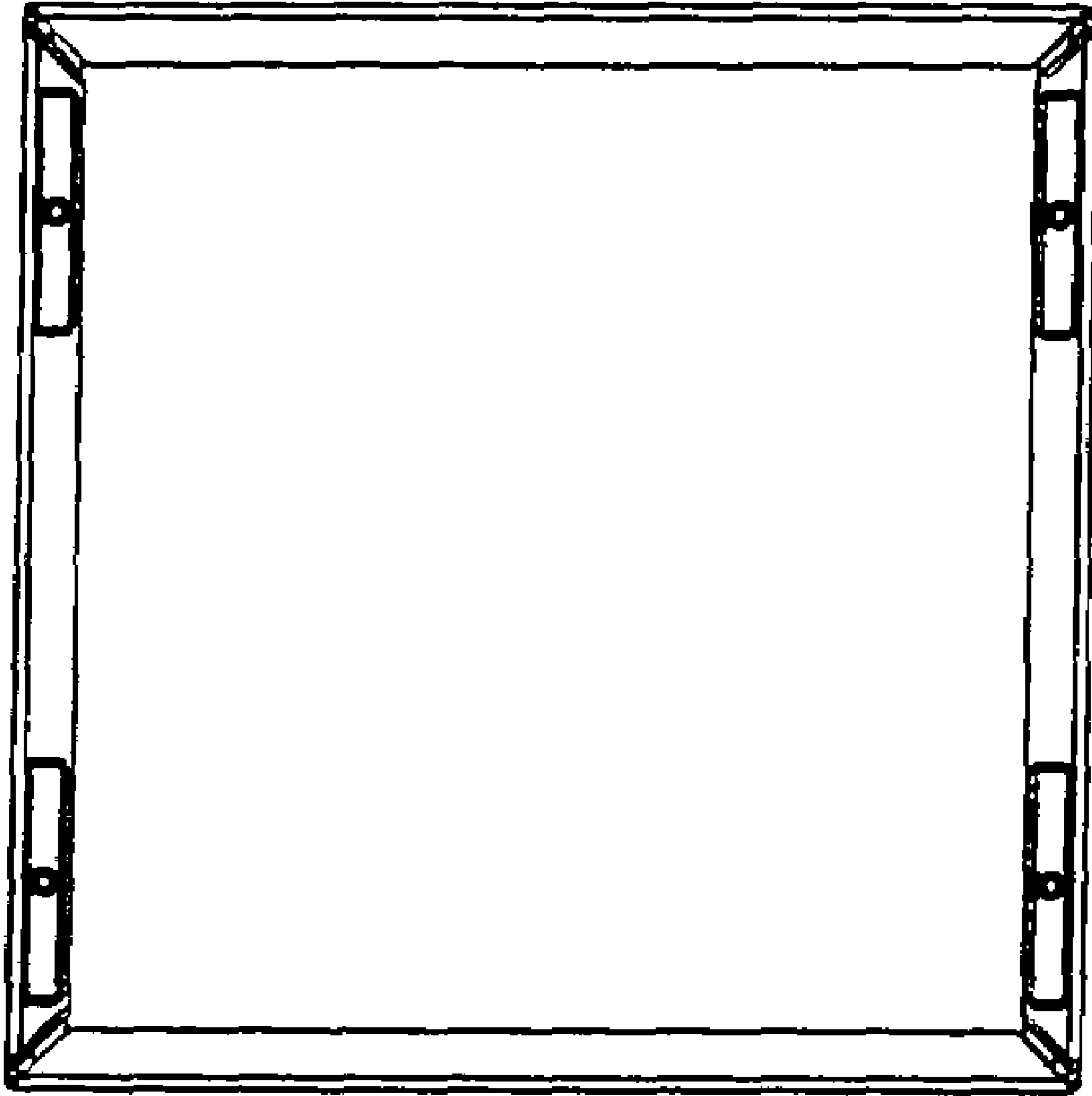


Fig. 5